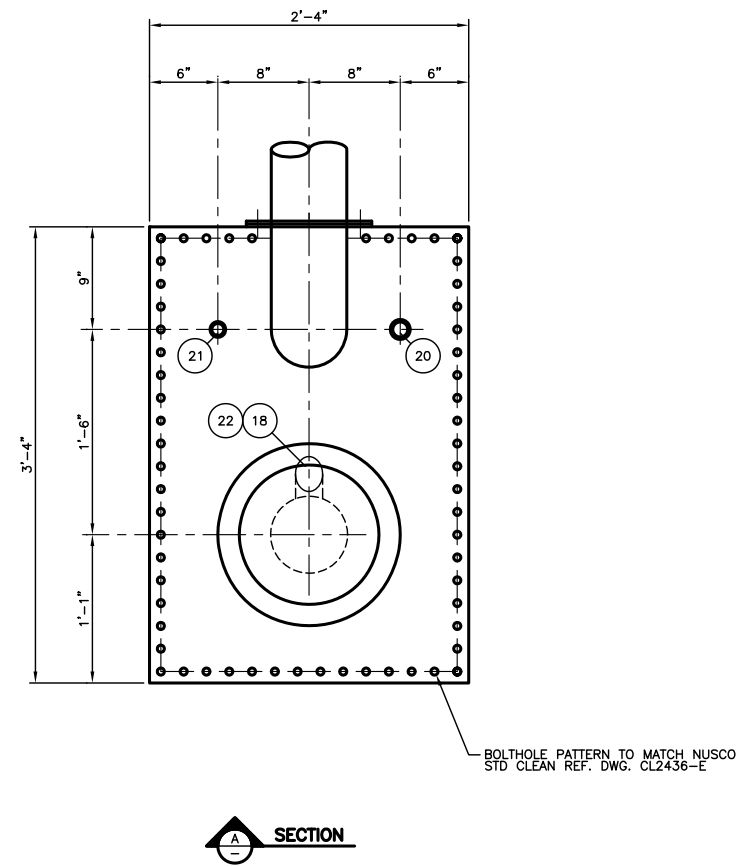
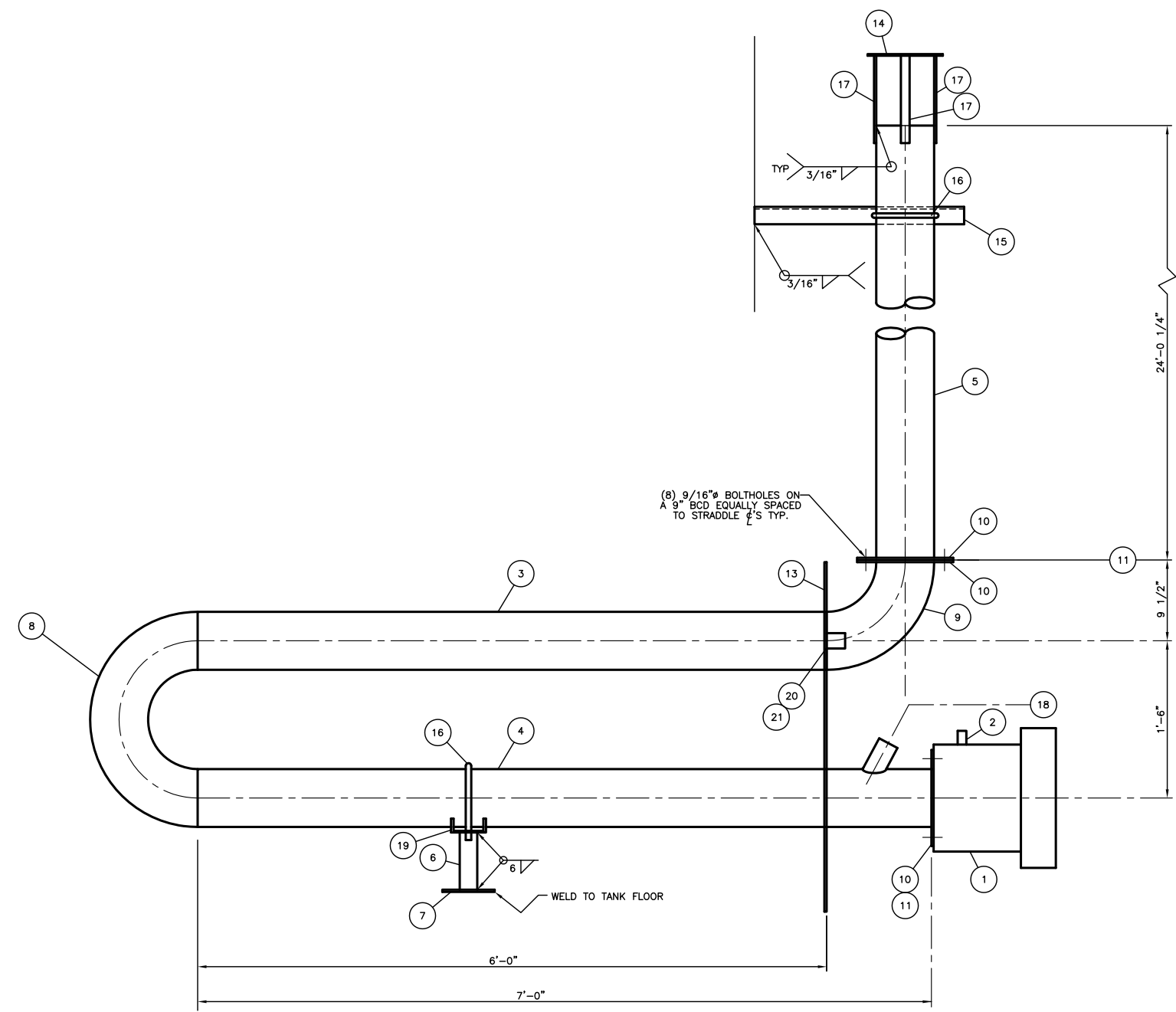


MATERIAL LIST				
ITEM	QTY	PART	DESCRIPTION	MATERIAL
1	1	FLAME ARRES.	FLAME ARRESTOR 100,000 BTUH NOM DUTY	
2	1	MANIFOLD	NUSCO SHOP FAB GAS MANIFOLD ASSEMBLY	
3	1	PIPE	6" SCH STD SMLS PIPE x 6'-0" LG	A-106B
4	1	PIPE	6" SCH STD SMLS PIPE x 7'-0" LG	A-106B
5	1	PIPE	6" 0.188W ERW PIPE x 24'-0" LG	A-53B
6	1	PIPE	2" SCH STD SMLS PIPE x 4" LG (SHOP CHECK)	A-106B
7	1	REPAD	6" DIA. x 1/4" THK	A-36
8	1	RETURN BEND	6" SCH STD LRBW 180° RETURN BEND	A234WPB
9	1	ELBOW	6" SCH STD LRBW 90° ELL	A234WPB
10	3	FLANGE	11" OD x 1/4" PL x 6 3/4" ID (DRILL-PF-6)	A-36
11	2	GASKET	11" OD x 1/8" THK GASKET x 6 3/4" ID	GARLOCK
12				
13	1	MANWAY COVER	STD 24" x 36" CLEANOUT COVER PLATE	
14	1	PLATE	8 5/8" OD x 3/16" PL	A-36
15	1	SUPPORT	NUSCO STD. SMOKE STACK BRACKET (DWG. BRKT-A)	
16	2	U-BOLT	6" Ø "U" BOLT c/w 4 NUTS	C.S.
17	3	SUPPORT	1" x 3/16" FB x 10" LG	A-36
18	1	IGNITOR	2" SCH STD SMLS PIPE x 4" LG (TOE,BOE)	A-106B
19	1	SUPPORT	C4 x 5.4# x 8" LG (COPE TO 6" NPS)	G-300W
20	1	COUPLING	1" NPT RL FULL COUPLING	API-5L
21	1	COUPLING	3/4" NPT RL FULL COUPLING	API-5L
22	1	CAP	2" NPT MALABLE CAP	MAL. IRON
23				



- NOTES:**
- 1) FOR GAS MANIFOLD ASSEMBLY SEE REFERENCE DRAWING T2199-001 (SHIPPED LOOSE).
 - 2) APPROX. WEIGHT 750 LBS.
 - 3) USE WELD PROCEDURE NM-1 WITH A 3/16" FILLET WELD FOR ATTACHEMENT WELDS UNLESS OTHERWISE NOTED.
 - 4) 10% X-RAY.
 - 5) RUSTOLEUM 906 OR EQUIVALENT TO EXTERIOR OF FIRETUBE COVERPLATE.
 - 6) AIR TEST FIRETUBE TO 5 PSIG.

I	NM-1	II	NM-1/NPS-3 OR 13	III	NM-1, 3 OR 7	IV	NM-1
	PLATE FLANGES TO PIPE WELDS		FITTING TO PIPE		PIPE OR FITTING THRU PLATE		PIPE THRU PIPE

THIS DRAWING IS THE PROPERTY OF NUSCO MANUFACTURING & SUPPLY LTD. AND IS LENT TO THE RECIPIENT FOR THEIR CONFIDENTIAL USE ONLY. IN CONSIDERATION OF THE LOAN OF THIS DRAWING, THE RECIPIENT AGREES THAT IT SHALL NOT BE USED IN ANY WAY DETRIMENTAL TO THE INTERESTS OF NUSCO MANUFACTURING & SUPPLY LTD. THAT IT SHALL BE RETURNED UPON REQUEST AND THAT IT SHALL NOT BE REPRODUCED, COPIED, LENT OR OTHERWISE DISPOSED OF DIRECTLY OR INDIRECTLY WITHOUT THE WRITTEN PERMISSION OF NUSCO MANUFACTURING & SUPPLY LTD.

REV	DATE	REV BY	APP'D BY	DESCRIPTION
0	03/10/31	DB		ISSUED FOR CONSTRUCTION
REVISIONS				

NUSCO SUPPLY & MANUFACTURING INC.

CUSTOMER: **HUSKY OIL OPERATIONS**
c/o BDR ENGINEERING LTD.

TITLE: **6" DIAMETER "U" TYPE FIRE TUBE FOR 24'-0" HIGH TANK**

LOCATION: **SPRING CREEK COMPRESSOR STATION**

QUOTATION FILE NO.: **T0322-03Q01**

TAG: **T-710**

DATE: 06/02/07

SCALE: 1 1/2"=1'-0"

W.D. NO.: **007182-70**

DRWG. NO.: **T2199-800**

REV: **0**