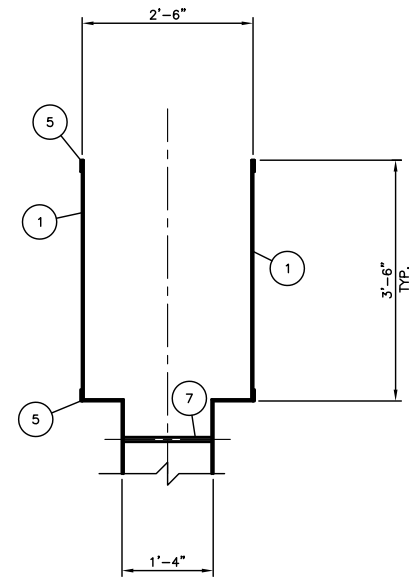
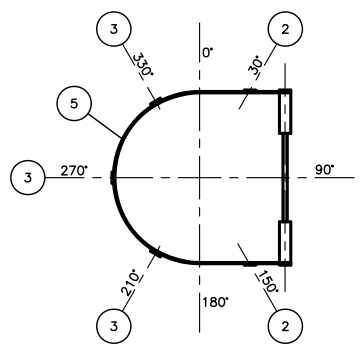


MATERIAL LIST

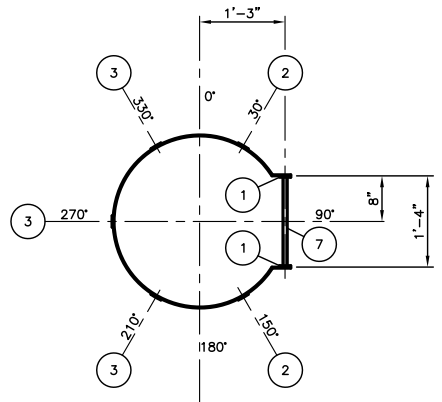
ITEM	QTY	PART	DESCRIPTION	MATERIAL
1	2	RUNNER	2" x 1/4" FB x 28'-1" LG	A-36
2	2	CAGE BAR	1" x 3/16" FB x 19'-8" LG	A-36
3	3	CAGE BAR	1" x 3/16" FB x 19'-6" LG	A-36
4	4	HOOP	2" x 3/16" FB x 7'-2" LG (ROLL TO 30" ID)	A-36
5	2	HOOP BAR	2" x 3/16" FB x 6'-6" LG	A-36
6				
7	24	RUNGS	3/4"φ RB x 15 1/2" LG	A-36
8	8	CLIP	STD. LADDER CLIP (DWG. CLIP-A)	
9	8	BOLT	1/2"φ x 1 1/2" LG CAP SCREW c/w (1) NUT EACH	CAD PLATED
10				



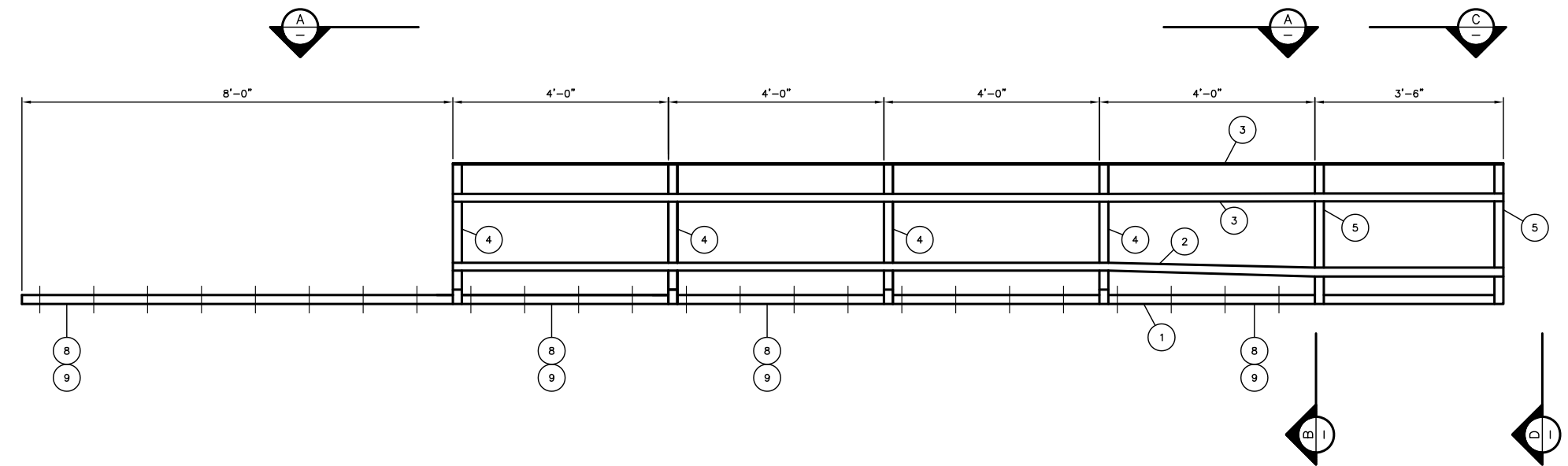
SECTION C



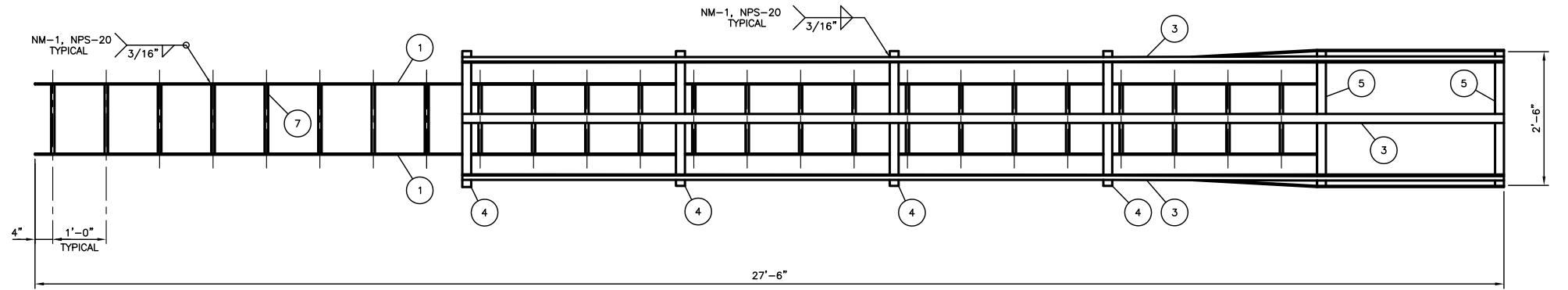
SECTION D



SECTION B



SECTION A



NOTE:
ESTIMATED WEIGHT: 256 Lb.

THIS DRAWING IS THE PROPERTY OF NUSCO MANUFACTURING & SUPPLY LTD. AND IS LENT TO THE RECIPIENT FOR THEIR CONFIDENTIAL USE ONLY. IN CONSIDERATION OF THE LOAN OF THIS DRAWING, THE RECIPIENT AGREES THAT IT SHALL NOT BE USED IN ANY WAY DETRIMENTAL TO THE INTERESTS OF NUSCO MANUFACTURING & SUPPLY LTD. THAT IT SHALL BE RETURNED UPON REQUEST AND THAT IT SHALL NOT BE REPRODUCED, COPIED, LENT OR OTHERWISE DISPOSED OF DIRECTLY OR INDIRECTLY WITHOUT THE WRITTEN PERMISSION OF NUSCO MANUFACTURING & SUPPLY LTD.

REV	DATE	REV BY	APP'D BY	DESCRIPTION
0	03/10/31	DB		ISSUED FOR CONSTRUCTION
REVISIONS				

NUSCO SUPPLY & MANUFACTURING INC.

CUSTOMER: HUSKY OIL OPERATIONS
c/o BDR ENGINEERING LTD.

TITLE: STANDARD 24'-0" HIGH CAGED LADDER TAG: T-710

LOCATION: SPRING CREEK COMPRESSOR STATION QUOTATION FILE No. T0322-03Q01

APPR: DATE: 98/05/12 SCALE: 3/4"=1'-0" W.O. NO. 007182-40 DRWG. NO. T2199-802 REV 0