

LEGEND

- ACT GOVERNOR ACTUATOR
- ALM ALARM SILENCE SWITCH
- ALS ALTERNATOR
- ALT DC VOLTMETER
- DCV DC VOLTMETER
- EC ENGINE CONTROL KASSEC
- ECS ENGINE CONTROL SWITCH
- ESL EMERGENCY STOP LED
- ESP EMERGENCY STOP PUSHBUTTON
- F1 PANEL FUSE ABC 10 AMP
- FS FUEL SOLENOID
- GEN GENERATOR
- GND GROUND
- GOV GOVERNOR
- HTE HIGH ENGINE TEMPERATURE LED
- HTS HIGH ENGINE TEMPERATURE SWITCH
- K1 ENGINE RUN RELAY
- K2 ENGINE FAIL RELAY
- LWL LOW WATER LEVEL PROBE
- MPU MAGNETIC PICKUP
- DCL ENGINE OVERCRANK LED
- OPL OIL PRESSURE GAUGE
- OPG OIL PRESSURE GAUGE SENDER
- OPR LOW OIL PRESSURE LED
- OPS LOW OIL PRESSURE SWITCH
- OS OVERSPEED SWITCH SM 124
- OSL ENGINE OVERSPEED LED
- PTT PRESS TO TEST
- PV PRIMER VALVE
- R1 200 OHM RESISTOR
- RIM RUNNING TIME METER
- SM STARTER MOTOR
- SMC STARTER MOTOR COIL PILOT RELAY
- SMS STARTER MOTOR SOLENOID
- TB1 TERMINAL BOARD 1
- WTG WATER TEMPERATURE GAUGE
- WTRGS WATER TEMPERATURE GAUGE SENDER

NOTE:

1. WIRE NUMBERS ARE IN PARENTHESES.
2. ENGINE WIRING IS #16 GA UNLESS OTHERWISE SPECIFIED.
3. CONTROL PANEL WIRING IS #20 GA UNLESS OTHERWISE SPECIFIED.
4. ENGINE CONTROL SWITCH IS IN OFF POSITION.
5. R1 ONLY USED ON 24 V UNITS.
6. EC AND OS ARE AC AND DC DEVICES. SEE AC DIAGRAM.
7. SHORT DASHED LINES (-----) INDICATE CUSTOMER CONNECTION OR OPTIONAL EQUIPMENT.
8. BATTERY CHARGER FUSE ONLY WHEN SUPPLIED OR REQUIRED BY CHARGER MANUFACTURER.
9. REMOTE ANNUNCIATOR IS OPTIONAL EQUIPMENT. CHECK BILL OF MATERIALS.

SPECIAL NOTE
TO MINIMIZE ANY ELECTRICAL NOISE BEING INTRODUCED INTO THE ENGINE CONTROLLER, CONTROL WIRING AND AC POWER LINES NEED TO BE RUN IN SEPARATE CONDUITS.

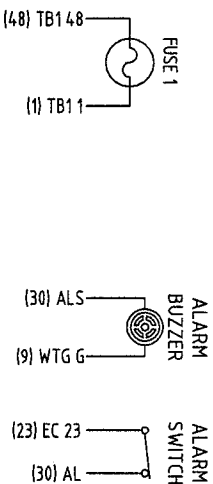
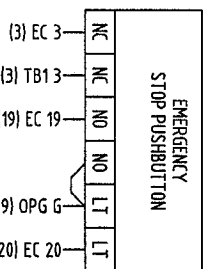
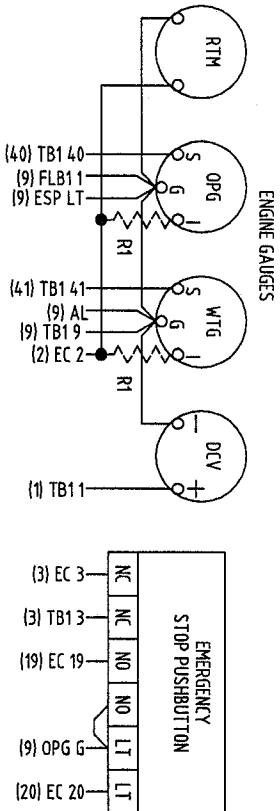
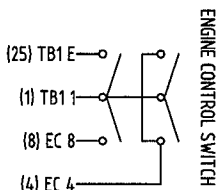
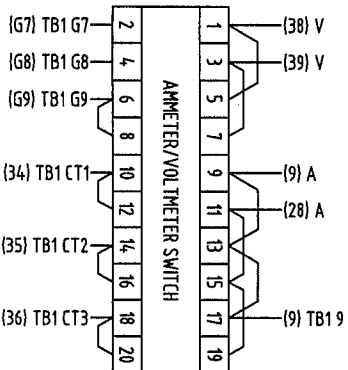
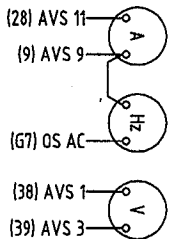
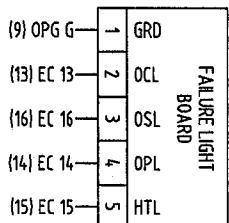
THIS DRAWING IS PROPERTY OF KATOLIGHT CORPORATION AND IS INTENDED FOR USE WITH OUR VENDERS AND CUSTOMERS. ANY CHANGES/MODIFICATIONS BY OTHERS MAY VOID DRAWING. DRAWING CHANGES MUST BE DONE BY KATOLIGHT AND MAY BE DONE SO AT ANYTIME.

KATOLIGHT
HANKATO, MINNESOTA

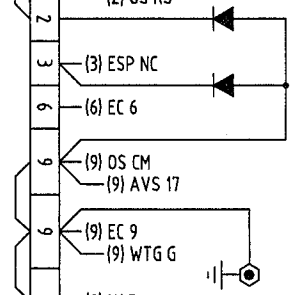
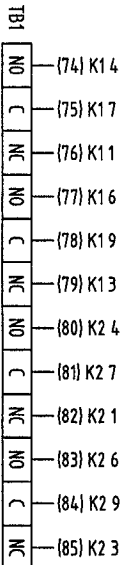
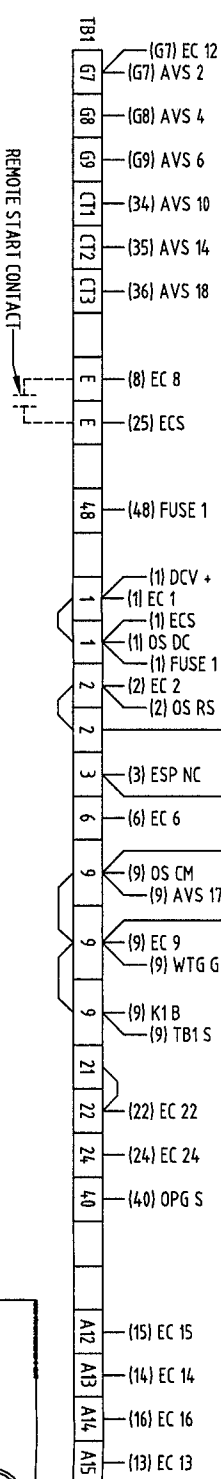
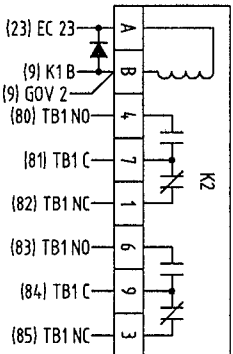
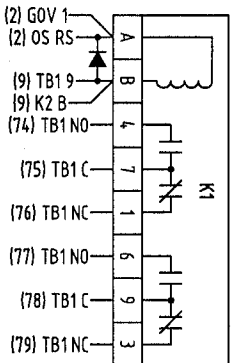
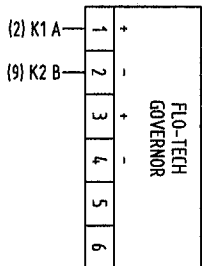
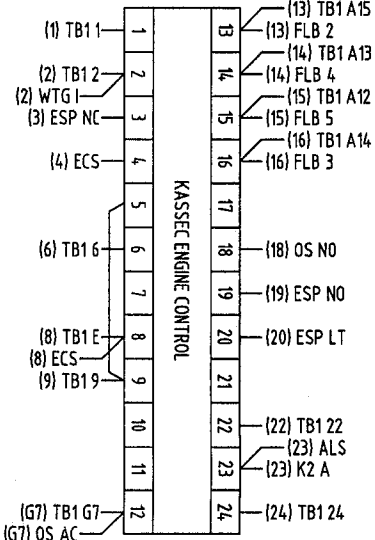
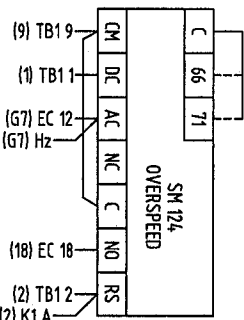
DC LADDER DIAGRAM

SIZE	DATE	DWG NO	
B	4-5-2005	819-B-15571	
DESCRIPTION	45K GTA 83	DWN BY	ECG SHEET 1 OF 1

PANEL DOOR



PANEL BACK



AMMETER/VOLTMETER SELECTOR SWITCH

	1	3	5	7	9	11	13	15	17	19
OFF	2	4	6	8	10	12	14	16	18	20
L1 1-2	X	X				X	X	X	X	X
L2 2-3			X	X						
L3 3-1	X				X	X	X	X	X	X

- LEGEND
- A AMMETER
 - AL ALARM BUZZER
 - ALS ALARM SILENCE SWITCH
 - AVS AMMETER/VOLTMETER SELECTOR SWITCH
 - DCV DC VOLTMETER
 - EC ENGINE CONTROL KASSEC
 - ECS ENGINE CONTROL SWITCH
 - ESP EMERGENCY STOP PUSHBUTTON
 - FLB FAILURE LIGHT BOARD
 - GOV GOVERNOR
 - HTL HIGH ENGINE TEMPERATURE LED
 - HZ FREQUENCY METER
 - IT ISOLATION X-FORMER
 - K1 ENGINE RUN RELAY
 - K2 ENGINE FAIL RELAY
 - OCL ENGINE OVERCRANK LED
 - OPG OIL PRESSURE GAUGE
 - OS LOW OIL PRESSURE LED
 - OSL OVERSPEED SWITCH SM 124
 - R1 200 OHM RESISTOR
 - RTM RUNNING TIME METER
 - TB1 TERMINAL BOARD 1
 - V VOLTMETER
 - WTG WATER TEMPERATURE GAUGE

- NOTES:
1. FUSE #1 (PANEL) ABC 10A.
 2. ALL WIRE NUMBERS ARE IN PARENTHESIS.
 3. USE #20GA WIRE ON ALL DEVICES UNLESS OTHERWISE SPECIFIED.
 4. R1 USED ONLY ON 24V UNITS.

THIS DRAWING IS PROPERTY OF KATOLIGHT CORPORATION AND IS INTENDED FOR USE WITH OUR VENDERS AND CUSTOMERS. ANY CHANGES/MODIFICATIONS BY OTHERS MAY VOID DRAWING. DRAWING CHANGES MUST BE DONE BY KATOLIGHT AND MAY BE DONE SO AT ANYTIME.

KATOLIGHT
MANKATO, MINNESOTA

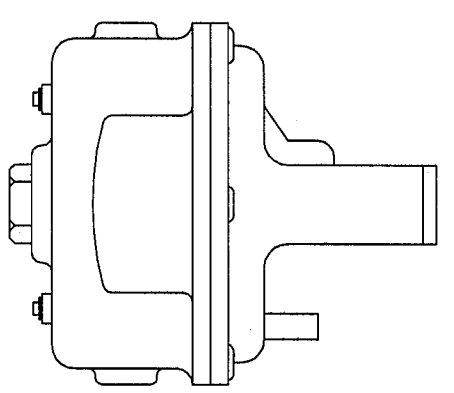
POINT TO POINT DIAGRAM

SIZE	DATE	DWG NO	
B	5-31-2005	819-B-15735	
DESCRIPTION	45K, GTA 8.3 & 14	DWN BY	PMM
		SHEET	1 OF 1

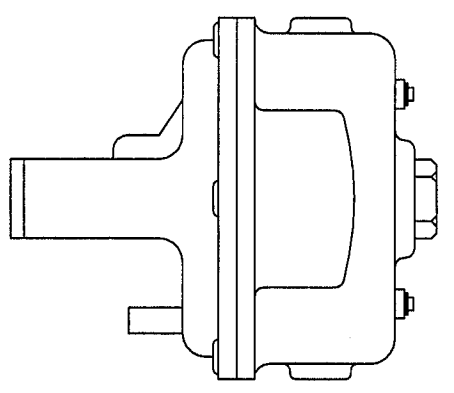
THIS DRAWING IS PROPERTY OF KATOLIGHT CORPORATION AND IS INTENDED FOR USE WITH OUR VENDERS AND CUSTOMERS. ANY CHANGES/MODIFICATIONS BY OTHERS MAY VOID DRAWING. DRAWING CHANGES MUST BE DONE BY KATOLIGHT AND MAY BE DONE SO AT ANYTIME.

ENERGIZE TO RUN		GROUND
CONTROL PANEL	+ TERMINAL #	-TERMINAL
40 & 50 SERIES	TERMINAL #2	9
KDGC-2000/2001	* TERMINAL #2	* 9
KGM-250	TERMINAL #2	9
KDGC-500	TERMINAL #2	9

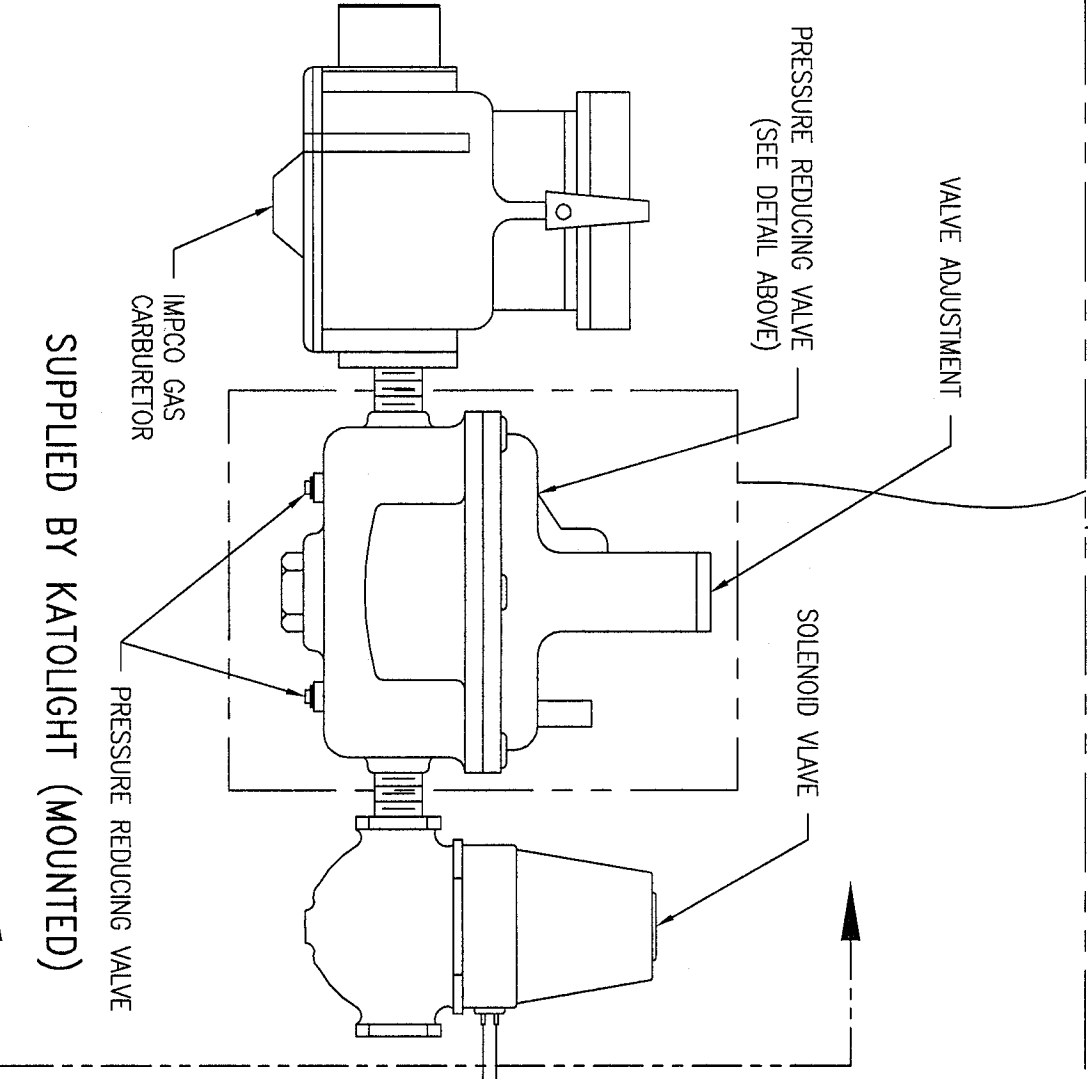
* SEE ELECTRICAL SCHEMATIC FOR PROPER TERMINALS NUMBERS USED FOR FUEL SOLENOID WIRING



NATURAL GAS



LP VAPOR



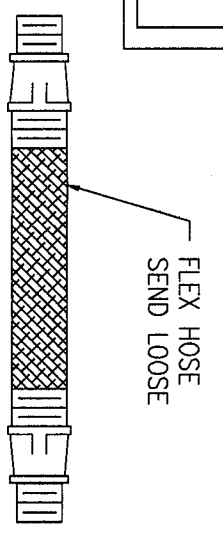
SUPPLIED BY KATOLIGHT (MOUNTED)

IMPCO GAS CARBURETOR

PRESSURE REDUCING VALVE

TO ENERGIZE TO RUN CIRCUIT (SEE CHART FOR TERMINAL)

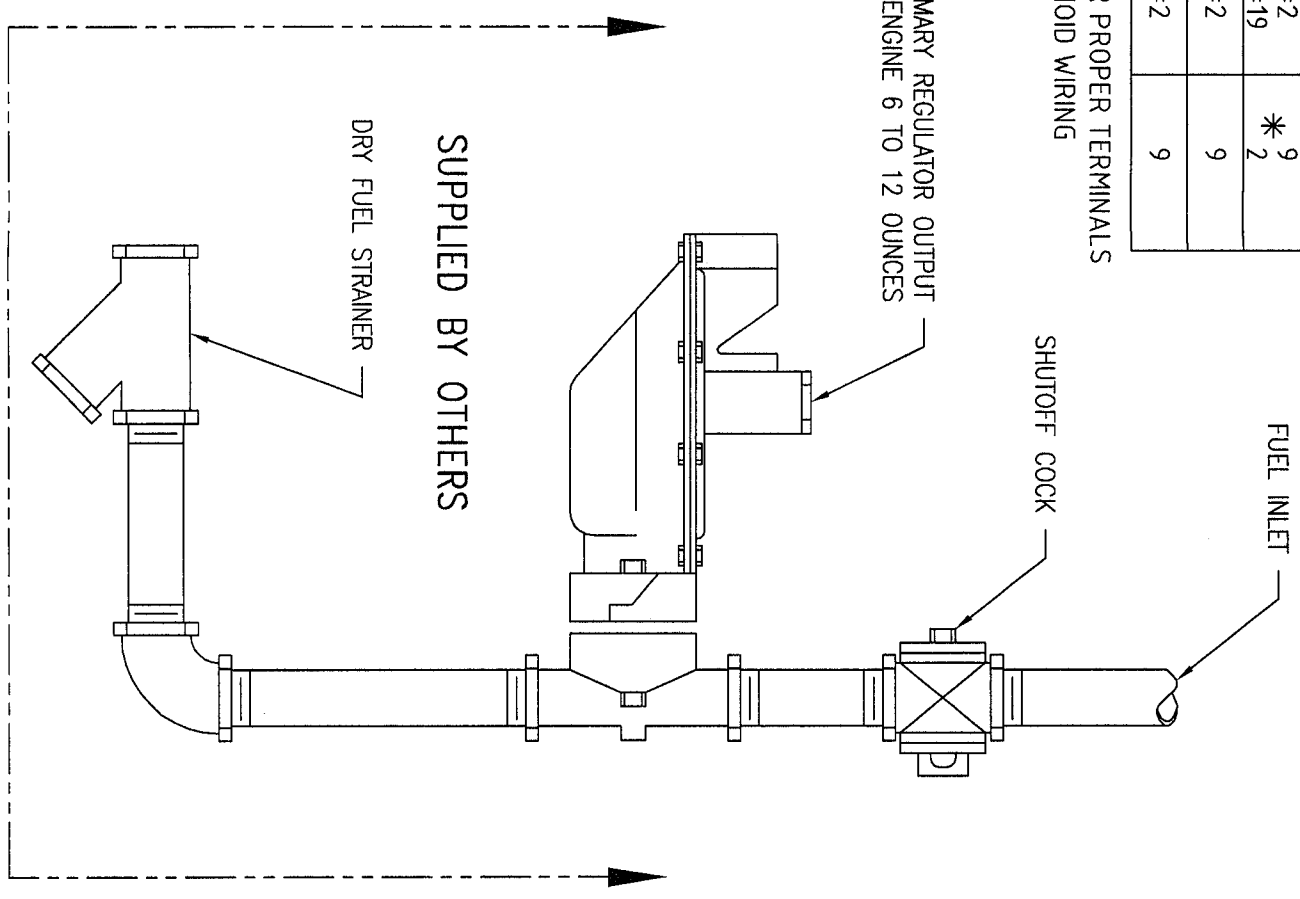
GROUND (SEE CHART FOR TERMINAL)



FLEX HOSE SEND LOOSE

SUPPLIED BY KATOLIGHT (LOOSE)

PRIMARY REGULATOR OUTPUT TO ENGINE 6 TO 12 OUNCES



SUPPLIED BY OTHERS

DRY FUEL STRAINER

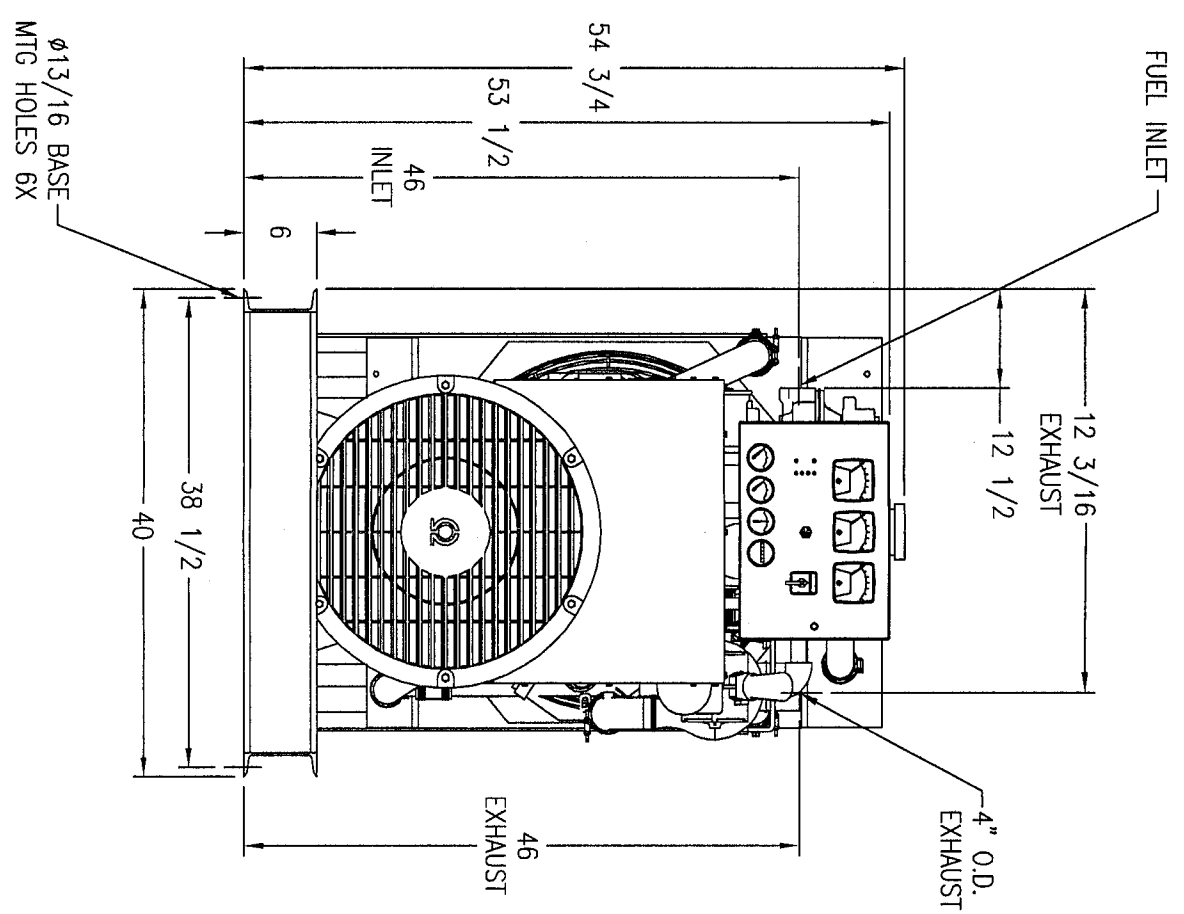
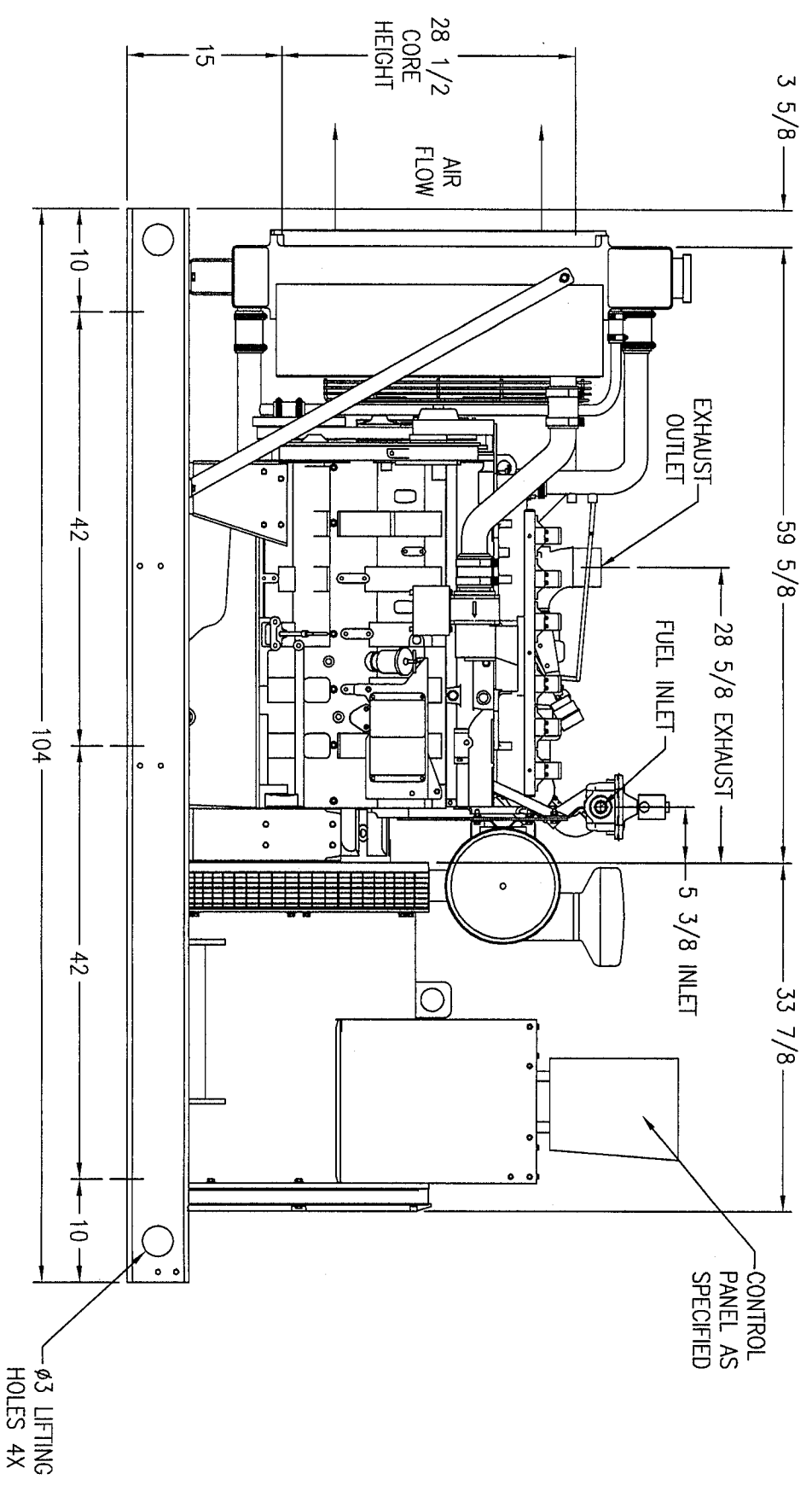
NOTES:
1. TYPICAL PIPING LAYOUT WHEN LINE REGULATOR IS MOUNTED NOT MORE THAN TEN FEET FROM CARBURATOR.

KATOLIGHT

MANKATO, MINNESOTA

CUMMINS NG AND LP FUEL SYSTEM

SIZE	DATE	DWG NO
B	9-17-99	204-206-21
SCALE	PART NO	DWN BY
NONE		SKB
		SHEET 1 OF 1



- NOTES:
 1. RADIATOR CORE WIDTH 29"
 2. FUEL INLET: 2" NPT

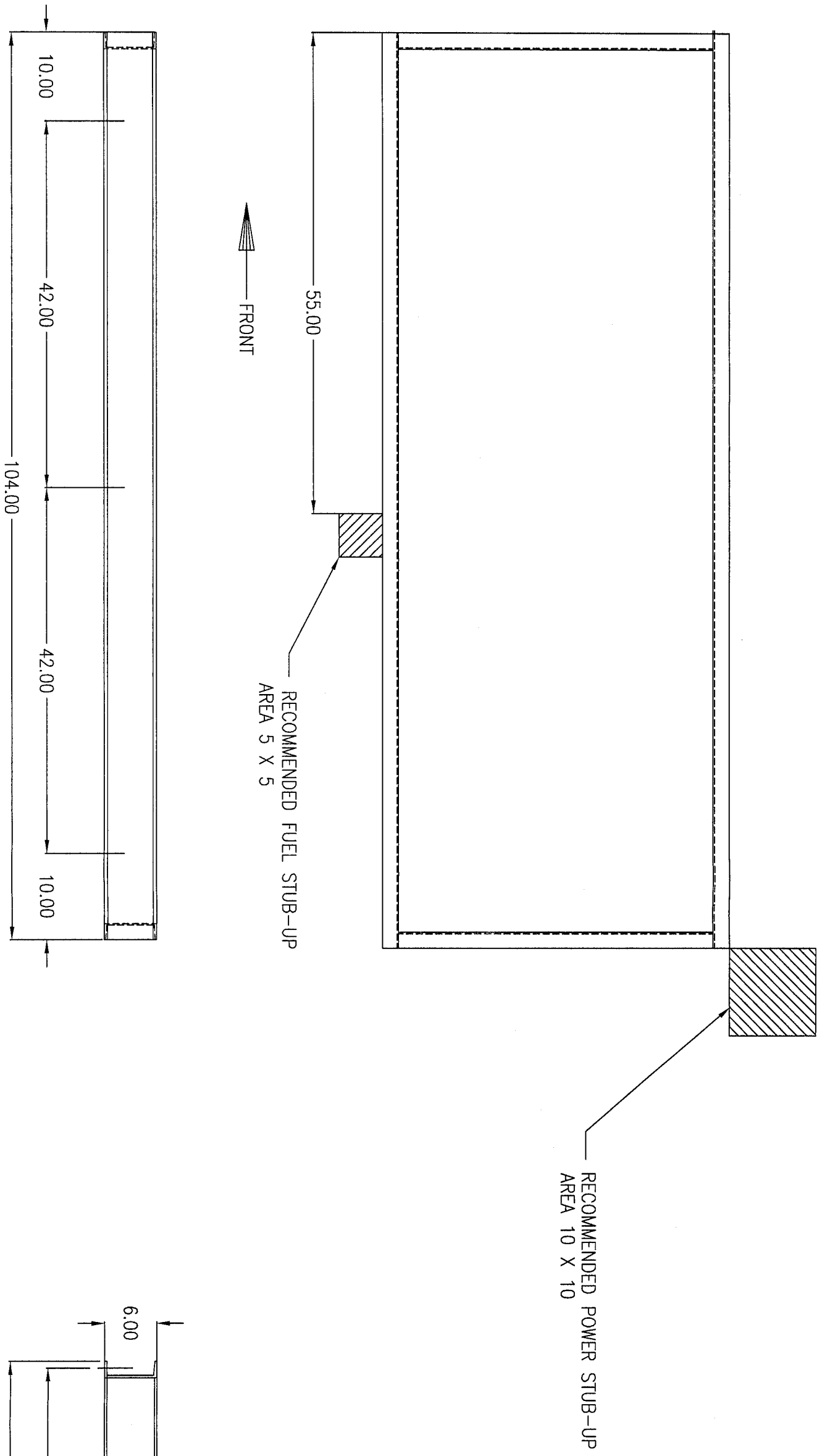
REVISION	DATE	REVISION DESCRIPTION
B	6-16-05	DELETED 150 AMP BREAKER
A	04-04-05	INITIAL RELEASE

KATOLIGHT CORPORATION

THIS DRAWING IS PROPERTY OF KATOLIGHT CORPORATION AND IS INTENDED FOR USE WITH OUR VENDERS AND CUSTOMERS. ANY CHANGES/MODIFICATIONS BY OTHERS MAY VOID DRAWING. DRAWING CHANGES MUST BE DONE BY KATOLIGHT AND MAY BE DONE SO AT ANYTIME.

GEN-SET INFORMATION	
ENGINE: GTA 8.3-G2	ENCLOSURE: NA
GENERATOR: 431 PSL	BREAKER: 150 AMP
RADIATOR: W/ ENG.	TANK: NA
RADIATOR AMBIENT: 43C	MUFFLER: NA
DUCT FLANGE: NA	TRAILER: NA
CONTROL PANEL: 45K	ISOLATORS: PA05
BASE: 102-2062-3	

DIMENSIONAL LAYOUT	
DRAWN TO SCALE	MODEL: NL150FRZ4
ALL DIMENSIONS ARE IN INCHES	
DATE: 04-04-05	DRAWN BY: RLK
DWG. #: 100-2510-36	

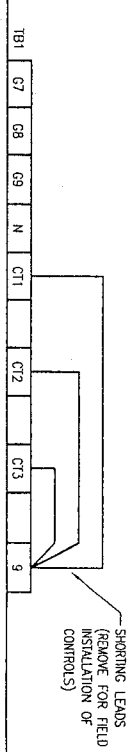


- REVISIONS:
1. UPDATED MTG. HOLE SPACING 5-22-01 SAA
 2. SHORTENED BASE 1" 10-17-01 JRD

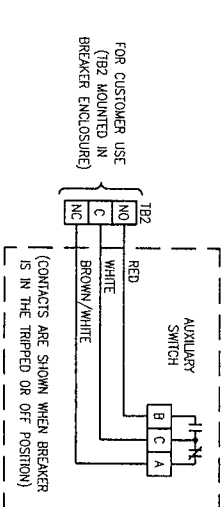
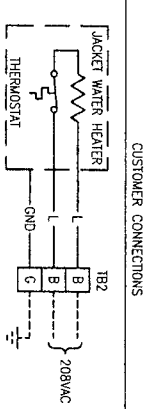
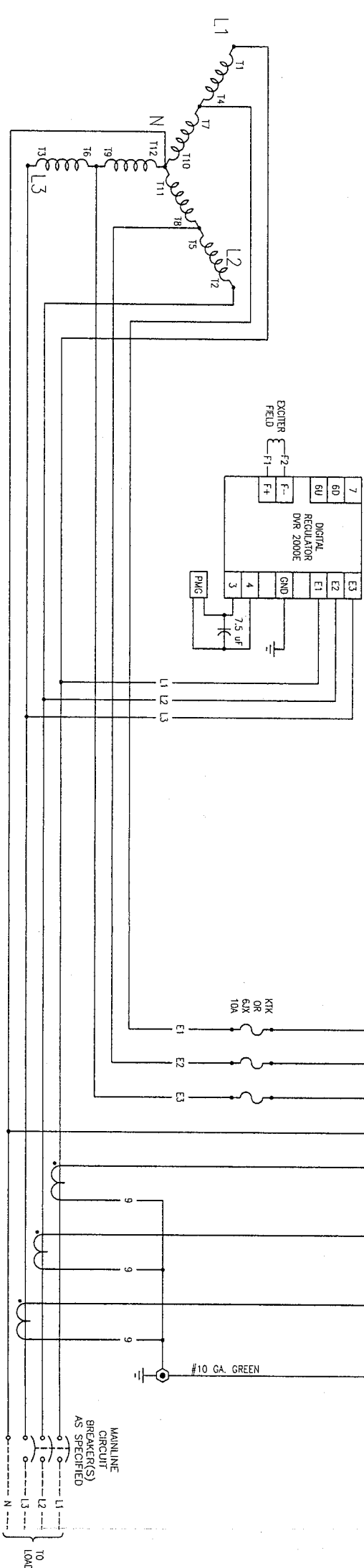
KATOLIGHT			
MANKATO, MINNESOTA			
ENGINE	GENERATOR	RADIATOR	HOUSING
G1A-8.3G		STD W/ENG	OPU
SIZE	DATE	DWG NO	
B	9-26-96	102-2062-3	
SCALE	.07=1	PART NO	DWN BY LJS SHEET 1 OF 1

CONTROL PANEL

LEGEND
 GND GROUND
 P/MC PERMANENT MAGNET GENERATOR
 TB1 TERMINAL BOARD 1 (PANEL)



GENERATOR OUTLET BOX



NOTES:
 1. SHORT DASHED LINES (-----) INDICATE CUSTOMER CONNECTION OR OPTIONAL EQUIPMENT.

REV	REVISION DESCRIPTION	DATE	BY

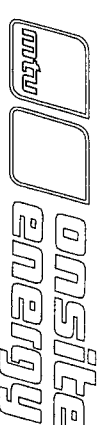
****SPECIAL NOTE****
 TO MINIMIZE ANY ELECTRICAL NOISE BEING INTRODUCED INTO THE ENGINE CONTROLLER, CONTROL WIRING AND AC POWER LINES NEED TO BE RUN IN SEPARATE CONDUITS.

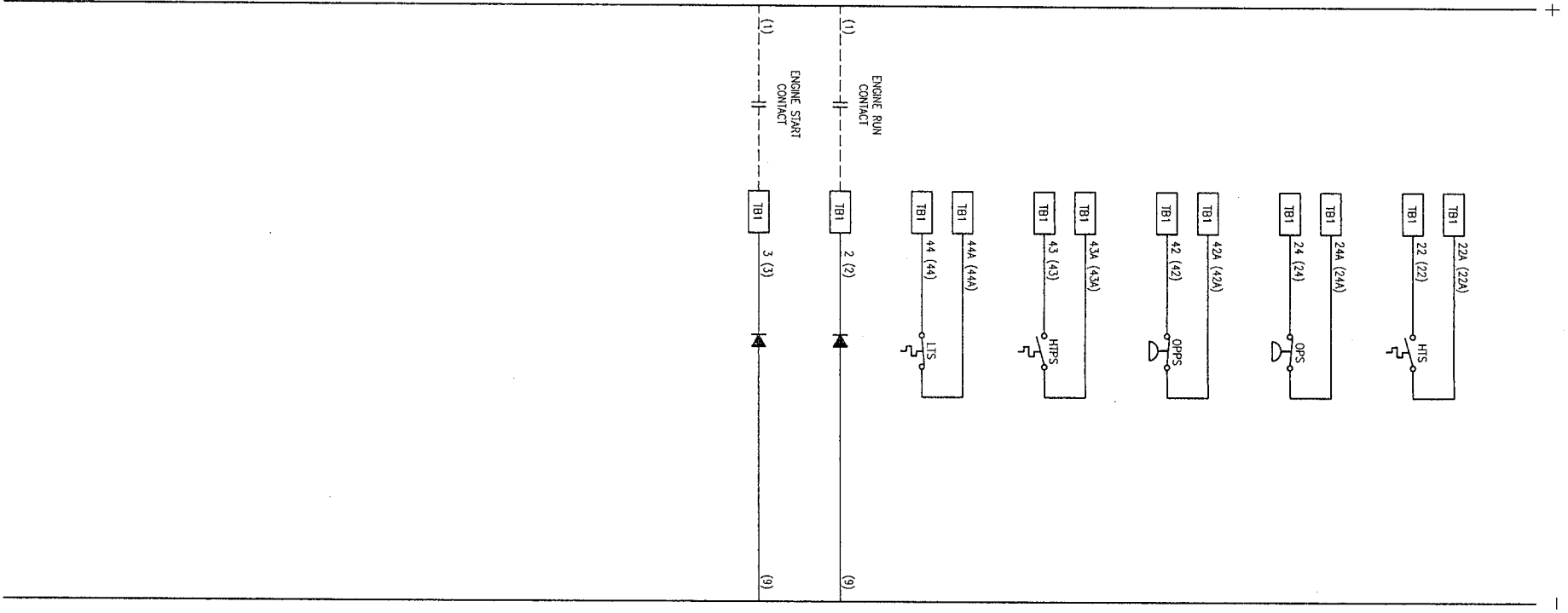
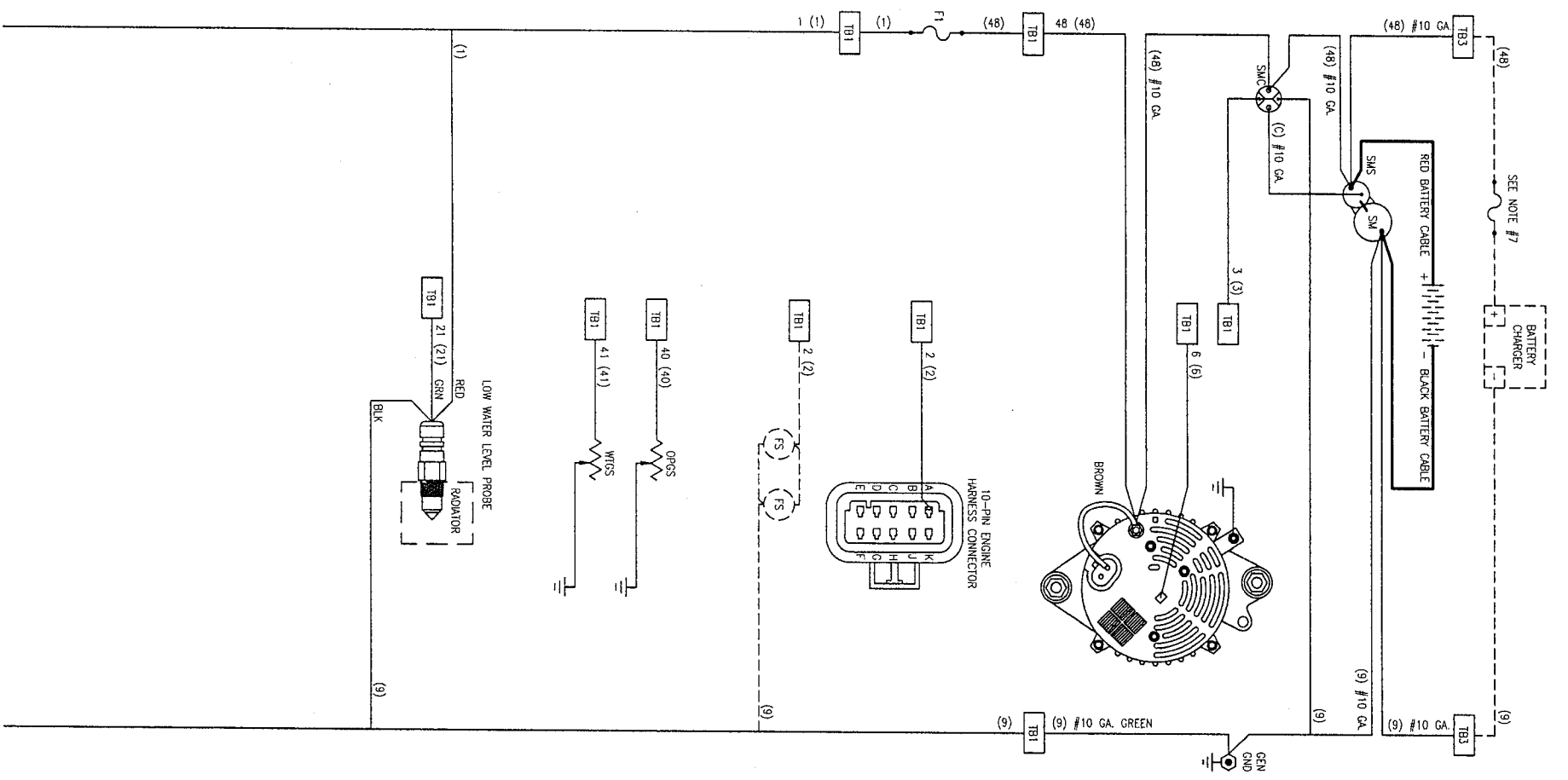
ENGINE: N/A
GENERATOR: 12 WIRE
REGULATOR: DNR2000E
CONTROL PANEL: HANDY BOX
VOLTAGE: 480/277V 3Ø
GOVERNOR: N/A

AC DIAGRAM

DATE: 11-10-08
 DRAWN BY: ALG
 SHEET: 1 OF 1

819-K-15831



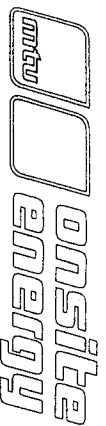


- LEGEND
- ALT ALTERNATOR
 - EHG ENGINE HARNESS CONNECTOR
 - F1 PANEL FUSE ABC 10A
 - FS FUEL SOLENOID
 - GEN GENERATOR
 - GEND GROUND
 - HPS HIGH ENGINE TEMPERATURE PREALARMS SWITCH
 - HIS HIGH ENGINE TEMPERATURE SWITCH
 - LIS LOW ENGINE TEMPERATURE SWITCH
 - LHU LOW WATER LEVEL PROBE
 - LMU LOW WATER LEVEL PROBE
 - OPPS OIL PRESSURE GAUGE SENDER
 - OPPS LOW OIL PRESSURE PREALARMS SWITCH
 - OPPS LOW OIL PRESSURE SWITCH
 - SMS STARTER MOTOR
 - SMS STARTER MOTOR COIL PILOT RELAY
 - TB1 TERMINAL BOARD 1
 - WTS WATER TEMPERATURE GAUGE SENDER

- NOTE:
1. WIRE NUMBERS ARE IN PARENTHESIS.
 2. ENGINE WIRING IS #16 GA UNLESS OTHERWISE SPECIFIED.
 3. CONTROL PANEL WIRING IS #20 GA UNLESS OTHERWISE SPECIFIED.
 4. ENGINE CONTROL SWITCH IS IN OFF POSITION.
 5. EC AND OS ARE AC AND DC DEVICES.
 6. SEE AC DIAGRAM.
 7. SHORT DASHED LINES (-----) INDICATE CUSTOMER CONNECTION OR OPTIONAL EQUIPMENT.
 8. BATTERY CHARGER FUSE ONLY WHEN SUPPLIED OR REQUIRED BY BATTERY MANUFACTURER.
 9. REMOTE ANNUNCIATOR IS OPTIONAL. CHECK BILL OF MATERIAL.

****SPECIAL NOTE****

TO MINIMIZE ANY ELECTRICAL NOISE BEING INTRODUCED INTO THE ENGINE CONTROLLER, CONTROL WIRING AND AC POWER LINES NEED TO BE RUN IN SEPARATE CONDUITS.



REV	REVISION DESCRIPTION	DATE	BY

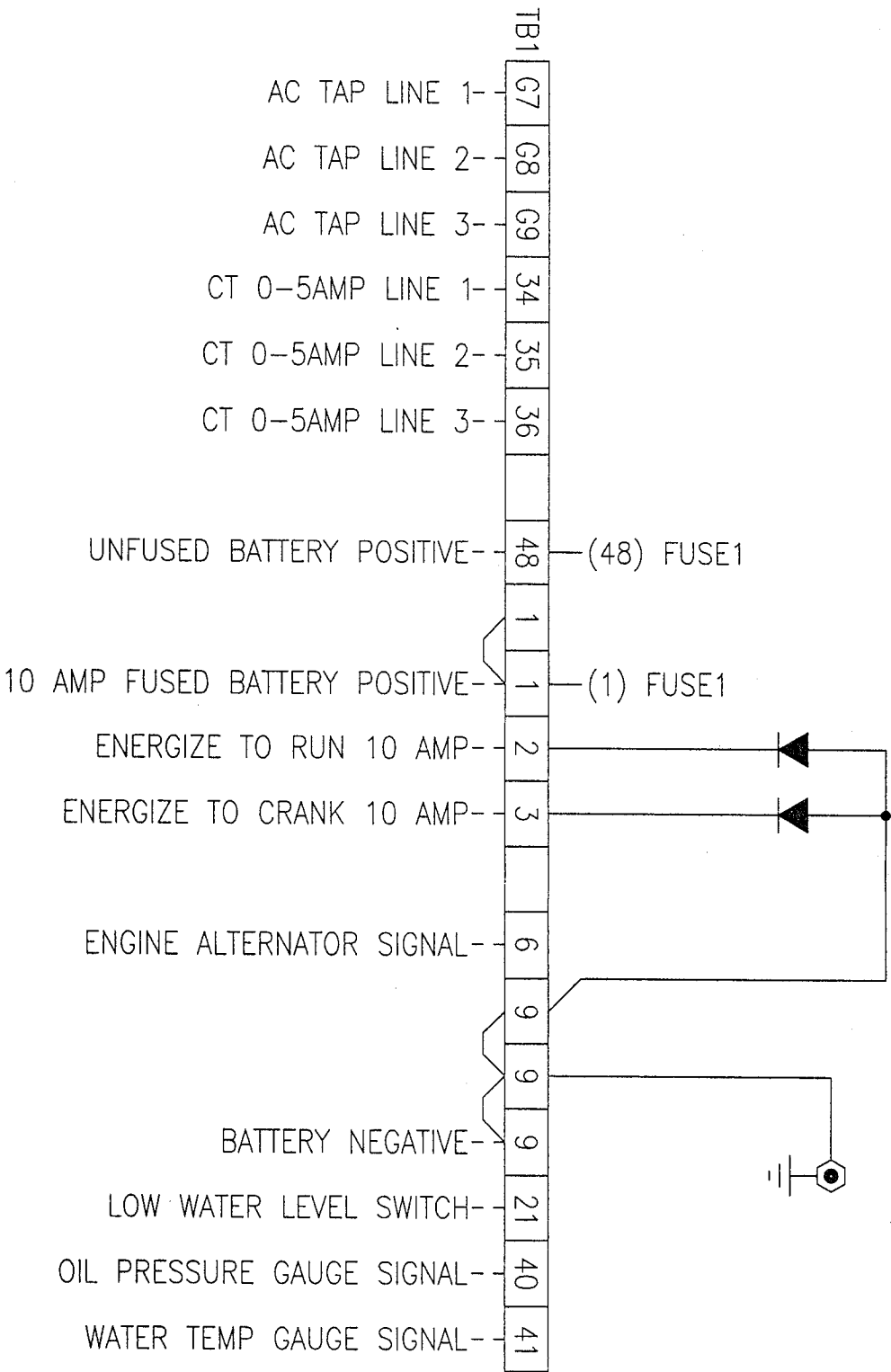
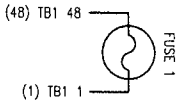
ENGINE: GM 8.1L
 GENERATOR: NA
 REGULATOR: NA
 CONTROL PANEL: 50K
 VOLTAGE: 12VDC
 GOVERNOR: BOSCH

DC LADDER DIAGRAM

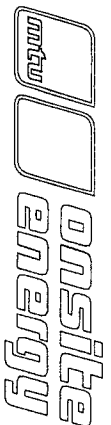
DATE: 11-11-08
 DRAWING SIZE: B-SIZE
 DRAWN BY: JLC
 SHEET: 1 OF 1

819-K-15832

HANDY BOX



- NOTE:
1. FUSE 1 (PANEL) APC 10 AMP
 2. ALL WIRE NUMBERS ARE IN PARENTHESES.
 3. USE #30GA WIRE ON ALL DEVICES UNLESS OTHERWISE SPECIFIED.
 4. SHORT DASHED LINES (-----) INDICATE CUSTOMER CONNECTION OR OPTIONAL EQUIPMENT.



****SPECIAL NOTE****

TO MINIMIZE ANY ELECTRICAL NOISE BEING INTRODUCED INTO THE ENGINE CONTROLLER, CONTROL WIRING AND AC POWER LINES NEED TO BE RUN IN SEPARATE CONDUITS.

ENGINE: GENERAL MOTORS 8.1L
 GENERATOR: NA
 REGULATOR: NA
 CONTROL PANEL: 50K
 VOLTAGE: 12VDC
 GOVERNOR: BOSCH

POINT TO POINT DIAGRAM

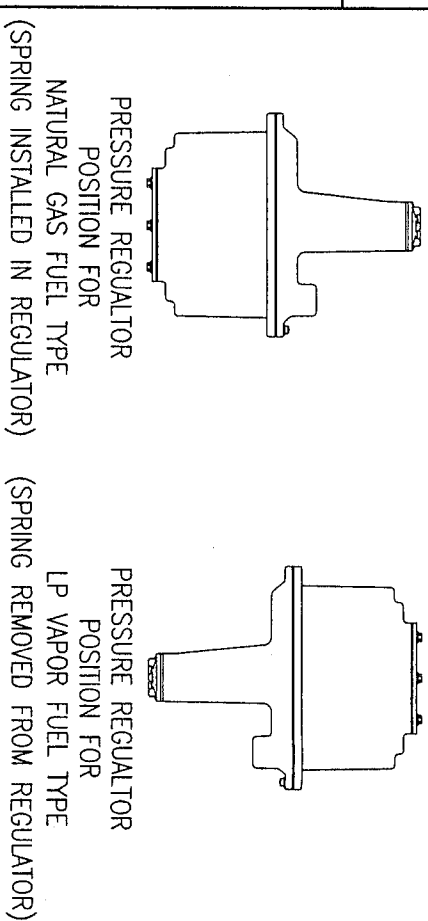
DATE: 11-12-08 DRAWING SIZE: B-SIZE
 DRAWN BY: MK SHEET: 1 OF 1

819-K-15833

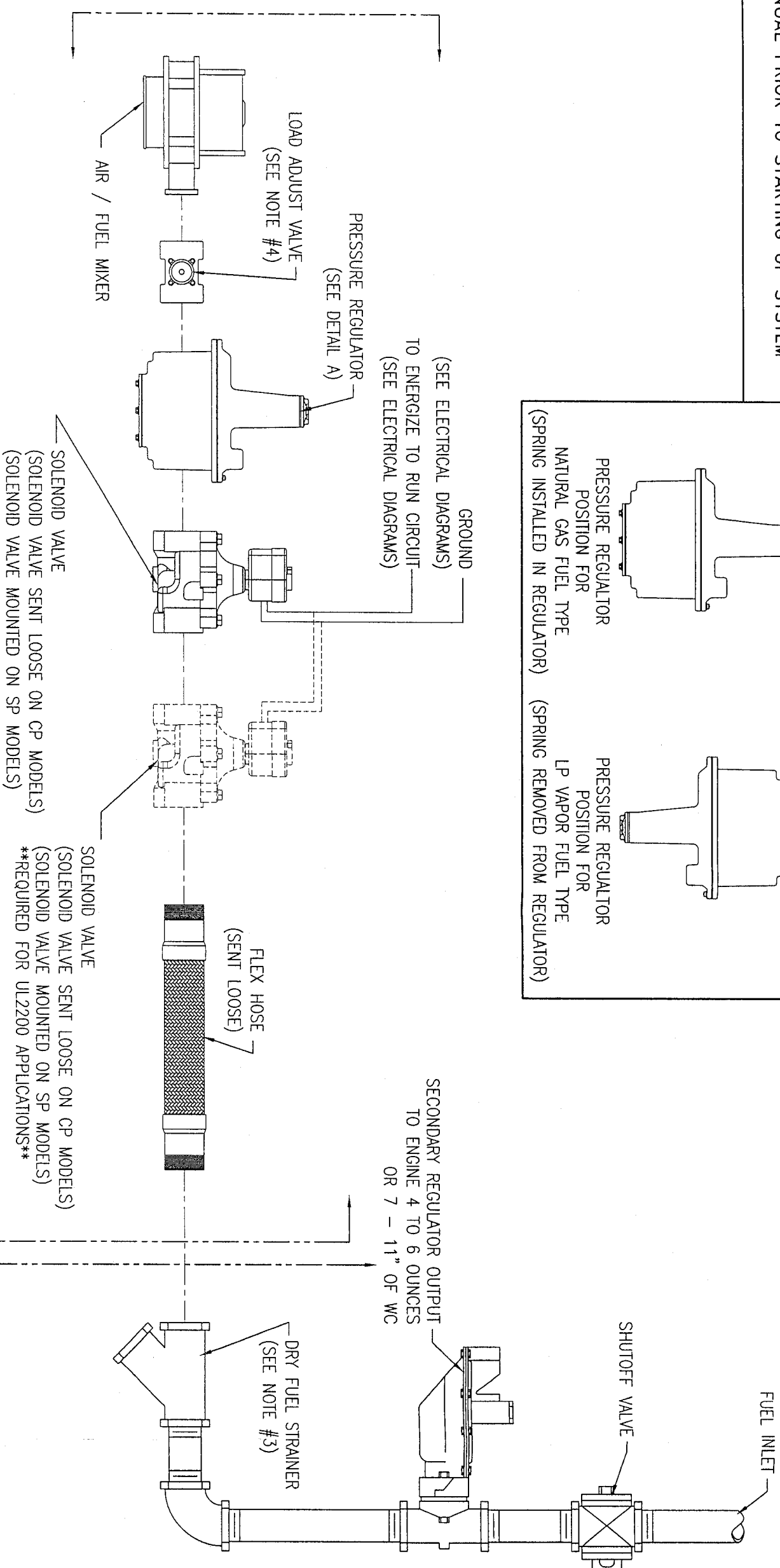
REV	REVISION DESCRIPTION	DATE	BY

**** SEE FUEL SET-UP GUIDE IN O & M MANUAL PRIOR TO STARTING UP SYSTEM****

DETAIL: A



DWG. #: 450-K-100



****SUPPLIED BY KATOLIGHT****

****SUPPLIED BY OTHERS****

- NOTES:
1. TYPICAL PIPING LAYOUT WHEN LINE REGULATOR IS MOUNTED NOT MORE THAN TEN FEET FROM CARBURATOR
 2. FUEL SOLENOID VALVE(S) SHOULD BE MOUNTED AS CLOSE TO FUEL INLET ON THE ENGINE AS POSSIBLE.
 3. IT IS CRITICAL TO INSTALL DRY FUEL STRAINER IN FUEL SYSTEM TO AVOID RISK OF DEBRIS ENTERING FUEL SOLENOIDS AND CAUSING IT TO STICK OPEN OR CLOSED.
 4. ONLY REQUIRED ON 100 & 130KW MODELS

APPLICABLE FOR GM 8.1L AND 8.1L TURBO ENGINES

REV	ECO	REVISION DESCRIPTION	DATE	BY
-----	-----	----------------------	------	----

KATOLIGHT CORPORATION

THIS DRAWING IS PROPERTY OF KATOLIGHT CORPORATION AND IS INTENDED FOR USE WITH OUR VENDORS AND CUSTOMERS. ANY CHANGES/MODIFICATIONS BY OTHERS MAY VOID DRAWING. DRAWING CHANGES MUST BE DONE BY KATOLIGHT AND MAY BE DONE SO AT ANYTIME.

TOLERANCES	X = +/- .125
	.XX = +/- .062
	.XXX = +/- .031
	FRACTIONAL = +/- 1/8
(UNLESS OTHERWISE SPECIFIED)	
DRAWN TO SCALE	ALL DIMENSIONS ARE IN INCHES

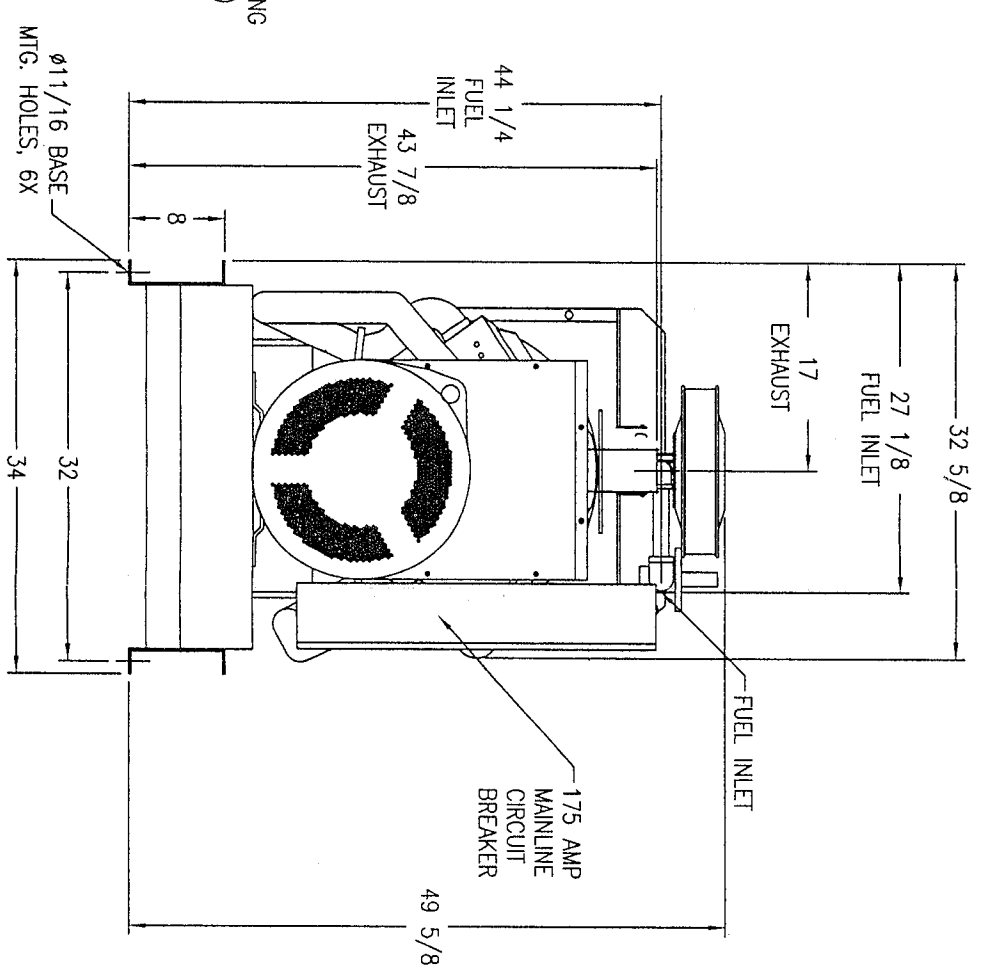
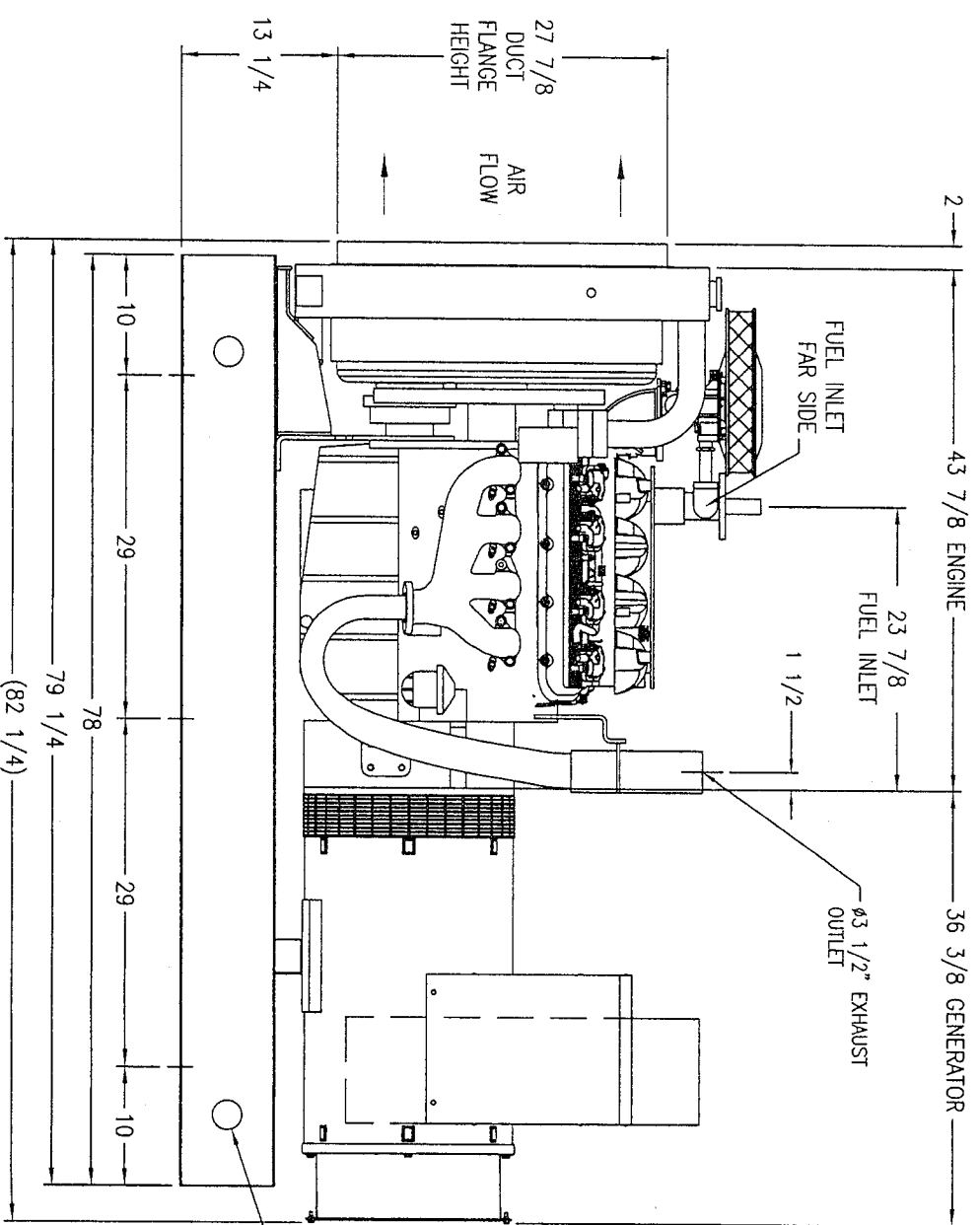
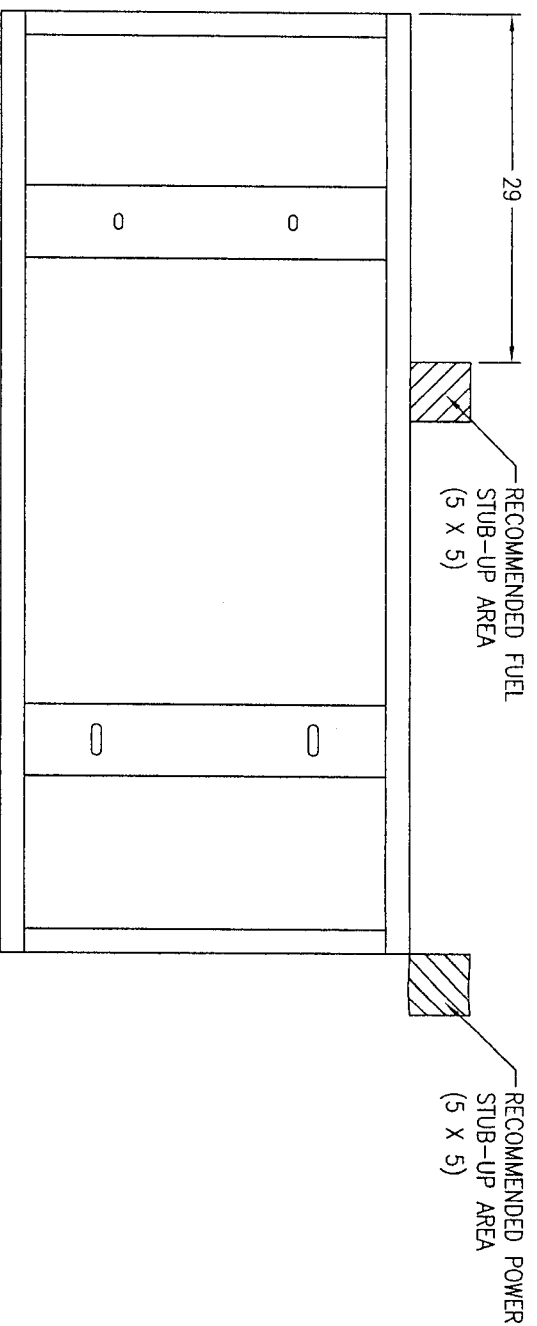
MATERIAL:	
FINISH:	
DATE:	04-19-07
DRAWN BY:	WRL
PART NO.:	NA
WEIGHT:	
SHEET:	1 OF 1

DESCRIPTION:	GM WW/BOSCH FUEL SYSTEM NG OR LP VAPOR (CP / SP) (SINGLE FUEL)
DWG. #:	450-K-100

DWG. #: CNL100RG6(8.1)0PU-MI-19

NOTES:

1. FUEL CONNECTION: 1/2" NPT
2. DUCT FLANGE WIDTH 24 1/2"



REVISION	A	08-18-08	DATE	INITIAL RELEASE TO SALES AND ENGINEERING	REVISION DESCRIPTION	KJR	INITIALS
----------	---	----------	------	--	----------------------	-----	----------

KATOLIGHT CORPORATION

THIS DRAWING IS PROPERTY OF KATOLIGHT CORPORATION AND IS INTENDED FOR USE WITH OUR VENDORS AND CUSTOMERS. ANY CHANGES/MODIFICATIONS BY OTHERS MAY VOID DRAWING. DRAWING CHANGES MUST BE DONE BY KATOLIGHT AND MAY BE DONE SO AT ANYTIME.

GEN-SET INFORMATION

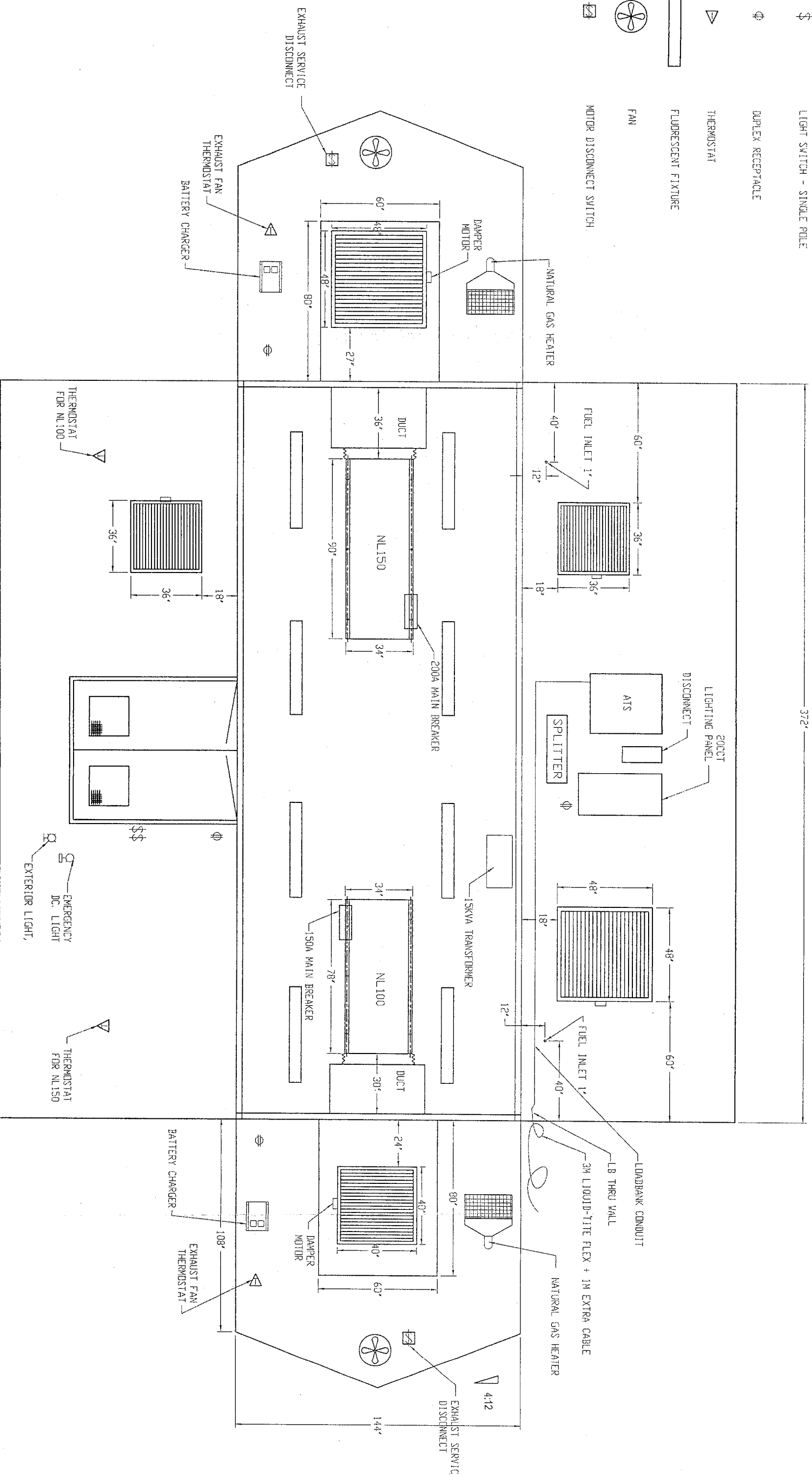
ENGINE: GM8.1L	ENCLOSURE: NA
GENERATOR: 363 CSL-PMG	BREAKER: 175 AMP
RADIATOR: W/ ENG.	TANK: NA
RADIATOR AMBIENT: 48C	MUFFLER: NA
DUCT FLANGE: 105-2232	TRAILER: NA
CONTROL PANEL: NA	ISOLATORS: PADS
BASE: 105-5064	

DIMENSIONAL LAYOUT

DRAWN TO SCALE	MODEL: CNL100RG6
ALL DIMENSIONS ARE IN INCHES	DRAWN BY: KJR
DATE: 08-18-08	DWG. #: CNL100RG6(8.1)0PU-MI-19

SYMBOL LEGEND

- \$ LIGHT SWITCH - SINGLE POLE
- ⊕ DUPLEX RECEPTACLE
- ▽ THERMOSTAT
- ▭ FLUORESCENT FIXTURE
- FAN
- ⊗ MOTOR DISCONNECT SWITCH



THIS DRAWING CONTAINS CONFIDENTIAL INFORMATION OF A PROPRIETARY NATURE TO SIMAX INC.

REPRODUCTION, TRANSMISSION OR USE FOR ANY PURPOSE WITHOUT THE EXPRESS WRITTEN CONSENT OF SIMAX INC. IS STRICTLY PROHIBITED.

FOR APPROVAL (CHECK ONE ONLY)

- APPROVED
- APPROVED, SEE CHANGES
- RE-SUBMIT, SEE CHANGES
- NOT APPROVED

CUSTOMER:

CANADIAN SPIRITS
C/O EXCELSIOR

NOTES:

NO.	DESCRIPTION

DRAWN BY: ROOKY

DATE: 10/20/08

CHECKED BY:

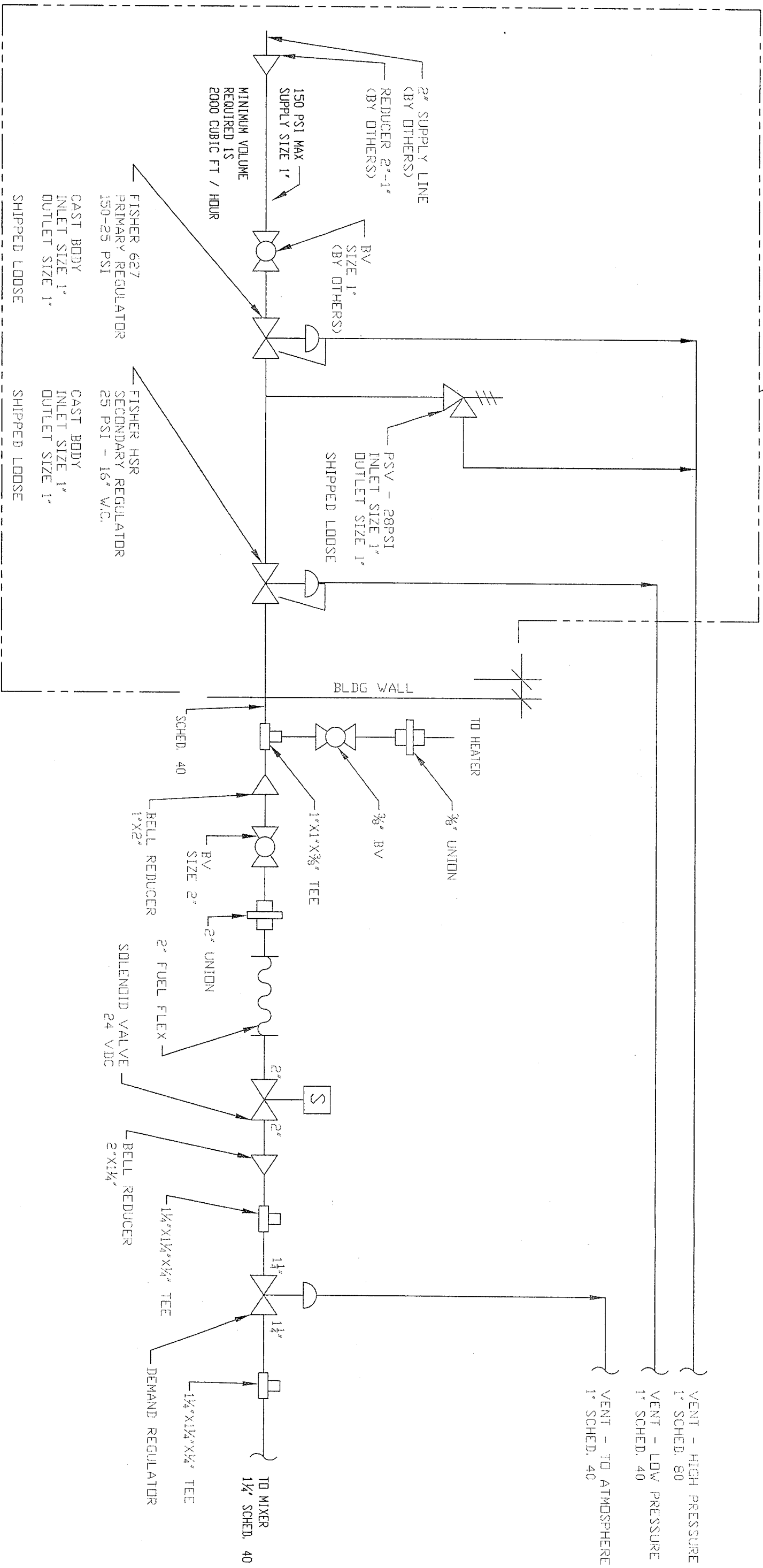
NO.	DATE	BY	DESCRIPTION
AA	11/18/08	RC	ADD EMERGENCY LIGHT
AB	11/26/08	RC	ADD LOADBANK CONDUIT

TITLE:

SIMAX INC.
BUILDING LAYOUT

SCALE: DRAWING NO: REV: SIZE

OUTSIDE BUILDING
SCHEM. 90



THIS DRAWING CONTAINS CONFIDENTIAL INFORMATION OF A PROPRIETARY NATURE TO SIMAX INC. REPRODUCTION, TRANSMISSION OR USE FOR ANY PURPOSE WITHOUT THE EXPRESS WRITTEN CONSENT OF SIMAX INC. IS STRICTLY PROHIBITED.

TOLERANCE UNLESS NOTED

DIMENSIONS	X.X	X.XX	X.XXX
INCH	F0.050	F0.015	F0.005

FOR GENERAL USE

CUSTOMER:
**CANADIAN SPIRITS
C/O EXCELSIOR**

DESIGN HAS BEEN
PREVIOUSLY
IMPLEMENTED

08C306

NOTES:

NO.	DESCRIPTION
1	FITTINGS TAPED AND PIPE DOPED
2	USE SEAMLESS PIPE

DRAWN BY:	KK	DATE:	07/14/08
CHECKED BY:			
REVISIONS			
NO.	DATE	BY	DESCRIPTION

TITLE:
PROCESS AND INSTRUMENTATION DIAGRAM

SCALE: DRAWING NO: REV: SIZE

SIMAX WELLS
NL150

THIS DRAWING CONTAINS CONFIDENTIAL INFORMATION OF A PROPRIETARY NATURE TO SIMAXX INC. REPRODUCTION, TRANSMISSION OR USE FOR ANY PURPOSE WITHOUT THE EXPRESS WRITTEN CONSENT OF SIMAXX INC. IS STRICTLY PROHIBITED.

TOLERANCE UNLESS NOTED

DIMENSIONS	X.X	X.XX	X.XXX
INCH	+0.050	+0.015	+0.005
MM	+1.0	+0.375	+0.125

THIRD ANGLE PRACTICE

FOR GENERAL USE

DESIGN HAS BEEN PREVIOUSLY IMPLEMENTED

CUSTOMER: CANADIAN SPIRITS
C/O EXCELSIOR
08C306

NOTES:

NO.	DESCRIPTION
1	FITTINGS TAPED AND PIPE DOPED
2	USE SEAMLESS PIPE

DRAWN BY: KK
CHECKED BY: []
DATE: 07/14/08

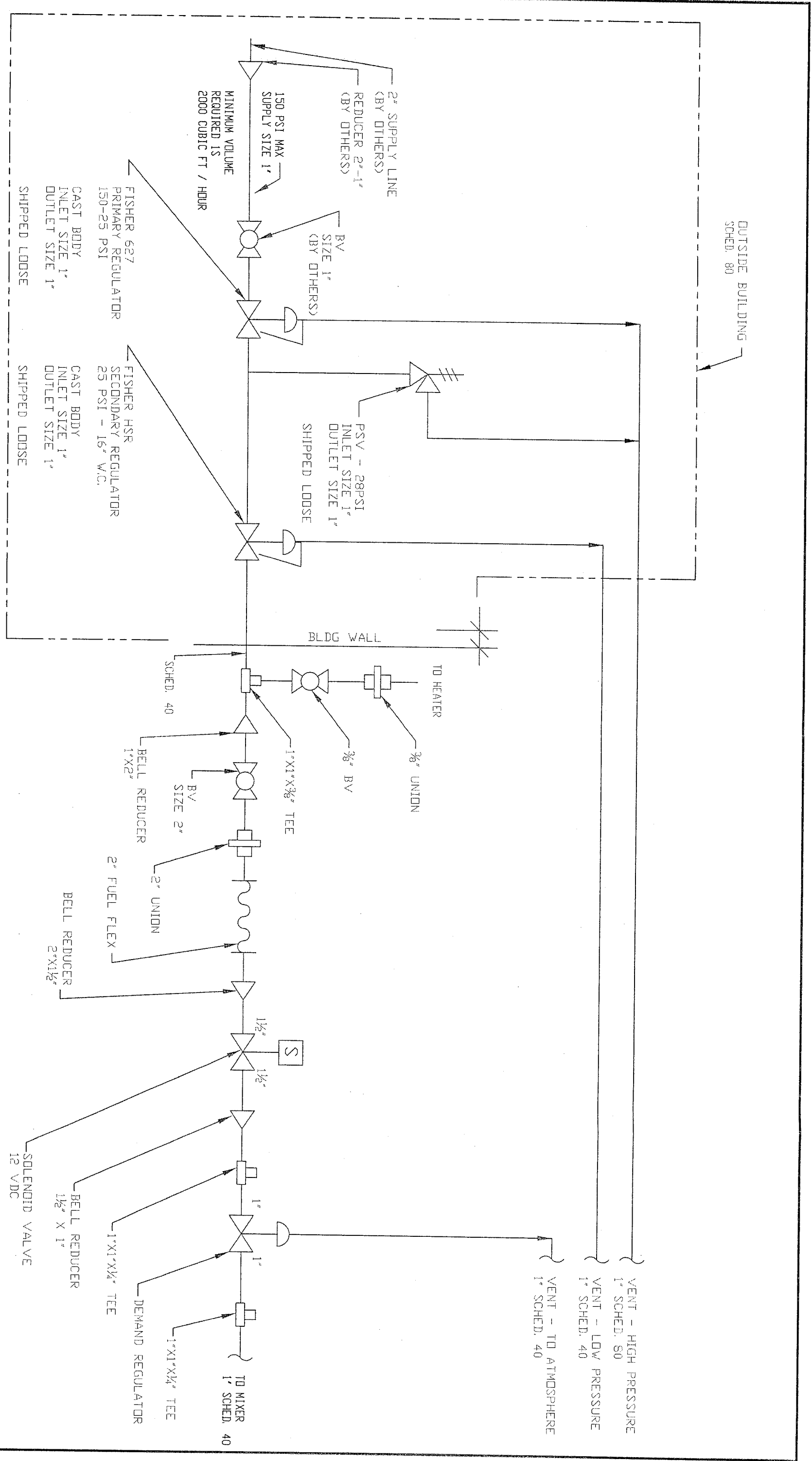
REVISIONS

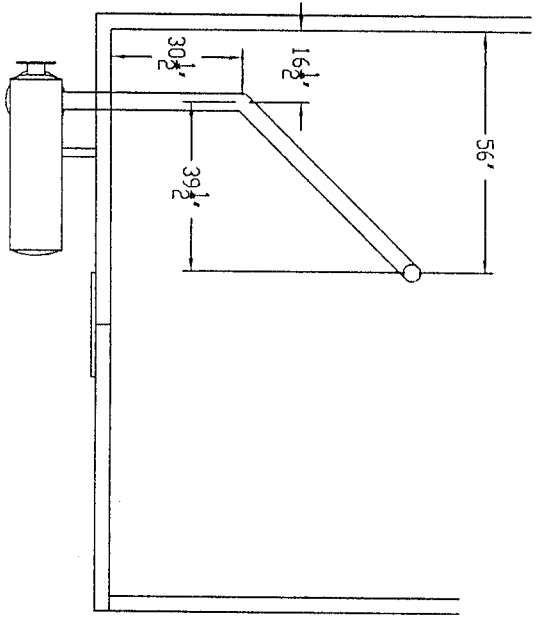
NO.	DATE	BY	DESCRIPTION

SIMAXX
MAXWELL

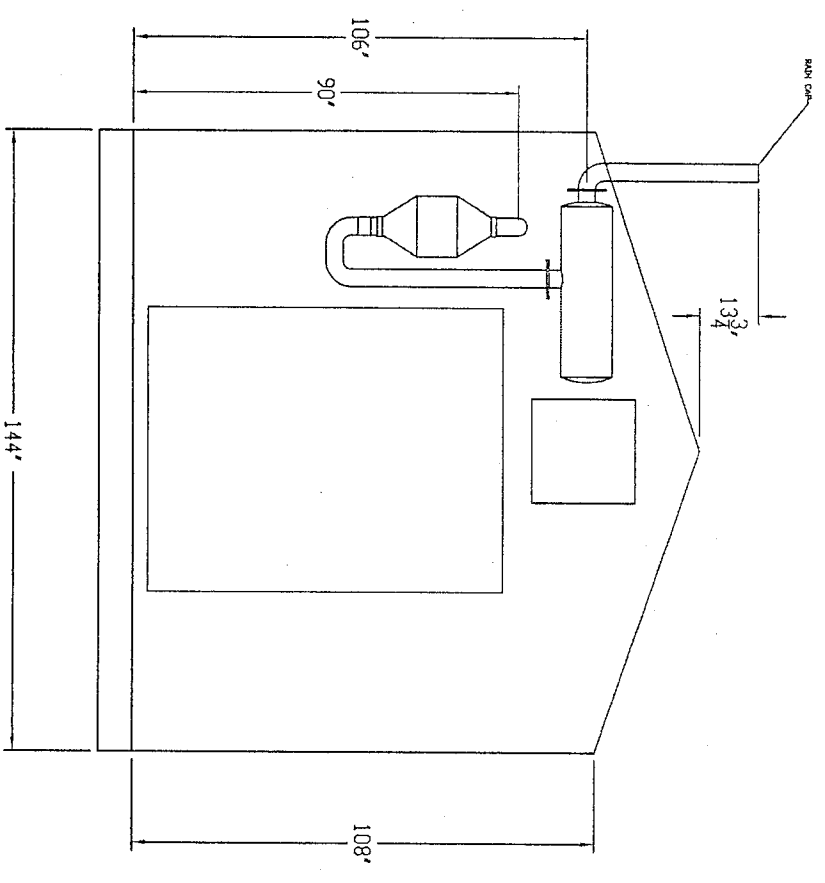
TITLE: PROCESS AND INSTRUMENTATION DIAGRAM
NL100

SCALE: [] DRAWING NO: [] REV: [] SIZE: []

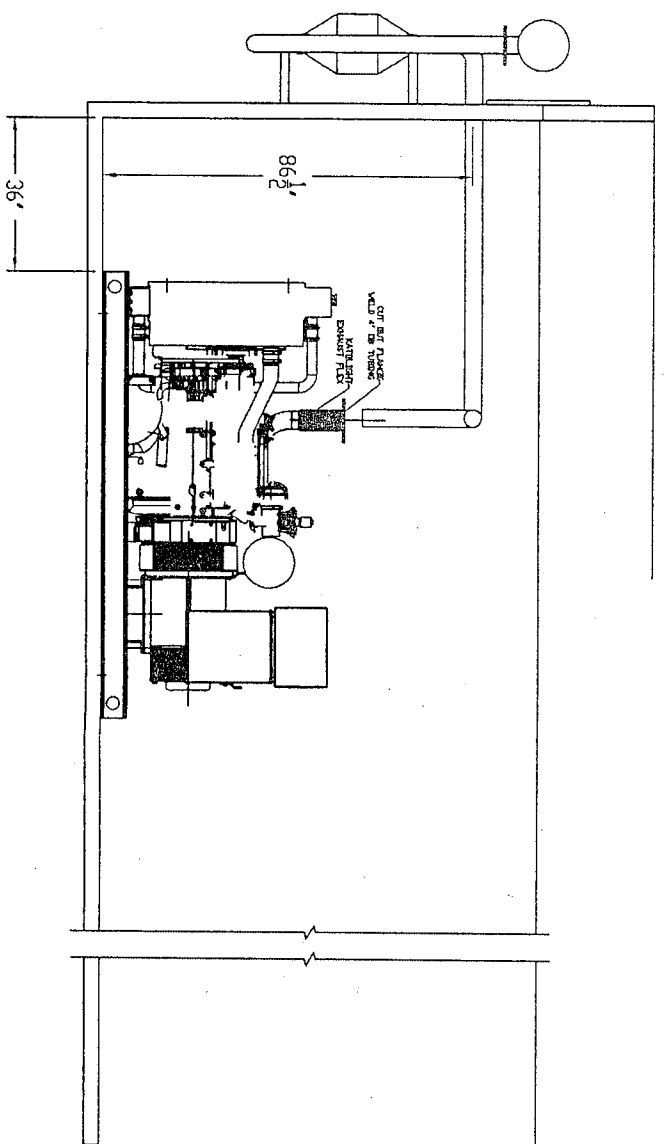




PLAN VIEW



END VIEW



SIDE VIEW

THIS DRAWING CONTAINS CONFIDENTIAL INFORMATION OF A PROPRIETARY NATURE TO SIMMAX INC. REPRODUCTION, TRANSMISSION OR USE FOR ANY PURPOSE WITHOUT THE EXPRESS WRITTEN CONSENT OF SIMMAX INC. IS STRICTLY PROHIBITED.

TOLERANCE UNLESS NOTED

DIMENSIONS	X.X	X.XX	X.XXX
INCH	±1/16"	±1/64"	±1/32"
MM	±1.0	±0.375	±0.125

THIRD ANGLE PERSPECTIVE

FOR DESIGN REVIEW

DESIGN IS PRELIMINARY

SUBJECT TO CHANGE

CUSTOMER:

CANADIAN SPIRITS

08C306

NOTES:

NO.	DESCRIPTION

DRAWN BY: ROCKY C
CHECKED BY: KK
DATE: 10/02/08

REVISIONS

NO.	DATE	BY	DESCRIPTION

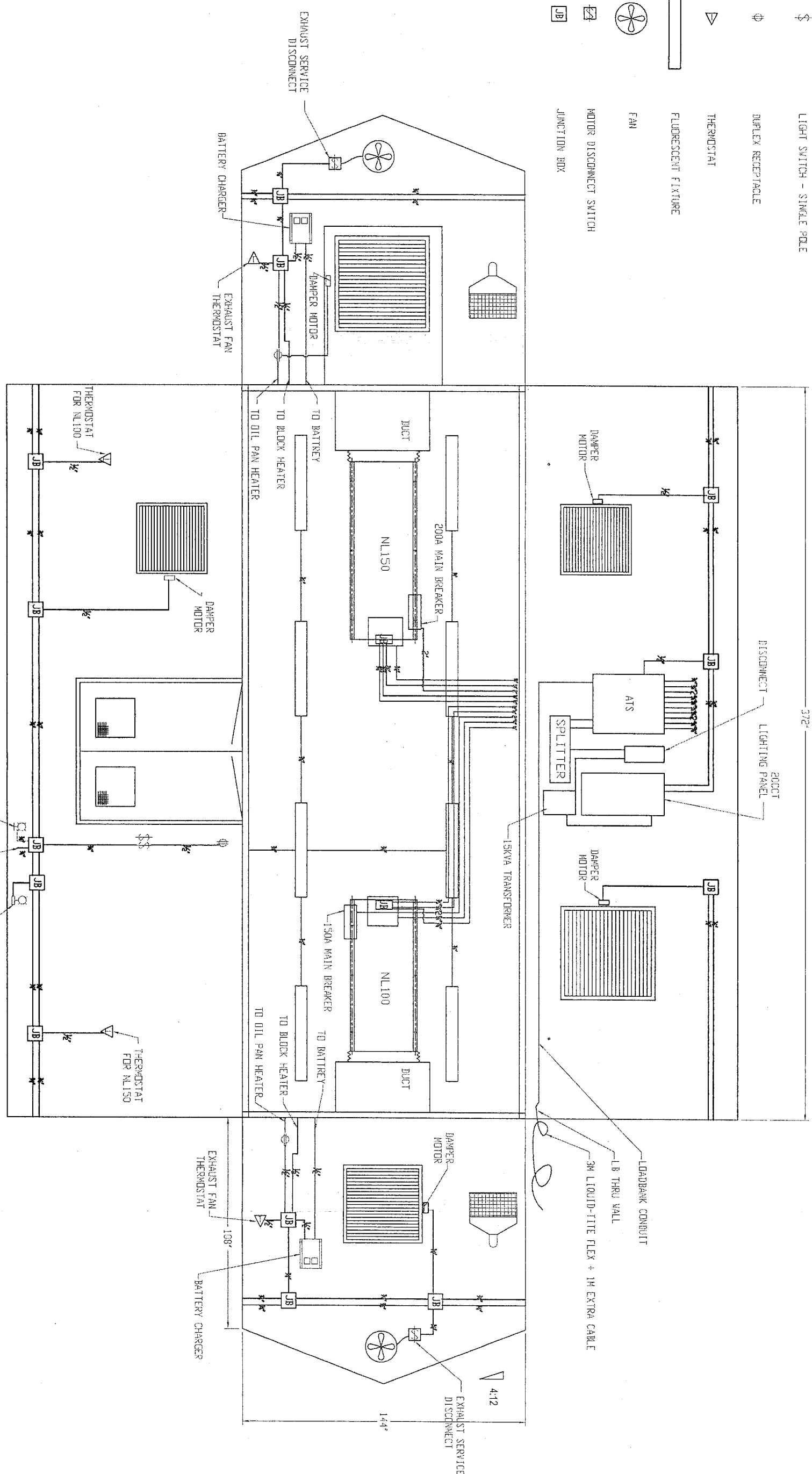
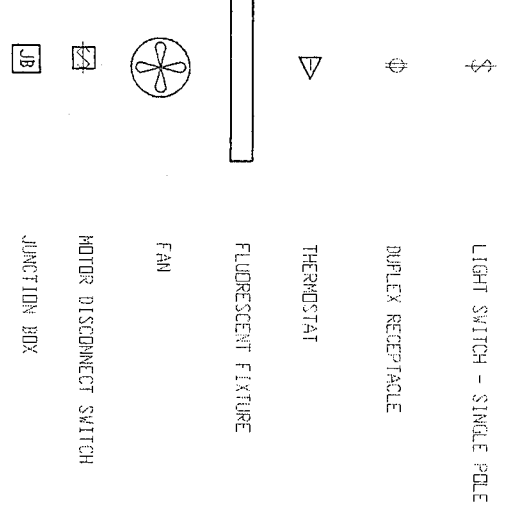


SIMAXSON
MAXWELL

TITLE:
BUILDING ELEVATION

SCALE: DRAWING NO: 08C306-D
REV: 0
SIZE: B

SYMBOL LEGEND



THIS DRAWING CONTAINS CONFIDENTIAL INFORMATION OF A PROPRIETARY NATURE TO SIMAX INC. REPRODUCTION, TRANSMISSION OR USE FOR ANY PURPOSE WITHOUT THE EXPRESS WRITTEN CONSENT OF SIMAX INC. IS STRICTLY PROHIBITED.

TOLERANCE UNLESS NOTED

DIMENSIONS	X.X	X.XX	X.XXX
INCH	±0.050	±0.015	±0.005

THIRD ANGLE

RELEASED TO PRODUCTION

NO CUSTOMER APPROVAL REQUIRED

CUSTOMER: CANADIAN SPIRITS
C/O EXCELSIOR

08C306

NOTES:

NO.	DESCRIPTION

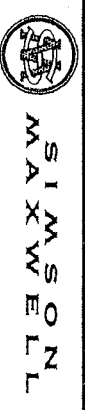
DRAWN BY: ROCKY	DATE: 10/20/08		
CHECKED BY: BILL H			
REVISIONS			
NO.	DATE	BY	DESCRIPTION

TITLE: ELECTRICAL LAYOUT

SCALE: DRAWING NO: 08C306-F

REV: 0

SIZE: R



PANEL A

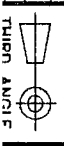
DESCRIPTION	VA	BKR AMP	CCT NO.	A	B	C	CCT NO.	BKR AMP	VA	DESCRIPTION
UNIT A DAMPERS		15	1	●	—	—	2	20		UNIT A BLOCK HEATER
UNIT A EXHAUST FAN		15	3	—	●	—	4	15		UNIT A DUPLEX REC
UNIT A BATTERY CHARGER		15	5	—	—	●	6	15		LIGHTING
EMERGENCY LIGHT		15	7	●	—	—	8	15		UNIT B EXHAUST FAN
UNIT B BLOCK HEATER		15	9	—	●	—	10	15		UNIT B DAMPER
UNIT B BATTERY CHARGER		15	11	—	—	●	12	15		UNIT B DUPLEX REC.
SPACE			13	●	—	—	14			SPACE
SPACE			15	—	●	—	16			SPACE
SPACE			17	—	—	●	18			SPACE
SPACE			19	●	—	—	20			SPACE
SPACE			21	—	●	—	22			SPACE
SPACE			23	—	—	●	24			SPACE
SPACE			25	●	—	—	26			SPACE
SPACE			27	—	●	—	28			SPACE
SPACE			29	—	—	●	30			SPACE
SPACE			31	●	—	—	32			SPACE
SPACE			33	—	●	—	34			SPACE
SPACE			35	—	—	●	36			SPACE
SPACE			37	●	—	—	38			SPACE
SPACE			39	—	●	—	40			SPACE
SPACE			41	—	—	●	42			SPACE

120/208V, 3Ø, 4W, 100A MAIN BUS
CUTLER-HAMMER BOLT-DN

THIS DRAWING CONTAINS CONFIDENTIAL INFORMATION OF A PROPRIETARY NATURE TO SIMAX INC. REPRODUCTION, TRANSMISSION OR USE FOR ANY PURPOSE WITHOUT THE EXPRESS WRITTEN CONSENT OF SIMAX INC. IS STRICTLY PROHIBITED.

TOLERANCE UNLESS NOTED

DIMENSIONS: XX XXX XXXX
INCH F0.050 F0.015 F0.005



APPROVED FOR PRODUCTION

CHANGES TO THIS DRAWING REQUIRE CUSTOMER RE-APPROVAL

CUSTOMER: CANADIAN SPIRITS
C/O EXCELSIOR
08C306

NO.	DESCRIPTION	DATE	NO.	DATE	BY	DESCRIPTION


NOTES:

DRAWN BY: ROCKY
CHECKED BY:
DATE: 01/21/09

REVISIONS:

TITLE: PANEL SCHEDULE

SCALE: DRAWING NO: REV: SIZE



SI MAX W E L L

NOTES:

- EXTERIOR WALLS TO BE: 22 GA TAN (QC8315)
- EXTERIOR ROOF TO BE: 22 GA METRO BROWN (QC8228)
- EXTERIOR TRIM TO BE: 22 GA METRO BROWN (QC8228)
- DOORS TO BE PAINTED: METRO BROWN (QC8228)
- INTERIOR LINER TO BE: 20GA 10% WHITE PERF. ALUM. ABOVE 3' AND 24GA WHITE ALUM. BELOW 3'
- INSULATION IN WALLS: R-12
- INSULATION IN ROOF: R-20
- VAPOR BARRIER TO BE: 4 MIL

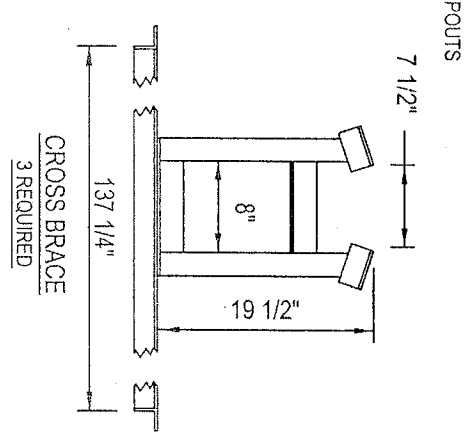
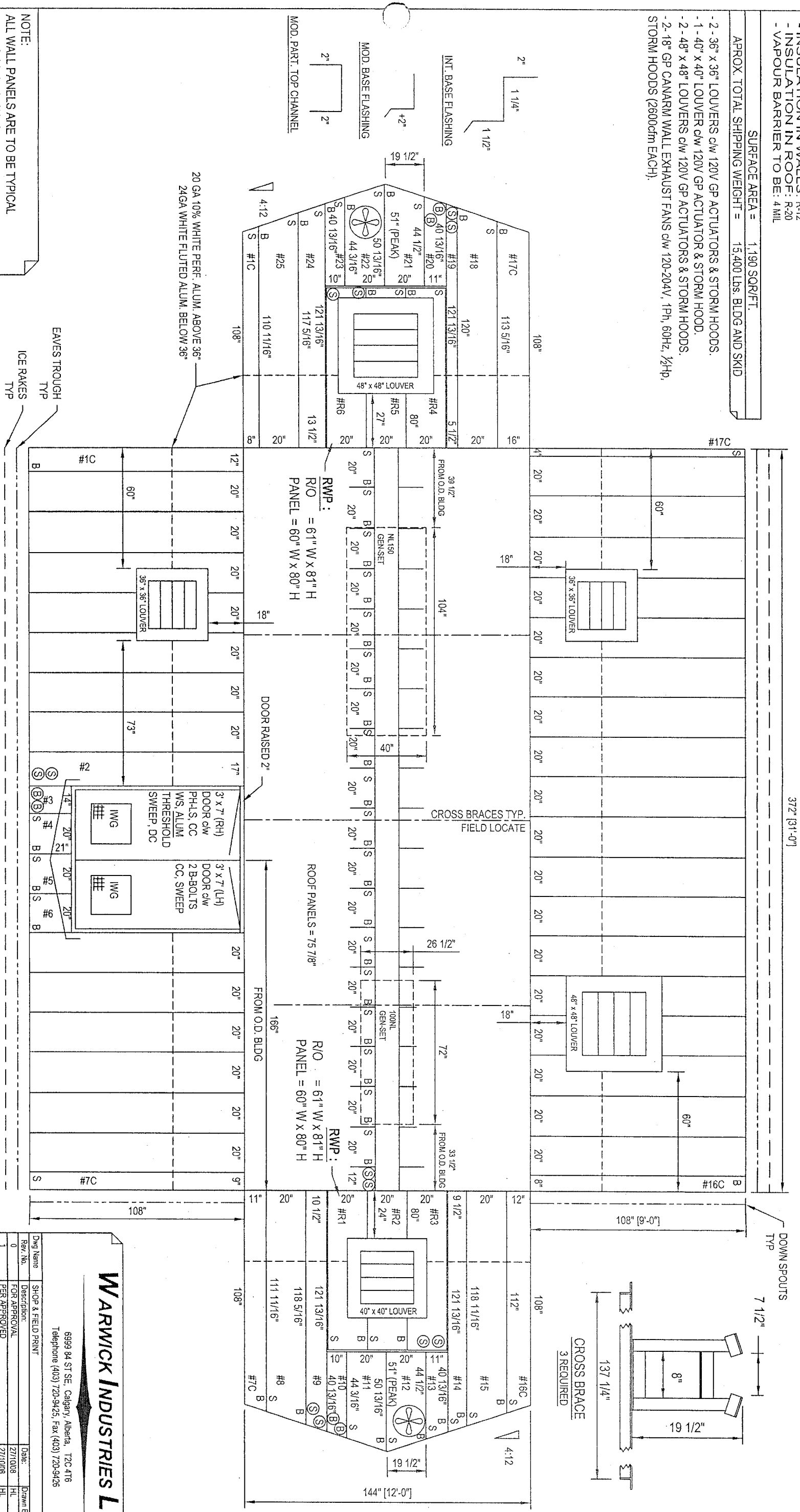
SURFACE AREA = 1,190 SQ/FT.
APPROX. TOTAL SHIPPING WEIGHT = 15,400 LBS. BLDG AND SKID

- 2 - 36" x 36" LOUVERS c/w 120V GP ACTUATORS & STORM HOODS.
- 1 - 40" x 40" LOUVER c/w 120V GP ACTUATOR & STORM HOOD.
- 2 - 48" x 48" LOUVERS c/w 120V GP ACTUATORS & STORM HOODS.
- 2 - 18" GP CANARM WALL EXHAUST FANS c/w 120-204V, 1Ph, 60Hz, 1/2Hp, STORM HOODS (2600cfm EACH).

LEGEND

DS = DOUBLE GLAZED	CC = CHECK CHAIN
IWG = INDUSTRIAL WIRE GLASS	WS = WEATHER STRIPPING
RH = RIGHT HAND SWING	DC = HYDRAULIC CLOSURE
LH = LEFT HAND SWING	SG = INTERIOR SLIDE GATE
PH = PANIC HARDWARE	GA = GAUGE

NOTE:
ALL WALL PANELS ARE TO BE TYPICAL R/S (BIG / SMALL ENDS) PANELS LESS NOTED.



WARWICK INDUSTRIES LTD.

6999 84 ST SE, Calgary, Alberta, T2C 4T8
Telephone (403) 720-9425, Fax (403) 720-9426

Dwg Name	SHOP & FIELD PRINT
Rev. No.	0
Description	FOR APPROVAL
Rev. No.	1
Description	PER APPROVED
Rev. No.	2
Description	FOR CONSTRUCTION
CUSTOMER	SIMSON MAXWELL
REFERENCE	CANADIAN SPIRITS / EXCELSIOR 08C306
CUSTOMER P.O.#	
LOCATION	WARWICK'S YARD IN CALGARY
DATE REQUIRED	NOV. 2008
JOB NUMBER	WOR-21538

NOTES:

- EXTERIOR WALLS TO BE: 22 GA TAN (QC8315)
- EXTERIOR ROOF TO BE: 22 GA METRO BROWN (QC8228)
- EXTERIOR TRIM TO BE: 22 GA METRO BROWN (QC8228)
- DOORS TO BE PAINTED: METRO BROWN (QC8228)
- INTERIOR LINER TO BE: 20GA 10% WHITE PERF. ALUM. ABOVE 3' AND 24GA WHITE ALUM. BELOW 3'
- INSULATION IN ROOF: R-20
- INSULATION IN WALLS: R-12
- VAPOUR BARRIER TO BE: 4 MIL

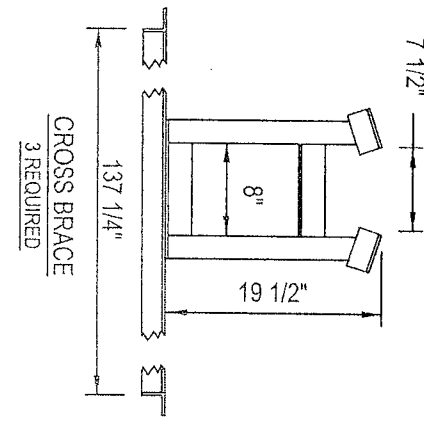
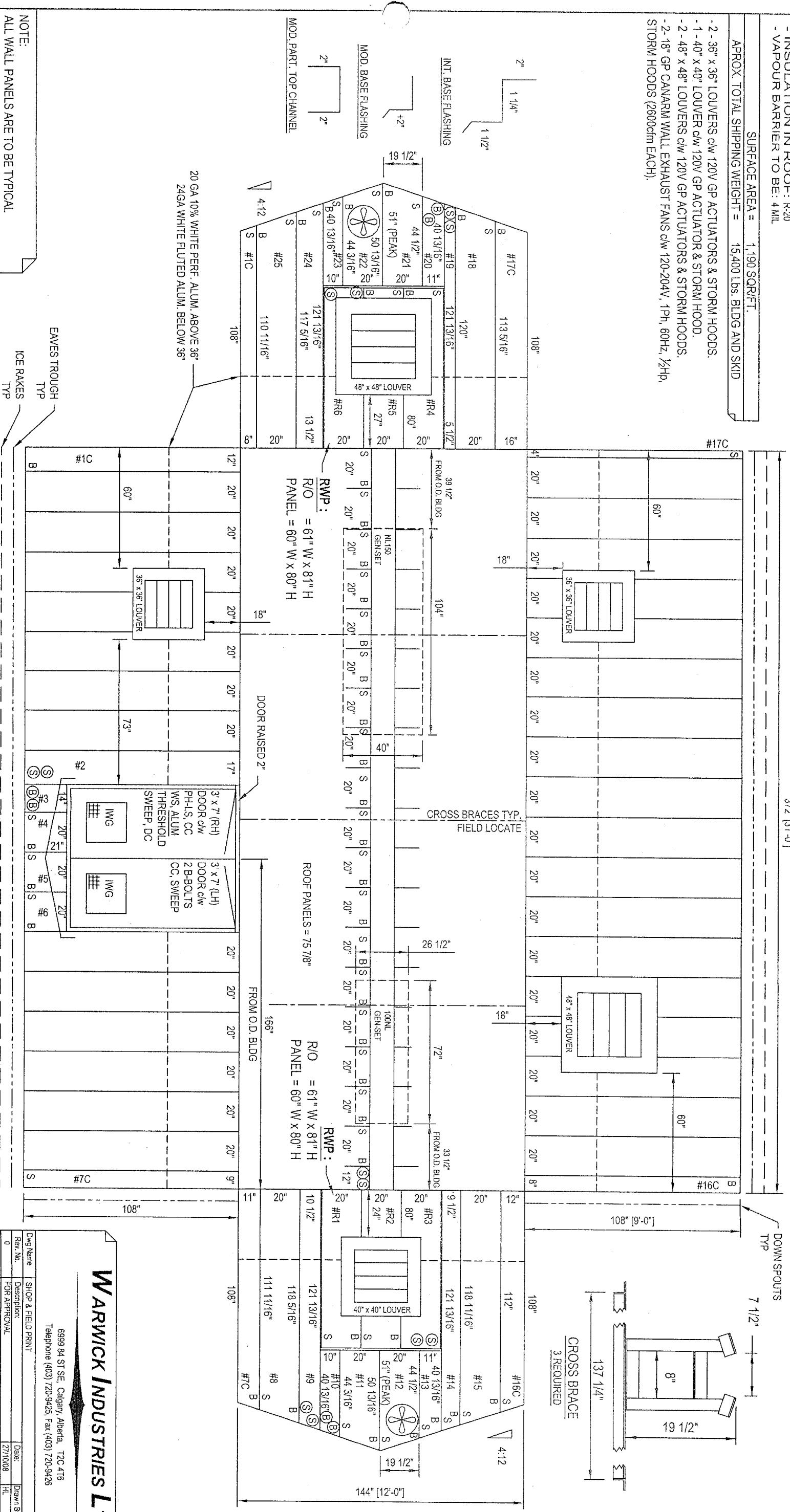
SURFACE AREA = 1,190 SQ/FT.
APPROX. TOTAL SHIPPING WEIGHT = 15,400 LBS. BLDG AND SKID

- 2 - 36" x 36" LOUVERS c/w 120V GP ACTUATORS & STORM HOODS.
- 1 - 40" x 40" LOUVER c/w 120V GP ACTUATOR & STORM HOOD.
- 2 - 48" x 48" LOUVERS c/w 120V GP ACTUATORS & STORM HOODS.
- 2 - 18" GP CANARM WALL EXHAUST FANS c/w 120-204V, 1Ph, 60Hz, 1/2hp, STORM HOODS (2600cfm EACH).

LEGEND

DS = DOUBLE GLAZED	CC = CHECK CHAIN
IWG = INDUSTRIAL WIRE GLASS	WS = WEATHERSTRIPPING
RH = RIGHT HAND SWING	DC = HYDRAULIC CLOSURE
LH = LEFT HAND SWING	SG = INTERIOR SLIDE GATE
PH = PANIC HARDWARE	GA = GAUGE
INR = INSULATED	INR = INSULATED

NOTE:
ALL WALL PANELS ARE TO BE TYPICAL R/S (BIG / SMALL ENDS) PANELS UNLESS NOTED.

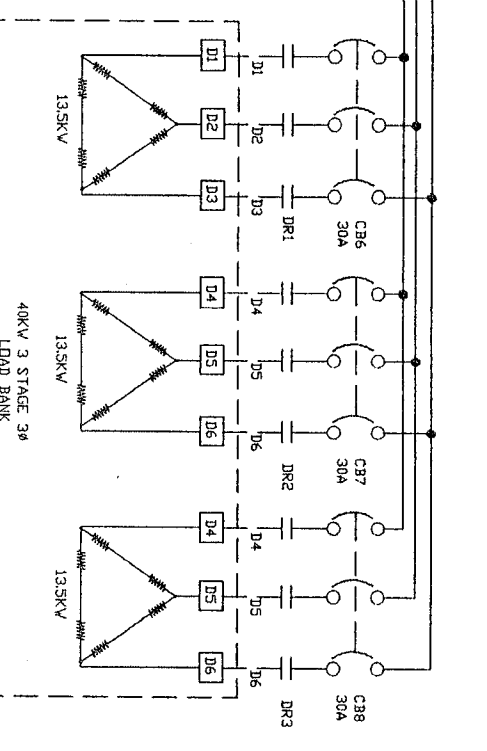
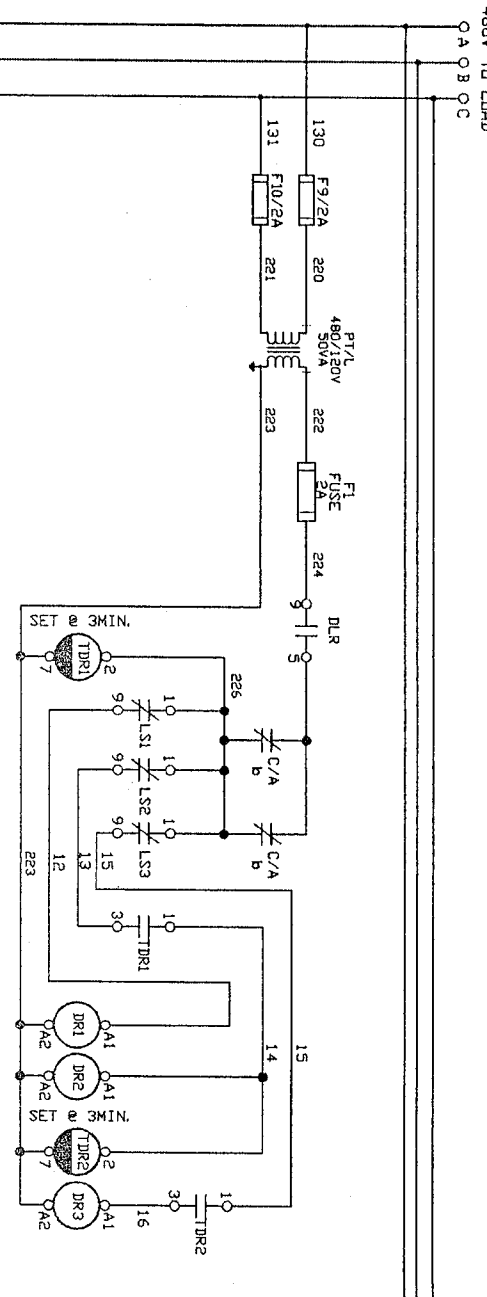


WARWICK INDUSTRIES LTD.

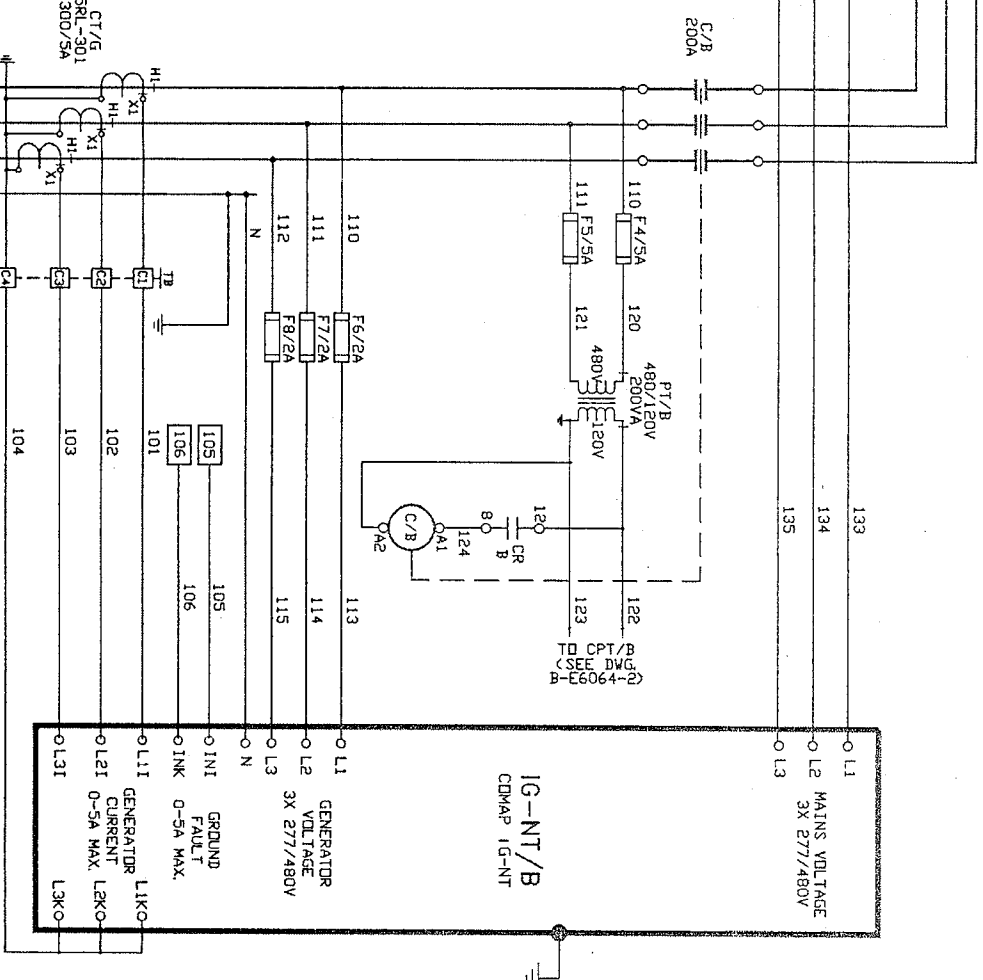
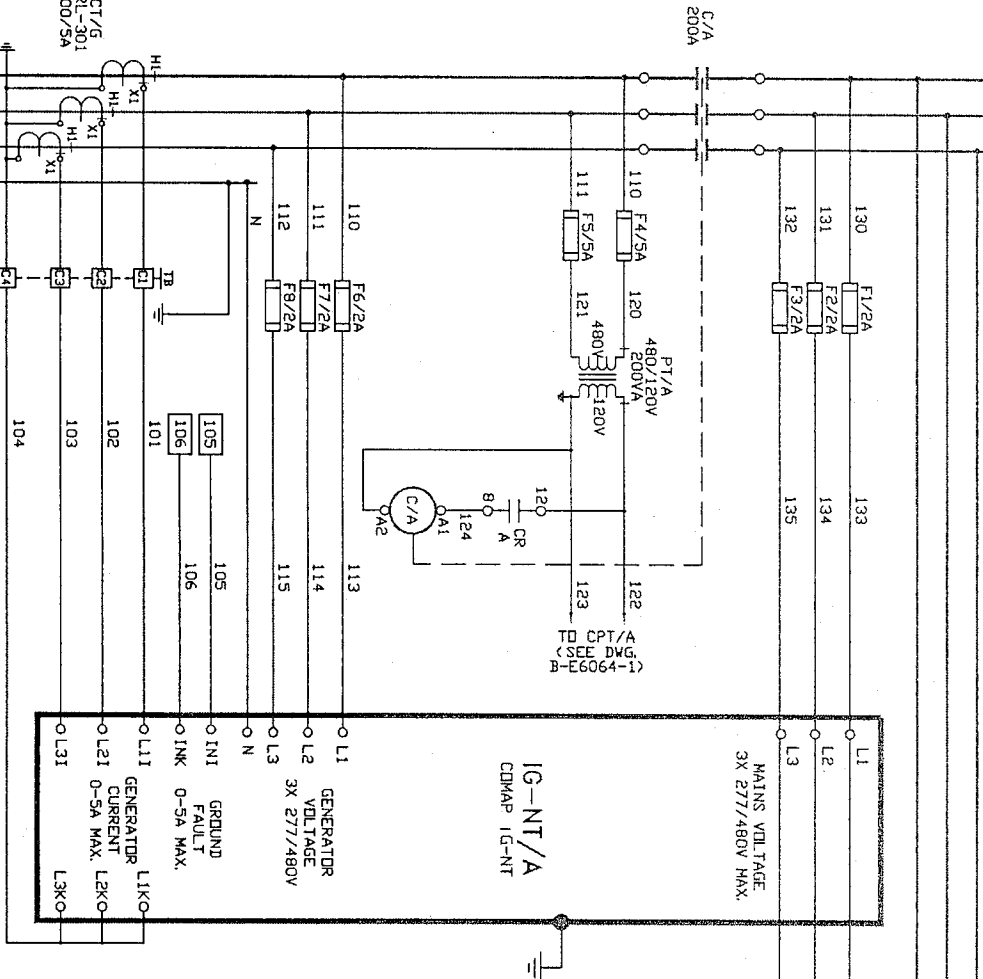
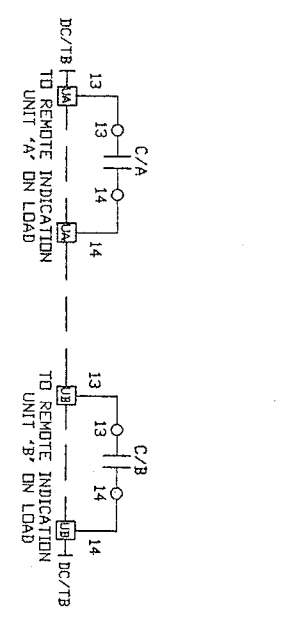
6999 84 ST SE, Calgary, Alberta, T2C 4T8
Telephone (403) 720-9425, Fax (403) 720-9426

Dwg Name: SHOP & FIELD PRINT	
Rev. No.	Description
0	FOR APPROVAL
1	PER APPROVED
2	FOR CONSTRUCTION
CUSTOMER	SIMSON MAXWELL
REFERENCE	CANADIAN SPIRITS / EXCELSIOR 08C306
CUSTOMER P.O.#	
LOCATION	WARWICK'S YARD IN CALGARY
DATE REQUIRED	NOV. 2008
INR IN RATED	INR 21525

480V TO L/DAD
O A O B O C



- LEGEND**
- C - CONTACTOR
 - CB# - AC SENSING AND CONTROL CIRCUIT BREAKER
 - CT - CURRENT TRANSFORMER
 - IG-NT - MODULAR GENSET CONTROLLER
 - PT - POTENTIAL TRANSFORMER

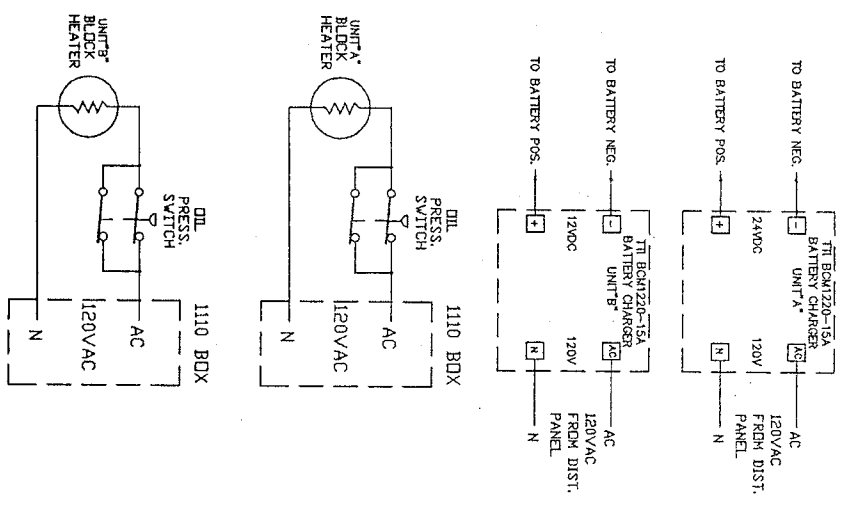


277/480V FROM UNIT 'A'
(SEE B-E6064-1)

277/480V FROM UNIT 'B'
(SEE B-E6064-2)

COLOR CODING FOR UNIT WIRING

UNIT 'A'	UNIT 'B'	COMMON
AC	BLUE	GRAY
DC	ORANGE	BROWN
	YELLOW	RED



RELEASED TO PRODUCTION

CUSTOMER: S/M CALGARY
CANADIAN SPIRITS

NOTES:

NO.	DESCRIPTION	CHECKED BY:	DATE:
1	ALL WIRING IS #16AWG TYPE TEW		10/17/08

DATE: 10/17/08

REVISIONS

NO.	DATE	BY	DESCRIPTION

TITLE: SCHEMATIC DIAGRAM OF 2 UNIT AC PARALLELING GCP-PP3400/ASX2 277/480V, 3Ø-4W+G, 60HZ

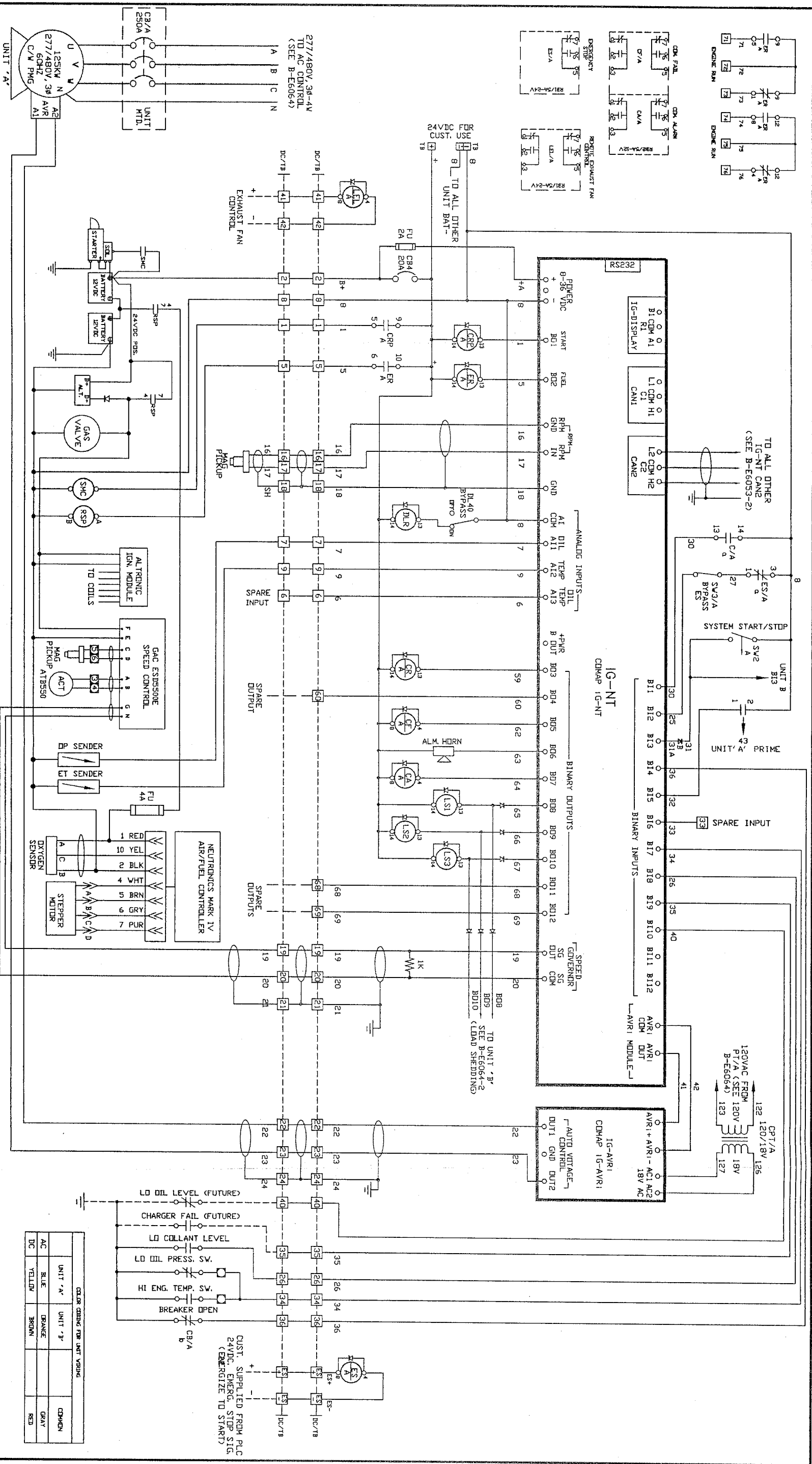
NO CUSTOMER APPROVAL REQUIRED

08C306

THIS DRAWING CONTAINS CONFIDENTIAL INFORMATION OF A PROPRIETARY NATURE TO SIMAXX INC. REPRODUCTION, TRANSMISSION OR USE FOR ANY PURPOSE WITHOUT THE EXPRESS WRITTEN CONSENT OF SIMAXX INC. IS STRICTLY PROHIBITED.

SCALE: N.T.S. DRAWING NO: B-E6064

REV: 0 SIZE: B



277/480V, 3Ø-4W
TD AC CONTROL
(SEE B-E6064)
A B C N

277/480V, 3Ø
AVR
C/V PMG
A1

UNIT 'A'

UNIT 'B'

COMMON
GRAY
RED

THIS DRAWING CONTAINS CONFIDENTIAL INFORMATION OF A PROPRIETARY NATURE TO SIMAX INC. REPRODUCTION, TRANSMISSION OR USE FOR ANY PURPOSE WITHOUT THE EXPRESS WRITTEN CONSENT OF SIMAX INC. IS STRICTLY PROHIBITED.

RELEASED TO PRODUCTION

CUSTOMER:
S/M CALGARY
CANADIAN SPIRITS

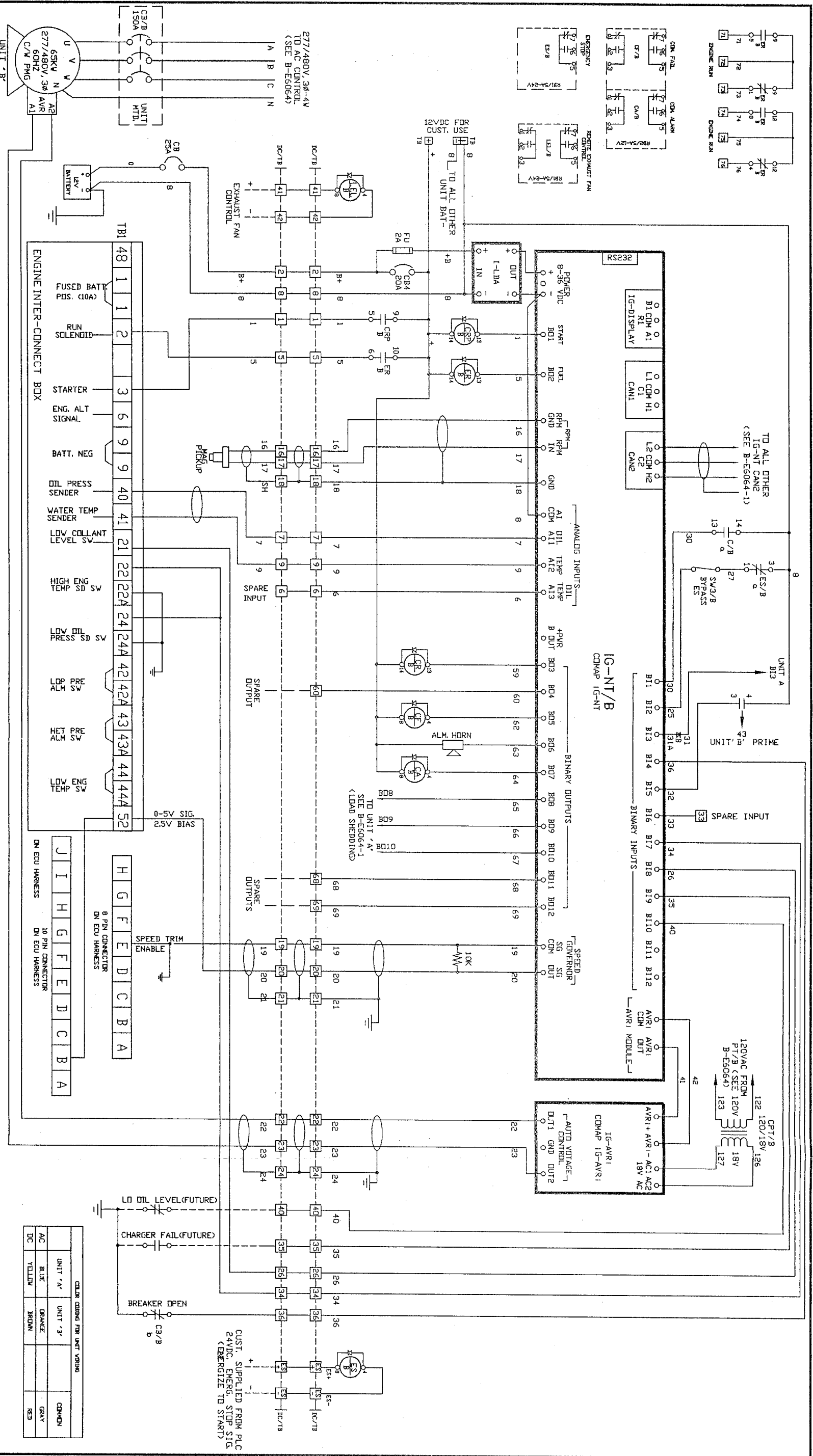
NO CUSTOMER APPROVAL REQUIRED

08C306

NO.	DATE	BY	DESCRIPTION
1	01/06/09	GL	ES05500E SPEED CONN.REV.
2	01/20/09	QL	AS INSTALLED

NO.	DESCRIPTION	DRAWN BY:	G.P.LAPOINTE	DATE:	10/17/08

SCHEMATIC DIAGRAM OF GEN. CONTROL DC WIRING UNIT 'A' (NL150)
SCALE: N.T.S.
DRAWING NO: B-E6064-1
REV: 2
SIZE: B



THIS DRAWING CONTAINS CONFIDENTIAL INFORMATION OF A PROPRIETARY NATURE TO SIMAXX INC. REPRODUCTION, TRANSMISSION OR USE FOR ANY PURPOSE WITHOUT THE EXPRESS WRITTEN CONSENT OF SIMAXX INC. IS STRICTLY PROHIBITED.

RELEASED TO PRODUCTION

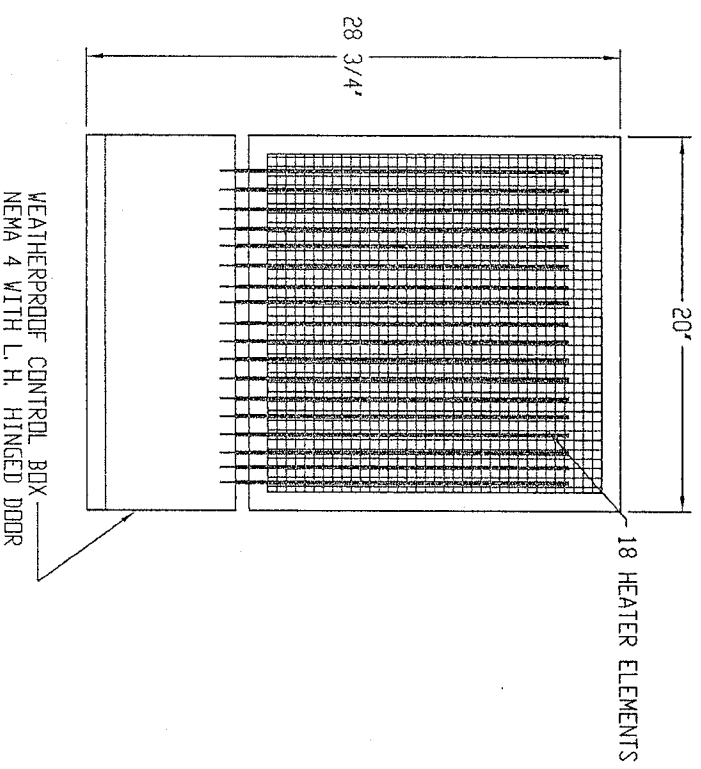
CUSTOMER: S/M CALGARY
CANADIAN SPIRITS

NO.	DESCRIPTION	DRAWN BY:	DATE:
		G.P. LAPOINTE	10/17/08

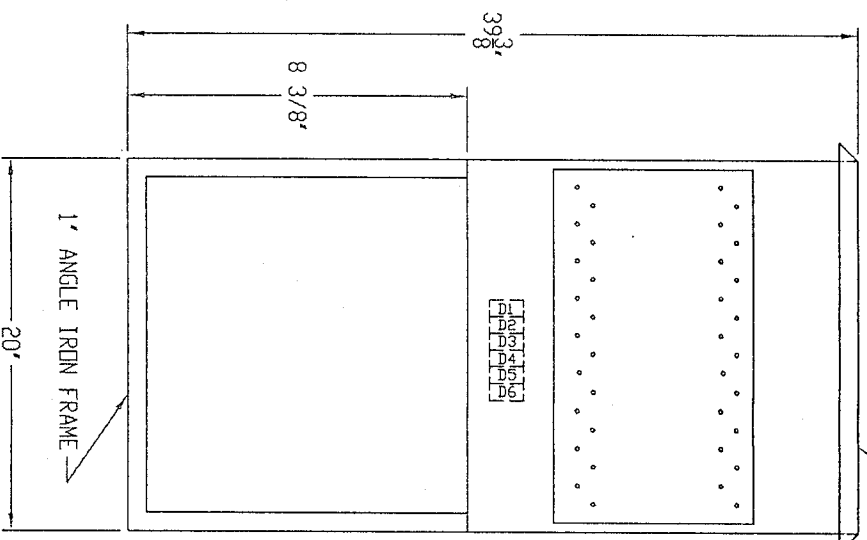
NO.	DATE	BY	DESCRIPTION
1	01/05/09	GL	SPEED SIG. REV.
2	01/20/09	GL	AS INSTALLED

TITLE: SCHEMATIC DIAGRAM OF GEN. CONTROL DC WIRING UNIT "B" (ONL100)

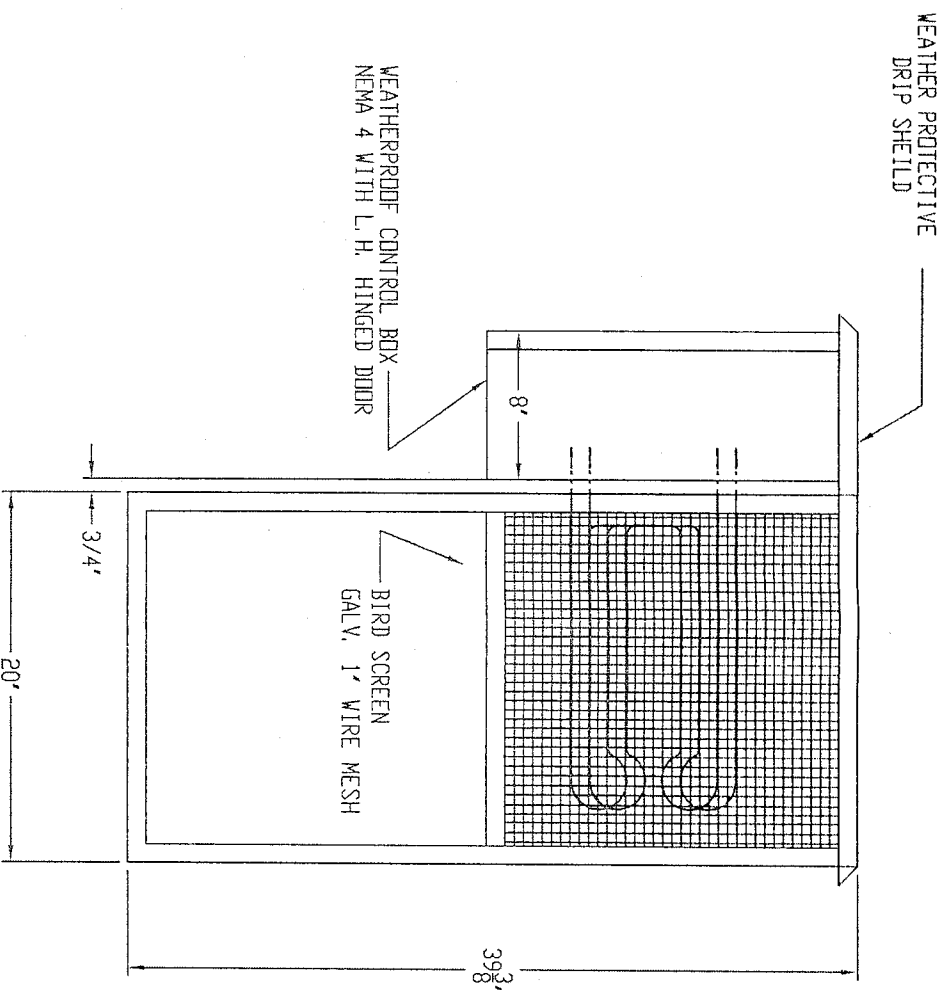
SCALE: N.T.S. DRAWING NO: B-E6064-2 REV: 2 SIZE: B



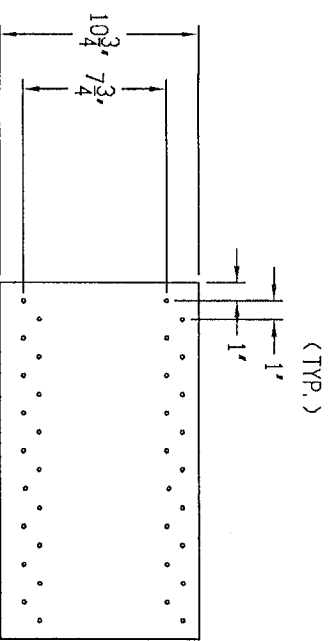
PLAN VIEW
DRIP SHIELD REMOVED



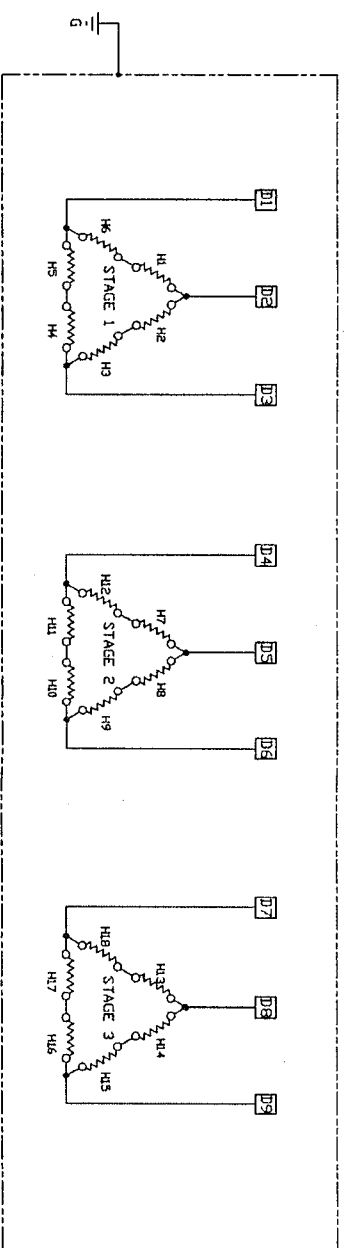
FRONT VIEW



SIDE VIEW



MOUNTING PLATE
DRILLING PATTERN



THIS DRAWING CONTAINS CONFIDENTIAL INFORMATION OF A PROPRIETARY NATURE TO SIMAX INC. REPRODUCTION, TRANSMISSION OR USE FOR ANY PURPOSE WITHOUT THE EXPRESS WRITTEN CONSENT OF SIMAX INC. IS STRICTLY PROHIBITED.

RELEASED TO PRODUCTION

NO CUSTOMER APPROVAL REQUIRED

CUSTOMER:

S/M CALGARY

EXCELSIOR ENGINEERING

08C020

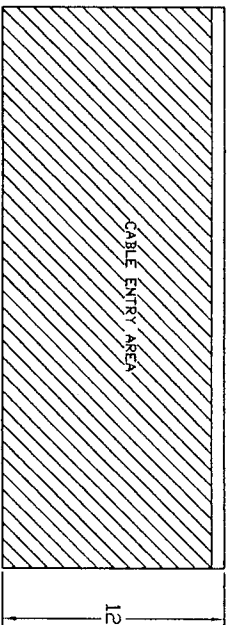
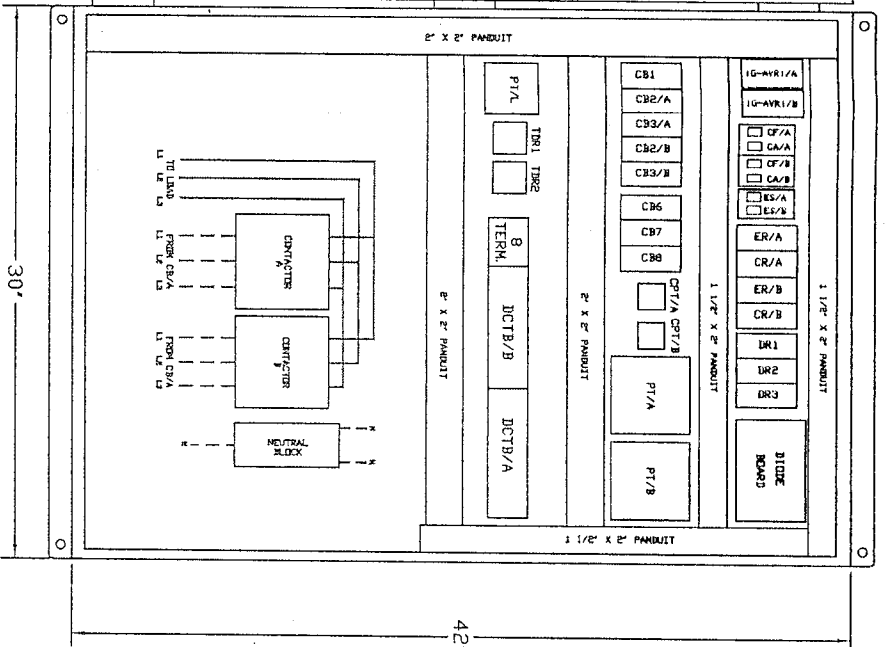
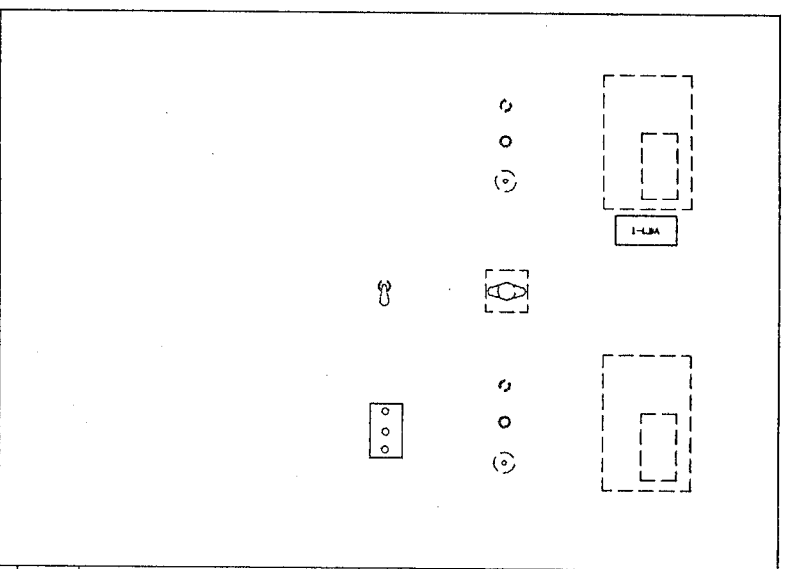
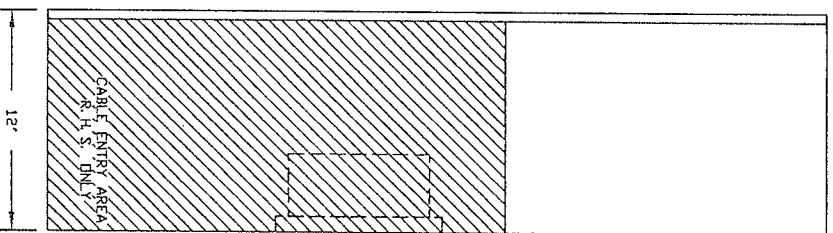
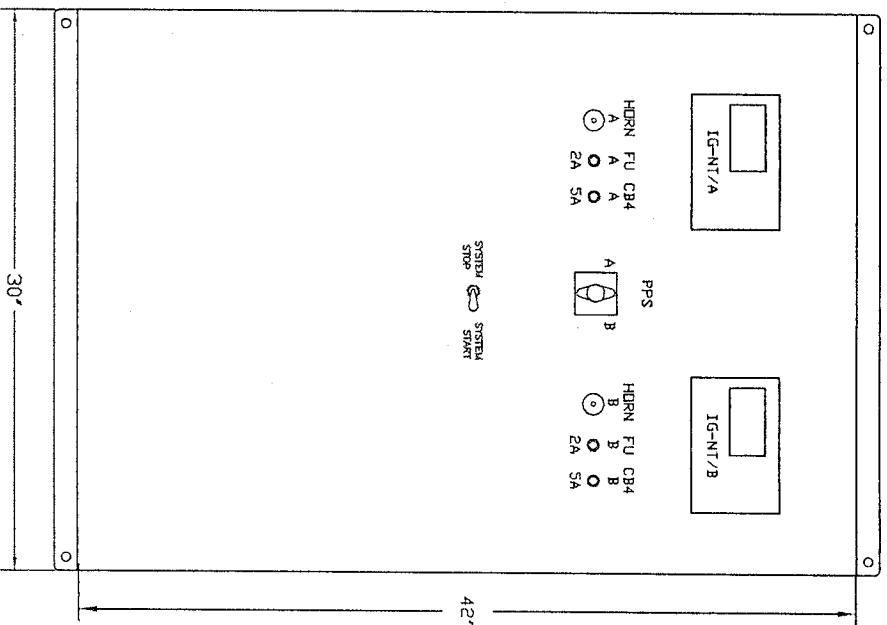
NOTES:		DRAWN BY: G.P.LAPOINTE		DATE:
NO.	DESCRIPTION	CHECKED BY:		07/03/08

REVISIONS		DATE:
NO.	DESCRIPTION	

S I M A X O N L L C

PHYSICAL LAYOUT OF
DL40 .3 STAGE, 18ELEMENT
480V 3Ø LOAD BANK

SCALE: 1:10
DRAWING NO: B-M6025
REV: 0
SIZE: B



BOTTOM VIEW

NOTE: LAYOUT IS APPROXIMATE AND MAY VARY DURING MANUFACTURE.

THIS DRAWING CONTAINS CONFIDENTIAL INFORMATION OF A PROPRIETARY NATURE TO SIMAX INC. REPRODUCTION, TRANSMISSION OR USE FOR ANY PURPOSE WITHOUT THE EXPRESS WRITTEN CONSENT OF SIMAX INC. IS STRICTLY PROHIBITED.

RELEASED TO PRODUCTION

CUSTOMER:

S/M CALGARY
CANADIAN SPIRITS

NOTES:

DRAWN BY: G.P.LAPOINTE
CHECKED BY:
DATE: 10/20/08

NO. DESCRIPTION
NO. DATE BY DESCRIPTION



S I M A X W E L L

TITLE: PHYSICAL LAYOUT OF
GENSET CONTROL MODEL GCP-PP3400/ASX2
277/480V, 3Ø-4W+G

NO CUSTOMER APPROVAL REQUIRED

08C306

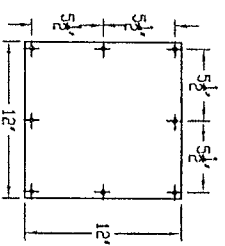
SCALE: 1"=10"
DRAWING NO: B-M6064

REV: 0
SIZE B

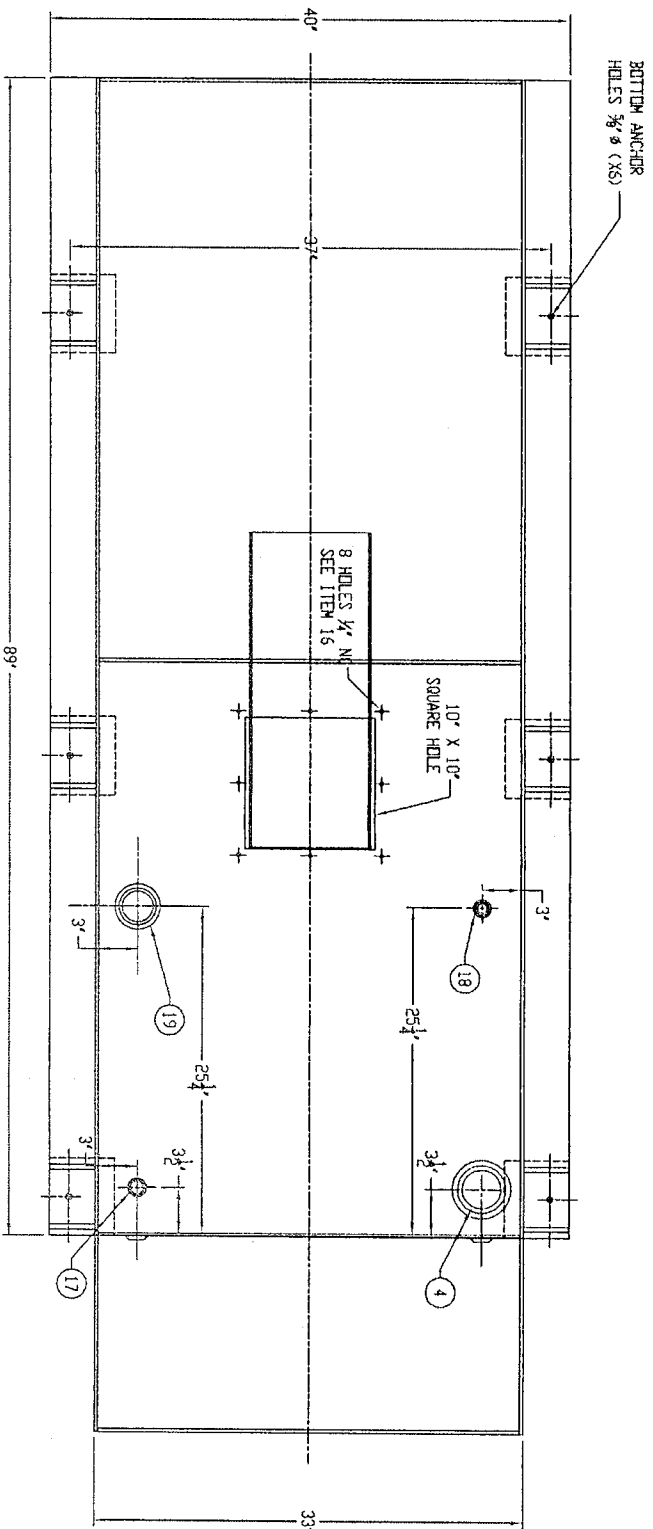
TOLERANCE UNLESS NOTED			
DIMENSIONS	X.X	X.XX	X.XXX
INCH	±1/16"	±1/64"	±1/128"
MM	±1.0	±0.375	±0.125
ANGLE	±0.5		



HOLES TO SUIT 1/4 NC BOLTS .3125

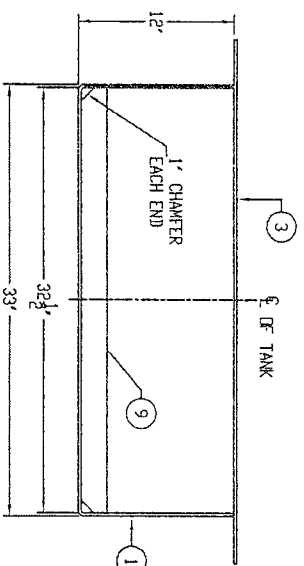


ITEM 16

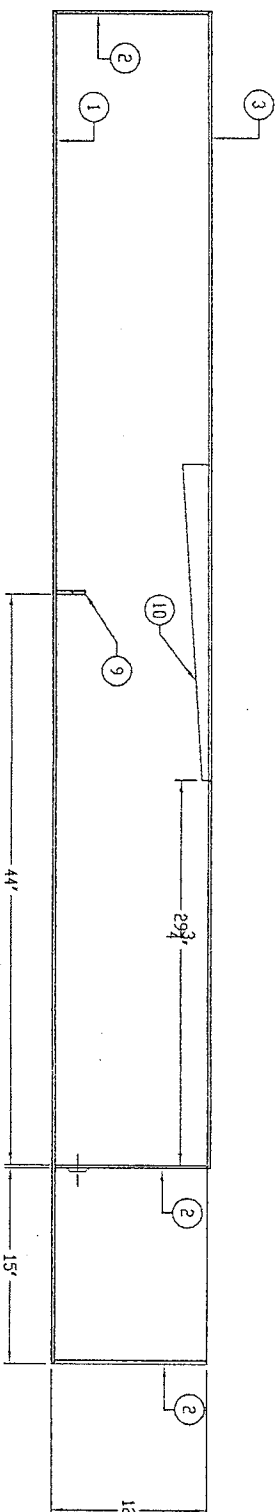


TOP VIEW

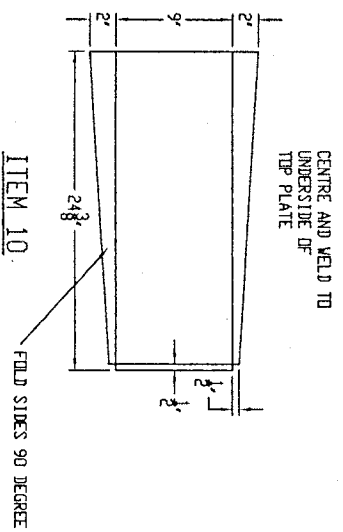
ITEM	QTY	DESCRIPTION
1	1	ST. PL. 1/4" U-SHAPE (12'+33'+12') W/DX104"
2	3	ST. PL. 1/4" X .32 1/2" X L1 3/4"
3	1	ST. PL. 1/4" X 89" X 40"
4	1	SCULLY 3" NPT
5	6	F/B 3/8" X 5/8" X 6"
6		
7	12	F/B 3/8" X 3 1/2" X 12" LONG
8		
9	1	F/B 1/4" X 2" X 32 1/2" LONG 1" CHAMFER AT EACH END
10	1	TRAY SEE DETAIL 10 GA RAD
11		
12		
13		
14		
15		
16	1	1/4" THK. HRS CUT 12X12"
17	3	SCULLY 1" NPT
18	1	SCULLY 3/4" NPT
19	1	SCULLY 2" NPT



INNER END VIEW

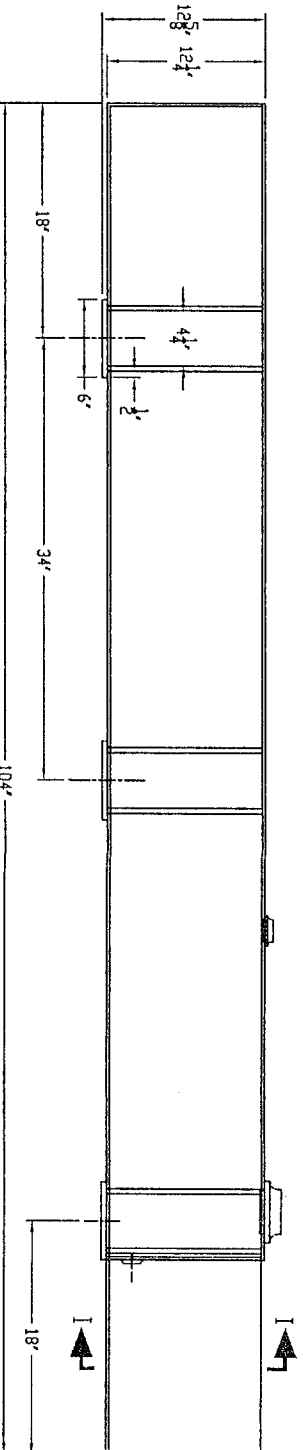


INNER SIDE VIEW

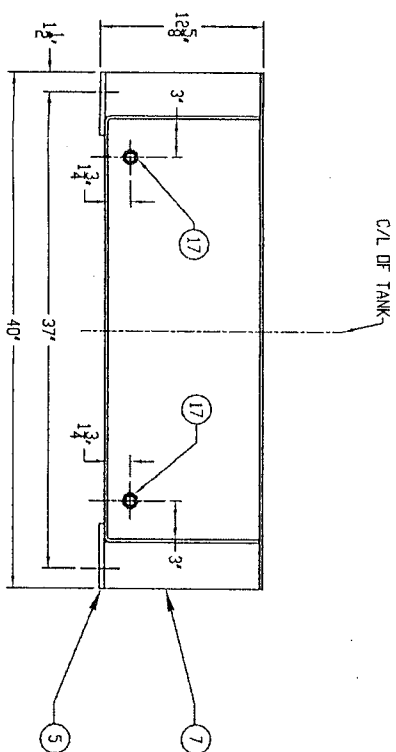


ITEM 10

SIDE VIEW



SECTION I



C/L OF TANK

1/4 BEND RAD

CENTRE AND WELD TO
UNDERSIDE OF
TOP PLATE

THIS DRAWING CONTAINS CONFIDENTIAL INFORMATION OF A PROPRIETARY NATURE TO SIMAX INC. REPRODUCTION, TRANSMISSION OR USE FOR ANY PURPOSE WITHOUT THE EXPRESS WRITTEN CONSENT OF SIMAX INC. IS STRICTLY PROHIBITED.

TOLERANCE UNLESS NOTED

DIMENSIONS	XX	XXX	XXXX
INCH	±1/16"	±1/64"	±1/128"
MM	±1.0	±0.375	±0.125

THIRD ANGLE

FOR GENERAL USE

DESIGN HAS BEEN PREVIOUSLY IMPLEMENTED

CUSTOMER: STANDARD DRAWING

NOTES:

NO.	DESCRIPTION

DRAWN BY: ROCKY C
CHECKED BY:
DATE: 06/30/08

REVISIONS

NO.	DATE	BY	DESCRIPTION

TITLE: 45 GAL DRY SUMP ENCL150FRZ4 ENCLOSURE

SCALE: DRAWING NO: 45G DRY SUMP-1

REV: 0 SIZE: B

