

Quincy QR-25[®] Series Model 325

Parts Manual · Record of Change 105

This manual contains important safety information and should be made available to all personnel who operate and/or maintain this product. Carefully read this manual before attempting to operate or perform maintenance on this compressor.

Fill Out & Return
Warranty Registration Card Located Inside



Quincy Compressor[®]

True Blue Reliability[™]

Manual No. 50215-105

July 2000 Edition

INTRODUCTION

This manual provides information for the following QR-25 Series, Model 325 (Record of Change 105) compressor versions:

- P Control Version P**
plain head assembly & no controls
- L Control Version L**
head assembly with 1 unloader tower & a hydraulic unloader
- S Control Version S**
head assembly with 2 unloader towers & a pilot valve
- LS Control Version LS**
head assembly with 2 unloader towers, a hydraulic unloader, & a pilot valve with a check valve assembly
- LVD Control Version LVD**
head assembly with 2 unloader towers, a hydraulic unloader, & a pilot valve with a lockout & check valve

These compressors are aircooled, two stage, two cylinder, pressure lubricated compressors, with up to 200 p.s.i. continuous pressure capability (*201 to 500 p.s.i. intermittent pressure capability with proper configuration; consult factory*). The Model 325 has a 4.5" low pressure piston bore and a 2.5" high pressure piston bore and a 3" stroke and can be run at 400-900 r.p.m.

- Available options included in this manual:
- high pressure rated cylinder and head
 - spin-on oil filter
 - hooded air filter
 - hooded air filter / silencer

CHANGES

since previous printing dated January 1999:

- Valve adjustment bolt and nut were combined to create an assembly.
- Added crankcase lubricant capacity.
- Removed Coltec logo from serial # plate.
- Corrected crankshaft key orientation.
- Added intercooler replacement kits.

TABLE OF CONTENTS

- Serial Number Identification 2
- Ordering Replacement Parts 2
- Quin-Cip Oil 2
- Crankcase Lubricant Capacity 2
- Crankshaft Group 3-4
- Crankcase Group 5-6
- Bearing Carrier Groups
 - with oil filter 7-8
 - less oil filter 9-10
- Connecting Rod & Piston Groups
 - High Pressure 11-12
 - Low Pressure 13-14
- Cylinder & Head Groups
 - Control Version P 15-16
 - Control Version L 17-18
 - Control Versions S, LS, LVD 19-20
- Head Assemblies
 - Control Version P 21-22
 - Control Version L 23-24
 - Control Versions S, LS, LVD 25-26
- Control Groups
 - Version L 27
 - Version S 28
 - Version LS 29
 - Version LVD 30
- Pilot Valves 31
- Pilot Valve Repair Kit 31
- Differential Setting Charts 31
- Suction Valve Unloader Assemblies 32
- Gasket Set 33
- Kits 33
- Recommended Spare Parts 34
- Decals 34
- Typical Unit Repair Parts List 35-37

MODEL & SERIAL NUMBER IDENTIFICATION

Record
of
Change No.

MODEL		
SERIAL NO.		
Quincy Compressor Division		
110831		

**Model & Serial Number
Identification Tag**

The model & serial number tag is located on the handhole plate side of the crankcase. Fill in the numbers from your compressor's tag in the corresponding spaces provided here and reference this page when ordering replacement parts.

All replacement parts are to be ordered through an authorized Quincy Compressor Distributor. Insist on genuine Quincy parts only! Failure to do so may void warranty.

ORDERING REPLACEMENT PARTS

Prompt service can be rendered on repair parts orders if the following information is given:

- Item 1)** the model number, record of change number, & serial number.
- Item 2)** the exact part number needed. (Do not order by item numbers.)
- Item 3)** the exact quantity needed.
- Item 4)** the preferred type of transportation

QUIN-CIP® OIL

Refer to the chart below to order Quin-Cip compressor oil from your local Authorized Quincy Distributor.

Package	Part No.	Description
Barrel	112541D032	55 gal., SAE 10W
Pail	112541P032	5 gal., SAE 10W
Gallon	112541G032	1 gal., SAE 10W
Gallon Case	112541X032	(4)-1 gal., SAE 10W
Quart	112541Q032	1 qt., SAE 10W
Quart Case	112541C032	(12)-1 qt., SAE 10W
<hr/>		
Barrel	112542D068	55 gal., SAE 20
Pail	112542P068	5 gal., SAE 20
Gallon	112542G068	1 gal., SAE 20
Gallon Case	112542X068	(4)-1 gal., SAE 20
Quart	112542Q068	1 qt., SAE 20
Quart Case	112542C068	(12)-1 qt., SAE 20
<hr/>		
Barrel	112543D100	55 gal., SAE 30
Pail	112543P100	5 gal., SAE 30
Gallon	112543G100	1 gal., SAE 30
Gallon Case	112543X100	(4)-1 gal., SAE 30
Quart	112543Q100	1 qt., SAE 30
Quart Case	112543C100	(12)-1 qt., SAE 30

CRANKCASE LUBRICANT CAPACITY

Model	Capacity
QR 325	1 Qt - 16 Oz. (1.42 lit.)

CAUTION !

Refer to the Quincy QR-25 Series instruction manual for vital lubrication information.

CAUTION !

Follow all safety precautions outlined in the QR-25 Series instruction manual.

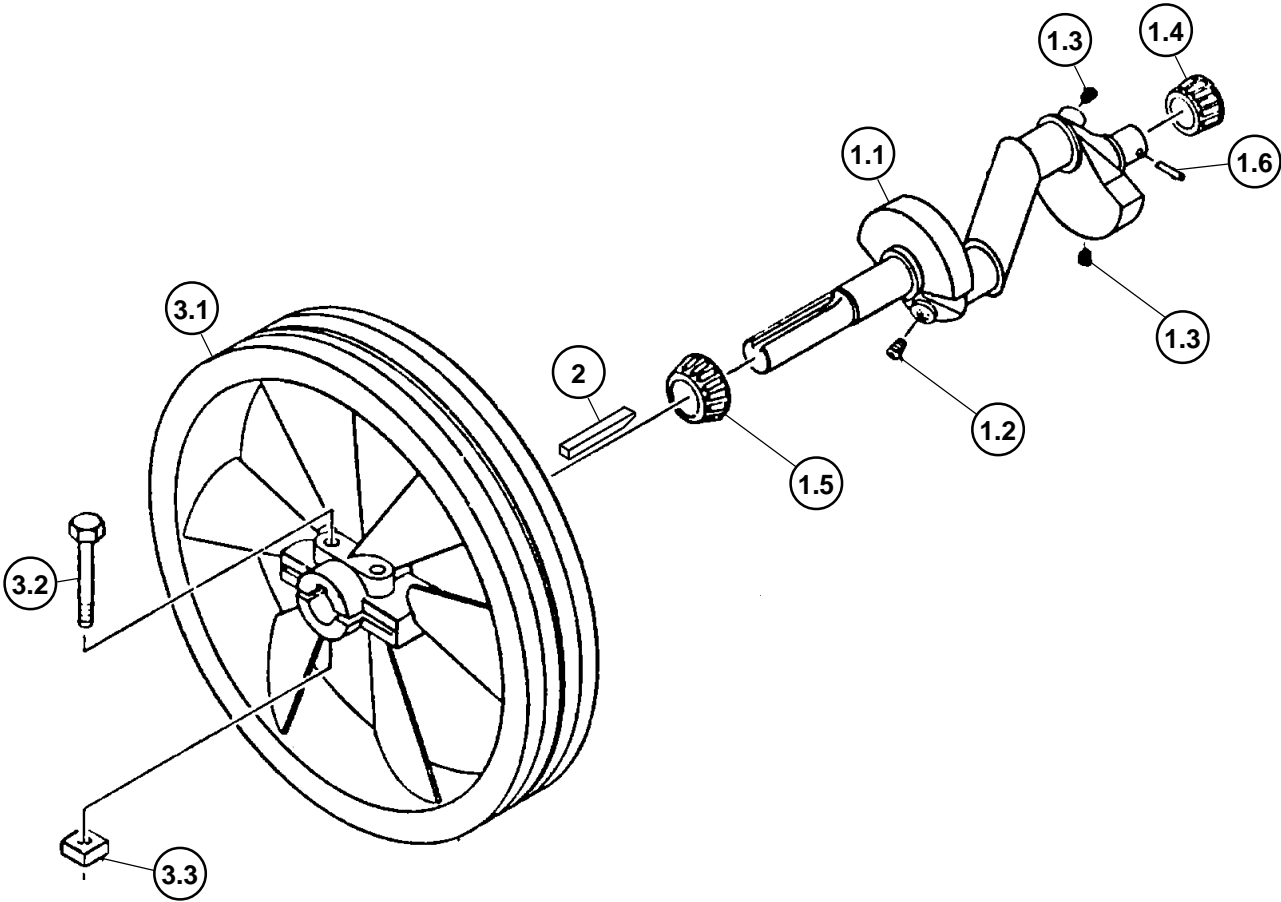
WARNING !

Do not operate this compressor without a totally enclosed belt guard or any other required safety equipment.

DANGER !

Air used for breathing or food processing must meet O.S.H.A. 1910.134 or F.D.A. 21 C.F.R. 178.3570 regulations. Failure to do so may cause severe injury or death.

CRANKSHAFT GROUP 110238



CRANKSHAFT GROUP 110238

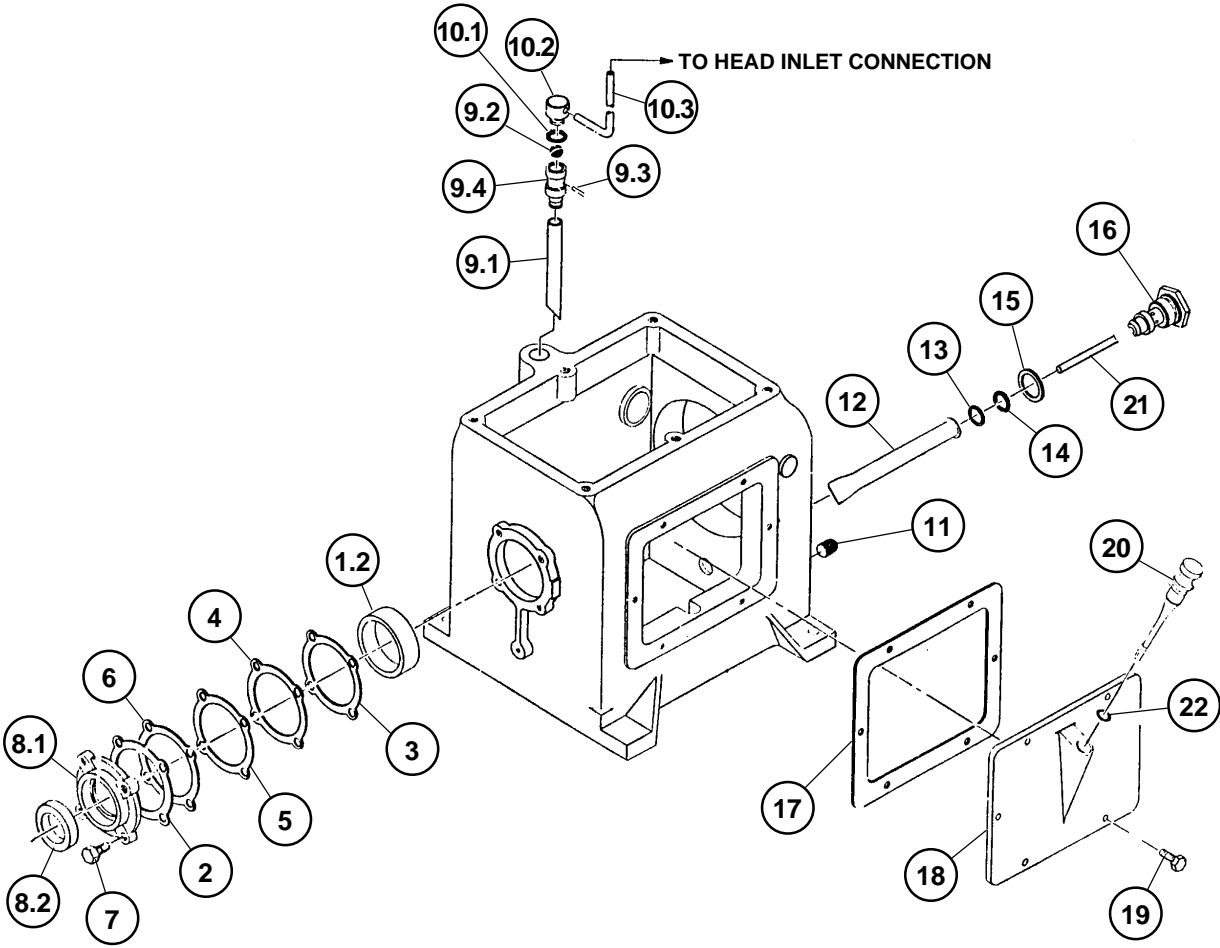
Item Number	Qty.	Part Number	Description
1	1	110217	crankshaft assembly
1.1	1	110216	crankshaft (N.S.S.; order 110217)
1.2	1	110234	orifice, 1/8 npt
1.3	2	121160	pipe plug, 1/8 npt
1.4	1	2585	bearing cone
1.5	1	2788	bearing cone
1.6	1	110705-F15	pin
2	1	1466	key
3	1	110472X	sheave assembly
3.1	1	110472	sheave, 16", 2 groove, B sect., ccw (N.S.S.; order 110472X)
3.2	2	123478-N23	hex. screw, 1/2-13 unc x 3.25, grade 5 (@ 75 ft.-lbs.)
3.3	2	124372-N02	square nut, 1/2-13 unf
		or	
For basic compressors used on FE 325 units:			
3	1	8223X	sheave assembly
3.1	1	8223	sheave, 14", 1 groove, B sect., ccw (N.S.S.; order 8223X)
3.2	1	123478-N18	hex. screw, 1/2-13 unc x 2.25, grade 5 (@ 75 ft.-lbs.)
3.3	1	124372-N02	square nut, 1/2-13 unc
		or	
For basic compressors used on HT 325 units:			
3	1	6227X	sheave assembly
3.1	1	6227	sheave, compressor, 14", 2G, B sect., ccw (N.S.S.; order 6227X)
3.2	1	123478-N18	hex. screw, 1/2-13 unc x 2.25, grade 5 (@ 75 ft.-lbs.)
3.3	1	124372-N02	square nut, 1/2-13 unc

N.S.S. = Not Sold Separate

@ Indicates torque value in foot pounds (dry threads)

Note: For reversal of compressor rotation refer to QR-25 instruction manual.

CRANKCASE GROUP 110237



CRANKCASE GROUP 110237

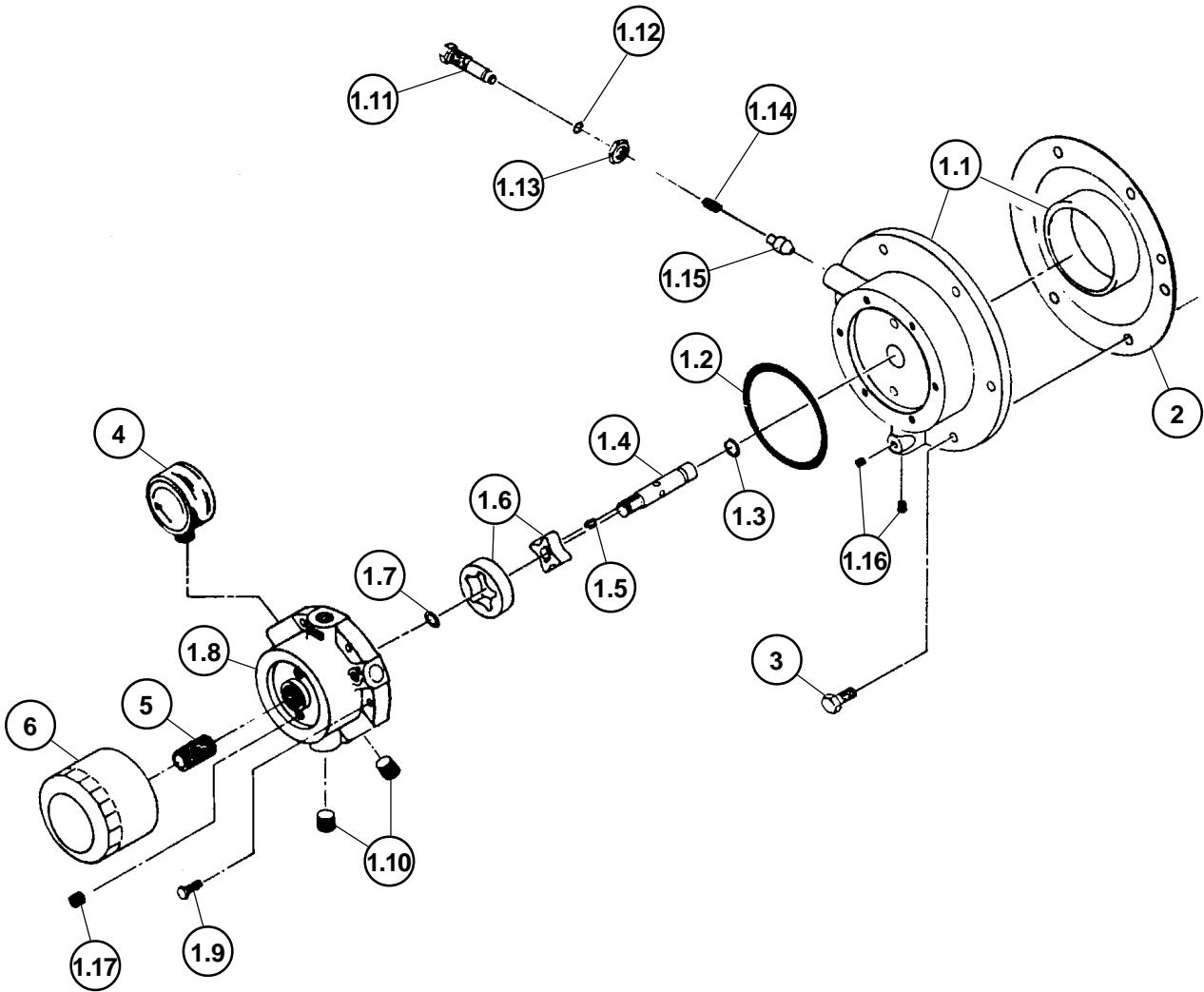
Item Number	Qty.	Part Number	Description
1	1	5503X003	crankcase assembly
1.1	1	5503-003	crankcase
1.2	1	2720	bearing cup
2	*	6294D	bearing adj. shim, .002 steel
3	*	6294	bearing adj. shim, .005 steel
4	*	6294A	bearing adj. shim, .007 steel
5	*	6294B	bearing adj. shim, .020 steel
6	*	6294C	bearing adj. shim, .005 paper
7	4	123478-L10	hex. screw, 3/8-16 unc x .75, grade 5 (@ 30 ft.-lbs.)
8	1	5506X1	bearing adjustment plate assembly
8.1	1	5506	adjustment plate
8.2	1	6316	oil seal
9	1	6324X	breather assembly
9.1	1	6321	breather tube
9.2	1	6322	breather ball
9.3	1	110705-C11	roll pin, 3/32 x .81
9.4	1	6324	breather body
10	1	6336X	breather assembly
10.1	1	123157-111	"o"ring, 3/32 wide x .62 o.d.
10.2	1	6325	breather cap
10.3	3 ft.	110515-031	copper tube, 5/16 o.d.
11	1	1301	pipe plug, 3/8 npt
12	1	6272	screen
13	1	6313	gasket, inlet screw
14	1	123157-116	"o"ring, 3/32 wide x .94 o.d.
15	1	6275	gasket, inlet screw
16	1	6273	inlet screw
17	1	1840	gasket, inspection plate
18	1	2322-1	inspection plate, oil filler type
19	6	123478-K12	hex. screw, 5/16-18 unc x 1.00, grade 5 (@ 12 ft.-lbs.)
20	1	110070-3	oil gauge
21	1	8270	inlet tube
22	1	123157-112	"o"ring, 3/32 wide x .69 o.d.
Maintenance Parts			
8.2	1	6316	oil seal
Parts for use with diester or phosphate ester synthetic based lubricants			
10.1	1	22749-111	"o"ring, 3/32 wide x .62 o.d.
14	1	22749-116	"o"ring, 3/32 wide x .94 o.d.
22	1	22749-112	"o"ring, 3/32 wide x .69 o.d.

* Quantity as required

@ Indicates torque value (dry threads).

BEARING CARRIER GROUP 110816-001

(with oil filter)



BEARING CARRIER GROUP 110816-001

(with oil filter)

Item Number	Qty.	Part Number	Description
* 1	1	110810-003	bearing carrier assembly (N.S.S.; order 110810X003)
1.1	1	110810	bearing carrier (N.S.S.; order 110810X003)
	1	2523	bearing cup
	2	160005	bushing
* 1.2	1	123157-152	"o"ring, 3/32 wide x 3.44 o.d.
* 1.3	1	123157-112	"o"ring, 3/32 wide x .69 o.d.
1.4	1	160002-002	driveshaft
1.5	1	160075-001	driveshaft key
1.6	1	160003	pump gerotor
1.7	1	6285	retaining ring
1.8	1	110813-001	oil pump housing
1.9	6	123777-J12	hex. screw, 1/4-20 unc x 1.00, grade 5 (@ 6 ft.-lbs.)
§ 1.10	2	2719	pipe plug, 1/4 npt, hex socket
1.11	1	5489	adjustment screw
* 1.12	1	123157-011	"o"ring, 1/16 wide x .44 o.d.
1.13	1	124369-P02	jamnut, 9/16-18 unf
1.14	1	1160	spring
1.15	1	112857	needle valve
1.16	2	6565	hole plug
1.17	1	121160	pipe plug, 1/8 npt
2	1	6312	gasket, bearing carrier
3	6	123478-L12	hex. screw, 3/8-16 unc x 1.00, grade 5 (@ 30 ft.-lbs.)
§ 4	1	110822	oil pressure gauge
5	1	110825	stud
Maintenance Parts			
* 6	1	110814-001	6 pack of oil filters
		160078	Oil Pump Repair Kit includes "o"rings, driveshaft, key, pump gerotor, & retaining ring
		110810X003	Replacement Bearing Carrier Assembly includes bearing carrier assy., oil filter, stud, & bearing carrier gasket

N.S.S. = Not Sold Separate

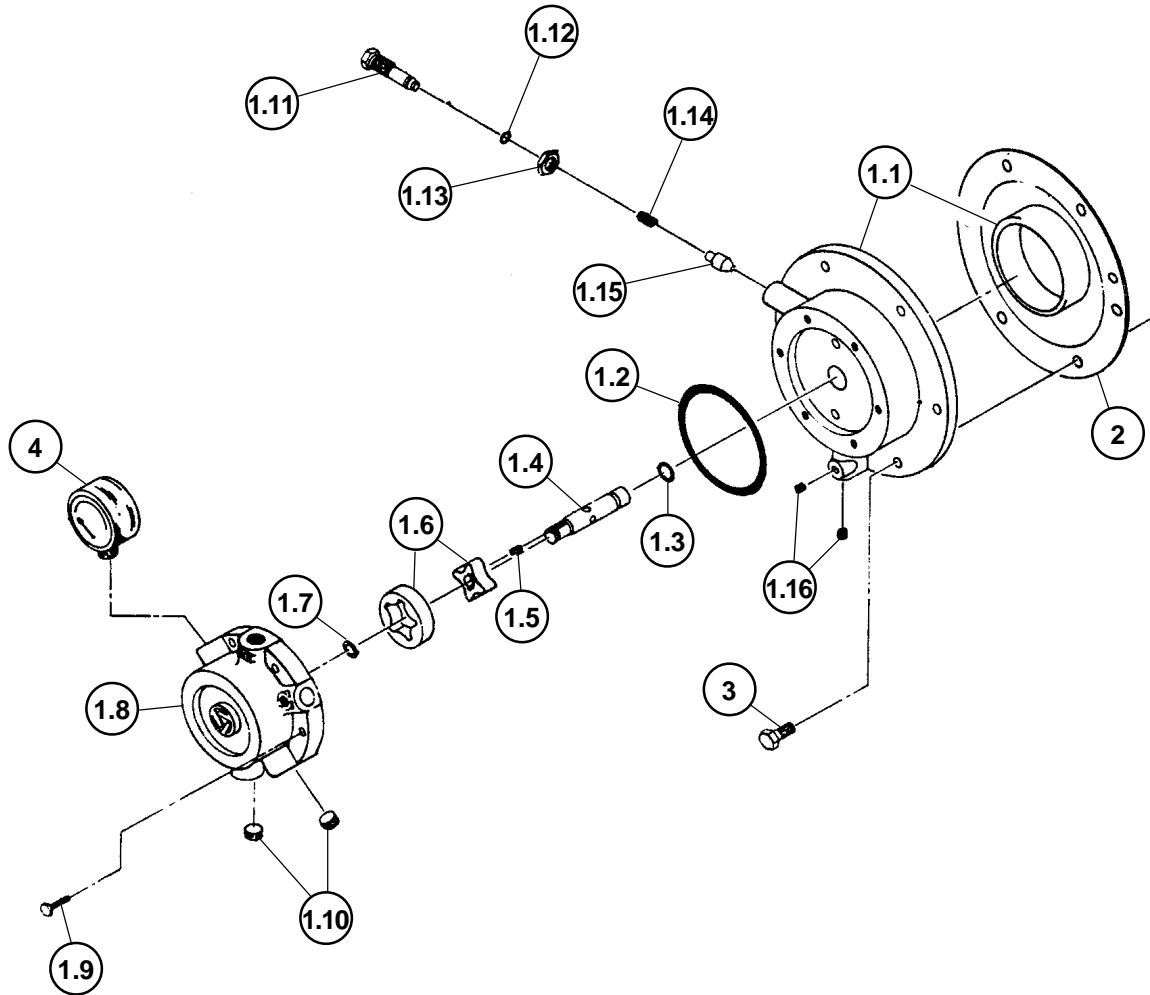
@ Indicates torque value (dry threads). Tighten multiple bolts, capscrews & hex nuts in a criss-cross or alternating pattern. Bring each fastener to the recommended torque specification in even increments.

* Can not be used with diester or phosphate ester synthetic lubricants.

§ Install with Teflon® tape.

BEARING CARRIER GROUP 110816

(less oil filter)



BEARING CARRIER GROUP 110816

(less oil filter)

Item Number	Qty.	Part Number	Description
1	1	110810-002	bearing carrier assembly (N.S.S.; order 110810X002)
1.1	1	110810	bearing carrier (N.S.S.; order 110810X003)
	1	2523	bearing cup
	2	160005	bushing
* 1.2	1	123157-152	"o"ring, 3/32 wide x 3.44 o.d.
* 1.3	1	123157-112	"o"ring, 3/32 wide x .69 o.d.
1.4	1	160002-002	driveshaft
1.5	1	160075-001	driveshaft key
1.6	1	160003	pump gerotor
1.7	1	6285	retaining ring
1.8	1	110813	housing
1.9	6	123777-J12	hex. screw, 1/4-20 unc x 1.00, grade 5 (@ 6 ft.-lbs.)
§ 1.10	2	2719	pipe plug, 1/4 npt, hex socket
1.11	1	5489	adjustment screw
* 1.12	1	123157-011	"o"ring, 1/16 wide x .44 o.d.
1.13	1	124369-P02	jamnut, 9/16-18 unf
1.14	1	1160	spring
1.15	1	112857	needle valve
1.16	2	6565	hole plug
2	1	6312	gasket, bearing carrier
3	6	123478-L12	hex. screw, 3/8-16 unc x 1.00, grade 5 (@ 30 ft.-lbs.)
§ 4	1	110822	oil pressure gauge

Maintenance Parts

160078

Oil Pump Repair Kit

includes "o"rings, driveshaft, key, & retaining ring

110810X002

Replacement Bearing Carrier Assembly

includes "o"rings, driveshaft, key, pump gerotor, & retaining ring

Parts for use with diester or phosphate ester synthetic based lubricants

1.2	1	22749-152	"o"ring, 3/32 wide x 3.44 o.d.
1.3	1	22749-112	"o"ring, 3/32 wide x .69 o.d.
1.12	1	22749-011	"o"ring, 1/16 wide x .44 o.d.
		160078-001	Oil Pump Repair Kit
			includes "o"rings, driveshaft, key, pump gerotor, & retaining ring

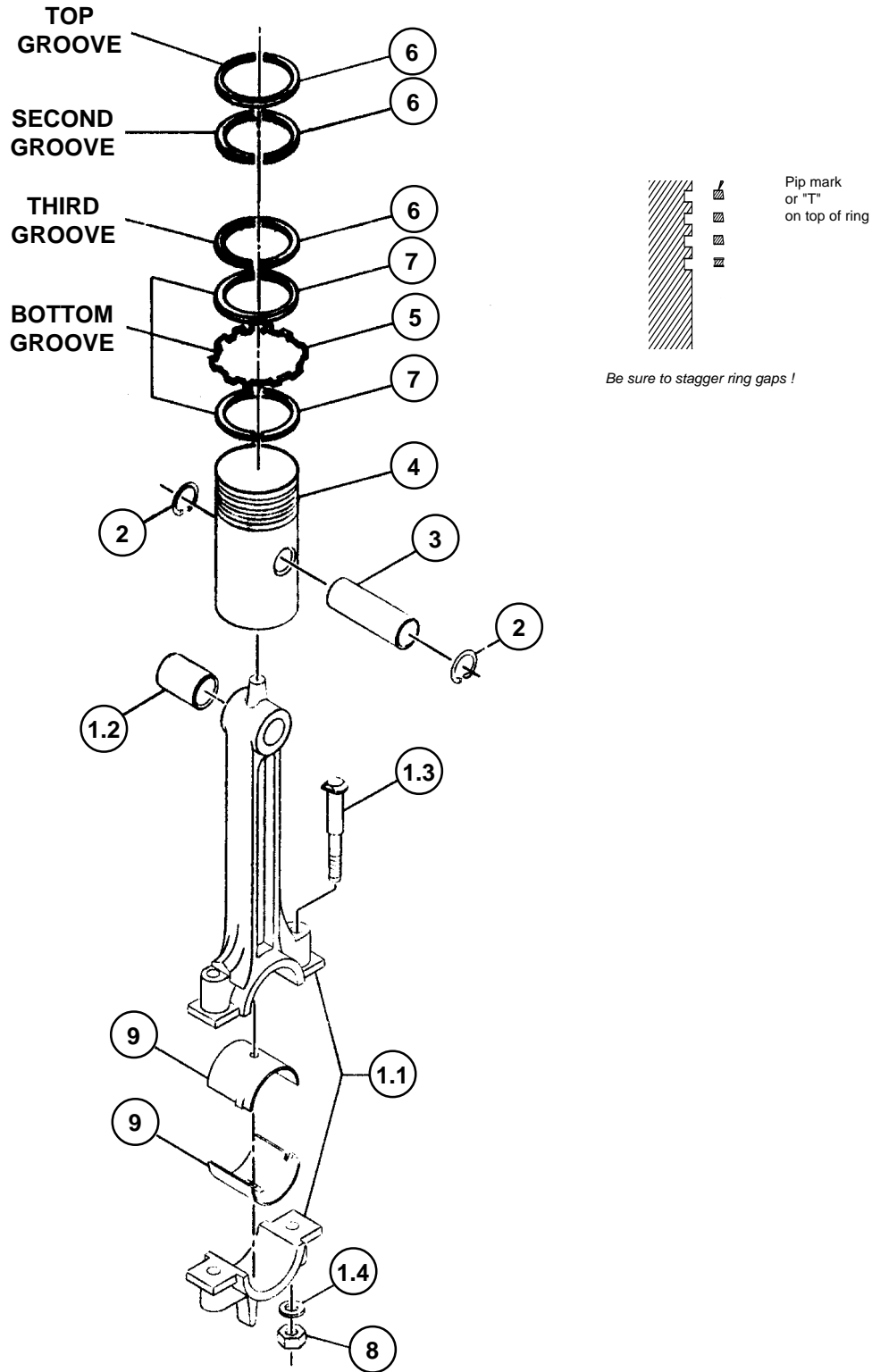
N.N.S. = Not Sold Separate

@ Indicates torque value (dry threads). Tighten multiple bolts, capscrews & hex nuts in a criss-cross or alternating pattern. Bring each fastener to the recommended torque specification in even increments.

§ Install with Teflon® tape.

CONNECTING ROD & PISTON GROUP 110248

(high pressure)



CONNECTING ROD & PISTON GROUP 110248

(high pressure)

Item Number	Qty.	Part Number	Description
1	1	40201	connecting rod assembly (N.S.S.; order 6442HPX)
1.1	1	6442C- HP	rod, connecting (N.S.S.; see maintenance parts)
1.2	1	6443	bushing, connecting rod (N.S.S.; order 6443SR)
1.3	2	3493	connecting rod bolt
1.4	2	1836	washer
2	2	8648	retaining ring
3	1	110190-021	piston pin
4	1	1530-001	piston , high pressure
5	1	111280	oil ring expander
6	3	1652	piston ring
7	2	111281	oil ring rail
8	2	124471-L08	locknut, 3/8-24 unf (@ 35 ft.-lbs.)
9	2	6444	insert, connecting rod (N.S.S.; see maintenance parts)
Maintenance Parts			
* 9	1	6444PR	inserts, connecting rod (1 pair, standard size)
* 9	1	6444-010PR	inserts, connecting rod (1 pair, .010 undersize)
1.2	1	6443SR	replacement connecting rod bushing
4	1	1530-011	piston, high pressure (.010 oversize)
4	1	1530-021	piston, high pressure (.020 oversize)
	1	8161A	Piston Ring Set (standard) includes piston rings, oil ring rails & expander
	1	4422-010	Piston Ring Set (.010 oversize, light blue color code) includes includes piston rings, oil ring rails & expander
	1	4422-020	Piston Ring Set (.020 oversize, yellow color code) includes includes piston rings, oil ring rails & expander
	1	1530X001	Piston Assembly, high pressure (standard) includes ring set, piston pin, retaining rings, & piston
		1530X011	Piston Assembly, high pressure (.010 oversize) includes ring set, piston pin, retaining rings, & piston
		1530X021	Piston Assembly, high pressure (.020 oversize) includes ring set, piston pin, retaining rings, & piston
		6442HPX	Replacement Connecting Rod Assembly includes connecting rod assembly, connecting rod inserts, & locknuts

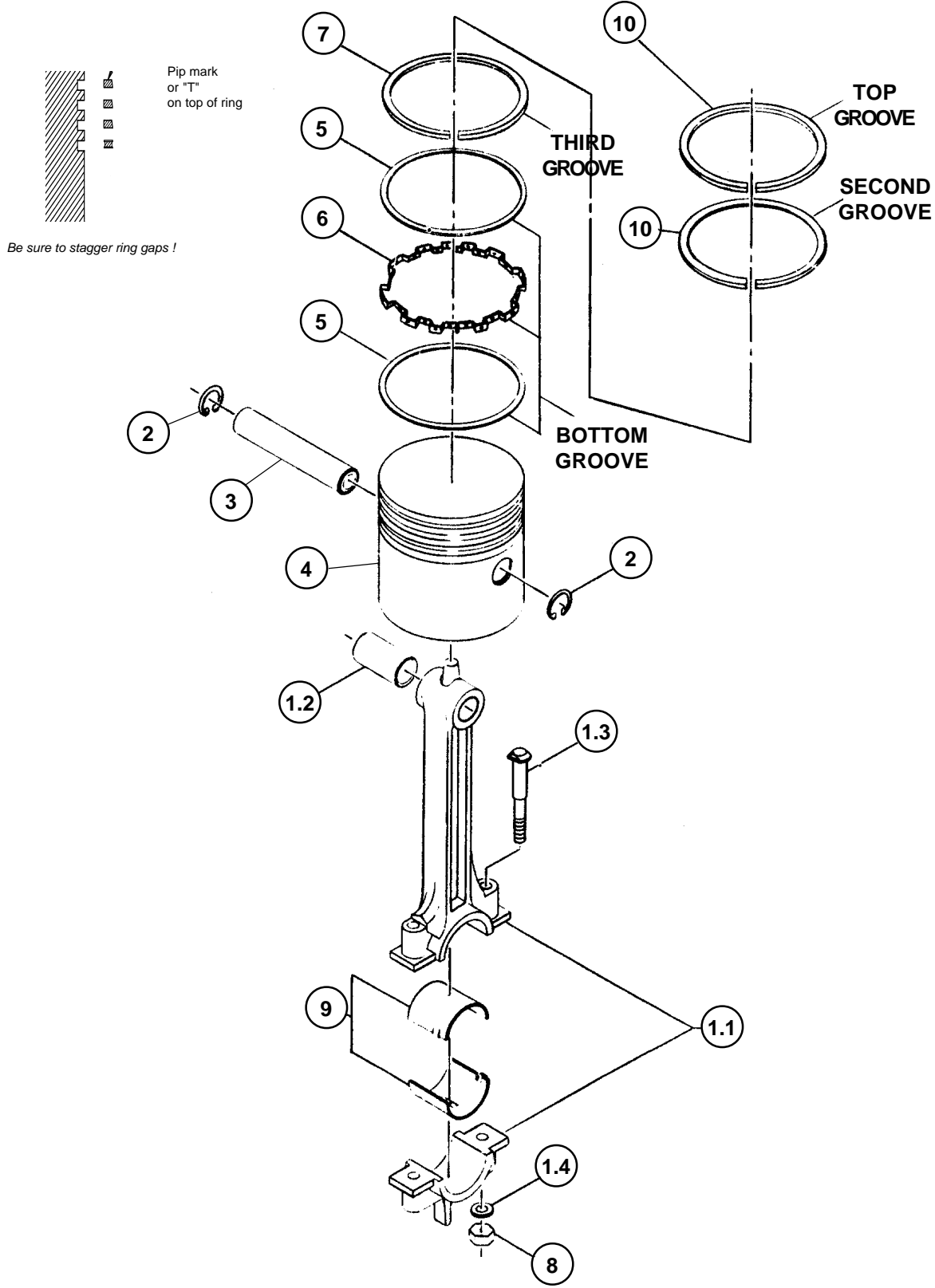
N.S.S. = Not Sold Separate

@ Indicates torque value (dry threads). Tighten multiple bolts, capscrews & hex nuts in a criss-cross or alternating pattern. Bring each fastener to the recommended torque specification in even increments.

* One pair required for each connecting rod assembly.

CONNECTING ROD & PISTON GROUP 110247

(low pressure)



CONNECTING ROD & PISTON GROUP 110247

(low pressure)

Item Number	Qty.	Part Number	Description
1	1	40139	connecting rod assembly (N.S.S.; see maintenance parts)
1.1	1	6442C	rod, connecting (N.S.S.; see maintenance parts)
1.2	1	6443	bushing, connecting rod (N.S.S.; order 6443SR)
1.3	2	3493	connecting rod bolt
1.4	2	1836	washer
2	2	8648	retaining ring
3	1	8646	piston pin
4	1	8643	piston, low pressure
5	2	112781	oil ring expander
6	1	112780	oil ring rail
7	1	7351	piston ring
8	2	124471-L08	locknut, 3/8-24 unf (@ 35 ft.-lbs.)
9	2	6444	insert, connecting rod (N.S.S.; see maintenance parts)
10	2	2584	piston ring
Maintenance Parts			
* 9	1	6444PR	inserts, connecting rod (1 pair, standard size)
* 9	1	6444-010PR	inserts, connecting rod (1 pair, .010 undersize)
1.2	1	6443SR	replacement connecting rod bushing
4	1	8643-010	piston, low pressure (.010 oversize)
4	1	8643-020	piston, low pressure (.020 oversize)
		8166A	Piston Ring Set (standard) includes piston rings, oil ring expander, & rails
		4434-010	Piston Ring Set (.010 oversize, light blue color code) includes piston rings, oil ring expander, & rails
		4434-020	Piston Ring Set (.020 oversize, yellow color code) includes piston rings, oil ring expander, & rails
		8643X	Piston Assembly, low pressure (standard size) includes piston, piston pin, retaining rings & ring set
		8643X010	Piston Assembly, low pressure (.010 oversize) includes piston, piston pin, retaining rings & ring set
		8643X020	Piston Assembly, low pressure (.020 oversize) includes piston, piston pin, retaining rings & ring set
		6442X	Replacement Connecting Rod Assembly (standard) includes connecting rod assy., connecting rod inserts, & locknuts

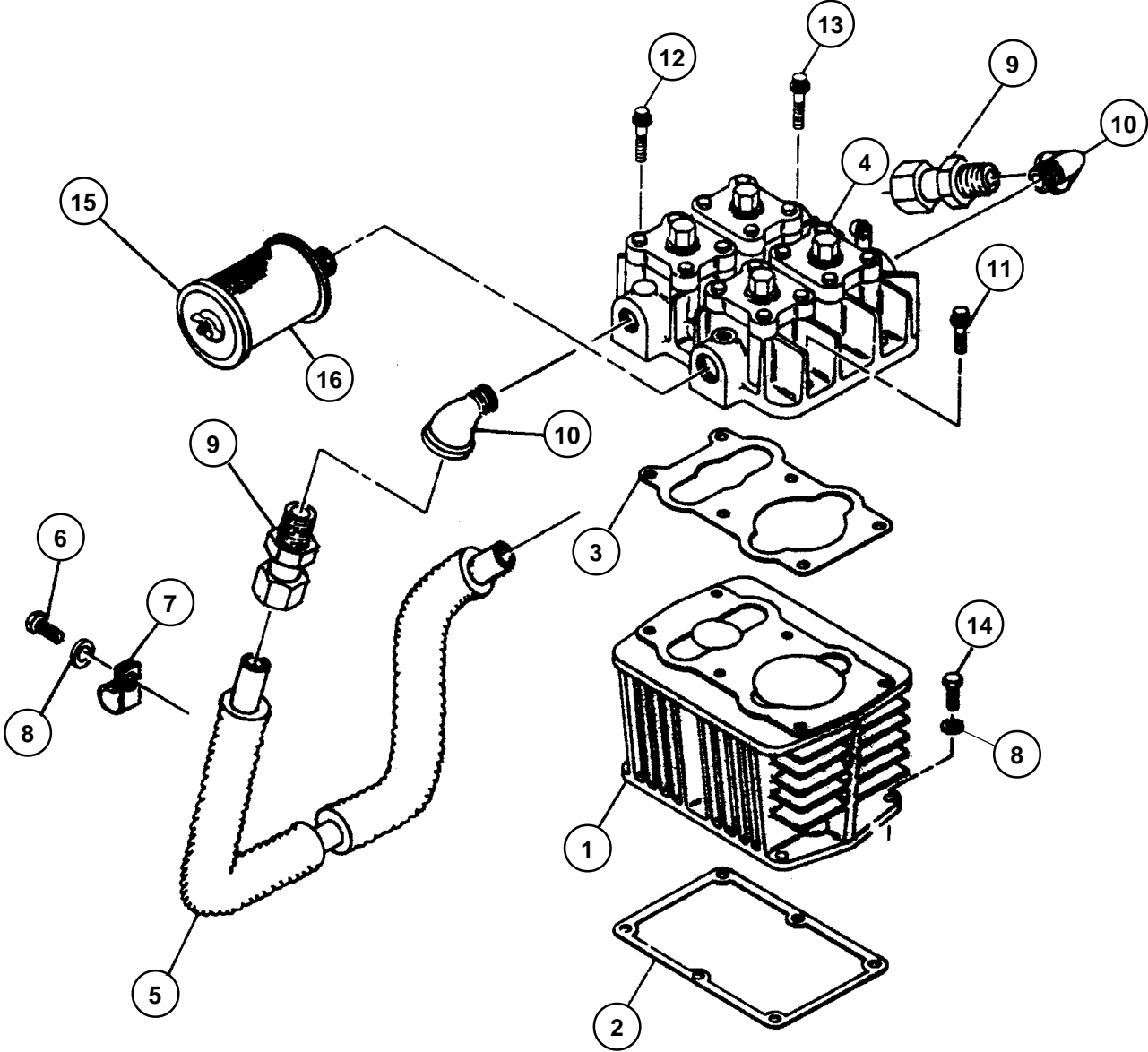
N.S.S. = Not Sold Separate

@ Indicates torque value (dry threads). Tighten multiple bolts, capscrews & hex nuts in a criss-cross or alternating pattern. Bring each fastener to the recommended torque specification in even increments.

* One pair required for each connecting rod assembly.

CYLINDER & HEAD GROUP 112070

(control version P)



CYLINDER & HEAD GROUP 112070

(control version P)

Item Number	Qty.	Part Number	Description
1	1	6610-5	cylinder
2	1	1833	gasket, cylinder to crankcase
3	1	7000	gasket
* 4	1	111496P	head assembly (see page 21 for parts breakdown)
5	1	112073	intercooler (N.S.S.; order Intercooler Replacement Kit)
6	1	123478-L10	hex. screw, 3/8-16 unc x .75, grade 5 (@ 30 ft.-lbs.)
7	1	6293-002	clamp
8	7	123115-06C	lockwasher, 3/8
9	2	124393-025	fitting
10	2	3092	pipe elbow, 3/4 npt x 3/4 npt, 90°
11	2	90386-N14	counterbore screw, 1/2-13 unc x 1.25, grade 8 (@ 50 ft.-lbs.)
12	2	90386-N17	counterbore screw, 1/2-13 unc x 2.00, grade 8 (@ 50 ft.-lbs.)
13	2	90386-N19	counterbore screw, 1/2-13 unc x 2.50, grade 8 (@ 50 ft.-lbs.)
14	6	123478-L14	hex. screw, 3/8-16 unc x 1.25, grade 5 (@ 50 ft.-lbs.)
15	1	110377F100	air filter
or			
15	1	110377H100	filter
or			
15	1	110377S100	air filter/silencer, hooded (optional)
Maintenance Parts			
16	1	110377E100	air filter element, (fits 110377F100 & 110377S100 filter)
	1	111496X11P	Replacement Head Assembly includes head assy. & head gasket
	1	111496-050	Replacement Head Assembly (for high pressure rated compressors) includes high pressure rated head assy. & head gasket
	1	112088	Intercooler Replacement Kit includes intercooler and nut / sleeve fittings

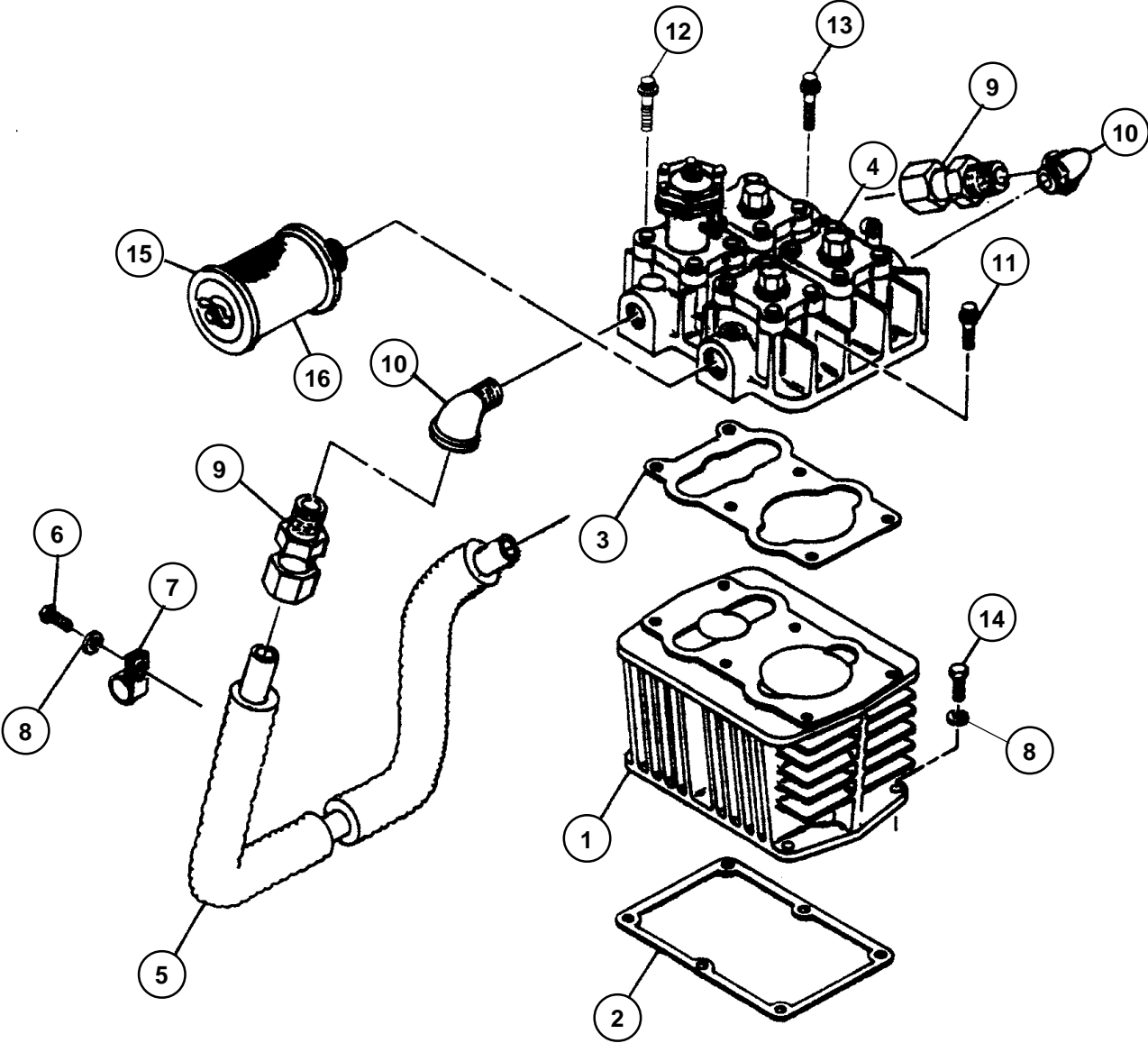
N.S.S.= Not Sold Separate

@ Indicates torque value (dry threads). Tighten multiple bolts, capscrews & hex nuts in a criss-cross or alternating pattern. Bring each fastener to the recommended torque specification in even increments.

* High pressure compressors and DNV certified applications require 111496HPS head in lieu of 111496 head and 6610-5HPS cylinder in lieu of 6610-5 cylinder

CYLINDER & HEAD GROUP 112071

(control version L)



CYLINDER & HEAD GROUP 112071

(control version L)

Item Number	Qty.	Part Number	Description
1	1	6610-5	cylinder
2	1	1833	gasket, cylinder to crankcase
3	1	7000	gasket
* 4	1	111496U	head assembly (see page 23 for parts breakdown)
5	1	112073	intercooler (N.S.S.; order Intercooler Replacement Kit)
6	1	123478-L10	hex. screw, 3/8-16 unc x .75, grade 5 (@ 30 ft.-lbs.)
7	1	6293-002	clamp
8	7	123115-06C	lockwasher, 3/8
9	2	124393-025	fitting
10	2	3092	pipe elbow, 3/4 npt x 3/4 npt, 90°
11	2	90386-N14	counterbore screw, 1/2-13 unc x 1.25, grade 8 (@ 50 ft.-lbs.)
12	2	90386-N17	counterbore screw, 1/2-13 unc x 2.00, grade 8 (@ 50 ft.-lbs.)
13	2	90386-N19	counterbore screw, 1/2-13 unc x 2.50, grade 8 (@ 50 ft.-lbs.)
14	6	123478-L14	hex. screw, 3/8-16 unc x 1.25, grade 5 (@ 50 ft.-lbs.)
15	1	110377F100	air filter
15	1	110377H100	filter
15	1	110377S100	air filter/silencer, hooded (optional)
16	1	110377E100	air filter element, (fits 110377F100 & 110377S100 filter)
			Maintenance Parts
	1	111496X11L	Replacement Head Assembly includes head assy., head gasket, copper tube & fittings
	1	111496-051	Replacement Head Assembly (for high pressure rated compressors) includes high pressure rated head assy., head gasket, copper tube & fittings
	1	112088	Intercooler Replacement Kit includes intercooler and nut / sleeve fittings

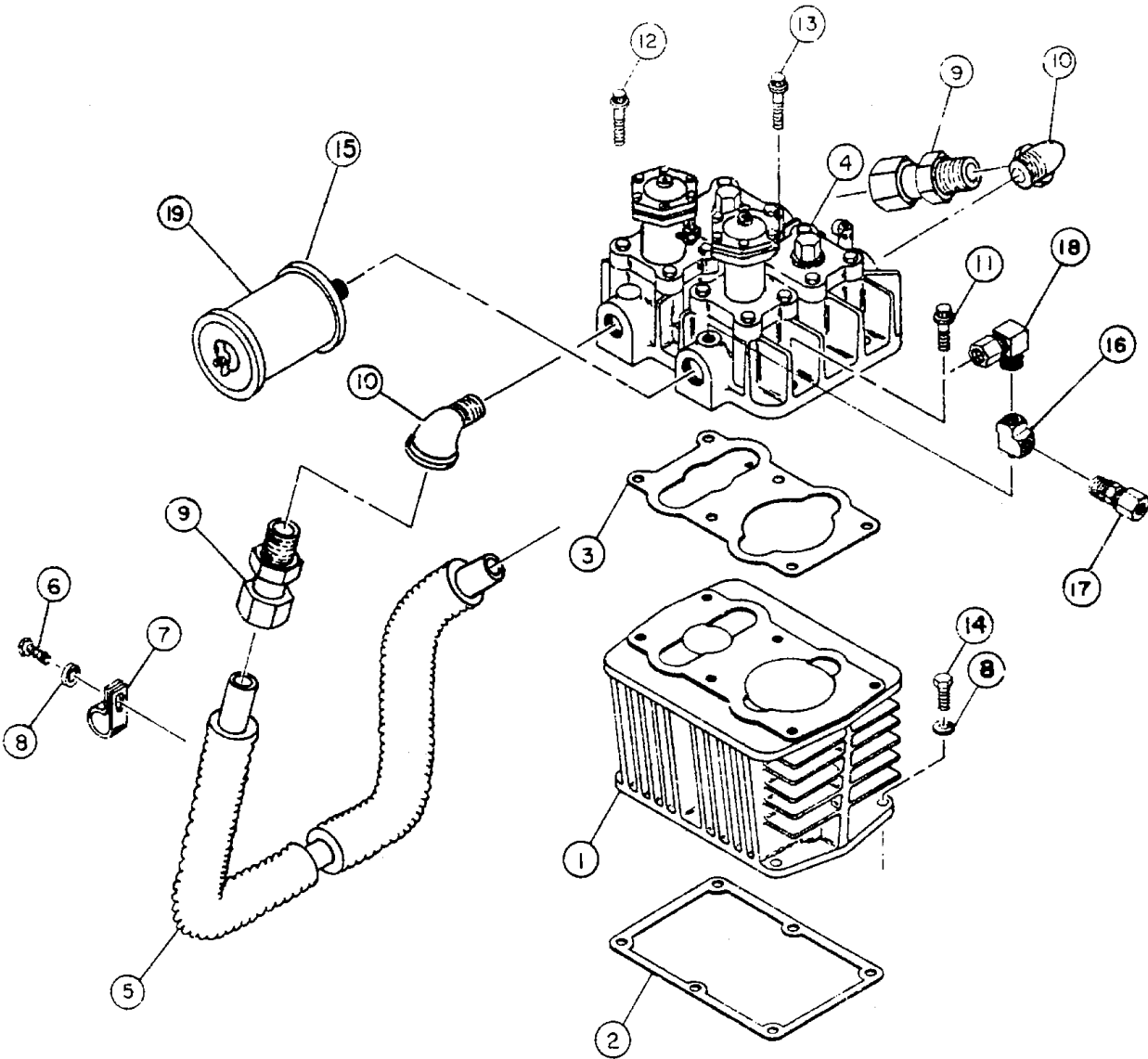
N.S.S. = Not Sold Separate

@ Indicates torque value (dry threads). Tighten multiple bolts, capscrews & hex nuts in a criss-cross or alternating pattern. Bring each fastener to the recommended torque specification in even increments.

* High pressure compressors and DNV certified applications require 111496HPS head in lieu of 111496 head and 6610-5HPS cylinder in lieu of 6610-5 cylinder

CYLINDER & HEAD GROUP 112072

(control versions S, LS, & LVD)



CYLINDER & HEAD GROUP 112072

(control versions S, LS, & LVD)

Item Number	Qty.	Part Number	Description
1	1	6610-5	cylinder
2	1	1833	gasket, cylinder to crankcase
3	1	7000	gasket
* 4	1	111496UU	head assembly (see page 25 for parts breakdown)
5	1	112073	intercooler (N.S.S.; order Intercooler Replacement Kit)
6	1	123478-L10	hex. screw, 3/8-16 unc x .75, grade 5 (@ 30 ft.-lbs.)
7	1	6293-002	clamp
8	7	123115-06C	lockwasher, 3/8
9	2	124393-025	fitting
10	2	3092	pipe elbow, 3/4 npt x 3/4 npt, 90°
11	2	90386-N14	counterbore screw, 1/2-13 unc x 1.25, grade 8 (@ 50 ft.-lbs.)
12	2	90386-N17	counterbore screw, 1/2-13 unc x 2.00, grade 8 (@ 50 ft.-lbs.)
13	2	90386-N19	counterbore screw, 1/2-13 unc x 2.50, grade 8 (@ 50 ft.-lbs.)
14	6	123478-L14	hex. screw, 3/8-16 unc x 1.25, grade 5 (@ 50 ft.-lbs.)
15	1	110377F100	air filter
or			
15	1	110377H100	filter
or			
15	1	110377S100	air filter/silencer, hooded (optional)
16	1	3003	pipe tee, 1/4 npt x 1/4 npt x 1/4 npt
17	1	2706	connector
18	1	2708	tube fitting, 90° male elbow, 1/4 tube x 1/4 npt
			Maintenance Parts
19	1	110377E100	air filter element, (fits 110377F100 & 110377S100 filter)
	1	111496X11S	Replacement Head Assembly includes head assy., head gasket, copper tube & fittings
	1	111496-052	Replacement Head Assembly (for high pressure rated compressors) includes high pressure rated head assy., head gasket, copper tube & fittings
	1	112088	Intercooler Replacement Kit includes intercooler and nut / sleeve fittings

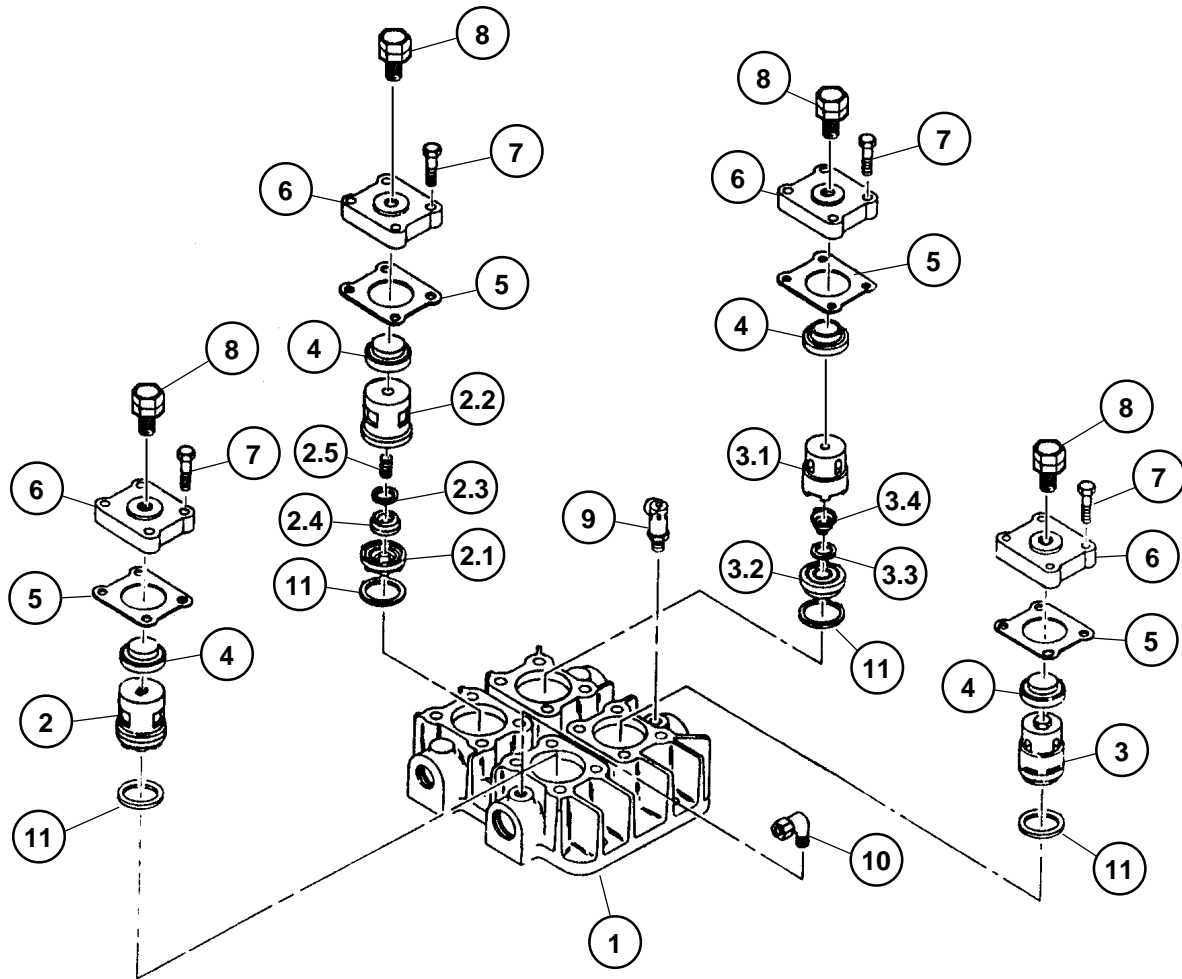
N.S.S. = Not Sold Separate

@ Indicates torque value (dry threads). Tighten multiple bolts, capscrews & hex nuts in a criss-cross or alternating pattern. Bring each fastener to the recommended torque specification in even increments.

* High pressure compressors and DNV certified applications require 111496HPS head in lieu of 111496 head and 6610-5HPS cylinder in lieu of 6610-5 cylinder

HEAD ASSEMBLY 111496P

(control version P)



HEAD ASSEMBLY 111496P

(control version P)

Item Number	Qty.	Part Number	Description
* 1	1	111496	head
2	2	7277X1	suction valve assembly
2.1	2	7277	valve bumper
2.2	1	1815	valve seat
2.3	1	1846	valve disc
2.4	1	7270	valve spring
2.5	1	1849	stud
3	2	7271X002	discharge valve assembly
3.1	1	7271-002	discharge valve bumper
3.2	1	1819-002	discharge valve seat
3.3	1	1846	valve disc
3.4	1	7270	valve spring
4	4	110639	spacer
5	4	1852	gasket
6	4	5906	valve cover plate
7	16	7480	hex. screw, 7/16-14 unc x 1.38, grade 5 (@ 50 ft.-lbs.)
8	4	114545-R15	screw & nut assembly (screw @ 60 ft.-lbs. - nut @ 50 ft.-lbs.)
9	1	2961-100	pressure relief valve
10	1	2710	fitting
11	4	1848	gasket

Maintenance Parts

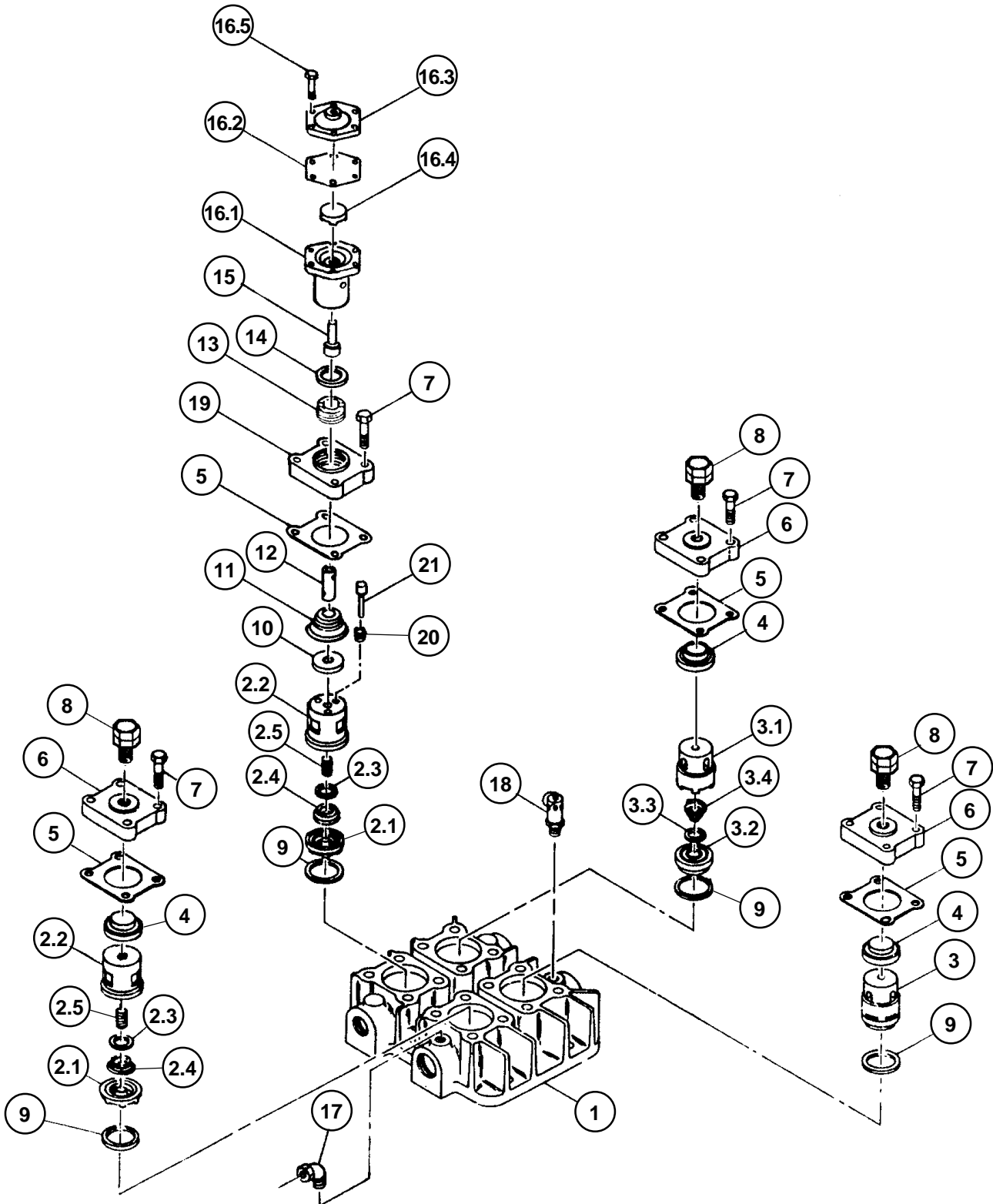
1	111496HPS	Replacement Head (for high pressure rated compressors)
2	7277X	Replacement Suction Valve Assembly includes suction valve assy. & valve gasket
2	7271X02	Replacement Discharge Valve Assembly includes discharge valve assy, & valve gasket

@ Indicates torque value (dry threads). Tighten multiple bolts, capscrews & hex nuts in a criss-cross or alternating pattern. Bring each fastener to the recommended torque specification in even increments.

* High pressure compressors and DNV certified applications require 111496HPS head in lieu of 111496 head.

HEAD ASSEMBLY 111496U

(control version L)



HEAD ASSEMBLY 111496U

(control version L)

Item Number	Qty.	Part Number	Description
* 1	1	111496	head
2	2	7277X1	valve assembly
2.1	1	7277	valve bumper
2.2	1	1815	seat
2.3	1	1846	valve disc
2.4	1	7270	valve spring
2.5	1	1849	stud
3	2	7271X002	discharge valve assembly
3.1	1	7271-002	discharge valve bumper
3.2	1	1819-002	discharge valve seat
3.3	1	1846	valve disc
3.4	1	7270	valve spring
4	3	110639	spacer
5	4	1852	gasket
6	3	5906	valve cover plate
7	16	7480	hex. screw, 7/16-14 unc x 1.38, grade 5(@ 50 ft.-lbs.)
8	3	114545-R15	screw & nut assembly (screw @ 60 ft.-lbs. - nut @ 50 ft.-lbs.)
9	4	1848	gasket
10	1	6925	platform
11	1	6964	spacer
12	1	6965-001	pin
13	1	3008	holddown screw (@ 70 ft.-lbs.)
14	1	1556	gasket
15	1	7532X	unloader piston assembly
16	1	40055	unloader assembly (@ 75 ft.-lbs.) (N.S.S.; order 7483X)
16.1	1	7483	unloader body
16.2	1	1855	diaphragm
16.3	1	1818B	diaphragm cover plate
16.4	1	5910	diaphragm disc
16.5	6	7499	hex. screw, 1/4-20 unc x .75, grade 2 (@ 72 in.-lbs.)
17	1	2710	fitting
18	1	2961-100	pressure relief valve
19	1	6928	plate
20	3	6910	valve spring
21	3	1857	valve pin

Maintenance Parts

1	111496HPS	Replacement Head (for high pressure rated compressors)
1	7277X	Replacement Suction Valve Assembly includes suction valve assy. & valve gasket
1	7277XU	Replacement Suction Valve Assembly includes suction valve assy., valve gasket, valve pins, & valve springs
2	7271X02	Replacement Discharge Valve Assembly includes discharge valve assy. & valve gasket
1	7483X	Replacement Unloader Assembly includes unloader assembly, unloader piston assembly, valve gasket & pipe plug

Parts for use with diester or phosphate ester synthetic based lubricants

16.2	1	1855S	diaphragm
------	---	-------	-----------

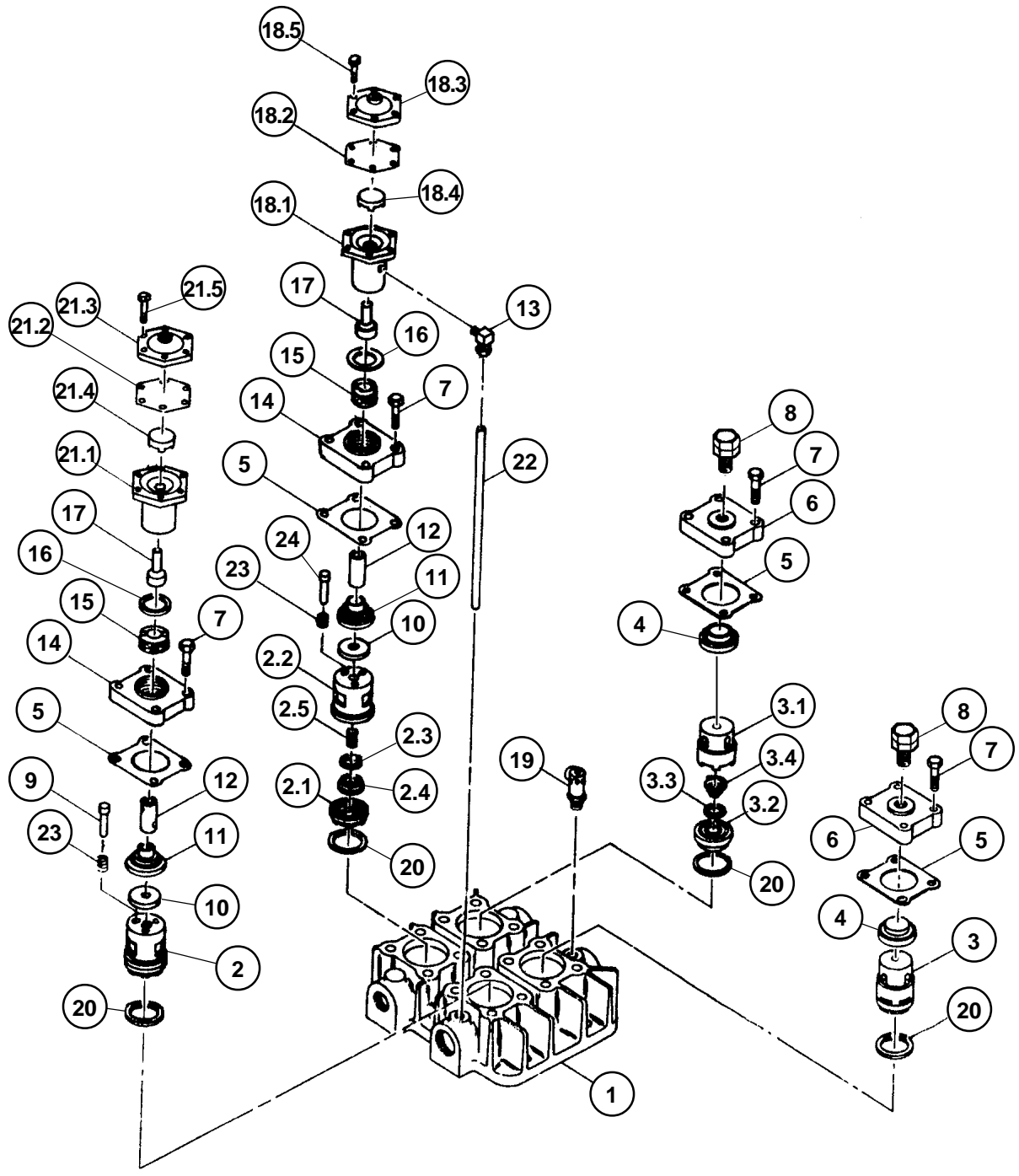
N.S.S. = Not Sold Separate

@ Indicates torque value (dry threads). Tighten multiple bolts, capscrews & hex nuts in a criss-cross or alternating pattern. Bring each fastener to the recommended torque specification in even increments.

* High pressure compressors and DNV certified applications require 111496HPS head in lieu of 111496 head.

HEAD ASSEMBLY 111496UU

(control versions S, LS, LVD)



HEAD ASSEMBLY 111496UU

(control versions S, LS, LVD)

Item Number	Qty.	Part Number	Description
* 1	1	111496	head
2	2	7277X1	valve assembly
2.1	1	7277	valve bumper
2.2	1	1815	seat
2.3	1	1846	valve disc
2.4	1	7270	valve spring
2.5	1	1849	stud
3	2	7271X002	discharge valve assembly
3.1	1	7271-002	discharge valve bumper
3.2	1	1819-002	discharge valve seat
3.3	1	1846	valve disc
3.4	1	7270	valve spring
4	2	110639	spacer
5	4	1852	gasket
6	2	5906	valve cover plate
7	16	7480	hex. screw, 7/16-14 unc x 1.38, grade 5 (@ 50 ft.-lbs.)
8	2	114545-R15	screw & nut assembly (screw @ 60 ft.-lbs. - nut @ 50 ft.-lbs.)
9	6	1857	valve pin
10	2	6925	platform
11	2	6964	spacer
12	2	6965-001	pin
13	1	1642	tube fitting, 90° male elbow, 1/4 tube x 1/8 npt
14	2	6928	plate
15	2	3008	holddown screw (@ 70 ft.-lbs.)
16	2	1556	gasket
17	2	7532X	unloader piston assembly
18	1	40055	unloader assembly (@ 75 ft.-lbs.) (N.S.S.; order 7483X)
18.1	1	7483	unloader body
18.2	1	1855	diaphragm
18.3	1	1818B	diaphragm cover plate
18.4	1	5910	diaphragm disc
18.5	6	7499	hex. screw, 1/4-20 unc x .75, grade 2 (@ 72 in.-lbs.)
19	1	2961-100	pressure relief valve
20	4	1848	gasket
21	1	40192	unloader assembly (@ 75 ft.-lbs.), (N.S.S.; order 8272X)
21.1	1	8272	unloader body
21.2	1	1855	diaphragm
21.3	1	1818B	diaphragm cover plate
21.4	1	5910	diaphragm disc
21.5	6	7499	hex. screw, 1/4-20 unc x .75, grade 2 (@ 72 in.-lbs.)
22	1 ft.	110515-025	copper tube, 1/4 o.d.
23	6	6910	valve spring

Maintenance Parts

1	111496HPS	Replacement Head (for high pressure rated compressors)
1	7277X	Replacement Suction Valve Assembly
		includes suction valve assy. & valve gasket
2	7277XU	Replacement Suction Valve Assembly
		includes suction valve assy., valve gasket, valve pins & valve springs
2	7271X02	Replacement Discharge Valve Assembly
		includes discharge valve assy. & valve gasket
1	7483X	Replacement Unloader Assembly
		includes unloader assy. (40055), unloader piston assy., valve gasket & pipe plug
1	8272X	Replacement Unloader Assembly
		includes unloader piston assembly, unloader assembly (40192), & valve gasket
		Parts for use with diester or phosphate ester synthetic based lubricants
18.2	1	1855S
21.2	1	1855S

N.S.S. = Not Sold Separate

@ Indicates torque value (dry threads). Tighten multiple bolts, capscrews & hex nuts in a criss-cross or alternating pattern. Bring each fastener to the recommended torque specification in even increments.

* High pressure compressors and DNV certified applications require 111496HPS head in lieu of 111496 head.

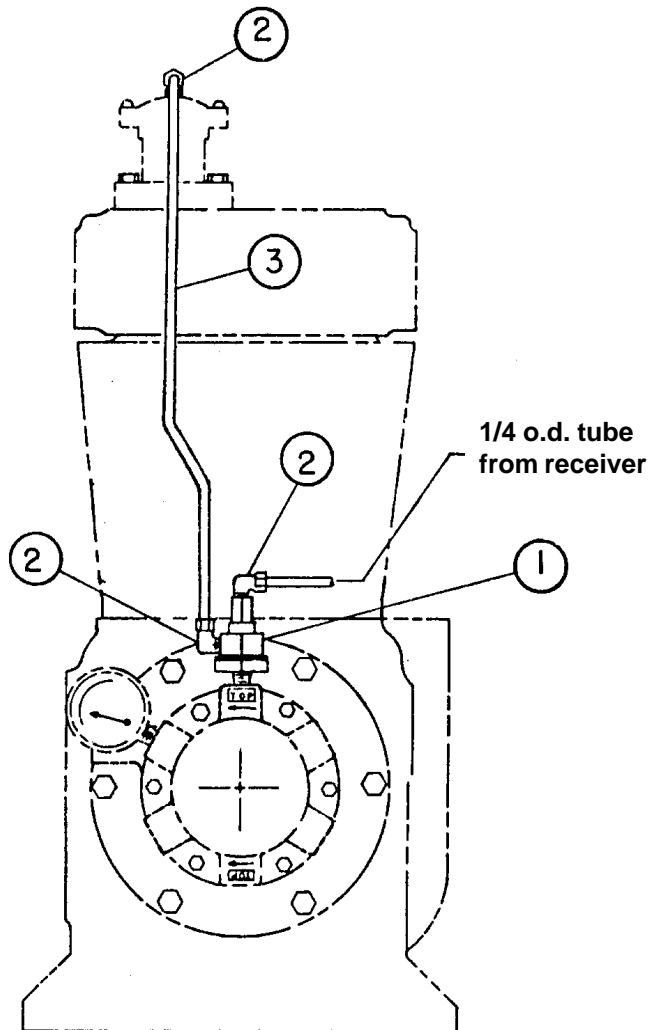
QR 325

Quincy Compressor

CONTROL GROUP 110855

(control versions L)

Item Number	Qty.	Part Number	Part Number	Description
		0-200 p.s.i.	201-500 p.s.i.	
1	1	110827-001	110827-002	hydraulic unloader assembly
2	3	1642	1642	tube fitting, 90° male elbow, 1/4 tube x 1/8 npt
3	3 ft.	110515-025	110515-025	copper tube, 1/4 o.d.
		113225	113225	Maintenance Parts Hydraulic Unloader Repair Kit includes diaphragm, stem assembly, inlet filter & fitting assembly, spring (0-200 p.s.i.) and spring (201-500 p.s.i., red color code)
		Parts for use with diester or phosphate ester synthetic based lubricants		
1	1	110827-003		hydraulic unloader assembly (standard, 0-200 p.s.i.)
1	1		110827-004	hydraulic unloader assembly (high pressure, 201-500 p.s.i.)

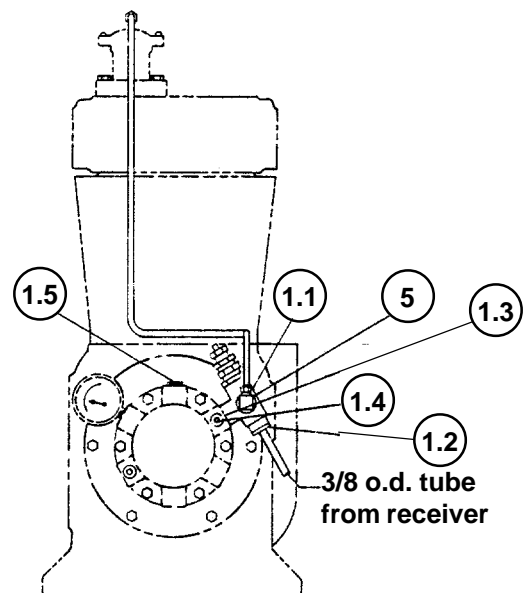
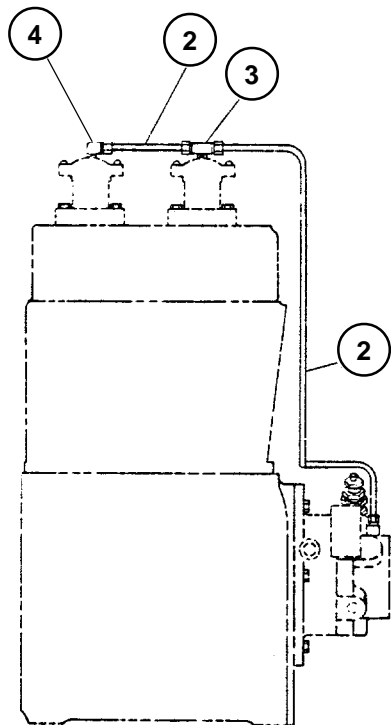


CONTROL GROUP 110857

(control version S)

Item Number	Qty.	Part Number	Part Number	Description
		0-200 p.s.i.	201-500 p.s.i.	
1	1	110844	110844-999	pilot valve assembly
* 1.1	1	110832-140	110832-999	pilot valve
1.2	1	2616	2616	tube fitting, straight male connector, 3/8 tube x 1/4 npt
1.3	1	6317	6317	mounting stud
1.4	4	160047-J05	160047-J05	set screw, 1/4-28 unf x .38, grade 5
1.5	1	2719	2719	pipe plug, 1/4 npt, hex socket
2	4 ft.	110515-025	110515-025	copper tube, 1/4 o.d.
3	1	1665	1665	tube fitting, male branch tee, 1/4 tube x 1/4 tube x 1/8 npt
4	1	1642	1642	tube fitting, 90° male elbow, 1/4 tube x 1/8 npt
5	1	2708	2708	tube fitting, 90° male elbow, 1/4 tube x 1/4 npt

* See page 31 for optional pilot valves that must be used with respective pressure ranges.



CONTROL GROUP 110858

(control version LS)

Item Number	Qty.	Part Number	Part Number	Description
		0-200 p.s.i.	201-500 p.s.i.	
1	1	110845	110845-001	pilot valve assembly
1.1	1	111422-175	111422-999	pilot valve
1.2	1	110827-001	110827-002	hydraulic unloader assembly
1.3	1	6317	6317	mounting stud
1.4	1	160047-J05	160047-J05	set screw, 1/4-28 unf x .38, grade 5
1.5	1	7361	7361	brass pipe tee, 1/4 npt x 1/4 npt x 1/4 npt
1.6	2	1642	1642	tube fitting, 90° male elbow, 1/4 tube x 1/8 npt
1.7	1 ft.	110515-025	110515-025	copper tube, 1/4 o.d.
1.8	1	124393-004	124393-004	tube fitting, straight male connector, 1/4 tube x 1/8 npt
1.9	1	2708	2708	tube fitting, 90° male elbow, 1/4 tube x 1/4 npt
1.10	1	2616	2616	tube fitting, straight male connector, 3/8 tube x 1/4 npt
2	4 ft.	110515-025	110515-025	copper tube, 1/4 o.d.
3	1	1665	1665	tube fitting, male branch tee, 1/4 tube x 1/4 tube x 1/8 npt
4	1	1642	1642	tube fitting, 90° male elbow, 1/4 tube x 1/8 npt
5	1	2708	2708	tube fitting, 90° male elbow, 1/4 tube x 1/4 npt

Maintenance Parts

113225 113225

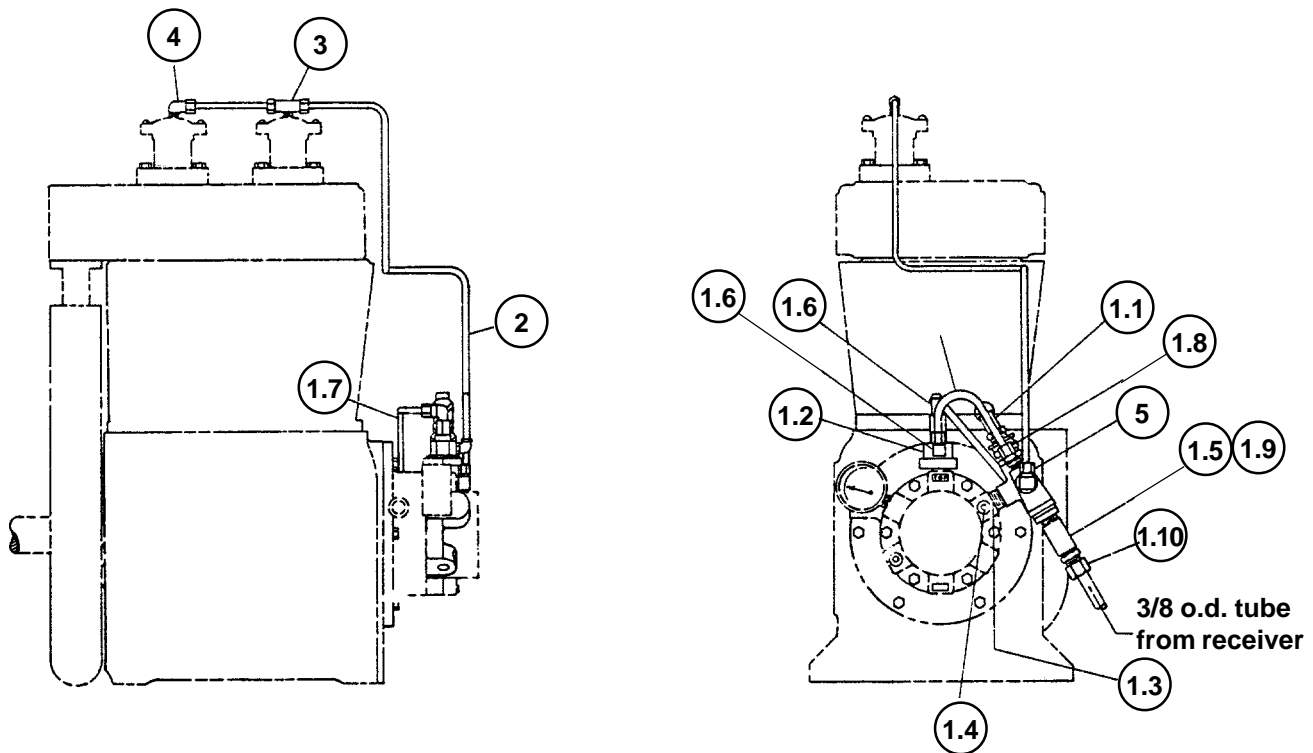
Hydraulic Unloader Repair Kit

includes diaphragm, stem assembly, inlet filter & fitting assembly, spring (0-200 p.s.i.) and spring (201-500 p.s.i. red color code)

Parts for use with diester or phosphate ester synthetic based lubricants

1	1	110827-003		hydraulic unloader assembly (standard, 0-200 p.s.i.)
1	1		110827-004	hydraulic unloader assembly (high pressure, 201-500 p.s.i.)

* See page 31 for optional pilot valves that must be used with respective pressure ranges.



CONTROL GROUP 110859

(control version LVD)

Item Number	Qty.	Part Number	Part Number	Description
		0-200 p.s.i.	201-500 p.s.i.	
1	1	110846	110846-001	pilot valve assembly
1.1	1	111423-140	111423-999	pilot valve
1.2	1	110827-001	110827-002	hydraulic unloader assembly
1.3	1	6317	6317	mounting stud
1.4	1	160047-J05	160047-J05	set screw, 1/4-28 unf x .38, grade 5
1.5	1	7361	7361	brass pipe tee, 1/4 npt x 1/4 npt x 1/4 npt
1.6	2	1642	1642	tube fitting, 90° male elbow, 1/4 tube x 1/8 npt
1.7	1 ft.	110515-025	110515-025	copper tube, 1/4 o.d.
1.8	1	124393-004	124393-004	tube fitting, straight male connector, 1/4 tube x 1/8 npt
1.9	1	2708	2708	tube fitting, 90° male elbow, 1/4 tube x 1/4 npt
1.10	1	2616	2616	tube fitting, straight male connector, 3/8 tube x 1/4 npt
2	4 ft.	110515-025	110515-025	copper tube, 1/4 o.d.
3	1	1665	1665	tube fitting, male branch tee, 1/4 tube x 1/4 tube x 1/8 npt
4	1	1642	1642	tube fitting, 90° male elbow, 1/4 tube x 1/8 npt
5	1	2708	2708	tube fitting, 90° male elbow, 1/4 tube x 1/4 npt

Maintenance Parts

113225 113225

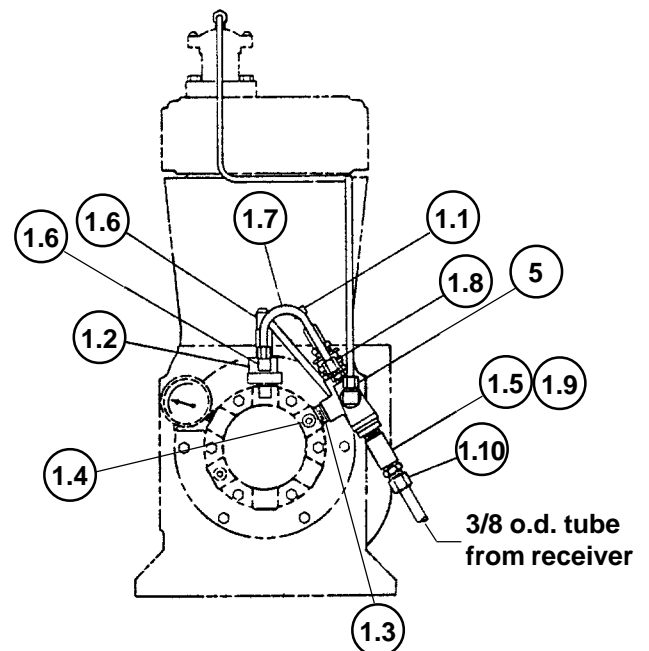
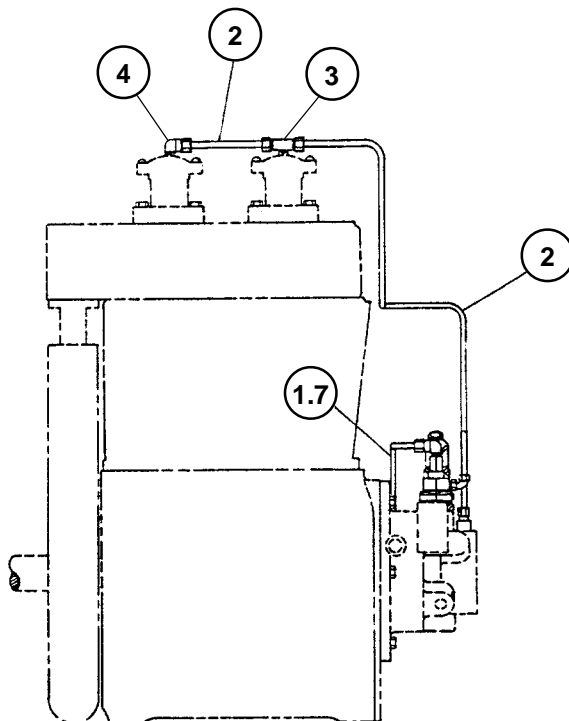
Hydraulic Unloader Repair Kit

includes diaphragm, stem assembly, inlet filter & fitting assembly, spring (0-200 p.s.i.) and spring (201-500 p.s.i. red color code)

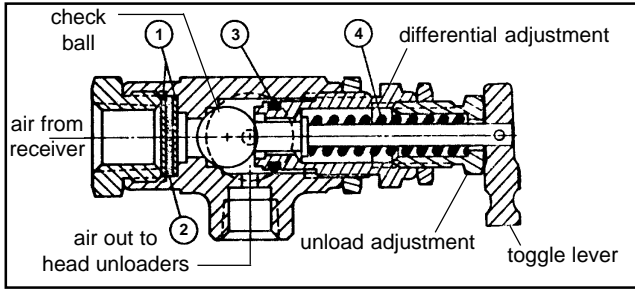
Parts for use with diester or phosphate ester synthetic based lubricants

1	1	110827-003		hydraulic unloader assembly (standard, 0-200 p.s.i.)
1	1		110827-004	hydraulic unloader assembly (high pressure, 201-500 p.s.i.)

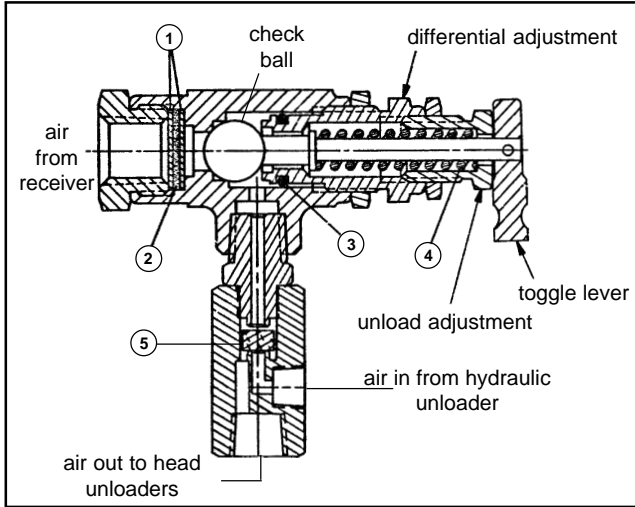
* See page 31 for optional pilot valves that must be used with respective pressure ranges.



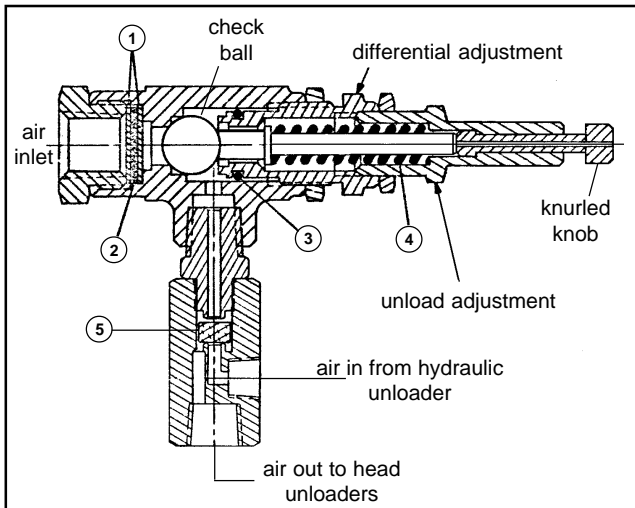
PILOT VALVES



110832 series pilot valve (control version S)



111422 series pilot valve (control version LS)



111423 series pilot valve (control version LVD)

WARNING !

Not all pilots are for use with all compressor systems. Make sure that the pilot you order is set within the safe operating limits of your compressor. Failure to heed this warning could result in an explosion.

Available Pilot Valves

Refer to illustrations at left to determine pilot valve series; add dash # listed below per pressure setting.

Dash #	Pressure Setting (p.s.i.)	Notes
-997	30-70	adjustable unload pressure / customer to set, see differential setting chart
-998	71-150	adjustable unload pressure / customer to set, see differential setting chart
-999	151-400	adjustable unload pressure / customer to set, see differential setting chart
-000	401-500	adjustable unload pressure / customer to set, see differential setting chart

Additional factory preset valves are available upon request.

Pilot Valve Repair Kit 110832-051

Can be used to repair 110832, 111422 & 111423 series pilot valves. Customer must specify which spring when ordering pilot valve repair kit.

Item #	Qty.	Part Number	Description
1	2		screen
2	1		filter
3	1		"o"ring
4	1	110832-052	replacement spring, pilot valve, 30-70 p.s.i. (red)
	1	110832-053	replacement spring, pilot valve, 71-150 p.s.i. (yellow)
	1	110832-054	replacement spring, pilot valve, 151-400 p.s.i. (green)
	1	110832-055	replacement spring, pilot valve, 401-500 p.s.i. (black)
5	1	6196-003	disc

Differential Setting Chart

Spring Part # (Item 4)	Unload (p.s.i.)	Min. Dif. (p.s.i.)	Max. Dif. (p.s.i.)
110832-052	30	2	4
"	40	5	8
"	50	5	8
"	60	5	8
"	70	5	10
110832-053	80	5	10
"	90	5	12
"	100	5	13
"	110	5	15
"	120	5	15
"	130	5	18
"	140	5	18
"	150	5	20
110832-054	160	5	15
"	170	5	20
"	175	5	23
"	200	5	25
"	250	10	30
"	300	10	40
"	400	30	50
110832-055	500	40	75

SUCTION VALVE UNLOADER ASSEMBLIES

Description

The Quincy suction valve unloader assembly consists of unloading arrangements on the suction valves, having a plunger to contact the suction valve disc and an unloader pilot valve (part no.s 110832-***, and 111422-*** & 111423-***) to automatically regulate the passing of receiver pressure to the unloading arrangement.

Application

Suction valve unloader assemblies are recommended for use on Quincy compressors where the compressor is to run continuously and a constant pressure is to be maintained. The purpose is to automatically unseat the suction valve of the compressor when the air supply is greater than the demand.

Operation

Unloading occurs when receiver pressure is sufficient to overcome pilot valve spring pressure. The check ball is then unseated, allowing receiver pressure to pass to the unloading arrangements. The compressor will run unloaded until the receiver pressure drops to a predetermined level. At this time, the action of the ball is reversed, shutting off receiver pressure to the unloader arrangement and venting the unloader to atmosphere. This allows the compressor to load. The drive, either electric motor or combustion engine, runs continuously and must be started and stopped manually.

Pilot valve 111423-*** can be locked out, for models equipped with dual control, to provide automatic start/stop operation. The knurled knob at the top of the pilot can be turned clockwise, until it stops, to lock it out. A pressure switch is required to stop the motor. Failure to use a pressure switch, with the pilot valve locked out, could result in unsafe conditions.

WARNING !

A pressure switch must be incorporated whenever pilot valve 111423-*** is employed as part of the control system.

The compressor will operate in the continuous run mode if the knurled knob is turned counterclockwise until it stops.

Installation

The pilot valve is to be connected to the air receiver using a minimum of 3/8" o.d. copper tube. Compressors in the field, not equipped with a suction valve

unloader assembly, can be converted to constant speed. Consult your local Quincy Compressor Distributor for assistance with conversion procedures.

Service

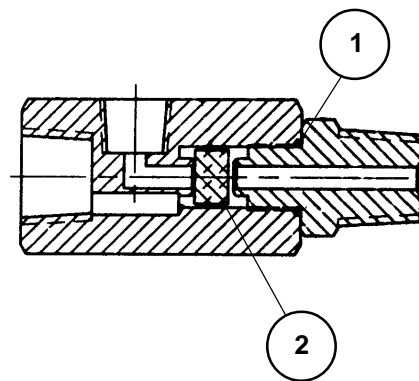
Periodically check the filter & screens in the inlet of the pilot valve to make sure they are free of obstructions. If they become clogged, remove and clean or replace. Inspect the "o"ring located in the opposite end of the pilot valve body for wear or damage; replace if necessary.

Adjustment

The unloading pressure is adjustable and is regulated by turning the hex nut (marked "unload adj." in cross sectional illustrations of pilot valves). Turn the hex nut clockwise to increase and counterclockwise to decrease the unloading pressure.

The differential (difference between unloading and loading pressure) is set by turning the hex nut (marked "differential adj." in the cross sectional illustrations of the pilot valves). Increase the differential pressure by turning the hex nut clockwise - decrease by turning counterclockwise. Tighten the locknuts after adjustment.

CHECK VALVE ASSEMBLIES



Check Valve Assembly Replacement Parts

Item #	Qty.	Part Number	Description
		6194X2	Check Valve Assembly
1	1	123157-010	"o"ring
2	1	6196-002	disc
		6194X3	Check Valve Assembly
		<i>(for use with diester or phosphate ester synthetic lubricants)</i>	
1	1	22749-010	"o"ring
2	1	6196-003	disc

Head Kit K325A			
Item #	Qty.	Part Number	Description
1		110377E100	air filter element
2		1556	gasket
2		1855	diaphragm
4		1848	gasket, valve
4		1852	gasket, valve cover
2		1556	gasket, valve cover
4		1846	valve disc
1		7000	gasket, cylinder to head
4		7270	valve spring
1		5700	gasket, intercooler

Basic Compressor Repair Kit 110823-325			
Item #	Qty.	Part Number	Description
1		110190-021	piston pin
1		110377E100	air filter element
1		110610-002	"o"ring kit
1		110814	oil filter
1		2720	bearing cup
1		2585	bearing cone
1		2523	bearing cup
1		2788	bearing cone
2		6443SR	connecting rod bushing
2		6444PR	connecting rod inserts (1 pair)
4		7270	valve spring
1		8161	ring set
4		1846	valve disc
1		7126	gasket set
1		8646	piston pin
1		8166	ring set

V.I.P. Kit 110516-325			
Item #	Qty.	Part Number	Description
1		110822	oil pressure gauge
2		1855	diaphragm
6		1857	valve pin
4		1846	valve disc
2		6283	hydraulic unloader filter
6		6910	valve spring
4		7270	valve spring
1		7126	gasket set

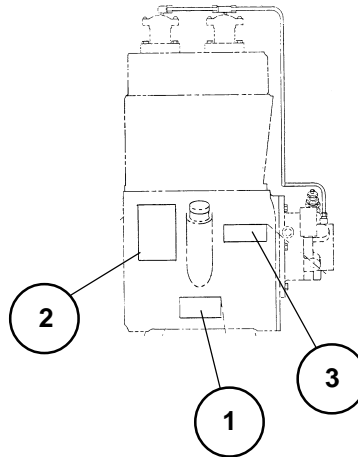
Overhaul Kit K325C			
Item #	Qty.	Part Number	Description
2		6444PR	con-rod bearing
1		110377E100	air filter element
1		110610-001	"o"ring kit
1		8161	ring set
1		8166	ring set
1		7126	gasket set
4		1846	valve disc
4		7270	spring

Overhaul Kit K325B			
Item #	Qty.	Part Number	Description
1		110377E100	air filter element
2		1855	diaphragm
4		1846	valve disc
2		6444PR	connecting rod inserts (1 pair)
4		7270	valve spring
1		7126	gasket set
1		8161A	ring set
1		8166A	ring set
1		6316	oil seal

Gasket Set 7126			
Item #	Qty.	Part Number	Description
2		1556	gasket
1		1833	gasket, cylinder to crankcase
1		1840	gasket, inspection plate
4		1848	gasket
4		1852	gasket
2		5700	gasket
2		6294	bearing adj. shim, .005 steel
2		6294A	bearing adj. shim, .007 steel
1		6294B	bearing adj. shim, .020 steel
6		6294C	bearing adj. shim, .005 paper
2		6294D	bearing adj. shim, .002 steel
1		6312	gasket, bearing carrier
1		7000	gasket

Recommended Spare Parts			
Item #	Qty.	Part Number	Description
	2	7277X	replacement suction valve assy.
	2	7271X002	replacement discharge valve assy.
	1	110822	pressure gauge
	1	160078	oil pump repair kit
	1	7126	gasket set
	1	113225	hydraulic unloader repair kit
	2	6444PR	connecting rod inserts (1 pair)
	2	1855	unloader diaphragm
	1	110832-051	pilot repair kit
	1	110377E100	air filter element

DECALS



Decals for QR 325 Basic Compressor			
Item #	Qty.	Part Number	Description
1	1	110831	serial number & nameplate
2	1	127889-A	decal, CAUTION!/manual/ "Failure to follow..."
3	1	127889-B	decal, DANGER! / "Air used for breathing..."

* Not sold separate; order 127889.

TYPICAL UNIT REPAIR PARTS LIST

The parts listed here are for standard QR 325 (up to 175 p.s.i.) units and may or may not be applicable to custom built units. Check with your local authorized Quincy Compressor Distributor for parts that can be used for custom built units. Make sure the components you order are rated within the safe operating limits of your system. If you are doubtful about which components to order, contact your local Quincy distributor.

(QR 325 simplex - horizontal tank - electric motor)

Qty	Part Number	Part Number	Part Number	Description
	60 gal.	80 gal.	120 gal.	
1	113891-200	113268-200	113271-200	tank (200 p.s.i. max. working pressure)
1	n/a	n/a	* 113281	top plate
1	2713	2713	111136-050	tank drain valve
1	111136-075	111136-075	111136-100	ball valve
1	110514-300	110514-300	110514-300	pressure gauge
1	110512-003	110512-003	§110512-003	pressure switch (135-175 p.s.i.)
1	110513-200	110513-200	110513-200	pressure relief valve (200 p.s.i.)
3 ft.	110515-075	110515-075	110515-075	! discharge tube (3/4" copper tube to be formed by customer)
2	23271	23271	23271	compression fittings
	3 H.P.	5 H.P.		
1	110357B065	110357B068		drive belt
1	110580-118	115240		motor pulley
1	n/a	8928		motor pulley bushing
1	113242K001	113242K001		belt guard assembly
	115/230v, 1Ø	200v, 3Ø	230/460v, 3Ø	
1	4003	8098	124517-006	3 h.p. motor (O.D.P.)
1	**127466I005	8099	124517-005	5 h.p. motor (O.D.P.)

* 113281 top plate is also used for all QR 325 base mounted electric motor driven units.

! Pre-formed discharge tubes are available. Contact factory with model & tank size information.

** 230 volt only.

§ 2298-175 pressure switch on base mounted unit.

(QR 325 duplex - horizontal tank - electric motor)

Qty	Part Number	Part Number	Part Number	Description
	80 gal.	120 gal.	200 gal.	
1	113471-200	113467-200	113469-200	tank (200 p.s.i. max. working pressure)
2	N/A	113281	113281	top plate
1	2713	111136-050	111136-050	tank drain valve
1	111136-075	111136-100	111136-100	ball valve
1	110514-300	110514-300	110514-300	pressure gauge
2	110512-003	110512-003	110512-003	pressure switch (135-175 p.s.i.)
1	110513-200	110513-200	110513-200	pressure relief valve (200 p.s.i.)
6 ft.	110515-075	110515-075	110515-075	discharge tube (3/4" copper tube to be formed by customer)
4	23271	23271	23271	compression fittings
	3 H.P.	5 H.P.		
2	110357B065	110357B068		drive belt
2	110580-118	115240		motor pulley
2	n/a	8928		motor pulley bushing
2	113242K001	113242K001		belt guard assembly
	115/230v, 1Ø	200v, 3Ø	230/460v, 3Ø	
2	4003	8098	124517-006	3 h.p. motor (O.D.P.)
2	* 127466I005	8099	124517-005	5 h.p. motor (O.D.P.)

! Pre-formed discharge tubes are available. Contact factory with model & tank size information.

* 230 volt only.

TYPICAL UNIT REPAIR PARTS LIST

The parts listed here are for standard QR 325 (up to 175 p.s.i.) units and may or may not be applicable to custom built units. Check with your local authorized Quincy Compressor Distributor for parts that can be used for custom built units. Make sure the components you order are rated within the safe operating limits of your system. If you are doubtful about which components to order, contact your local Quincy distributor.

(QR 325 vertical tank - electric motor)

Qty	Part Number	Part Number	Part Number	Description
	60 gal.	80 gal.		
1	113267-200	113270-200		tank (200 p.s.i. max. working pressure)
1	110425-025	110425-050		tank drain valve
1	111136-075	111136-075		ball valve
1	110514-300	110514-300		pressure gauge
1	110512-003	110512-003		pressure switch (135-175 p.s.i.)
1	110513-200	110513-200		pressure relief valve (200 p.s.i.)
3 ft.	110515-075	110515-075		! discharge tube (3/4" copper tube to be formed by customer)
2	23271	23271		compression fittings
	3 H.P.	5 H.P.		
1	110357B065	110357B068		drive belt
1	110580-118	115240		motor pulley
1	n/a	8928		motor pulley bushing
1	113242K001	113242K001		belt guard assembly
	115/230v, 1Ø	200v, 3Ø	230/460v, 3Ø	
1	4003	8098	124517-006	3 h.p. motor (O.D.P.)
1	*127466I005	8099	124517-005	5 h.p. motor (O.D.P.)

! Pre-formed discharge tubes are available. Contact factory with model & tank size information.

* 230 volt only.

(QR 325 gasoline engine driven - Kohler)

Qty	Part Number	Part Number	Part Number	Description
	base unit	tank unit		
1		113727-200		tank (200 p.s.i.)
1	113764			top plate
1		111136-025		tank drain valve
1		111136-050		ball valve
1		110514-300		pressure gauge
1		110513-200		pressure relief valve (200 p.s.i.)
2	110258B074	110258B074		drive belt
1	5629	5629		engine pulley
1	8927	8927		engine pulley bushing
1	113702K005	113702K005		belt guard assembly
1	113143-002	113143-002		throttle control, bullwhip cable
1	113698	113698		Kohler engine group, 11 h.p. (includes exhaust system & throttle control)
3 ft.		110515-075		! discharge tube (3/4" copper tube to be formed by customer)
2		23271		compression fittings

! Pre-formed discharge tubes are available. Contact factory with model & tank size information.

TYPICAL UNIT REPAIR PARTS LIST

The parts listed here are for standard QR 325 (up to 175 p.s.i.) units and may or may not be applicable to custom built units. Check with your local authorized Quincy Compressor Distributor for parts that can be used for custom built units. Make sure the components you order are rated within the safe operating limits of your system. If you are doubtful about which components to order, contact your local Quincy distributor.

(QR 325 gasoline engine driven - Honda)

Qty	Part Number	Part Number	Part Number	Description
	base unit	tank unit		
1		113727-200		tank (200 p.s.i.)
1	113764			top plate
1		111136-025		tank drain valve
1		111136-050		ball valve
1		110514-300		pressure gauge
1		110513-200		pressure relief valve (200 p.s.i.)
2	110258B074	110258B074		drive belt
1	5629	5629		engine pulley
1	8927	8927		engine pulley bushing
1	113702-012	113702-012		belt guard assembly
1	113143-002	113143-002		throttle control, bullwhip cable
1	113700-1	113700-1		Honda engine group, 11 h.p. (includes engine & throttle control)
1		112266-323		! discharge piping group (includes discharge piping and fittings- 3/4" copper tube to be formed by customer)

! Pre-formed discharge tubes are available. Contact factory with model & tank size information.

(QR 325 diesel engine driven - Yanmar)

Qty	Part Number	Part Number	Part Number	Description
	base unit	tank unit		
1		113727-200		tank (200 p.s.i.)
1	113764			base
1		111136-025		tank drain valve
1		111136-050		ball valve
1		110514-300		pressure gauge
1		110513-200		pressure relief valve (200 p.s.i., in tank)
2	110258B074	110258B074		drive belt
1	5629	5629		engine pulley
1	8927	8927		engine pulley bushing
1	113702K008	113702K008		belt guard assembly
1	113143-001	113143-001		throttle control
1	114080-002	114080		Yanmar diesel engine group, 10 h.p. (includes throttle control)
2.5 ft.		110515-075		! discharge tube (3/4" copper tube to be formed by customer)
2		23271		compression fittings

! Pre-formed discharge tubes are available. Contact factory with model & tank size information.

Quincy Service is always near. There are authorized Quincy Distributors located throughout the United States & Canada that stock genuine Quincy parts & accessories for a wide range of Quincy products.

Quincy Service specialists are factory trained and will help keep you in business. Call for Authorized Quincy Service.



Quincy Compressor[®]

True Blue Reliability[™]



Reciprocating / Systems: 217.222.7700
Rotary / Vacuum / Systems: 334.937.5900
Nearest Distributor: 888.424.7729
E-mail: trueblue@quincycompressor.com
Discover: www.quincycompressor.com

BFGoodrich

© 2000 Quincy Compressor a BFGoodrich Company Business
All Rights Reserved. Litho in U.S.A.