

Bill of Materials

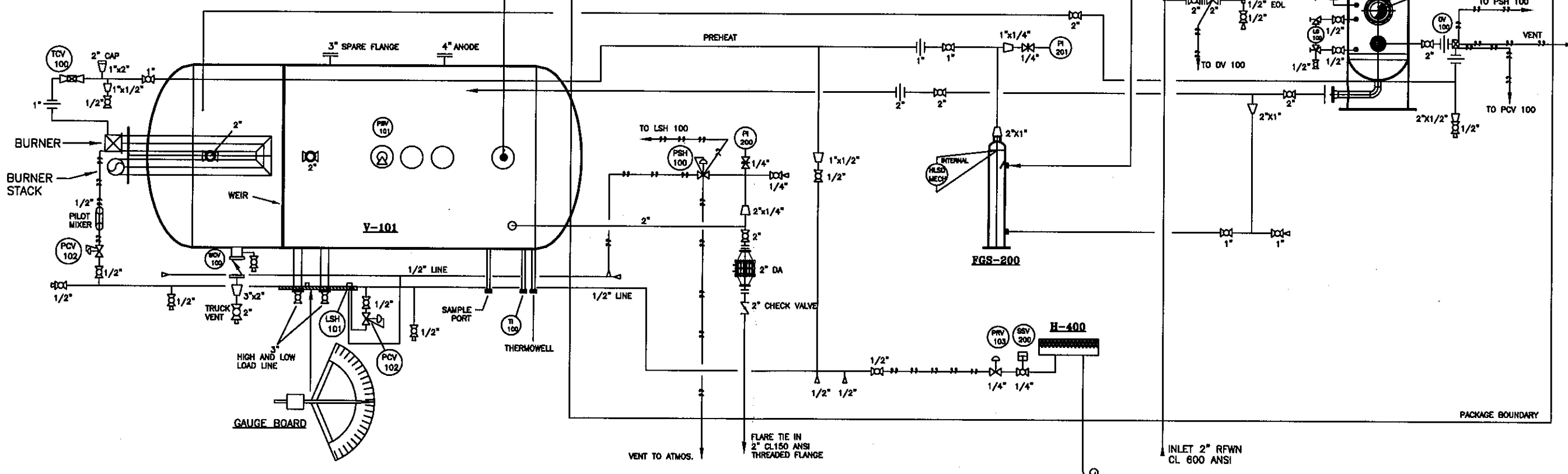
No	Qty	DESCRIPTION	No	Qty	DESCRIPTION
1	1	2" CLASS 600 2220 HORIZSEAL VALVE (ESD)	1	1	LEVEL INDICATOR (GAUGE BOARD)
1	1	2" KIMRAY BACK PRESSURE VALVE	1	1	1/2" TANK TEMP CONTROL VALVE
1	1	FISHER (TYPE 827) REGULATOR 15-40 PSIG	1	1	3" STREAM-FLO DRWIN WAFER CHECK VALVE
1	1	2" INLINE BALON CHECK VALVE	1	1	INVALCO 2501B1 HIGH LEVEL SHUT DOWN
1	1	INVALCO 2501B1 PRESS. SWITCH (HIGH LEVEL S.D.)	1	1	30' X 10' STORAGE TANK
1	1	CPW 0-80 PSI GAUGE	1	1	285 PSIG 24" OD X 6'-0" S-S PRESS. VESS.
1	1	2" TAYLOR SAFETY VALVE (SET @250#)	1	1	12" X 24" 12V SCOTTIAN HEATER
1	1	2" KIMRAY 225 SOA-D MECH. DUMP VALVE	1	1	BARTON 202A RECORDER (2 PEN)
1	1	9" X 1/2" NPT THERMOMETER	1	1	1/2" NPT FISHER (TYPE 912) REGULATOR 13 IN W.C.
1	1	6" KIMRAY 812 TO-D TRUNKION ASSY.	1	1	2 1/2" X 1/2" NPT THERMOMETER
1	1	3" PROTECTOSEAL PRESS. VAC. VENT	1	1	1" TAYLOR SAFETY VALVE (SET @250#)
1	1	1/2" X 1/2" PENBERTHY 1TMS SIGHT GLASS w/ valve	2	2	0-300PSI 1/2" BM CPW GAUGE
1	1	INVALCO 2501B1 HIGH LEVEL SHUT DOWN			
1	1	1/2" NPT FISHER (TYPE 827) REGULATOR 15-40 PSIG			
1	1	1/2" NPT FISHER (TYPE 827) REGULATOR 15-40 PSIG			

**V-101**  
STORAGE TANK  
SIZE = 10' X 30' S/S  
SIZE = (3048MM X 9144MM)  
TESTED TO 10 PSIG

**H-400**  
CATALYTIC HEATER  
DETAILS: CATALYNE 12,000 BTU/HR.  
MODEL: BX 12" X 24"  
C/W 12 VDC STARTING ELEMENT WITH 30'  
CABLES, REGULATOR, SAFETY SHUTOFF & ORNL

**FGS-200**  
FUEL GAS SCRUBBER  
SIZE: 6"(152mm) O.D X 36"(914mm) S/S  
DETAILS: 285 PSIG C/W INTERNAL  
HIGH LEVEL SHUTOFF  
ALBERTA REGISTERED

**V-102**  
WELLSITE SEPARATOR  
SIZE: 24"(609mm) X 5' (1524mm) S/S  
DPI: 285 PSIG @ -20/100° F  
CORROSION ALLOWANCE: 1/16"  
ALBERTA REG.



REV.		DESCRIPTION	BY	Y	M	D	APP	Y	M	D
0		ISSUED FOR APPROVAL	JQ	06	10	31				

FABRICATION	
DES. & FAB. TO:	ASME SECTION VIII DIV.1 & B31.3 2001 ED. 2003 ADD.
CRN No.	-
DESIGN PRESS.	285 PSIG
MDMT.	-20°F @ 285 PSIG
DESIGN TEMP.	100°F @ 285 PSIG
CORROSION ALLOWANCE:	.0625"
STRESS RELIEF:	PWHT (ON VESSEL & WELDED SPOOLING)
PRESSURE TEST:	HYDRO - 1.5 x DESIGN PRESSURE
IMPACT TESTS:	-
RADIOGRAPHY:	100% (ON V-102 & WELDED SPOOLING)
MAG PARTICLE:	YES
Q.C. PROGRAM#	AQP-1286
TTI WPS:	#1323.2

GENERAL NOTES:	
MAXIMUM ALLOWABLE WORKING PRESSURE IS 100 KPAQ	
c/w 2 - 3" FLOOR DRAINS AND CAPS	

SPECIAL SPEC.	
PAINT:	SANDBLAST SSPC-SP6 WHITE ENAMEL

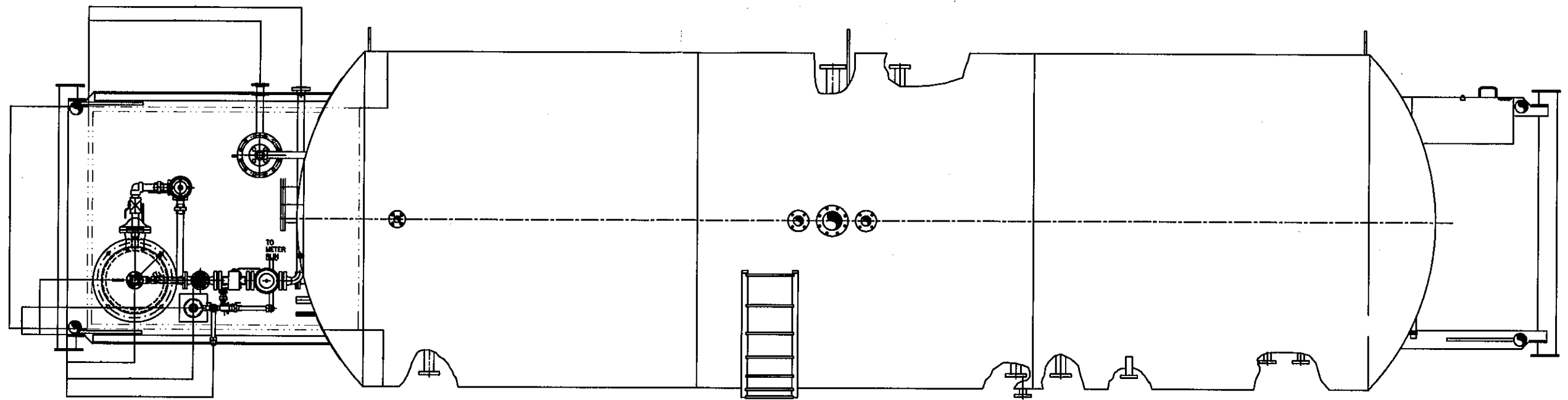
TORNADO TECHNOLOGIES CANADA INC.	
Any Technical Data and the Designs Disclosed Herein are the Exclusive Property of Tornado Technologies Canada Inc. and/or Contain the Proprietary Rights of Others and are not to be used or Disclosed to Others without the Written Consent of Tornado Technologies Canada Inc.	

WT. EST.:	
23000 POUNDS	
SALESPERSON:	
TTCI	

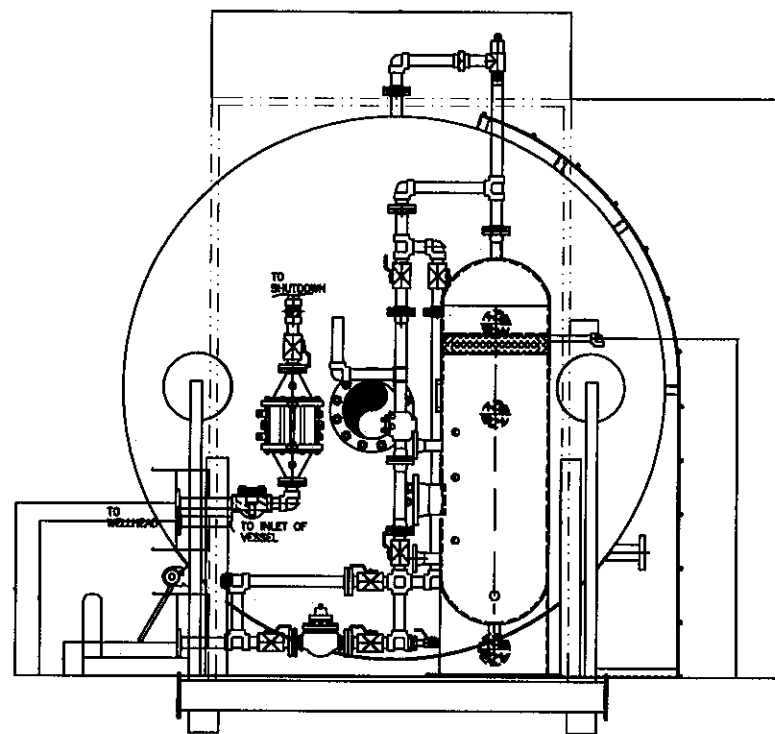
DWG. #:		
PPPP_pld		
SCALE:		
NTS		
DWG. BY:		
JQ		
DES. BY:		
TTCI		
DATE:		
Y	M	D
06	10	31
JOB#		
PPPP		
24" SOUR SEPARATOR		
QUOTE#		

TITLE:	
POSITIVE PRESS. PRODUCTION PACKAGE PIPING AND INSTRUMENTATION DIAGRAM	
CUSTOMER:	
CANADA WIDE	
P.O.#	
LSD	
REV.	
STETTLER	ALBERTA

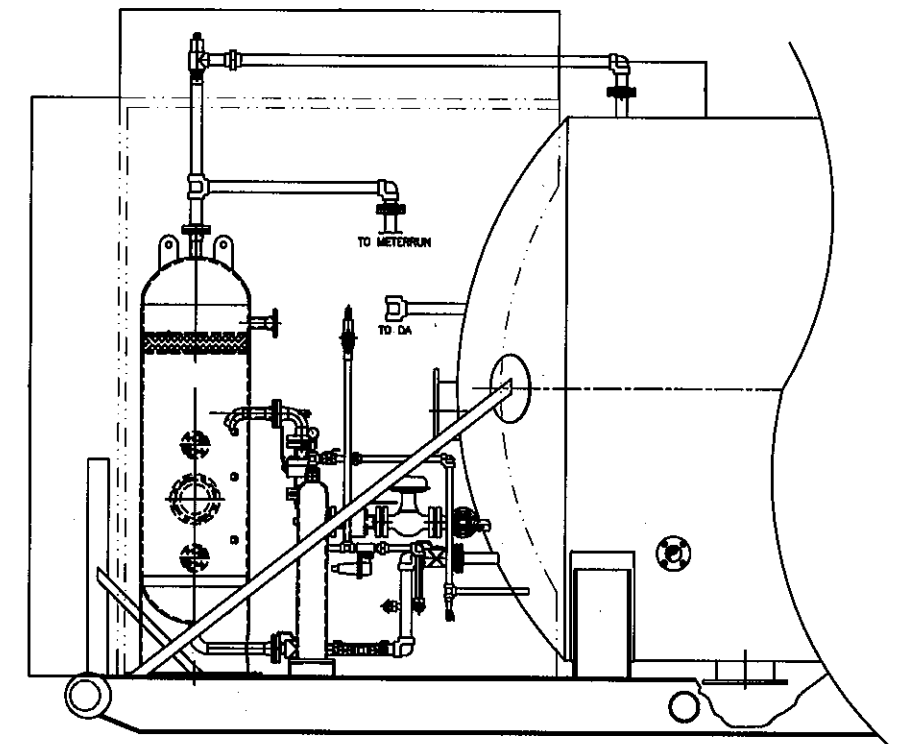
Tornado Technologies Canada Inc.	
PH (403)742-6121	
FAX (403)742-1905	
TOLL FREE	
1-877-340-8141	



TOP VIEW



END VIEW



SIDE VIEW

REV.	DESCRIPTION	BY	Y	M	D	APP	Y	M	D
0	ISSUED FOR APPROVAL	JQ	06	06	17				

FABRICATION		GENERAL NOTES:		WT. EST.:	DWG. #:	TITLE:	
DES. & FAB. TO:	ASME SECTION VIII DIV.1 & B31.3 2001 ED. 2003 ADD.				PPPP_ga	24" SOUR VESSEL / PPP PACKAGE	
CRN No.	-					GENERAL ARRANGEMENT	
DESIGN PRESS.	VESSEL: 285 PSig					DIAGRAM	
MDMT:	VESSEL: -20°F @ 285 PSig					CUSTOMER:	
DESIGN TEMP.:	VESSEL: 100°F @ 285 PSig					CANADA WIDE	
CORROSION ALLOWANCE:	.125"					P.O.#	
STRESS RELIEVE:	PWHT (ON VESSEL & WELDED SPOOLING)					LSD	
PRESSURE TEST:	HYDRO - 1.5 x DESIGN PRESSURE					REV.	
IMPACT TESTS:	-					STETTLER	
RADIOGRAPHY:	100% (ON VESSEL & WELDED SPOOLING)					ALBERTA	
MAG PARTICLES:	-					▲	
Q.C. PROGRAM#	AQP-1266					PH (403)742-6121	
TTI WFS:	#1323.2					FAX (403)742-1905	
		SPECIAL SPEC.		PAINT:		TOLL FREE	
				SANDBLAST SSPC-SP6		1-877-340-8141	
				WHITE ENAMEL			
				TORNADO TECHNOLOGIES CANADA INC.			
				Any Technical Data and the Designs Disclosed			
				Herein are the Exclusive Property of Tornado			
				Technologies Canada Inc. and/or Contain			
				the Proprietary Rights of Others and are not to			
				be used or Disclosed to Others without the Written			
				Consent of Tornado Technologies Canada Inc.			
				SALESPERSON:		DATE:	
				TTCI		Y M D	
						06 06 21	
				DWG. BY:		JOB#	
				JQ		PPPP	
				DES. BY:		24" SOUR P TANK	
				TTCI		QUOTE#	

Tornado Technologies Canada Inc.

PH (403)742-6121  
FAX (403)742-1905  
TOLL FREE  
1-877-340-8141