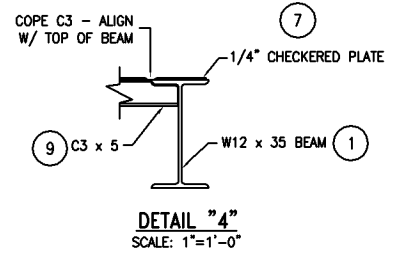
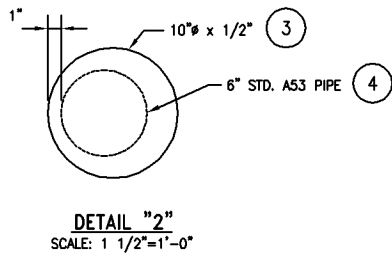
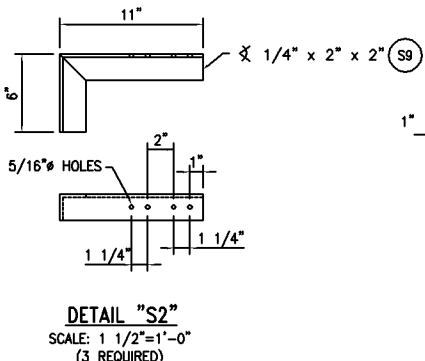
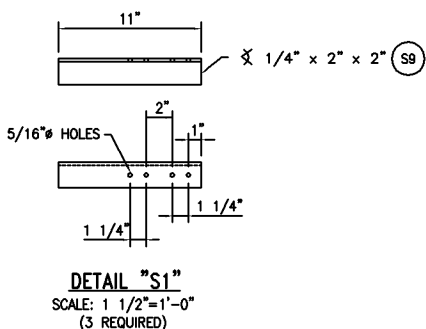
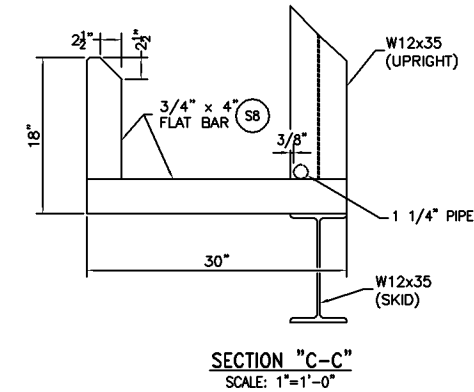
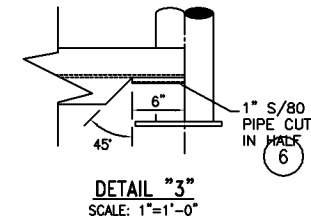
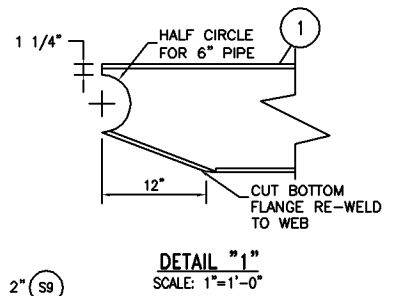
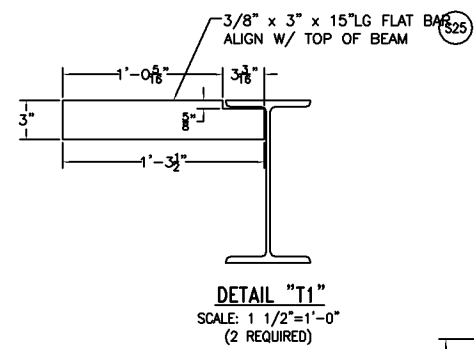
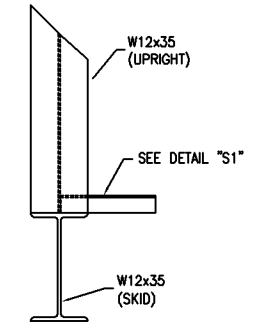
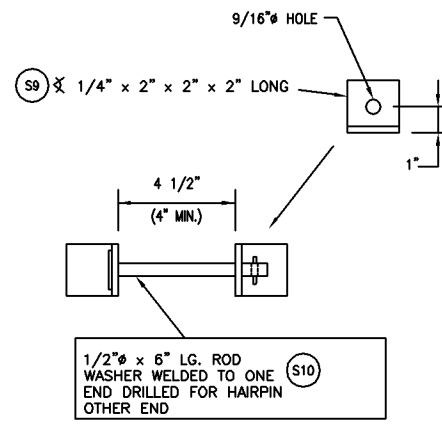
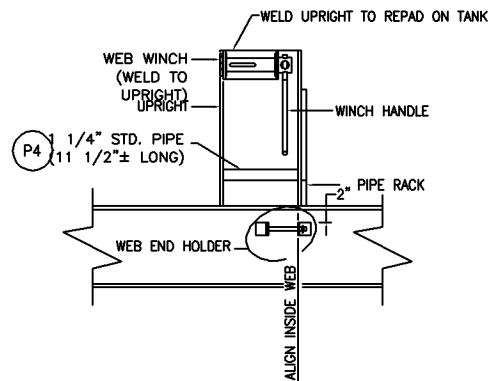
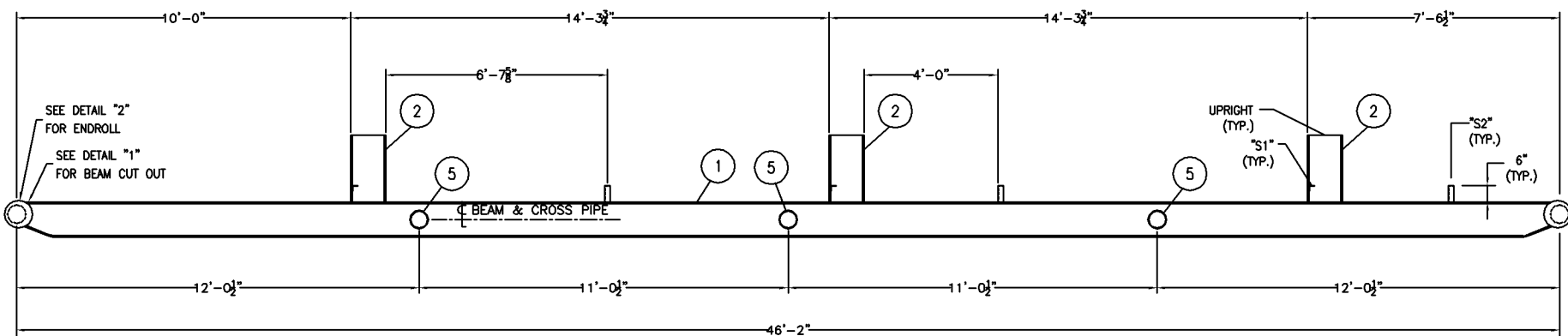
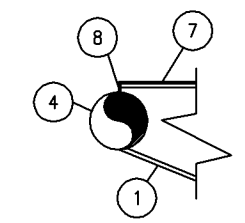
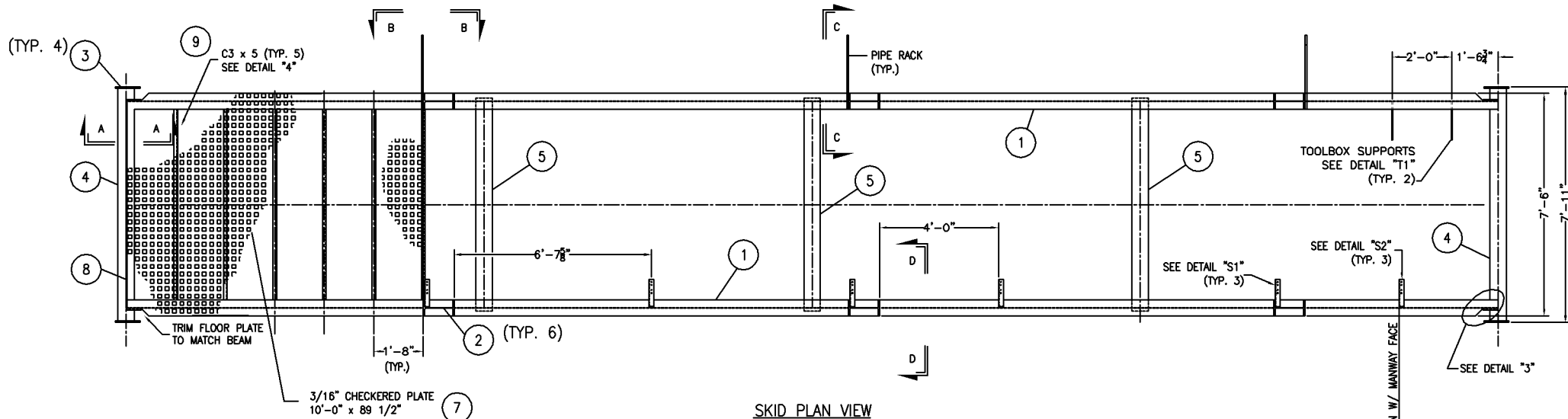


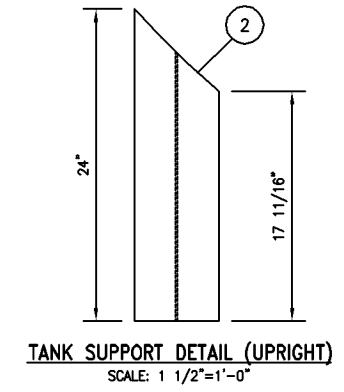
BILL OF MATERIAL

MK	QTY	DESCRIPTION	MATL.
S1	1	2 W12x35 BEAM (12.5"x6.5") x 46'-2" LONG	A-36
S1	2	6 W12x35 BEAM (12.5"x6.5") x 24" LONG (CTF)	A-36
S16	3	4 1/2" PLATE x 10" DIAMETER	A-36
P10	4	2 6" STD. PIPE x 7'-10" LONG	A53
P10	5	3 6" STD. PIPE x 7'-2" LONG	A53
P3	6	4 1" S/80 PIPE x 6" LONG CUT IN HALF	SA-106B
S19	7	1 3/16" CHECKERED PLATE x 10'-0" x B9 1/2"	A-36
S22	8	1 1/4" x 1" FLAT BAR x 6'-11 3/16" LONG	A-36
S23	9	5 C3 x 5 CHANNEL x 6'-11"(±) - (COPE)	A-36

BILL OF MATERIAL LISTED FOR SKID UNIT ONLY



FOR SHOP USE ONLY
REDUCED DRAWING NOT TO SCALE



NOTES

PAINT REQUIREMENTS:				
MANUFACTURER:				
SANDBLAST:				
PRIMER:				
INTERMEDIATE:				
TOPCOAT:				
IGNITION SYSTEM:				
0 21/09/06 JS ISSUED FOR APPROVAL				
No.	DATE	BY	CHK'D.	APP'D.
REVISIONS				

This drawing is the property of and intended only for the private use of TORNADO FLARE SYSTEMS and may not be reproduced or given to third parties without prior written consent.

DRAWN:	JS	CHECKED:	
DATE:	21/09/06	APPROVED:	
SCALE:	NTS	EST. WEIGHT:	5,300 LBS.

CUSTOMER:
TORNADO TECHNOLOGIES INC.

POSITIVE PRESSURE PRODUCTION PACKAGE
10' x 32' TANK / 7'-6" x 47' SKID
SKID UNIT PLANS AND SECTIONS

TORNADO TECHNOLOGIES INC.
STETTLE, AB.
1-800-661-4128

P.O. No.	
JOB SITE	
REVISION No.	0
DRAWING No.	TPP-32-100
SHEET	of