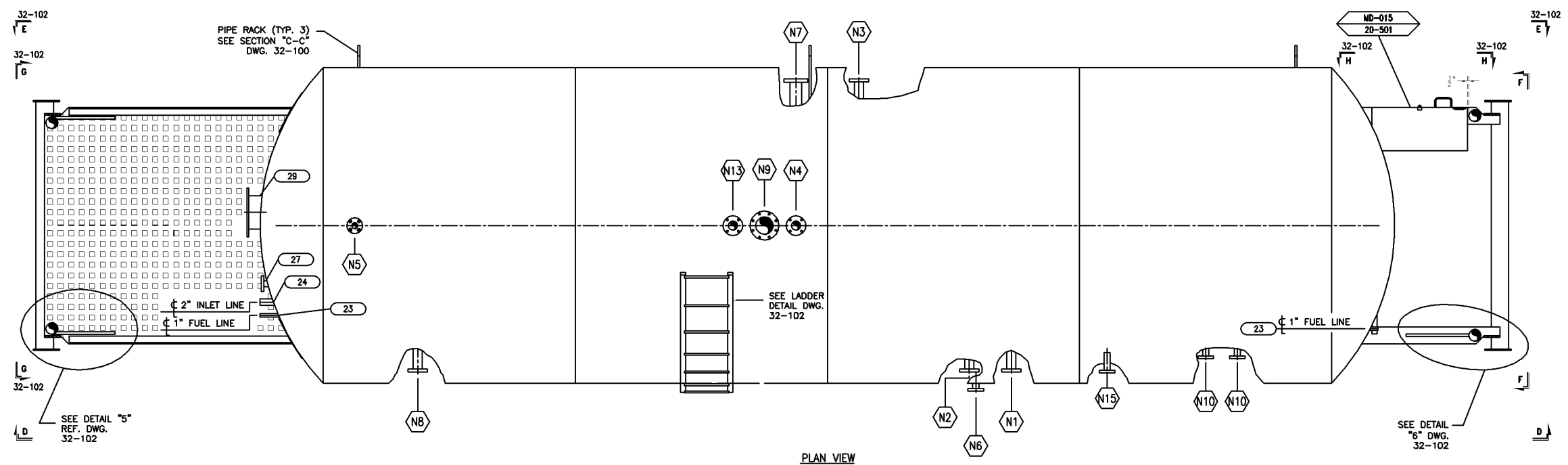
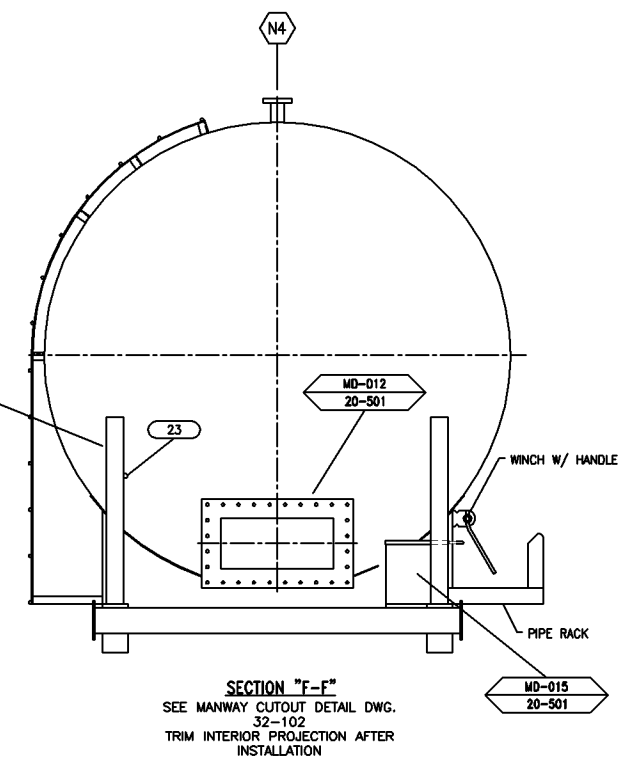
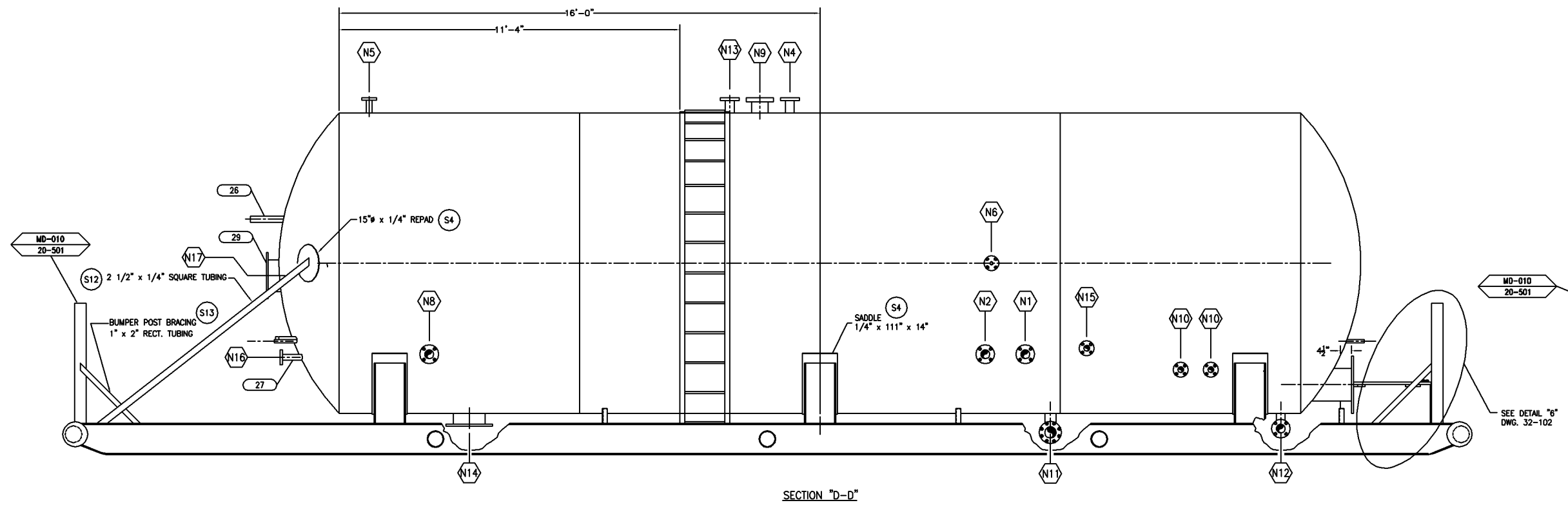


NOZZLE LEGEND							
MK	QTY	SIZE	RATING	CONN.	PROJ.	SPOOL	DESCRIPTION
N1	1	3"	150#	RF	8"	1	LOW LOAD LINE CONNECTION
N2	1	3"	150#	RF	8"	3	HIGH LOAD LINE CONNECTION
N3	1	3"	150#	RF	8"	4	COMPANION CONNECTION
N4	1	3"	150#	RF	6"	5	EQUALIZER CONNECTION
N5	1	2"	150#	RF	6"	6	POP LINE CONNECTION
N6	1	2"	150#	RF	3"	7	FLOAT CONNECTION
N7	1	4"	150#	RF	8"	8	ANODE CONNECTION
N8	1	3"	150#	RF	8"	9	TRUCK VENT CONNECTION
N9	1	6"	150#	RF	6"	10	D.A. VENT LINE CONNECTION
N10	2	3"	150#	RF	8"	11/12	THERMOWELL CONNECTION
N11	1	4"	150#	RF		13	4" DRAIN CONNECTION
N12	1	3"	150#	RF		14	3" DRAIN CONNECTION
N13	1	3"	150#	FF	6"	15	PRESSURE/VACUUM CONNECTION
N14	1	12"		FF	5"	19	FABRICATED VENTURI CONNECTION
N15	1	2"	150#	RF	5 3/4"	28	SAMPLE CONNECTION
N16	1	2"	150#	RF	8"	27	BLOWDOWN CONNECTION
N17	1	12"		FF	5 1/8"	29	JET WASH CONNECTION



FOR SHOP USE ONLY

REDUCED DRAWING NOT TO SCALE



NOTES

PAINT REQUIREMENTS:				
MANUFACTURER:				
SANDBLAST:				
PRIMER:				
INTERMEDIATE:				
TOPCOAT:				
IGNITION SYSTEM:	0	27/09/06	JS	ISSUED FOR APPROVAL
	No.	DATE	BY	CHK'D.
				APP'D.
				DESCRIPTION
				REVISIONS

This drawing is the property of and intended only for the private use of TORNADO FLARE SYSTEMS and may not be reproduced or given to third parties without prior written consent.

DRAWN: JS  
 DATE: 27/09/06  
 SCALE: NTS

CHECKED:  
 APPROVED:  
 EST. WEIGHT: 5,300 LBS.

CUSTOMER:  
 TORNADO TECHNOLOGIES INC.

**POSITIVE PRESS. PRODUCTION PACKAGE**  
**10' x 32' TANK / 7'-6" x 47' SKID**  
**GENERAL ARRANGEMENT**

**TORNADO TECHNOLOGIES INC.**  
 STETTLER, AB.  
 1-800-661-4128

P.O. No.	
JOB SITE	
REVISION No.	0
DRAWING No.	TPP-32-101
SHEET	__ of __