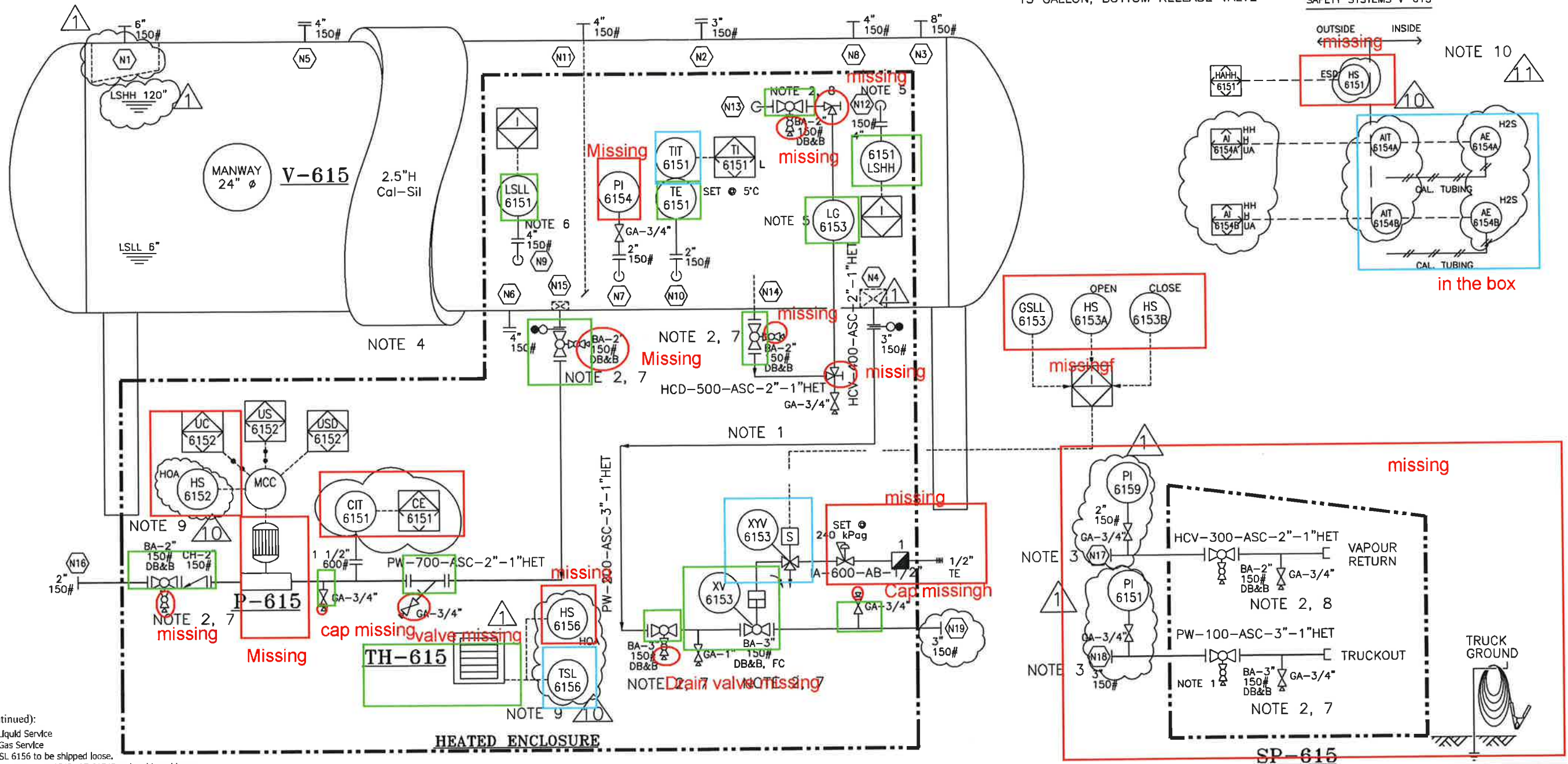
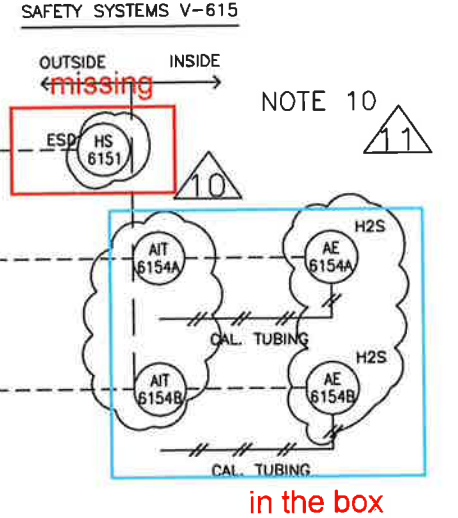
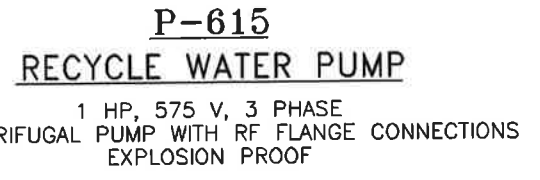
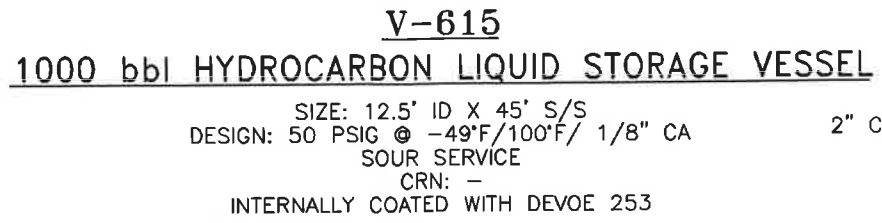
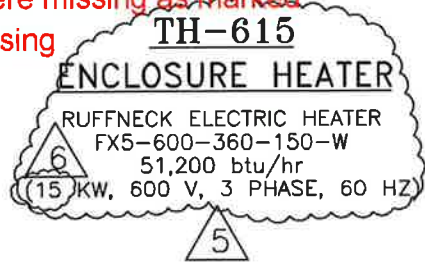


Note: Most of the drain valves were missing as marked
 All the ball valve handles are missing
 Blue means: Ship loose
 Green means: installed
 Red means: missing



GENERAL NOTES (continued):
 7. DBB Valve to be FP and Liquid Service
 8. DBB Valve to be FP and Gas Service
 9. HS 6152, HS6156, and TSL 6156 to be shipped loose.
 10. HS 6151, AIT 6154A, AE 6154A, AIT 6154B, AE 6154B to be shipped loose.

GENERAL NOTES:
 1. The mandate is to coat all truck-out and drain piping with Devco 253
 2. Isolation valves shall be coated with IPC 3000 corrosion protective coating
 3. Both vapour return and truck-out connections shall be terminated outside of the spill box with 2" & 3" flange connections
 4. Cladding to be 0.024 smooth aluminum
 5. LSHH-6151 is located at 120" from bottom & should be covered by LG-6153
 6. LSL-6151 located at least 6" from bottom & length-wise in the latter 25% of vessel



encana natural gas				
SWAN COMPRESSOR STATION LSD: c-12-B/93-P-9				
1000 bbl HYDROCARBON LIQUID STORAGE VESSEL V-615				
JOB#	DRAWN	DATE	DRAWING NO.	REV.
ENC-112	AABJ	29/03/12	ENC-112-PI-02	12

REV	REVISION DESCRIPTION	BY	DATE	CHD	APPD	REV	REVISION DESCRIPTION	BY	DATE	CHD	APPD
0	ISSUED FOR REVIEW	AABJ	12/09/11	-	-	7	ISSUED FOR REVIEW	AABJ	16/01/11	-	-
1	ISSUED FOR REVIEW	AABJ	20/09/11	-	-	8	ISSUED FOR REVIEW	MB	21/01/12	-	-
2	CHANGE NOZZLE NUMBERS TO MATCH V-611 NOZZLE NUMBERS	AABJ	04/10/11	-	-	9	ISSUED FOR CONSTRUCTION	MB	25/01/12	-	-
3	ISSUED FOR REVIEW	AABJ	21/10/11	-	-	10	ISSUED FOR CONSTRUCTION	MB	15/02/12	-	-
4	ISSUED FOR REVIEW	AABJ	10/11/11	-	-	11	ISSUED FOR CONSTRUCTION	MB	06/03/12	-	-
5	ISSUED FOR REVIEW	AABJ	07/12/11	-	-	12	ISSUED FOR CONSTRUCTION	MB	29/03/12	-	-
6	ISSUED FOR REVIEW	AABJ	22/12/11	-	-						