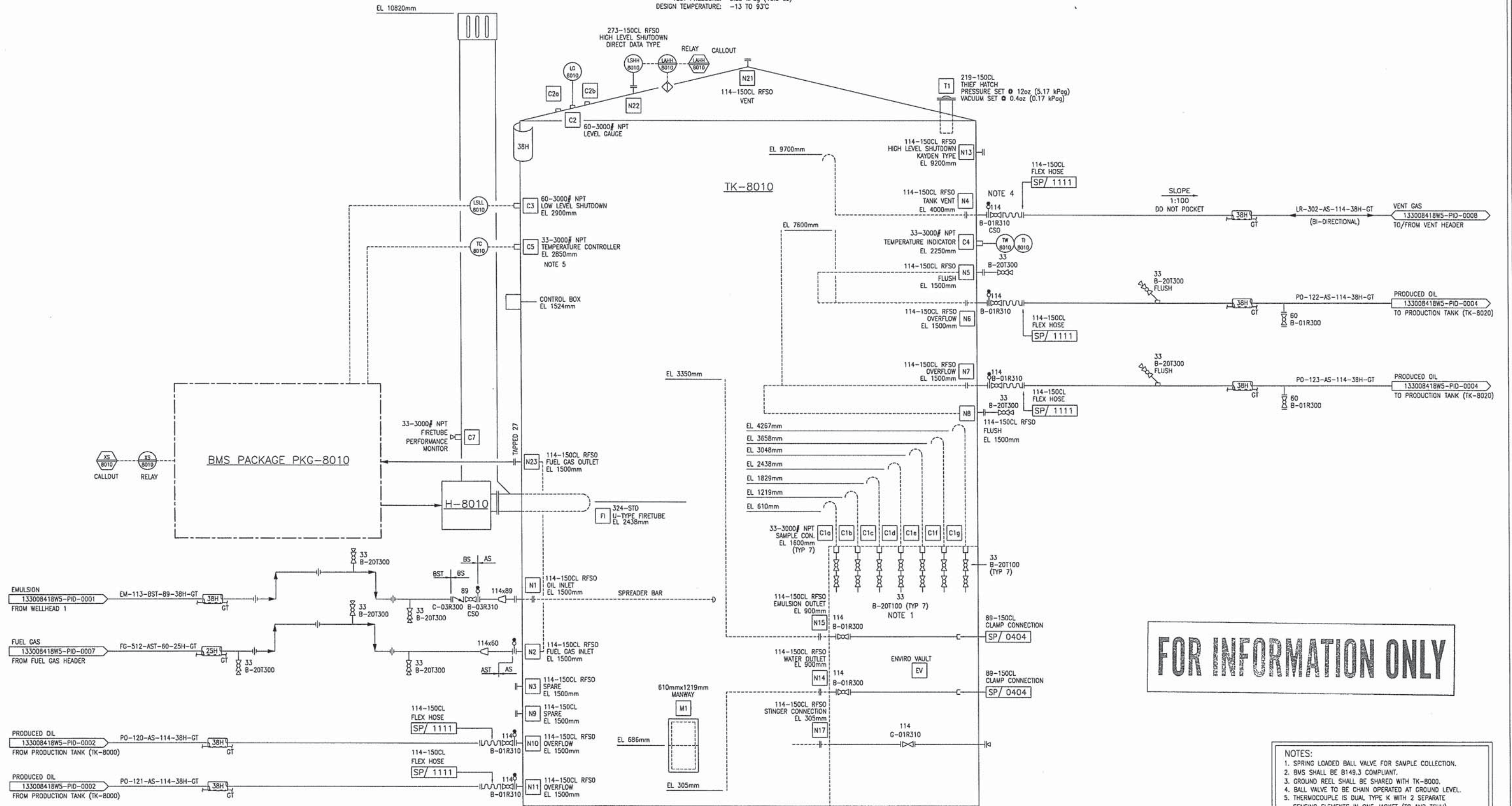


BMS_PKG-8010
 BURNER MANAGEMENT SYSTEM
 CAPACITY: 750-950 BTU
 MODEL: U.075-P.4
 VENDOR:

H-8010
 BURNER

TK-8010
 PRODUCTION TANK
 CAPACITY: 1000 BBL (160 CU.M)
 SIZE: 4648mm ID x 9754mm HIGH
 VENDOR: PEACELAND FABRICATING
 DESIGN PRESSURE: 6.89 kPag (16.0 oz) / 0.17 kPag (0.4 oz) VAC
 TEST PRESSURE: 6.89 kPag (16.0 oz)
 DESIGN TEMPERATURE: -13 TO 93°C



FOR INFORMATION ONLY

- NOTES:
1. SPRING LOADED BALL VALVE FOR SAMPLE COLLECTION.
 2. BMS SHALL BE B149.3 COMPLIANT.
 3. GROUND REEL SHALL BE SHARED WITH TK-8000.
 4. BALL VALVE TO BE CHAIN OPERATED AT GROUND LEVEL.
 5. THERMOCOUPLE IS DUAL TYPE K WITH 2 SEPARATE SENSING ELEMENTS IN ONE JACKET (TC AND TSH).

DRAWING#	REFERENCE DRAWING TITLE

REV	DATE	DESCRIPTION	DWN	CHKD	APPR
0	2015.01.20	ISSUED FOR CONSTRUCTION			

ENGINEER STAMP

THIS DRAWING IS THE PROPERTY OF PENNWEST AND ANY REPRODUCTION IN WHOLE OR PART WITHOUT EXPRESS WRITTEN PERMISSION IS PROHIBITED.

EQUINOX
 Engineering

SCALE: NTS SIZE: D
 EPCM PROJECT#: 227-06-03

PennWest

CADOTTE OIL WELL BATTERY
 1000BBL PRODUCTION TANK (TK-8010)
 LSD 13-30-084-18 W5M
 PIPING AND INSTRUMENTATION DIAGRAM

DWG# 133008418W5-PID-0003 SHT 1 OF 1 REV 0

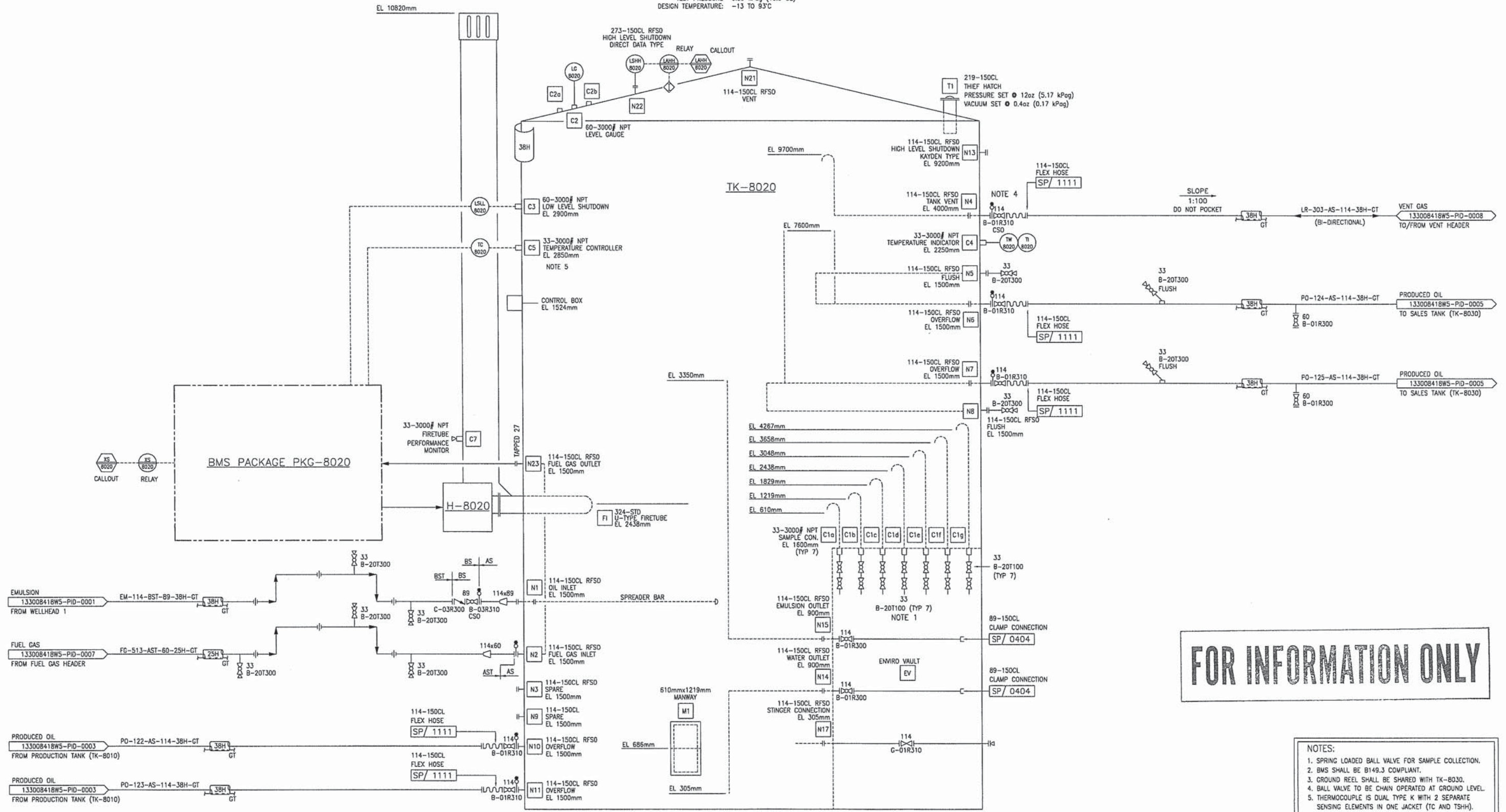
BMS PKG-8020
BURNER MANAGEMENT SYSTEM

CAPACITY: 750-950 BTU
 MODEL: U.075-P.4
 VENDOR:

H-8020
BURNER

TK-8020
PRODUCTION TANK

CAPACITY: 1000 BBL (160 CU.M)
 SIZE: 4648mm ID x 9754mm HIGH
 VENDOR: PEACELAND FABRICATING
 DESIGN PRESSURE: 6.89 kPag (16.0 oz) / 0.17 kPag (0.4 oz) VAC
 TEST PRESSURE: 6.89 kPag (16.0 OZ)
 DESIGN TEMPERATURE: -13 TO 93°C



FOR INFORMATION ONLY

- NOTES:
1. SPRING LOADED BALL VALVE FOR SAMPLE COLLECTION.
 2. BMS SHALL BE B149.3 COMPLIANT.
 3. GROUND REEL SHALL BE SHARED WITH TK-8030.
 4. BALL VALVE TO BE CHAIN OPERATED AT GROUND LEVEL.
 5. THERMOCOUPLE IS DUAL TYPE K WITH 2 SEPARATE SENSING ELEMENTS IN ONE JACKET (TC AND TSH).

DRAWING#	REFERENCE DRAWING TITLE

REV	DATE	DESCRIPTION	DWN	CHKD	APPR
0	2015.01.20	ISSUED FOR CONSTRUCTION			

ENGINEER STAMP		

EQUINOX
 Engineering

THIRD PARTY LOGO

SCALE: NTS SIZE: D

EPCM PROJECT#: 227-06-03

PennWest

CADOTTE OIL WELL BATTERY
 1000BBL PRODUCTION TANK (TK-8020)
 LSD 13-30-084-18 W5M
 PIPING AND INSTRUMENTATION DIAGRAM

DWG# 133008418W5-PID-0004 SHT 1 OF 1 REV 0

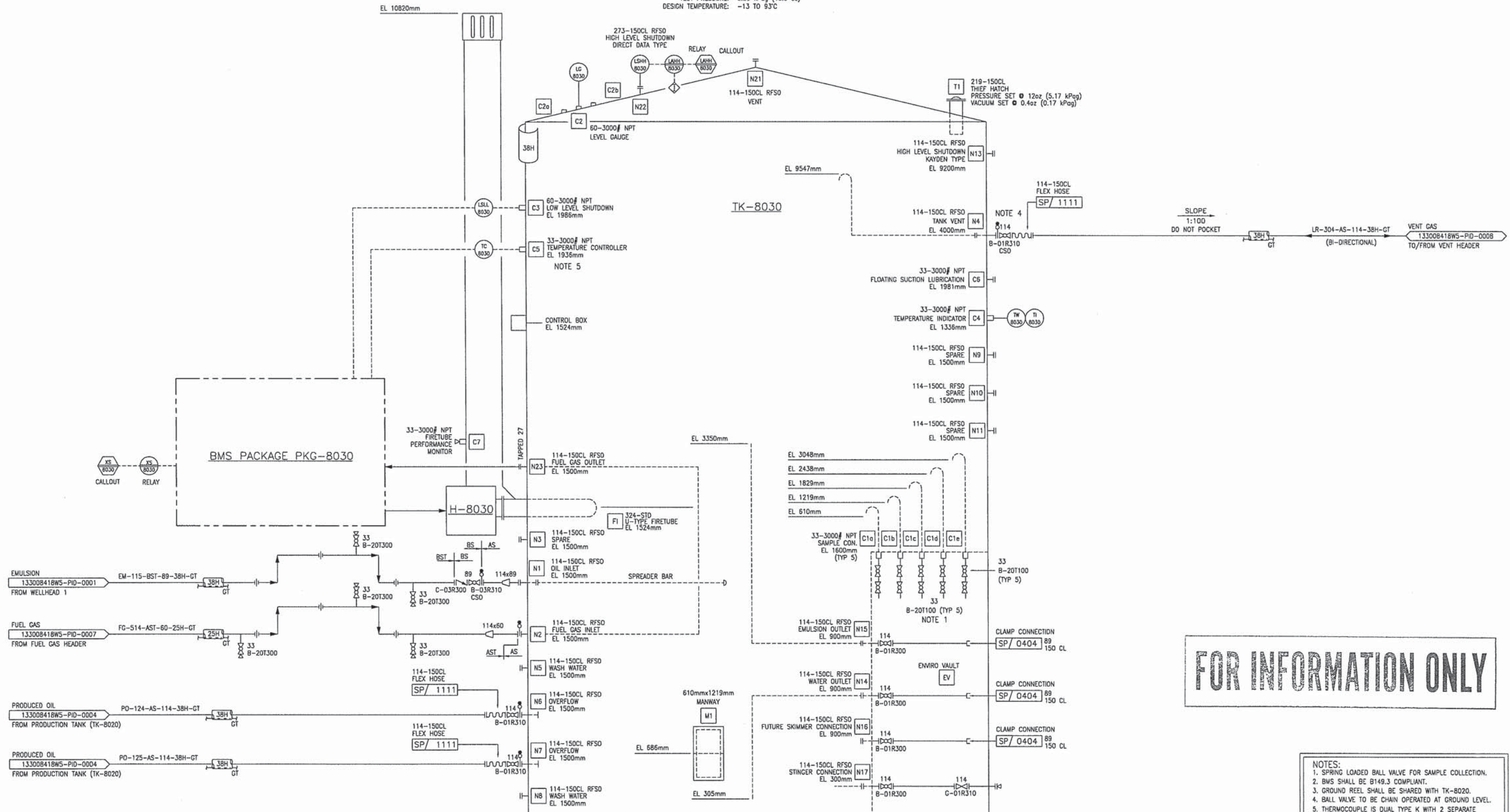
THIS DRAWING IS THE PROPERTY OF PENNWEST AND ANY REPRODUCTION IN WHOLE OR PART WITHOUT EXPRESS WRITTEN PERMISSION IS PROHIBITED.

BMS PKG-8030
BURNER MANAGEMENT SYSTEM

CAPACITY: 750-950 BTU
 MODEL: U.075-P.4
 VENDOR:

H-8030
BURNER

TK-8030
SALES TANK
 CAPACITY: 1000 BBL (160 CU.M)
 SIZE: 4648mm ID x 9754mm HIGH
 VENDOR: PEACELAND FABRICATING
 DESIGN PRESSURE: 6.89 kPag (16.0 oz) / 0.17 kPag (0.4 oz) VAC
 TEST PRESSURE: 6.89 kPag (16.0 oz)
 DESIGN TEMPERATURE: -13 TO 93°C



FOR INFORMATION ONLY

- NOTES:**
1. SPRING LOADED BALL VALVE FOR SAMPLE COLLECTION.
 2. BMS SHALL BE B149.3 COMPLIANT.
 3. GROUND REEL SHALL BE SHARED WITH TK-8020.
 4. BALL VALVE TO BE CHAIN OPERATED AT GROUND LEVEL.
 5. THERMOCOUPLE IS DUAL TYPE K WITH 2 SEPARATE SENSING ELEMENTS IN ONE JACKET (TC AND TSH).

DRAWING#	REFERENCE DRAWING TITLE

REV	DATE	DESCRIPTION	DWN	CHKD	APPR
0	2015.01.20	ISSUED FOR CONSTRUCTION	SBJ		

ENGINEER STAMP

THIS DRAWING IS THE PROPERTY OF PENNWEST AND ANY REPRODUCTION IN WHOLE OR PART WITHOUT EXPRESS WRITTEN PERMISSION IS PROHIBITED.

EQUINOX Engineering

THIRD PARTY LOGO

SCALE: NTS SIZE: 0

EPCM PROJECT#: 227-06-03

PennWest

CADOTTE OIL WELL BATTERY
 1000BBL SALES TANK (TK-8030)
 LSD 13-30-084-18 W5M
 PIPING AND INSTRUMENTATION DIAGRAM

DWG# 133008418W5-PID-0005 SHT 1 OF 1 REV 0