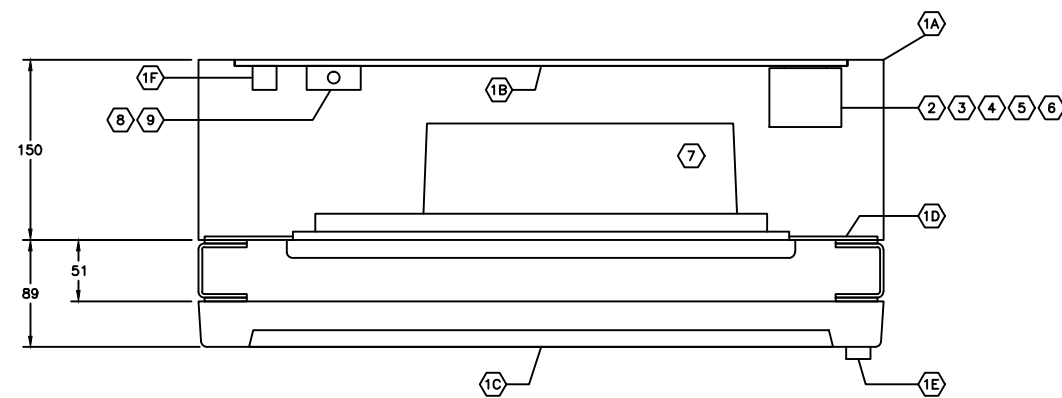
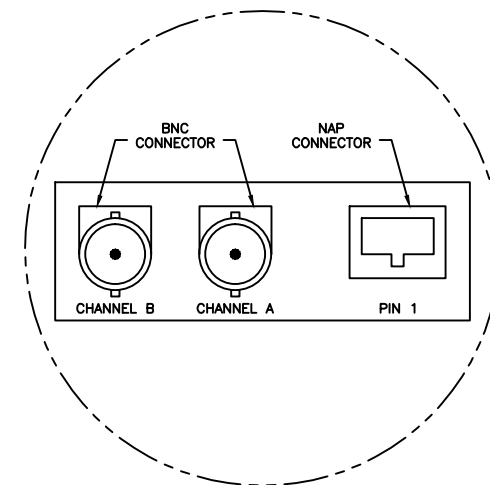


FRONT EXTERIOR VIEW

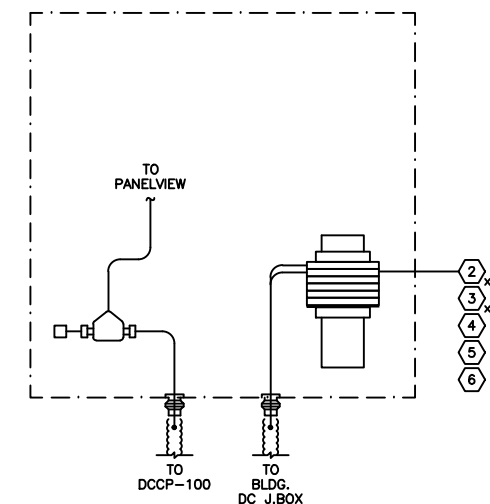


TOP SECTION

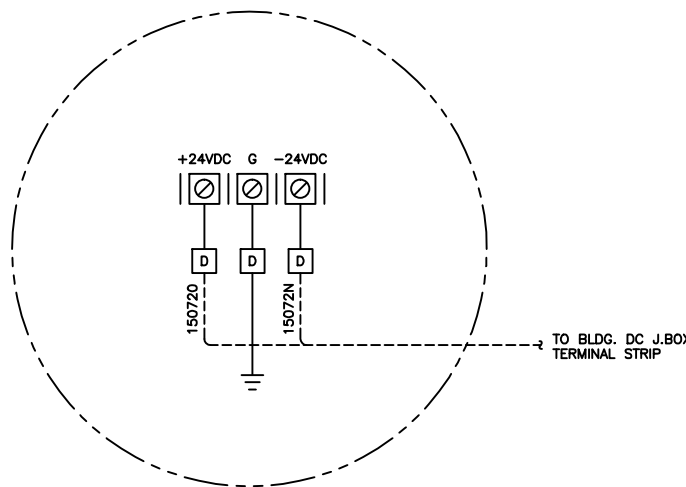


PANELVIEW POWER/COMMUNICATION CONNECTION DETAIL

CUSTOM ENCLOSURE BILL OF MATERIALS		
ITEM	QTY	DESCRIPTION
1	1	CUSTOM STEEL, OPERATOR INTERFACE ENCLOSURE c/w A - HOFFMAN CCB555715 SOLID BACK ENCLOSURE, B - HOFFMAN CP2020 BACKPAN, C - HOFFMAN CWH05557LG DEEP-HINGED WINDOW, D - HOFFMAN CCSK5557F13 PANELVIEW 1000 PREPUNCHED MOUNTING PLATE, E - HOFFMAN CWKN NON-LOCKING WING KNOB, F - HOFFMAN CCGK GROUND KIT.
2	6	WEIDMULLER WTR-4 DISCONNECT TERMINALS.
3	1	WEIDMULLER WAP-2.5/4/6/10 END PLATE.
4	2	WEIDMULLER EW-35 END BRACKET.
5	AS REQ'D	DEKAFIX MARKING TAG (#1-#30).
6	AS REQ'D	WEIDMULLER TS35 MOUNTING RAIL.
7	1	ALLEN BRADLEY 2711-K10C15L1 PANELVIEW 1000 KEYPAD, CONTROLNET, 24VDC.
8	-	CONTROLNET T CONNECTOR, CAT. #1786-TPS.
9	-	CONTROLNET END TERMINATOR, CAT. #1786-XT.



WIRING DETAIL



- NOTES:
- PANEL CONTRACTOR TO WIRE PANELVIEW +24VDC TO TERMINAL STRIP c/w 30" WIRE LOOP.
  - PANEL CONTRACTOR TO SUPPLY CONTROLNET "T" TAP AND END TERMINAL.

NO.	REVISION	PROJECT	DSN	DRN	CHK'D	APP'D	DATE
8	POST CONSTRUCTION REVISIONS	64165	BGO	DC	BGO		07.05.14
7	POST CONSTRUCTION REVISIONS	43874	BGO	AO	BGO		05.12.09
6	ISSUED FOR CONSTRUCTION	43874	BGO	FC	BGO	RLB	05.09.02
5	ISSUED FOR BID	43874	BGO	FC	BGO		05.08.16
4	ISSUED FOR SKID CONSTRUCTION	43874	BGO	FC	BGO		05.08.08
3	GENERAL REVISIONS	43874	BGO	FC	BGO		05.05.30
2	ISSUED FOR PANEL CONSTRUCTION	43874	BGO	FC	BGO		05.05.27
1	ISSUED FOR PANEL BID	43874	MTR	SM	MTR		05.05.12
0	ISSUED FOR APPROVAL	43874	BGO	FC	BGO		05.05.12

PERMIT STAMP:

GENERAL NOTES:

- "POST CONSTRUCTION REVISIONS" ARE GENERATED FROM CONSTRUCTION CHANGE ORDERS SUBMITTED TO BOWER DAMBERGER ROLSETH ENGINEERS OR L.L.B. BY THE OWNER. FIELD SUPERVISORS AND ON-SITE CONTRACTORS ARE ADVISED NOT TO RECORD ANY CHANGES ON THE DRAWINGS AND TO REFER TO THE CONSTRUCTION CHANGE ORDER FOR AN ACCURATE REPRESENTATION OF THE CONSTRUCTED FACILITY.
- PRIOR TO THE COMMENCEMENT OF ANY CONSTRUCTION AND ON EXHAUSTION OF ALL OF THE RESPONSIBILITY OF THE OWNER OF ANY PARTIAL TO WHOLE, THE LOCATION OF ANY PARTIAL TO WHOLE, ELECTRICAL EQUIPMENT OR MATERIALS.
- ANY REVISIONS MADE TO EXISTING EQUIPMENT, APPARATUS OR ELECTRICAL ON A FACILITY NOT DESIGNED BY B.A.R. E.L.B. IS ONLY SHOWN AS A REPRESENTATION OF WHAT EXISTS AND MUST BE VERIFIED BY THE OWNER.

	BY	DATE
DESIGN	BGO	05.05.09
DRAWN	FC	05.05.09
CHK'D	BGO	05.09.02
APP'D	RLB	05.09.02
L.S.D.	11-17-63-06 W5M	



FORT ENERGY CORP.

CLEARWATER GAS PLANT  
C-300 AMINE BUILDING  
REMOTE OPERATOR INTERFACE J.BOX DETAILS

SCALE	DRAWING NUMBER	REV
1 : 3	D-43874-E-17-055	8