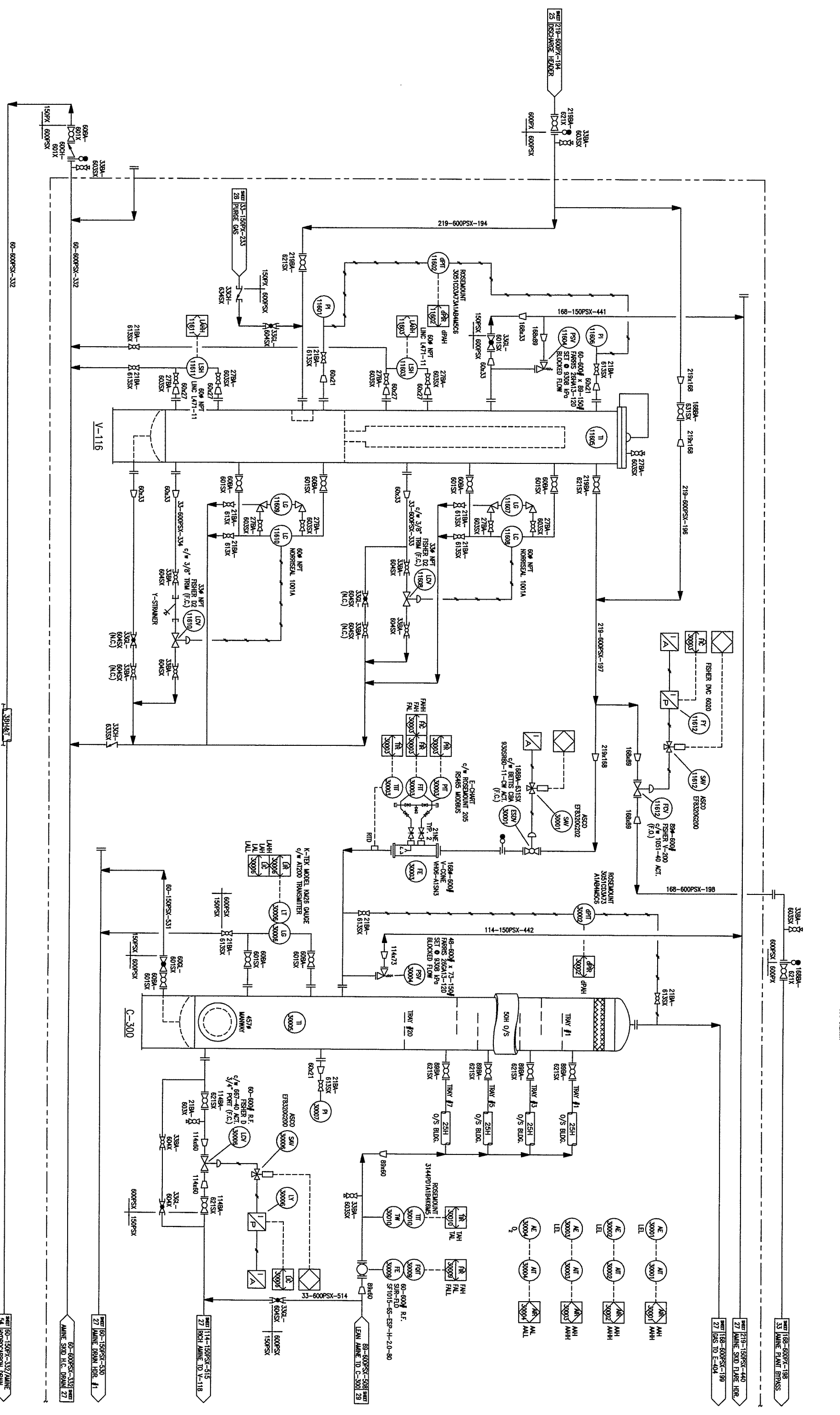


V-116  
 FILTER SEPARATOR  
 610 O.D. x 3048 S/S  
 D.P. 8308 lps @ -29/83°C  
 C.A. 3.2mm

C-300  
 AMINE CONDENSATOR  
 614 O.D. x 15240 S/S  
 D.P. 8308 lps @ -29/83°C  
 C.A. 3.2mm



SHEET NUMBER	DRAWING NUMBER	REV
26 OF 58	1-17-63-06-W5-3026	12

60-600PSX-332

60-600PSX-332

60-600PSX-332

60-600PSX-332

60-600PSX-332

60-600PSX-332

60-600PSX-332

60-600PSX-332

60-600PSX-332

60-600PSX-332

60-600PSX-332

60-600PSX-332

60-600PSX-332

60-600PSX-332

60-600PSX-332

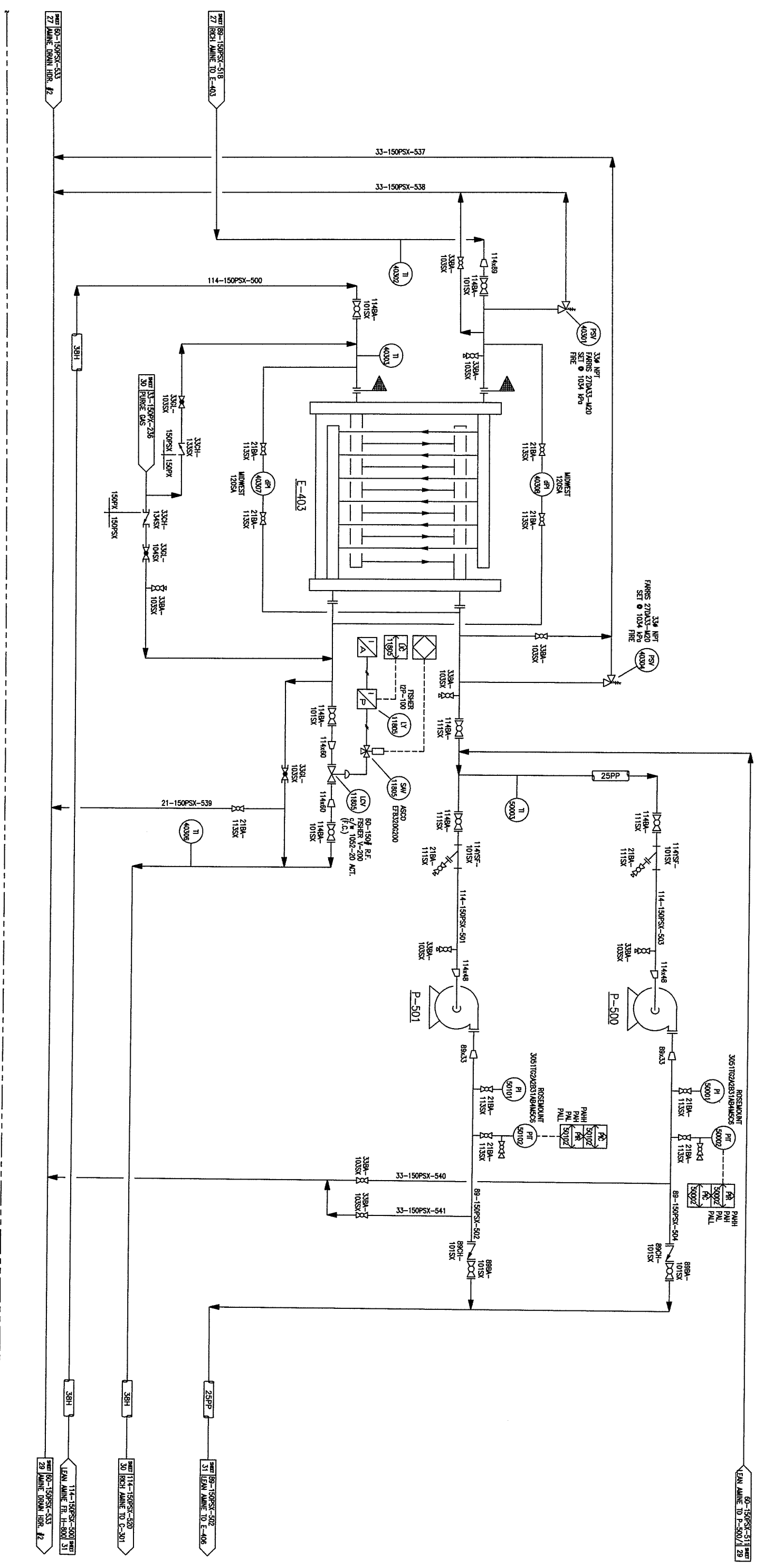
60-600PSX-332

60-600PSX-332



E-403  
 LEAN/RICH AMINE EXCHANGER  
 VEB PLATE MODEL VV-6-SS-FS-1-100  
 DIM: 1.695 MM B/U/MR  
 D.P. 1004 KPa -29/149C

P-500/501  
 LEAN AMINE BOOSTER PUMPS  
 DEAN ROBEI COW 206 1-1/2" X 8"  
 7.5 HP 1.2 MOTOR 3500 R.P.M.  
 230-460/5/90 VFD



SHEET NUMBER	DRAWING NUMBER	REV
28 OF 58	11-17-63-06-W5-3028	12

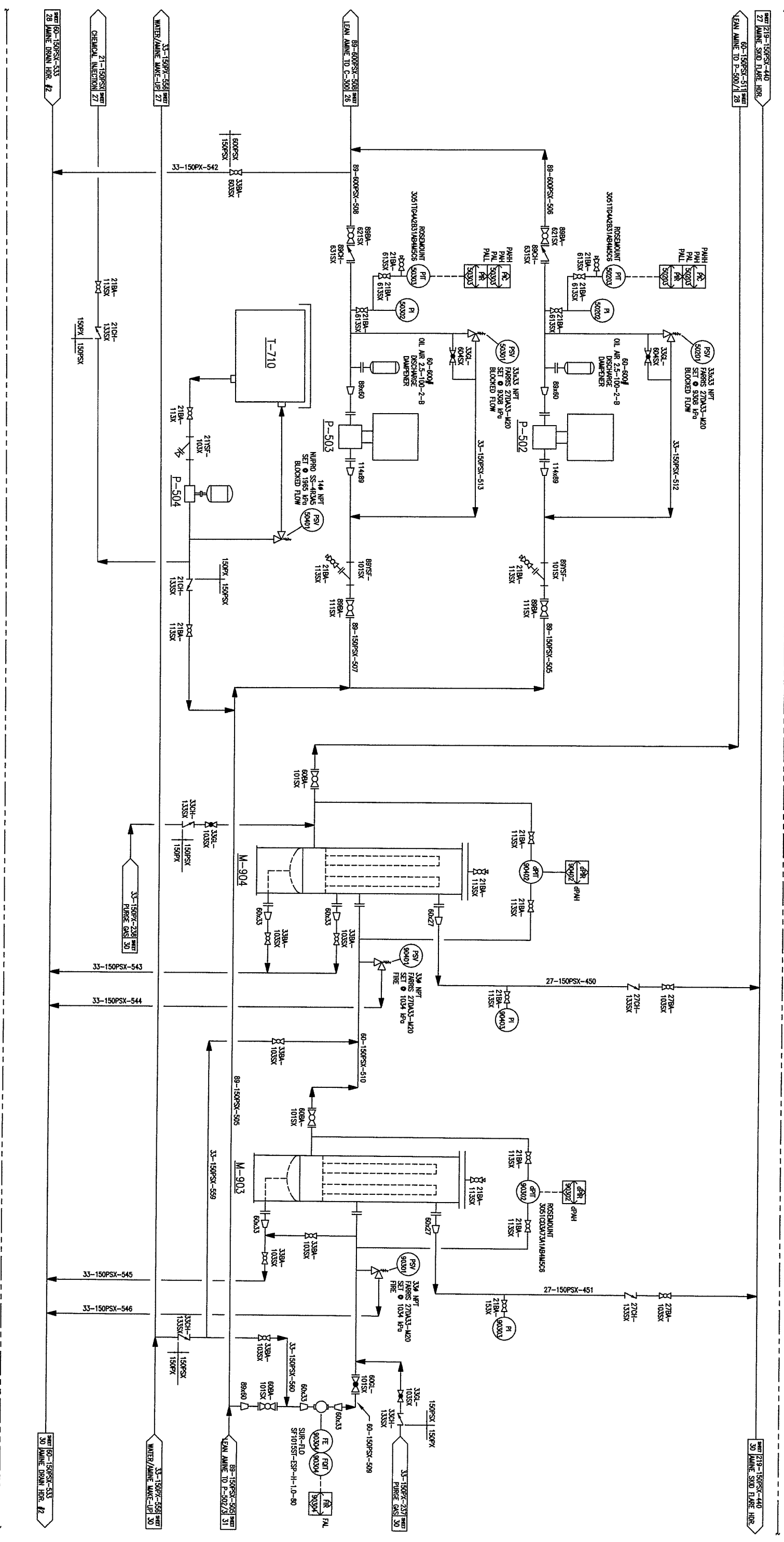
T-710  
CHEMICAL TANK  
5 GALLON

P-504  
CHEMICAL INJECTION PUMP  
WESTERN MODEL WA43 3/8"WT/3  
1/3 H.P. X.P. MOTOR  
120/208V/1/60

P-502/503  
LEAN AMINE CHARGE PUMPS  
DUPLIX S.S. TRIPLEX MODEL M142SS  
60 H.P. 1200 R.P.M. X.P. MOTOR  
230-460/3/60 c/w VFD

M-904  
AMINE CARBON FILTER  
408 O.D. x 1118 S/S  
D.P. 1793 Ppd @ -29/89°C  
C.A. 32mm

M-903  
LEAN AMINE PARTICULATE FILTER  
168 O.D. x 1824 S/S  
D.P. 1793 Ppd @ -29/89°C  
C.A. 32mm

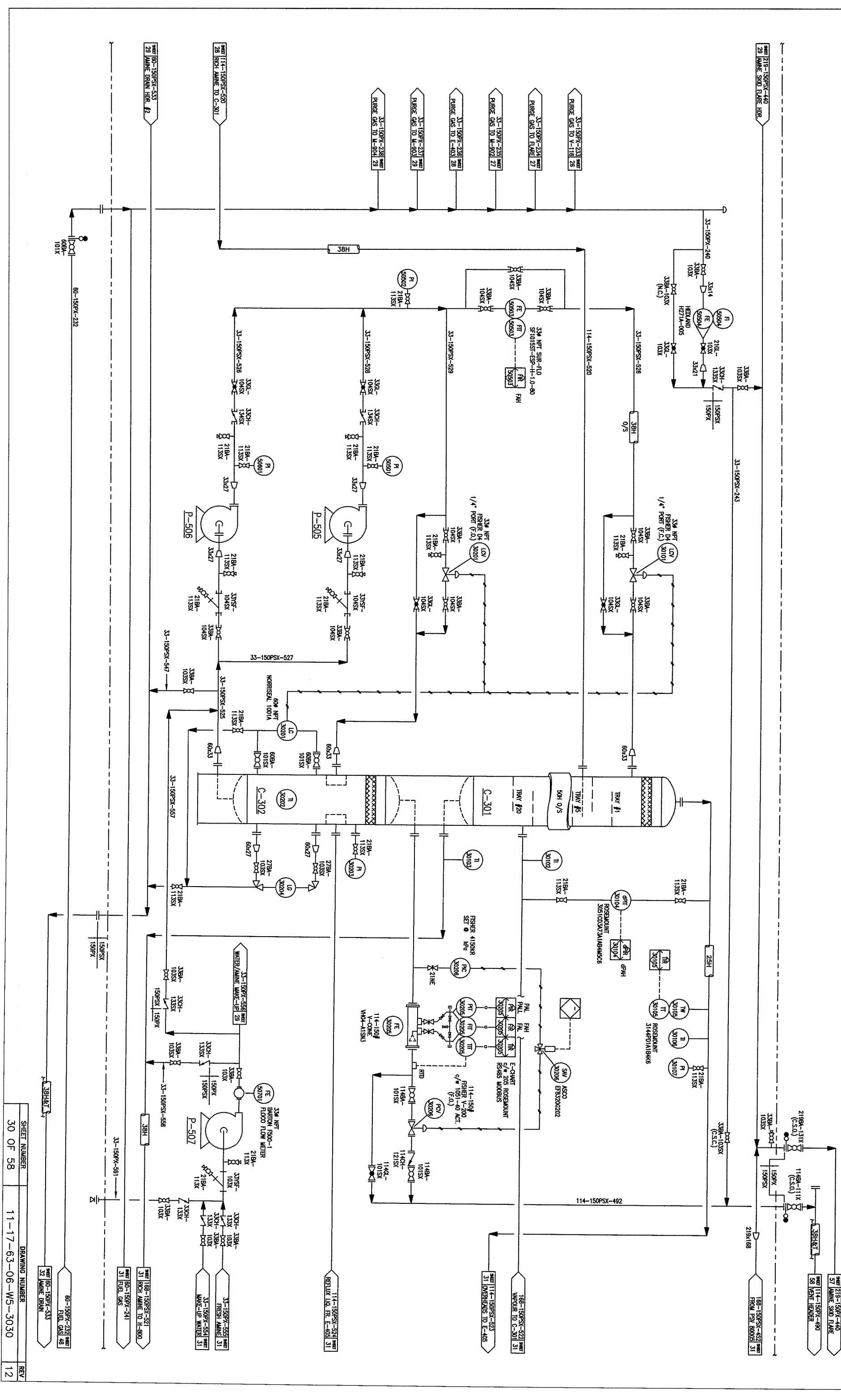


P-505/506  
REFLUX PUMPS  
DEAN MODEL 3/4 DL  
2 HP. X.P. MOTOR, 3550 R.P.M.  
230/480V/3/Ø

C-301  
AMINE REGENERATOR  
914 O.D. x 18240 S/S  
D.P. 517 lbs. -29/149C  
C.A. 3.2mm

C-302  
REFLUX ACCUMULATOR  
914 O.D. x 18240 S/S  
D.P. 517 lbs. -29/149C  
C.A. 3.2mm

P-507  
WATER/AMINE MAKE-UP PUMP  
DEAN MODEL 3/4 DL  
2 HP. X.P. MOTOR, 3550 R.P.M.  
230/480V/3/Ø



SHEET NUMBER	DRAWING NUMBER
30 OF 58	11-17-63-06-W5-3030
REV	
12	



I-705  
FRESH AMINE TANK  
2899# x 2438 HIGH  
100 Bbl

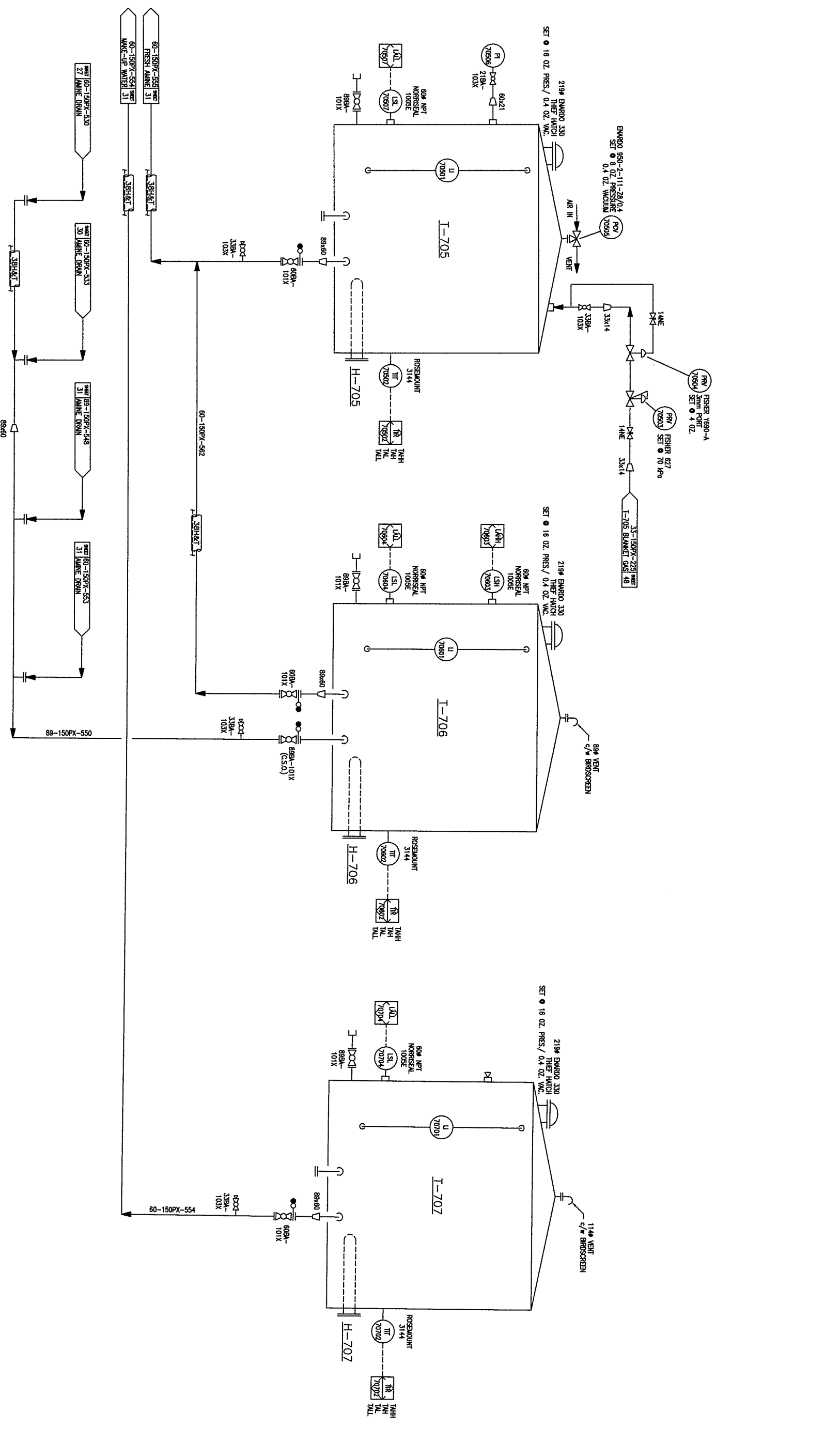
H-705  
IMMERSION TANK HEATER  
CALORTECH MODEL M420X-287X  
480 VOLT, 3 PHASE, 50W  
82" IMERSION LENGTH  
X.P. TERMINAL BOX  
149C TO 371C PILOT DUTY CYCLING HIGH LIMIT

I-706  
AMINE DRAIN TANK  
2899# x 2438 HIGH  
100 Bbl

H-706  
IMMERSION TANK HEATER  
CALORTECH MODEL M420X-287X  
480 VOLT, 3 PHASE, 50W  
82" IMERSION LENGTH  
X.P. TERMINAL BOX  
149C TO 371C PILOT DUTY CYCLING HIGH LIMIT

I-707  
MAKE-UP WATER TANK  
3559# x 3048 HIGH  
200 Bbl  
INTERNALLY COATED

H-707  
IMMERSION TANK HEATER  
CALORTECH MODEL M420X-287X  
480 VOLT, 3 PHASE, 50W  
82" IMERSION LENGTH  
X.P. TERMINAL BOX  
149C TO 371C PILOT DUTY CYCLING HIGH LIMIT



SHEET NUMBER	DRAWING NUMBER	REV
32 OF 58	11-17-63-06-WS-3032	12