

REV	DATE	BY	DESCRIPTION
0	2008-09-22	CM	ISSUED FOR APPROVAL
1	2008-10-14	CM	ISSUED FOR CONSTRUCTION
2	2008-11-13	CM	AS-BUILT

ALL DIMENSIONS IN MILLIMETRES
 UNLESS OTHERWISE NOTED
 WHOLE NUMBERS ±1mm ONE DECIMAL PLACE ±0.5mm
 IMPORTANT
 THE INFORMATION CONTAINED HEREON WHICH IS THE PROPERTY OF FINNING (CANADA) MUST BE MAINTAINED IN CONFIDENCE, AND NO PORTION OF THIS DRAWING MAY BE REPRODUCED OR USED, WITHOUT THE EXPRESS PERMISSION OF THE COMPANY.
 SCALE: 1:40
 EJOB: K0844 ID: K0844...46
 DRAWN: 2008-09-22 CM APPR'D: 2008-09-24 DMH
 CHECKED: 2008-09-24 DMH DESIGNED: 2008-09-22 CM

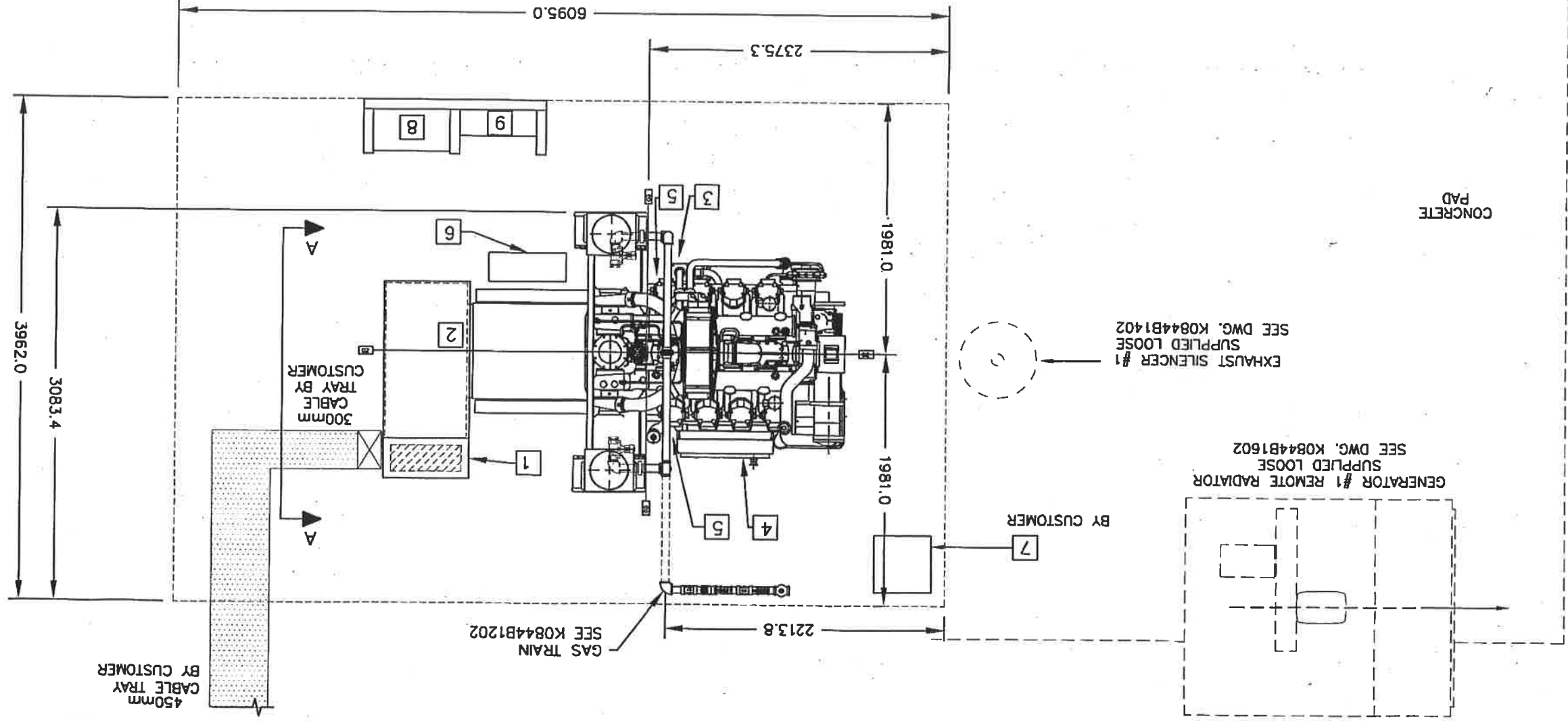


TRANS CANADA PIPELINES LIMITED
 GENERATOR ROOM
 PROPOSED LAYOUT
 G3508LE 360KW 600V 60HZ
 GENERATOR SET
 DRAWING NO. K0844B0001
 SHEET 1 OF 1
 REV. 2



NOTE:
 1. SEE K0844B0002 FOR SECTION A-A.
 2. FUEL GAS FILTER AND PRESSURE REGULATOR ARE SUPPLIED LOOSE AND NOT SHOWN IN THIS LAYOUT.
 3. BUILDING SHOWN FOR REPRESENTATION ONLY, FINAL BUILDING SIZE T.B.D.

- 1 GENERATOR CIRCUIT BREAKER
- 2 ALTERNATOR VOLTAGE REGULATOR
- 3 ENGINE STARTER
- 4 ENGINE JUNCTION BOX
- 5 ENGINE JACKET WATER HEATER
- 6 REMOTE RADIATOR FAN STARTER
- 7 BATTERY CHARGER - BY CUSTOMER
- 8 "OFF MOUNTED" ENGINE CONTROL PANEL
- 9 24V JUNCTION BOX



5
4
3
2

A B C D E F G H

08-07-25 u8:22
 FILE NAME: K0844B1101R2 G3

REV	DATE	BY	DESCRIPTION
0	2008-09-22	CM	ISSUED FOR APPROVAL
1	2008-10-14	CM	ISSUED FOR CONSTRUCTION
2	2008-11-13	CM	AS-BUILT

ALL DIMENSIONS IN MILLIMETRES
 UNLESS OTHERWISE NOTED
 WHOLE NUMBERS ±1mm ONE DECIMAL PLACE ±0.5mm
 IMPORTANT
 THE INFORMATION CONTAINED HEREON WHICH IS THE PROPERTY OF FINNING (CANADA) MUST BE MAINTAINED IN CONFIDENCE, AND NO PORTION OF THIS DRAWING MAY BE REPRODUCED OR USED, WITHOUT THE EXPRESS PERMISSION OF THE COMPANY.
 SCALE: 1:15
 EJOB: K0844 ID: K0844...46
 DRAWN: 2008-07-25 BS APPR'D: N/A
 CHECKED: N/A
 DESIGNED: N/A
 N/A

Finning (Canada)
 Power Systems
 120 - 15100 River Road, Richmond, B.C., Canada V6V 1L5
 Tel: (604) 271-3900 Fax: (604) 271-3910 Internet: www.finning.ca

TRANS CANADA PIPELINES LIMITED
 GENERAL ASSEMBLY
 G3508LE 360KW 600V 60HZ
 GENERATOR SET
 RIGHT SIDE VIEW
 SHEET 1 OF 1
 REV. 2
 K0844B1101

NOTES:
 EMP II + CONTROL PANEL SHIPPED LOOSE

