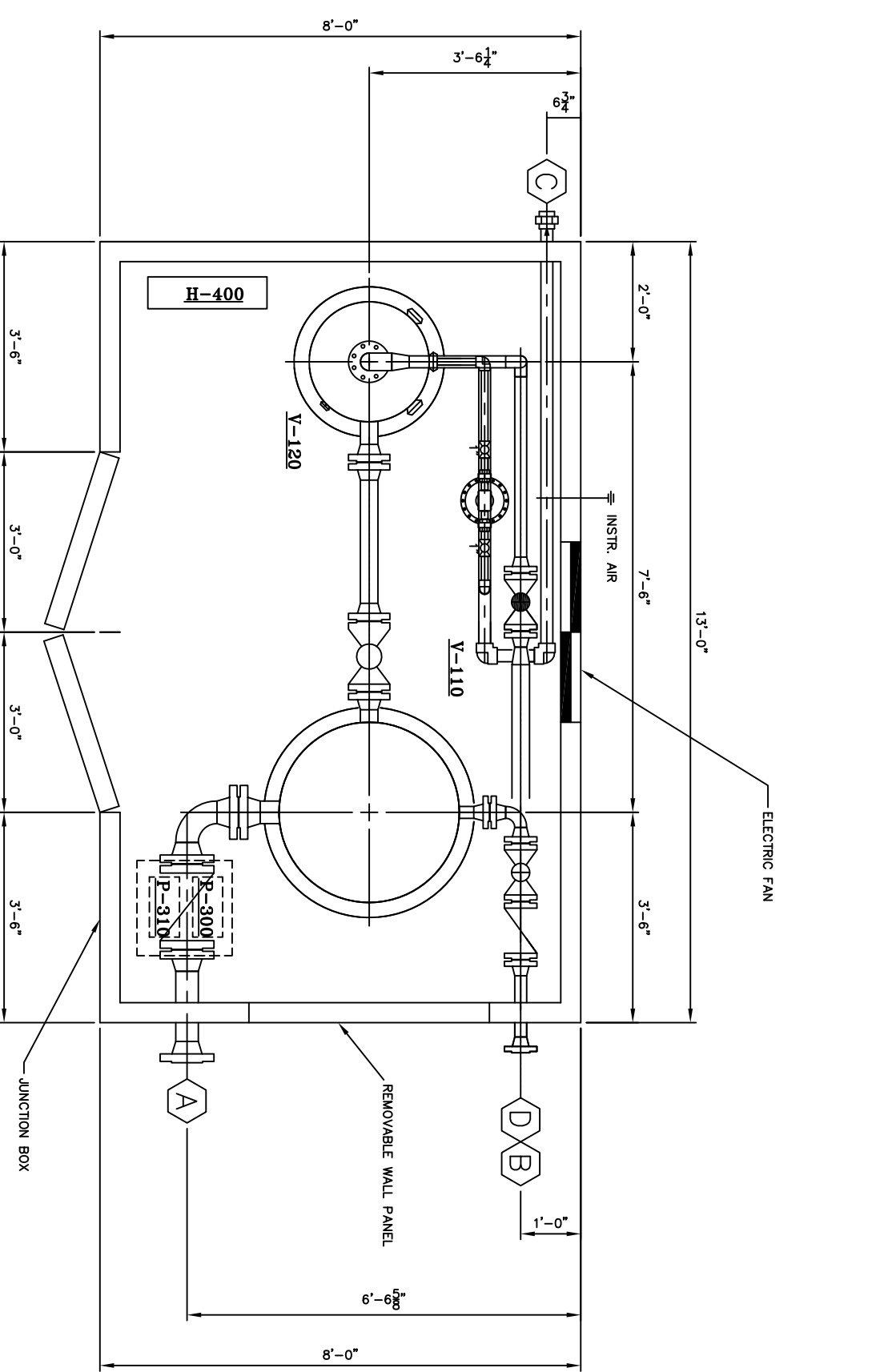


# ELEVATION



# PLANVIEW

- A-4" 600# RFWN INLET
- B-3" 600# RFWN GAS OUTLET
- C-2" NPT WATER OUT
- D-2" 600# RFWN FILL

# PRIDE

ENERGY MANUFACTURING LTD.



REV.#	REVISION	BY	APPR	DATE
1	ADDED A ELECTRIC FAN & JUNCTION BOX FOR APPROVAL	SL		02/05/16
0		SL		02/05/10

CUSTOMER NAME: **KEY WEST PETROLEUM**      JOB# **02-061**

<b>H2S SWEETNER PACKAGE</b>			
DWG. NO.	02-061-L-01	SCALE	1:15
DATE	02/05/09	SH#	1 of 1