

BILL OF MATERIALS

TAG	QTY.	MAKE	DESCRIPTION
PSV-110	1	MERCER	1' MNPT X 1' FNPT MERCER MODEL 91-17C5111N1. 'C' DRIFICE, NACE SET @ 1440 PSI, 2 MILLION SCF/D, NATURAL GAS AND 6 BARRELS OF LIQUID PER DAY
PSV-120	1	MERCER	1' MNPT X 1' FNPT MERCER MODEL 91-17C5111N1. 'C' DRIFICE, NACE SET @ 1440 PSI,
PI-110/120 130	3	HYDROPOISE	HYDROPOISE PRESSURE GAUGE, LIQUID FILLED 4' DIA. FACE X 1/2' NPT BOTTOM MOUNT END CONNECTION, SS CASE AND INTERNALS 0 - 2000 PSIG/0-14000 KPA, DUAL SCALE
TI-110/120 121	3	TREND	TEMPERATURE INDICATOR, 1/2" NPT BACK CONNECTION, 6' STEM, -20°F/120°F RANGE, DUAL SCALE, 1/2" FNPT X 3/4" MNPT X 6" "U" DIMENSION LENGTH 316 SST THERMOWELL
LG-120	1	QUALITY	QUALITY LEVEL GAUGES 3/4" NPT NACE MODEL 1RMS REFLEX HIGH PRESSURE SITE GLASS C/W HIGH PRESSURE GAUGE VALVES.
LC-120	1	FISHER	FISHER L2 LEVEL CONTROL 2" NPT PROCESS CONNECTION, NACE COMPLIANT, SNAP ACTING CONTROL, 1 7/8" X 12 LG, VERTICAL FLOAT DIRECT ACTING INSTRUMENT SIGNAL
LCV-120	1	FISHER	FISHER D2 LIQUID CONTROL VALVE 1" NPT END CONNECTION, 1/4" - 1/2" FIELD ADJUSTABLE TRIM NACE COMPLIANT, AIR TO OPEN/ FAIL CLOSED
FQI-110	1	PRIMARY FLOW	1/4" NPT FPP OVAL GEAR FLOW METER C/W ALTUS XL PLUS 4-20 MA
PRV-120	1	FISHER	MODEL 67 CFR REGULATORS, 1/4" NPT 0-35 PSIG RANGE, STD. TRIM, REMANUFACTURED
1"BA4M1	9	NAVCO	1" NPT 2000# BALL VALVE R.P., NACE
1/2"BA4M1	3	NAVCO	1/2" NPT 2000# R.P., BALL VALVE, NACE
3/4"BA4M1	2	NAVCO	3/4" NPT 2000# BALL VALVE R.P., NACE
1/2"NE4P1	2	CENTURY	1/2" NPT 6000# Mx F NEEDLE VALVE S.S., MODEL # CM2-1-M44T-B-V
1/4"NE4P1	1	CENTURY	1/4" NPT 6000# Mx F NEEDLE VALVE S.S., MODEL # CM2-2-M22T-B-V
2"BA4M1	2	NAVCO	2" NPT 2000# BALL VALVE R.P., NACE
2"BA1D1	2	NUTRON	2" 600# RFWN BALL VALVE
2"GL1D1	1	NAVCO	2" 600# RFWN GLOBE VALVE
4"C1D1	1	WHEATLEY	4" 600# RFWN CHECK VALVE
2"C1D1	1	WHEATLEY	2" 600# RFWN CHECK VALVE
1"C4M1	1	WHEATLEY	1" NPT CHECK VALVE
1"Y4M1	1	NAVCO	1" NPT 'Y' STRAINER, NACE

V-110 2 PHASE VERT. SWEETNER

SIZE: 36" OD x 20'-0" S/S
DESIGN PRESSURE: 1440 PSIG @ 100°F
CORROSION ALLOWANCE: 1/8"
X-RAY: RT-1
MDMT: -20°F
P.W.H.T.

V-120 3 PHASE VERT. SEPARATOR

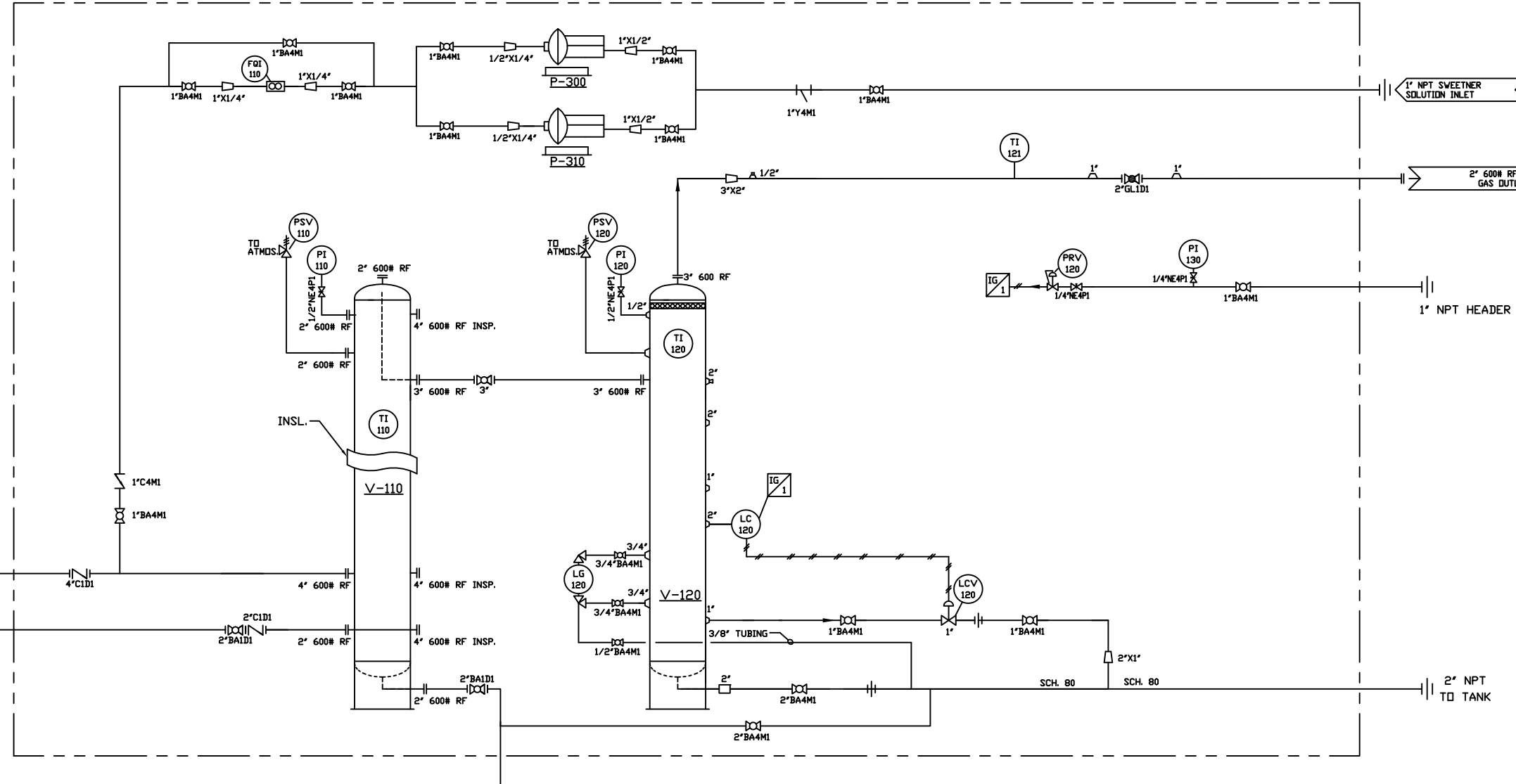
SIZE: 24" OD x 8'-0" S/S
DESIGN PRESSURE: 1440 PSIG @ 100°F
CORROSION ALLOWANCE: 1/8"
X-RAY: RT-2
MDMT: -20°F

H-400 BUILDING HEATER

MAKE: RUFFNECK
SUPPLIED 'FREE ISSUE'

P-300/310

MODEL RH11-153XSESEM1NN
1/3 H.P. 1725 RPM, 2.8 USGPH
MAX. DISCHARGE 1800 PSIG,
1 PH / 115/208-230V X.P.
BALDOR DRIVE MOTOR



NOTES:

- QUANTITIES IN B.O.M. ARE FOR ONE (1) UNIT.
- ALL PIPING TO BE IN ACCORDANCE WITH THE LATEST EDITION OF ANSI B31.3 PRESSURE PIPING CODE.
- VESSEL TO BE FABRICATED TO THE LATEST EDITION OF ASME SECTION VIII, DIVISION 1 PRESSURE VESSELS.
- WELDED PIPING TO BE: SA-106B SMLS PIPE, SPEC '600# ANSI', 2" @ SCH.80, 3" @ SCH.80
- THREADED PIPING TO BE: SA-106B SMLS, 2"-SCH.80 (min.)
- ALL WELDED FITTINGS TO BE SA-234-WPB c/w SA-105N FLANGES
- ALL FORGED STEEL FITTINGS TO BE: SA-105N, 3000# (min.) RATING
- TUBING DETAILS: 3/8" S.S. TUBING c/w CADMIUM PLATED PARKER FITTINGS AND S.S. FERRULES
- PAINTING: PACKAGE TO BE CLEANED TO (SSPC-SP-3)
1st COAT PRIMER: DEVCO FAST DRY PRIMER
FINISH COAT: DEVCO GREY ENAMEL
SKID FLOOR: ONE (1) COAT OF DEVCO GREY ENAMEL
- V-110 TO BE 2" INSULATION AND ALUMINUM WRAP ABOVE BUILDING ROOF
- REMOVE ALL FLOATS/DISPLACERS FROM ALL LEVEL CONTROLLERS/SWITCHES; TAG AND CRATE FOR SHIPMENT
- PROTECT ALL OPENINGS FOR SHIPMENT
- BOLTING TO BE SA-193-B7M STUDS WITH SA-194-2HM NUTS c/w 316 S.S. FLEXITALLIC GASKETS
- BUILDING: SIZE: 13'-0" LG x 8'-0" WIDE
ROOF TYPE: SHED 13'-0" WALL HEIGHTS: 12'-6" LOW EAVE
EXTERIOR: 22 GAUGE GALVALUME (WHITE), SELF FRAMER
INTERIOR: 24 GAUGE FLUTED ALUMINUM (WHITE), R-12 INSULATION IN ROOF AND WALLS,
DOORS: ONE (1) 6'-0"x7'-0" DOUBLE MAN DOOR WITH PANIC HARDWARE, CHECK CHAIN, WEATHER-STRIP, IWG WINDOW
WINDOWS: ONE - STD. SIZE
VENTILATION: TWO (2) 12" Sq. STAMPED ALUMINUM LOUVERS c/w SLIDERS
ELECTRIC FAN: 12" VENTURI EXPLOSION PROOF EXHAUST FAN, 120V, 1PH, 60HZ, C/W HOOD
- BUTTWELDED PIPING IN STD. SERVICE TO BE X-RAYED 10% TO ASME B31.3 AND HYDROTEST 600# ANSI PIPING TO 2160 PSIG (MINIMUM 1 HOUR) AT ROOM TEMP
- BUTTWELDED PIPING IN SOUR SERVICE TO BE X-RAYED 100% TO ASME B31.3 AND HYDROTEST 600# ANSI PIPING TO 2160 PSIG (MINIMUM 1 HOUR) AT ROOM TEMP
- BUTTWELDED PIPING IN SOUR SERVICE TO BE P.W.H.T. (85 MIN @ 1150°C)

VALVE LEGEND

END CONNECTION	VALVE SERVICE
FLANGED RF=1	NORMAL TEMP, SWEET PROCESS=1
FLANGED RTJ=2	NORMAL TEMP, SOUR PROCESS=1S
BUTTWELDED=3	LOW TEMP, SWEET PROCESS=2
THREADED=4	LOW TEMP, SOUR PROCESS=2S
SOCKET WELDED=5	
SW/SCRIB=6	
TUBING=7	

VALVE SIZE	ANSI CLASS	THREADED/SOCKET WELDED CLASS
150#-A	API 602	WDG
300#-B	CLASS 800-H	1000 WDG=L
400#-C	CLASS 1500-J	2000 WDG=M
600#-D	CLASS 2500-K	3600 WDG=N
900#-E		6000 WDG=P
1500#-F		10000 WDG=Q
2500#-G		TUBING RATING=R
		250 WDG=S

NO.	REVISIONS	DWN	APPR	DATE
2	ADDED A ELECTRIC FAN TO THE BUILDING			02/05/16
1	REVISED PER CLIENT REQUEST			02/05/12
0	ISSUED FOR APPROVAL			02/05/10

PRIDE



ENERGY MANUFACTURING LTD.

DATE	CLIENT		
02/05/10	KEYWEST PETROLEUM		
DESIGNED BY	TITLE		
S. LO	H2S SWEETNER PACKAGE		
DRAWN BY	CHECKED BY		
S. LO			
APPROVED BY	PROJECT NO.	JOB #	REFERENCE NO.
		02-061	
SCALE	SHEET NO.	DRAWING NO.	REV. NO.
N.T.S.	1 OF 1	02-061-F-01	