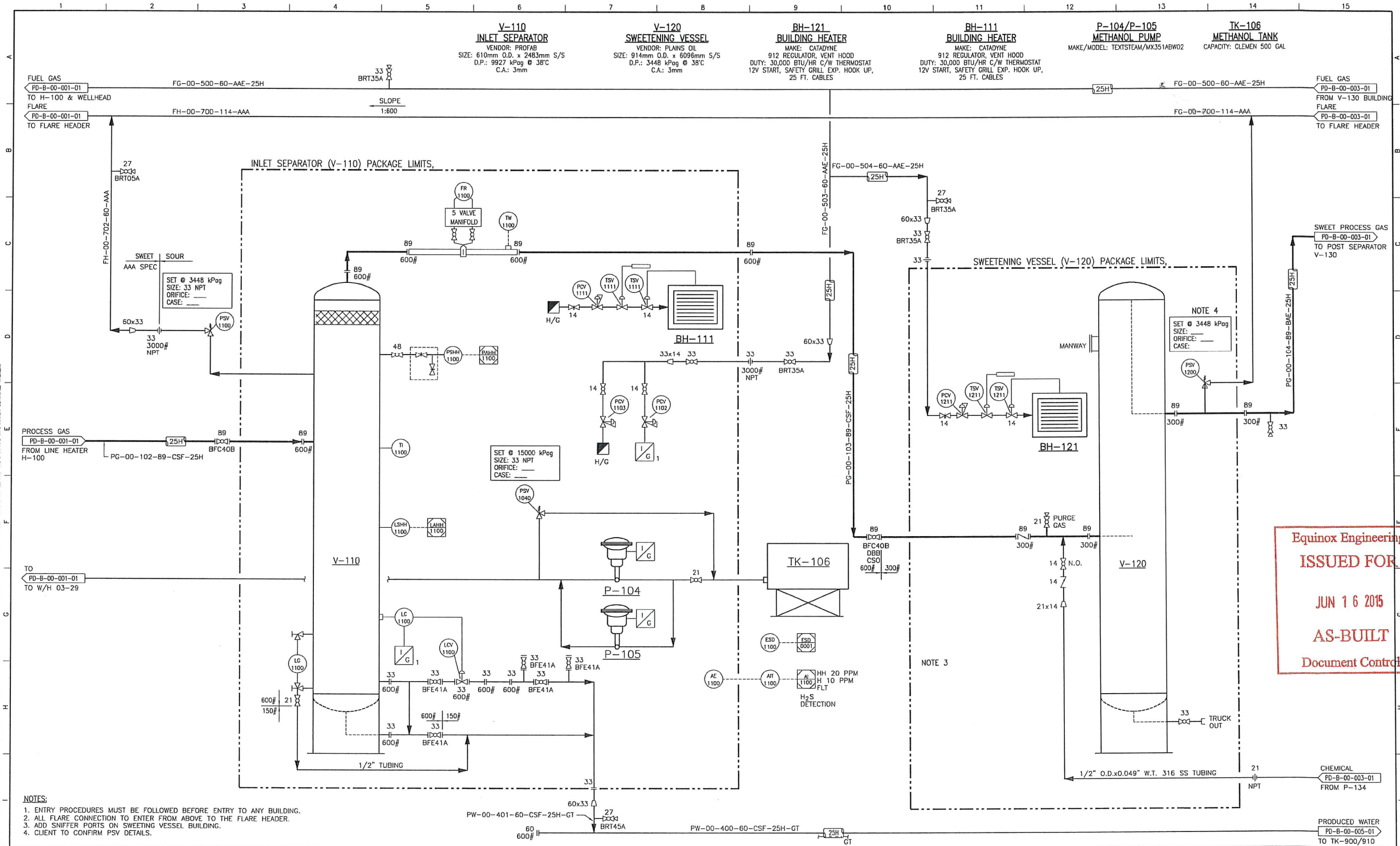


THIS DRAWING IS THE PROPERTY OF HARVEST OPERATIONS CORP. AND IS NOT TO BE REPRODUCED, COPIED, IMITATED, REVISED, ALTERED, CHANGED, MODIFIED, ADDED, DELETED, OR IN ANY MANNER. ANY REVISIONS TO THIS DRAWING MUST BE APPROVED BY THE ORIGINAL DESIGNER. THE USER OF THIS DRAWING SHALL BE RESPONSIBLE FOR THE USE OF THIS DRAWING IN ACCORDANCE WITH THE DESIGN DATA AND THE DATA AND INFORMATION CONTAINED THEREIN.

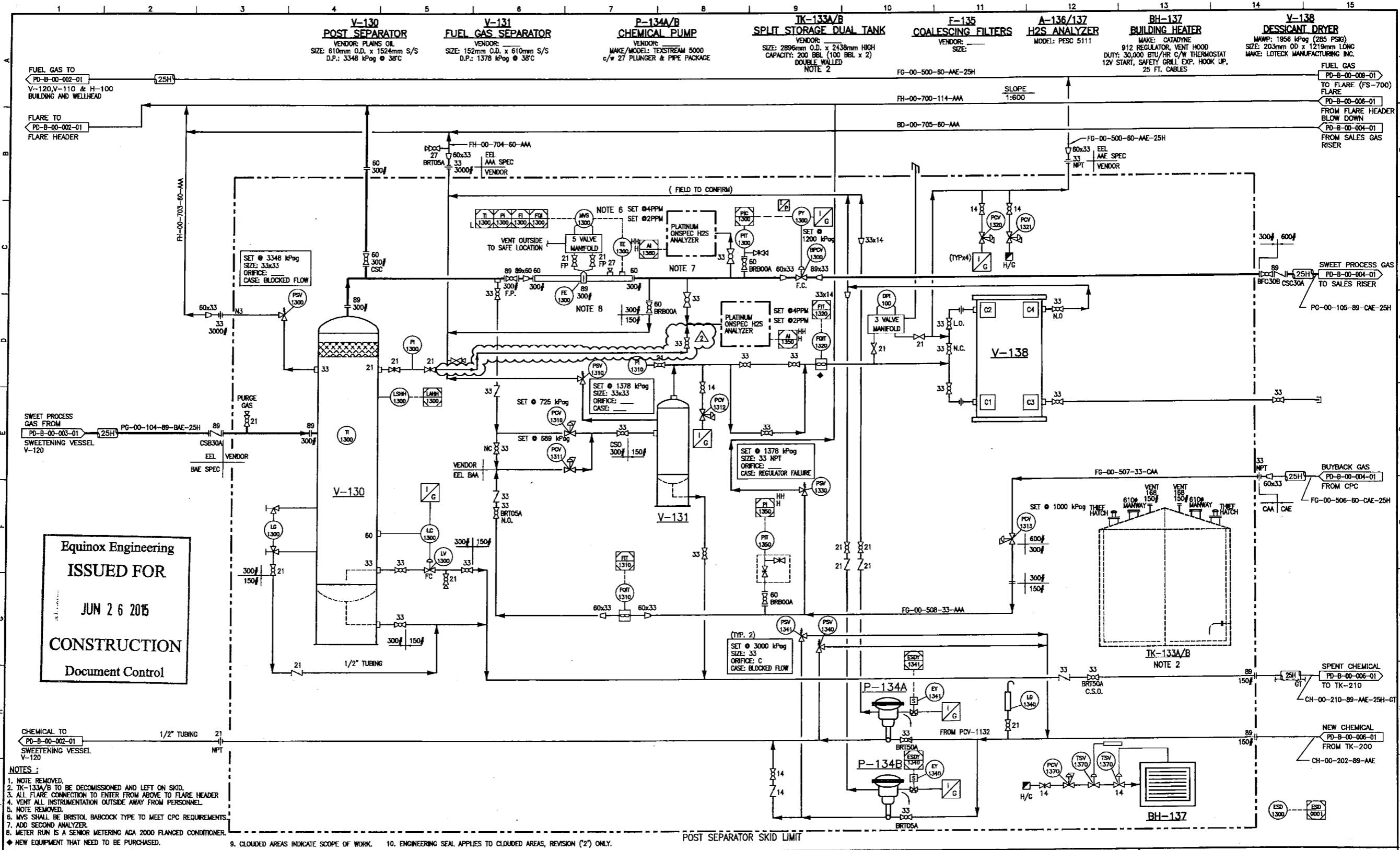


- NOTES:**
1. ENTRY PROCEDURES MUST BE FOLLOWED BEFORE ENTRY TO ANY BUILDING.
 2. ALL FLARE CONNECTION TO ENTER FROM ABOVE TO THE FLARE HEADER.
 3. ADD SNIFFER PORTS ON SWEETENING VESSEL BUILDING.
 4. CLIENT TO CONFIRM PSV DETAILS.

Equinox Engineering
 ISSUED FOR
 JUN 16 2015
 AS-BUILT
 Document Control

REFERENCE DRAWINGS		REVISIONS				SEAL	PERMIT	<div style="display: flex; justify-content: space-between; align-items: center;"> <div style="text-align: center;"> <p>Harvest OPERATIONS CORP.</p> </div> <div style="text-align: center;"> <p>EQUINOX. Engineering Ltd</p> </div> </div>				
DRAWING NO.	DRAWING DESCRIPTION	REV	DATE	BY	CHK'D							
		0	2014/10/02	DJR				ISSUED FOR CONSTRUCTION				
		1	2015/05/25	AAK	PK	PK		AS BUILT PER FIELD MARKUPS				

SCALE	DRAWN BY	DATE	CLIENT	REGION	PROJECT	DRAWING NO.	REV
N.T.S.	SAS	2013/05/16	195	02	00	PD-B-00-002-01	1

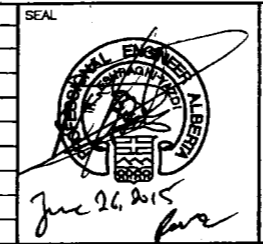


Equinox Engineering
ISSUED FOR
 JUN 26 2015
CONSTRUCTION
 Document Control

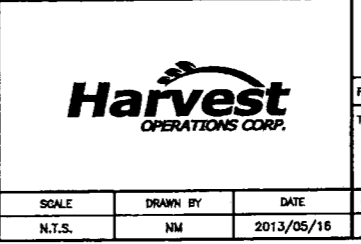
- NOTES:**
- NOTE REMOVED.
 - TK-133A/B TO BE DECOMMISSIONED AND LEFT ON SKID.
 - ALL FLARE CONNECTION TO ENTER FROM ABOVE TO FLARE HEADER.
 - VENT ALL INSTRUMENTATION OUTSIDE AWAY FROM PERSONNEL.
 - NOTE REMOVED.
 - MVS SHALL BE BRISTOL BABCOCK TYPE TO MEET CPC REQUIREMENTS.
 - ADD SECOND ANALYZER.
 - METER RUN IS A SENIOR METERING AGA 2000 FLANGED CONDITIONER.
 - NEW EQUIPMENT THAT NEED TO BE PURCHASED.

9. CLOUDED AREAS INDICATE SCOPE OF WORK. 10. ENGINEERING SEAL APPLIES TO CLOUDED AREAS, REVISION ('2') ONLY.

REFERENCE DRAWINGS		REV		DATE		BY		CHK'D		APP'D		REVISIONS	
DRAWING NO.	DRAWING DESCRIPTION							ENG	DRG	PM			REVISION DESCRIPTION
		0		2014/10/02		DIR							ISSUED FOR CONSTRUCTION
		1		2015/05/25		AKK							AS BUILT PER FIELD MARKUPS
		2		2015/06/26		DIR							ISSUED FOR CONSTRUCTION



PERMIT TO PRACTICE
 EQUINOX ENGINEERING CANADA LTD.
PERMIT NUMBER: P 12626
 The Association of Professional Engineers,
 Geologists and Geophysicists of Alberta



EQUINOX Engineering Ltd.		PROJECT: HARVEST MAJORVILLE 03-29 WELL TIE-IN	
TITLE: LSD 03-29-018-19 W4M POST SEPARATOR (V-130) AREA PIPING & INSTRUMENTATION DIAGRAM		DRAWING NO. PD-B-00-003-01	
SCALE: N.T.S.	DRAWN BY: NM	DATE: 2013/05/16	REV: 2

THE INFORMATION AND DATA CONTAINED IN THIS ELECTRONIC DRAWING FILE ARE CONFIDENTIAL, PROPRIETARY IN NATURE AND SUBJECT TO COPYRIGHT. ANY REPRODUCTION, COPIES, ALTERS, REVERSE ENGINEERING, OR USE OF THIS INFORMATION IN ANY MANNER WITHOUT THE WRITTEN PERMISSION OF EQUINOX ENGINEERING CANADA LTD. IS STRICTLY PROHIBITED. EQUINOX ENGINEERING CANADA LTD. SHALL NOT BE RESPONSIBLE FOR ANY DAMAGE OR LIABILITY ARISING FROM THE USE OF THIS INFORMATION.