

# **ENERFLEX**

*Enerflex Systems Ltd., Compression*

MANUFACTURED FOR  
STOCK

3500 SERIES PORTABLE COMPRESSOR  
UNIT # 35284

## **STETTLER**

5221 46 Street, Stettler AB

Tel 1 (403) 742 5538

Fax 1 (403) 742 5539

Toll Free 1-888 742 5550

Website: [www.enerflex.com](http://www.enerflex.com)

## **CALGARY**

4700 47 Street SE Calgary AB

Tel 1 (403) 720 4393

Fax 1 (403) 720 3716

Toll Free 1 800 242 3178

STFCD-A0469

Rev. 1

**V-110**  
**SUCTION SCRUBBER**  
 Manufacturer: ENERFLEX COMPRESSION-CALGARY  
 Size: 323.8mmφ x 1.270mm S/S  
 (12" x 50" S/S)  
 Relief: 285psi @ 150°F  
 CRN: R0348.213  
 Serial: 030314-14  
 (A) 497318

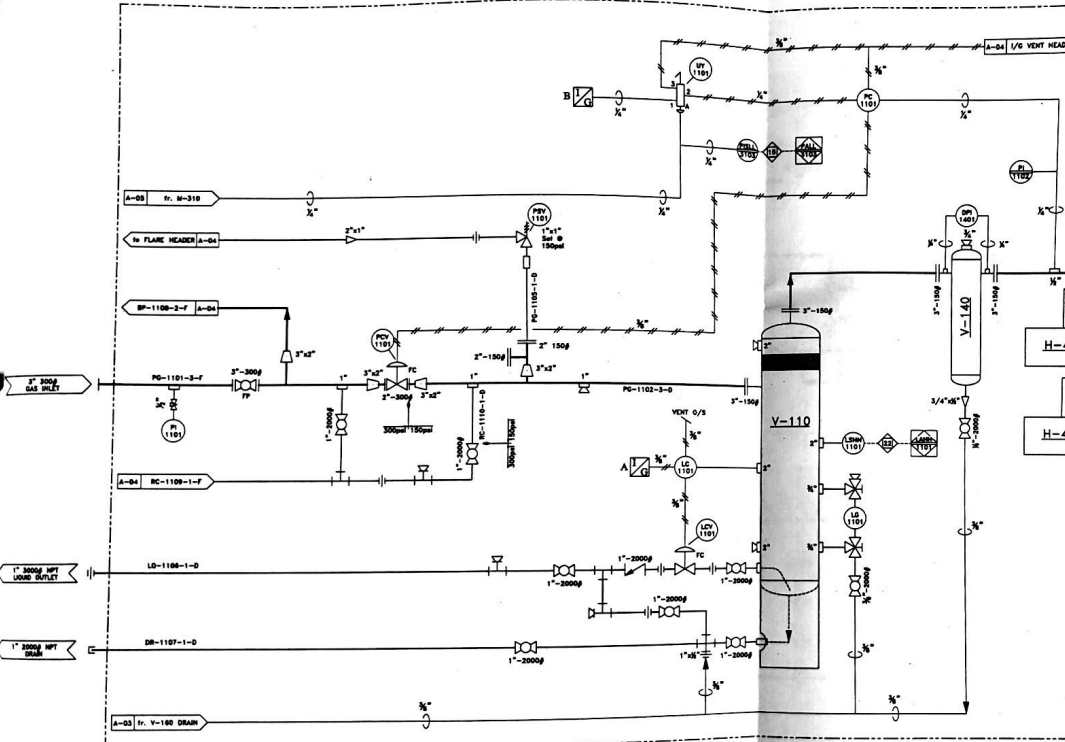
**V-140**  
**INLET GAS FILTER**  
 Manufacturer: NAFCO  
 Model: 41030-MOBD  
 Type: PARTICULATE  
 Relief: 180psi @ 450°F  
 CRN: L7900.2  
 Serial: 542-UM

**H-410**  
**NATURAL GAS HEATER**  
 Manufacturer: CIS-CAN  
 Size: 305mm x 610mm  
 (12" x 24")  
 12,000 Btu/hr  
 12 Volt Start  
 Protection Grill  
 Serial: 224824

**H-420**  
**NATURAL GAS HEATER**  
 Manufacturer: CIS-CAN  
 Size: 305mm x 610mm  
 (12" x 24")  
 12,000 Btu/hr  
 12 Volt Start  
 Protection Grill  
 Serial: 224832

MATERIAL LIST

ITEM	DESCRIPTION	MAKE	MODEL
PSV-1101	PRESSURE SAFETY VALVE, 1"x1"NPT, SET @ 150psi	MERCER	B11751V09L
HS-1101	EMERGENCY SHUTDOWN HAND SWITCH	TELEMECANIQUE	FXAL B174H2
LSHH-1101	LEVEL SHUTDOWN HIGH	MURPHY	LT200
UY-1101	PRESSURE SWITCH, 3 WAY VALVE	AMOT	4057D025M2
PC-1101	PRESSURE CONTROLLER, @ 0-100 psi S.R.	FISHER	4150KR
PCV-1101	PRESSURE CONTROL VALVE - FC, 2" 300# VEE-BALL	FISHER	P052-V200
LC-1101	LEVEL CONTROLLER	FISHER	L2 SNAP
LCV-1101	LEVEL CONTROL VALVE, 1/2" PORT, FC	FISHER	D2 FLO PRO
LG-1101	LEVEL GAUGE - 5/8" REDLINE, c/w GAUGE VALVES	PENBERTHY	N7B
PI-1101	PRESSURE INDICATOR 1/2" BM x 4" FACE, 0-400psi/0-2800kPa, SSSL	WIKA	5025S400
PI-1102	PRESSURE INDICATOR 1/2" BM x 4" FACE, 0-30"HG/0-100psi, SSSL	WIKA	7304367
PISLL-3103	PRESSURE INDICATING SWITCH/GAUGE, 2 1/2" FACE, 0-100psi/0-7000kPa	MURPHY	A25PEF-100
DPI-1401	DIFFERENTIAL PRESSURE INDICATOR, 0-50in W.C., SSSL	MID-WEST	141AA-00-00
PCV-4101	PRESSURE CONTROL VALVE, SET @ 1/2 psi	FISHER	B12/115
PCV-4201	PRESSURE CONTROL VALVE, SET @ 1/2 psi	FISHER	B12/115
ESDV-4101	EMERGENCY SHUTDOWN VALVE, c/w HEATER	MAXITROL	ES404
ESDV-4201	EMERGENCY SHUTDOWN VALVE, c/w HEATER	MAXITROL	ES404
TSDV-4101	TEMPERATURE SHUTDOWN VALVE	BASO	H17C05
TSDV-4201	TEMPERATURE SHUTDOWN VALVE	BASO	H17C05



LINE TYPE LEGEND

—	PROCESS TUBING / INSTRUMENT SUPPLY
—	MAIN PROCESS GAS
—	SECONDARY PROCESS
—	UTILITY PROCESS
—	PNEUMATIC SIGNAL
—	HYDRAULIC SIGNAL
—	ELECTRIC SIGNAL

REV	DESCRIPTION	BY	DATE	CHKD	APPD
1	AS BUILT	JMB	03-08-03		
2	ISSUED FOR CONSTRUCTION	DOC	03-07-04		

**ENERFLEX**  
 COMPRESSION - STETTLER

5211-48th St.  
 Box 1450, Stettler, Alberta  
 T0C 2L0  
 Phone: 403.742.5538  
 Fax: 403.742.5538

4700-47th St. SE  
 Calgary, Alberta  
 T2B 3P1  
 Phone: 403.236.8800  
 Fax: 403.279.0367

**T3500 SERIES COMPRESSOR**  
 G.D. SSH w/ 3304 NA ENGINE  
 TRAILER MOUNTED, SOUR SERVICE

COMPANY: ENERFLEX STOCK JOB NO.: 35284  
 Drawn by: MEW Date: 03-05-05 N.T.S. Scale: 1"=10'-0" Rev: 1

**S-210**  
**SCREW COMPRESSOR**  
 Manufacturer: GARDNER DENVER  
 Model: S31G 93B  
 BELL HOUSING MOUNTED  
 Max. of 50psd Suction  
 Max. of 300psd Discharge  
 Flared VI  
 Serial: 5151938

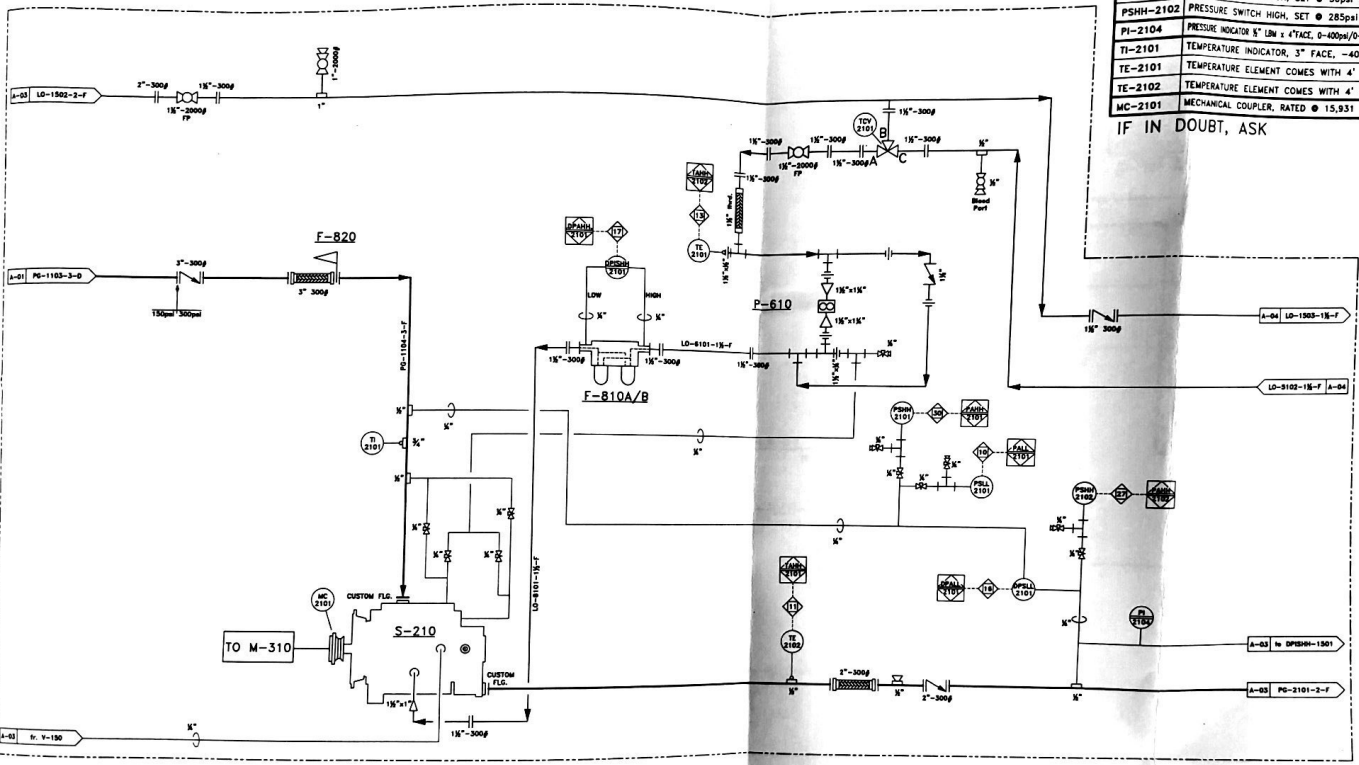
**P-610**  
**LUBE OIL PUMP**  
 C/W GARDNER DENVER SSH SCREW

**F-810A/B**  
**OIL FILTERS**  
 Manufacturer: DONALDSON  
 Model: HMK25  
 MSP: 600psid @ 250°F  
 Part: P169984  
 Filter: P165569

**F-820**  
**CONICAL STRAINER**  
 Manufacturer: ALBERTA STRAINER  
 Model: 3" - 800  
 Type: STAINLESS STEEL  
 40 MESH  
 150X OPEN AREA

MATERIAL LIST			
ITEM	DESCRIPTION	MAKE	MODEL
TCV-2101	THERMOSTATIC CONTROL VALVE, 300psd, SET @ 170°F	AMOT	1½BHCT170C
DPSLL-2101	DIFFERENTIAL PRESSURE SWITCH, SET @ 10psd FALLING	CCS	604D22
DPISHH-2101	DIFFERENTIAL PRESSURE INDICATOR, 0-50psd	MIDWEST	120-A-00-0(CA)
PSLL-2101	PRESSURE SWITCH LOW, SET @ 0psd Dnc.	SOR	564G-LF318 M4-C1A-NC
PSHH-2101	PRESSURE SWITCH HIGH, SET @ 50psd Inc.	CCS	6900GZE18
PSHH-2102	PRESSURE SWITCH HIGH, SET @ 285psd Inc.	CCS	6900GZE18
PI-2104	PRESSURE INDICATOR ½" LBN x 4" FACE, 0-400psd/0-2800psd, SSU	WIKA	9540525
TI-2101	TEMPERATURE INDICATOR, 3" FACE, -40 TO 160°F	TREND	-40/1604
TE-2101	TEMPERATURE ELEMENT COMES WITH 4' PYROLEAD	ALTRONIC	151000157
TE-2102	TEMPERATURE ELEMENT COMES WITH 4' PYROLEAD	ALTRONIC	151000157
MC-2101	MECHANICAL COUPLER, RATED @ 15,931 In.lb.torque	ARCUSAFLEX	AC-1785NN 2115221

IF IN DOUBT, ASK



LINE TYPE LEGEND	
	PROCESS TUBING/ INSTRUMENT SUPPLY
	MAIN PROCESS GAS
	PNEUMATIC SIGNAL
	HYDRAULIC SIGNAL
	ELECTRIC SIGNAL

REV.	DESCRIPTION	BY	DATE	CHKD	APPD
1	AS BUILT	JMB	03-08-89		
2	ISSUED FOR CONSTRUCTION	SMC	03-07-92		

**ENERFLEX**  
 COMPRESSION - STETTNER  
 3221-48th St.  
 Box 1450, Stettler, Alberta T2B 3R1  
 Phone: 403.742.8538 Fax: 403.742.8538  
 4700-47th St. SE  
 Calgary, Alberta T2B 3R1  
 Phone: 403.236.8890 Fax: 403.278.0387

**T3500 SERIES COMPRESSOR**  
 G.D. SSH w/ 3304 NA ENGINE  
 TRAILER MOUNTED, SOUR SERVICE

COMPANY: ENERFLEX STOCK JOB NO.: 35284  
 DRAWN BY: NEW  
 CHECKED BY: [Signature]  
 DATE: 03-03-03 SCALE: N.T.S. DRAWING NO.: CDL-35284-A-02 REV.: 1

**V-150 OIL COALESCING SEPARATOR**

Manufacturer: ENERFLEX COMPRESSION-CALGARY  
 Size: 508mmφ x 940mm S/S  
 (20" x 37" S/S)  
 Rated: 350psi @ 250°F  
 CRN: PFS56.213  
 1/8" CA  
 Serial: 030513-18  
 (A)497332

**V-170 FUEL GAS SCRUBBER**

Manufacturer: ENERFLEX COMPRESSION-CALGARY  
 Size: 114.3mmφ x 914mm S/S  
 (4" x 36" S/S)  
 Rated: 500psi @ 350°F  
 CRN: OH5132.231  
 1/8" CA  
 Serial: 4DP-518

**V-170 FLOAT CHAMBER**

Manufacturer: LDTECH  
 Size: 114.3mmφ x 152mm S/S  
 (4" x 6" S/S)  
 Rated: 200psi @ 500°F  
 CRN: OH4715.231  
 Serial: 4720.191

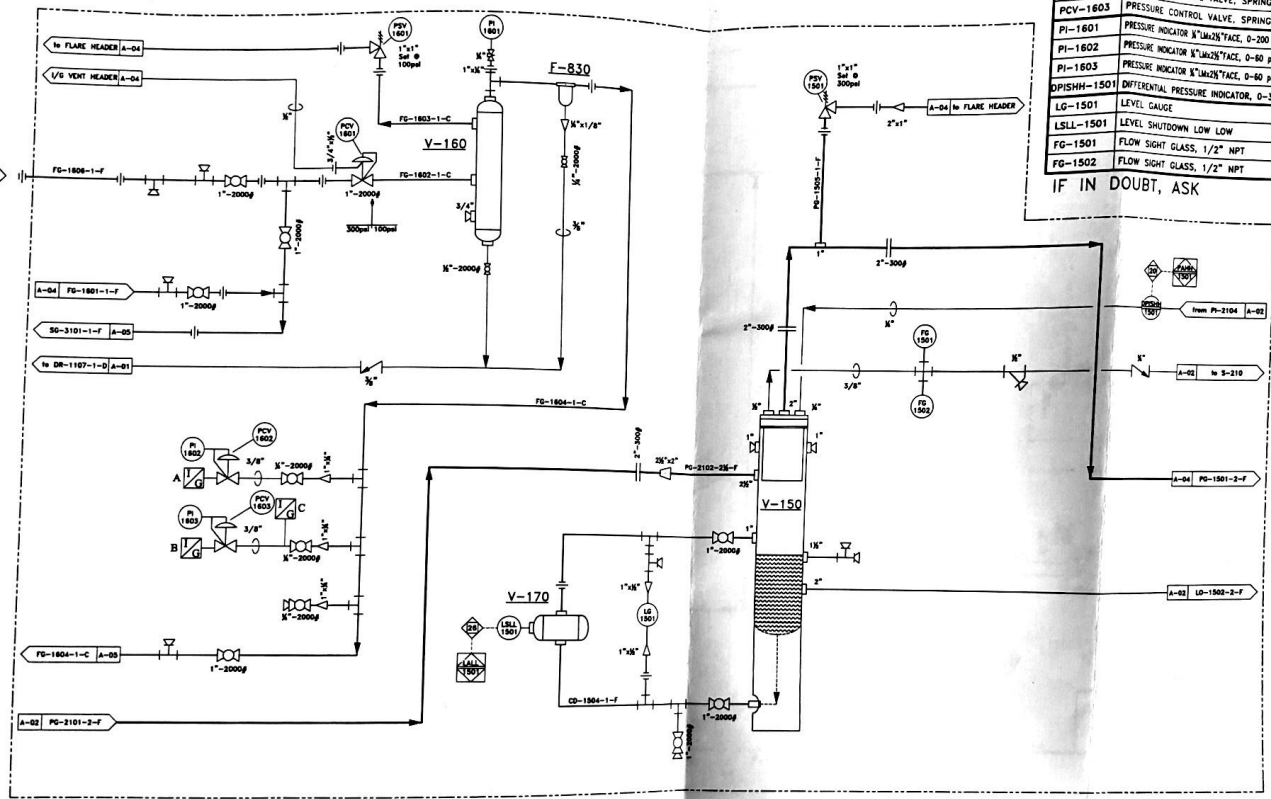
**F-830 FUEL GAS FILTER**

Manufacturer: PARKER FILTRATION  
 Part: HN4S-6CG  
 Element: BC15-060  
 Rated: 500psi @ 175°F  
 CRN: OE5834.2

**MATERIAL LIST**

ITEM	DESCRIPTION	MAKE	MODEL
PSV-1501	PRESSURE SAFETY VALVE, 1"x1" NPT, SET @ 300psi	MERCER	8117151V101
PSV-1601	PRESSURE SAFETY VALVE, 1"x1" NPT, SET @ 100 psi	MERCER	8117051V06E
PCV-1601	PRESSURE CONTROL VALVE, SPRING RANGE 70-150psi, 3/16" PORT	FISHER	627-547
PCV-1602	PRESSURE CONTROL VALVE, SPRING RANGE 0-35psi	FISHER	67CFR-362
PI-1601	PRESSURE INDICATOR 1/2" UNIFACE, 0-200 psi/1400 kPa, SSJ	WIKA	104SS200
PI-1602	PRESSURE INDICATOR 1/2" UNIFACE, 0-60 psi/0-420 kPa, SSJ	WIKA	104SS60
PI-1603	PRESSURE INDICATOR 1/2" UNIFACE, 0-60 psi/0-420 kPa, SSJ	WIKA	104SS60
DPISHH-1501	DIFFERENTIAL PRESSURE INDICATOR, 0-30psi, SSJ	MID-WEST	120-AA-00-2(CA)
LG-1501	LEVEL GAUGE	PENBERTHY	1RM-75TLNE
LSLL-1501	LEVEL SHUTDOWN LOW LOW	MURPHY	L1200
FG-1501	FLOW SIGHT GLASS, 1/2" NPT	AC&R	SG-04
FG-1502	FLOW SIGHT GLASS, 1/2" NPT	AC&R	SG-04

IF IN DOUBT, ASK



**LINE TYPE LEGEND**

—	PROCESS TUBING/ INSTRUMENT SUPPLY
—	MAIN PROCESS GAS
—	SECONDARY PROCESS
—	UTILITY PROCESS
—	PNEUMATIC SIGNAL
—	HYDRAULIC SIGNAL
—	ELECTRIC SIGNAL

REV.	DESCRIPTION	DATE	CHKD.	APPD.
1	AS BUILT	JRB 03-08-23		
2	ISSUED FOR CONSTRUCTION	BYC 03-07-24		

**ENERFLEX**  
 COMPRESSION - STETTLER

Box 1450, Stettler Alberta T0C 2L0  
 Phone: 403.742.3538 Fax: 403.742.3538

4700-47th St, SE Calgary Alberta T2B 3R1  
 Phone: 403.238.6800 Fax: 403.278.0367

**T3500 SERIES COMPRESSOR**  
 G.D. SSH w/ 3304 NA ENGINE  
 TRAILER MOUNTED, SOUR SERVICE

COMPANY: ENERFLEX STOCK JOB NO.: 35284

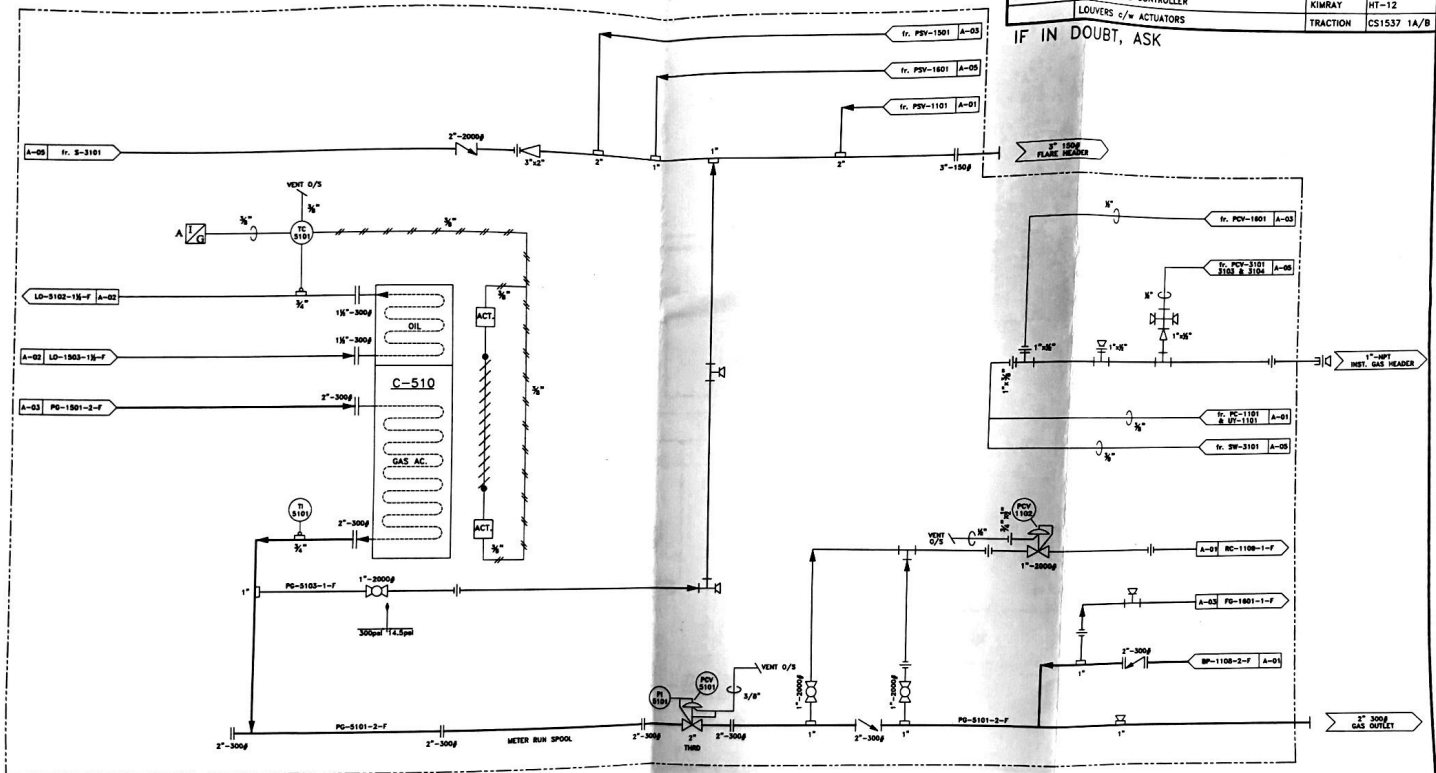
Drawn by: MEW Checked by: [Signature] Approved by: [Signature] DATE: 03-05-05 SCALE: DRAWING NO.: CDL-35284-A-03 REV.: 1

**OIL/GAS AFTER COOLER**

Manufacture: API AIR TECH  
 Size: 34.875"x41.25"x5.5"  
 Model: GHTA-1600  
 Rated: 350psi @ 250°F  
 Aluminum Header  
 Aluminum Tubes  
 CRN: 0H4584.213  
 Serial: J16181

ITEM	DESCRIPTION	MAKE	MODEL
PCV-1102	PRESSURE CONTROL VALVE SET @ 5-20 psi, 1/2" PORT	FISHER	627-556
PCV-5101	BACK PRESSURE CONTROL VALVE	KIMRAY	2305GTBP-D
PI-5101	PRESSURE INDICATOR 1" W x 2 1/2" FACE, 0-300psi/0-2100kPa, SSIF	WIKA	1045S300
TI-5101	TEMPERATURE INDICATOR 3" FACE, -40 TO 160 °F	TREND	-40/1604
TC-5101	TEMPERATURE CONTROLLER	KIMRAY	HT-12
	LOUVERS c/w ACTUATORS	TRACTION	CS1537 1A/B

IF IN DOUBT, ASK



LINE TYPE LEGEND	PROCESS TUBING/ INSTRUMENT SUPPLY
—	—
---	---
---	---
---	---

REV.	DESCRIPTION	BY	DATE	CHKD.	APPD.
AS BUILT					
ISSUED FOR CONSTRUCTION					

**ENERFLEX**  
 COMPRESSION - STETTLER

5221-48th St. SE  
 Box 1450, Shellbrook, SK S0C 2L0  
 Phone: 403.742.5336 Fax: 403.742.5339

4700-47th St. SE  
 Calgary, Alberta T2B 3R1  
 Phone: 403.236.6800 Fax: 403.278.0367

**T3500 SERIES COMPRESSOR**  
 G.D. SSH w/ 3304 NA ENGINE  
 TRAILER MOUNTED, SOUR SERVICE

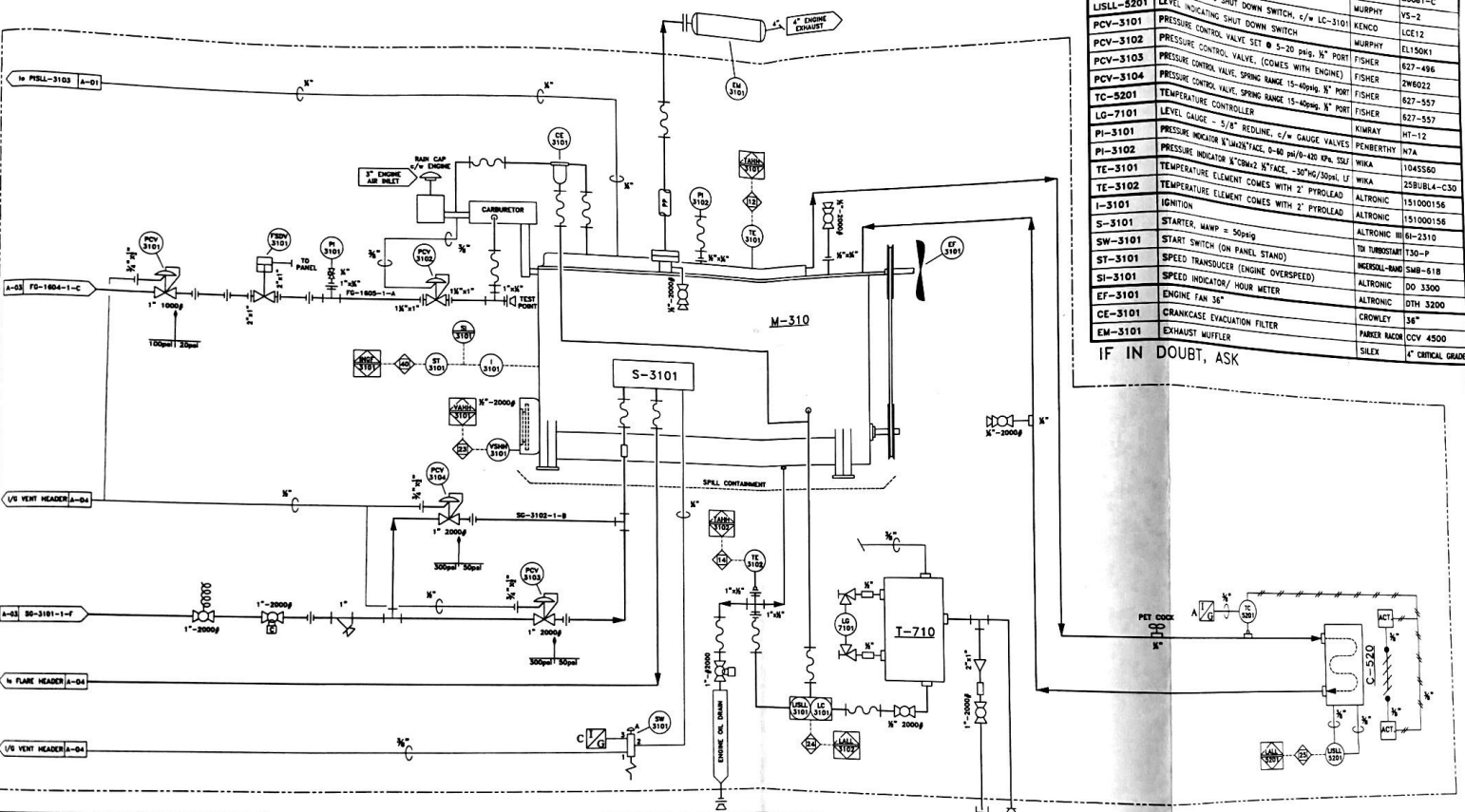
COMPANY: ENERFLEX STOCK

Drawn by: MEW Checked by: [Signature] DATE: 03-05-05 SCALE: N.T.S. DRAWING NO.: CDL-35284-A-04 REV.: 1

**M-310**  
**NATURAL GAS ENGINE**  
 Manufacturer: CATERPILLAR  
 Model: 3304NA  
 95hp / 80hp USABLE  
 Naturally Aspirated 4 Cylinder  
 Serial: N4F00464

**C-520**  
**ENGINE WATER JACKET**  
 Manufacturer: GLOBAL HEAT TRANSFER  
 Size: 35" x 24" x 20"  
 Model: GHT-7400  
 Serial: 248

**T-710**  
**ENGINE OIL DAY TANK**  
 Manufacturer: ENERFLEX COMPRESSION-STETTLER  
 Size: 20gal  
 Part: 05-37



MATERIAL LIST			
ITEM	DESCRIPTION	MAKE	MODEL
FSDV-3101	FUEL SHUT DOWN VALVE		
VSHM-3101	VIBRATION SWITCH HIGH	MURPHY	MS081-C
LISLL-3101	LEVEL INDICATING SHUT DOWN SWITCH, C/W LC-3101	MURPHY	YS-2
LISLL-5201	LEVEL INDICATING SHUT DOWN SWITCH, C/W LC-3101	KENCO	LEE12
PCV-3101	PRESSURE CONTROL VALVE SET @ 5-20 PSIG, N" PORT	MURPHY	EL150K1
PCV-3102	PRESSURE CONTROL VALVE, (COMES WITH ENGINE)	FISHER	627-496
PCV-3103	PRESSURE CONTROL VALVE, SPRING RANGE 15-40PSIG, N" PORT	FISHER	2W6022
PCV-3104	PRESSURE CONTROL VALVE, SPRING RANGE 15-40PSIG, N" PORT	FISHER	627-557
TC-5201	TEMPERATURE CONTROLLER	FISHER	627-557
LQ-7101	LEVEL GAUGE - 5/8" REDLINE, C/W GAUGE VALVES	KIMRAY	HT-12
PI-3101	PRESSURE INDICATOR N"X2"FACE, 0-80 PSI/0-420 KPA, SS/L	WIKA	1045560
PI-3102	PRESSURE INDICATOR N"X2"FACE, 0-80 PSI/0-420 KPA, SS/L	WIKA	25RUB4-C30
TE-3101	TEMPERATURE ELEMENT COMES WITH 2" PYROLEAD	ALTRONIC	151000156
TE-3102	TEMPERATURE ELEMENT COMES WITH 2" PYROLEAD	ALTRONIC	151000156
I-3101	IGNITION	ALTRONIC III	6I-2310
S-3101	STARTER, MANP = 50PSIG	TO TURBOSTART	130-P
SW-3101	START SWITCH (ON PANEL STAND)	MERROL-RAND	SMB-618
SI-3101	SPEED TRANSDUCER (ENGINE OVERSPEED)	ALTRONIC	07H 3200
SI-3101	SPEED INDICATOR / HOUR METER	ALTRONIC	07H 3200
EF-3101	ENGINE FAN 36"	CROWLEY	36"
CE-3101	CRANKCASE EVALUATION FILTER	PUMPER MOTOR	CCY 4500
EM-3101	EXHAUST MUFFLER	SILEX	1" CRITICAL GRADE

IF IN DOUBT, ASK

LINE TYPE LEGEND	PROCESS TUBING / INSTRUMENT SUPPLY
—	—
—	—
—	—
—	—

REV.	DESCRIPTION	BY	DATE	CHKD	APPD
1	AS BUILT	JRB	03-08-29		
2	ISSUED FOR CONSTRUCTION	SOC	03-07-24		

**ENERFLEX**  
 COMPRESSION - STETTLER  
 5221-48th St.  
 Box 1450, Sherbrooke, Alberta  
 T0C 2L0  
 Phone: 403.742.5538  
 Fax: 403.742.5539

**T3500 SERIES COMPRESSOR**  
 G.D. SSH w/ 3304 NA ENGINE  
 TRAILER MOUNTED, SOUR SERVICE  
 COMPAN: ENERFLEX STOCK  
 JOB NO: 35284  
 SCALE: DRAWING NO. N.T.S. COL-35284-A-05  
 DATE: 03-05-05  
 DRAWN BY: MEW  
 CHECKED BY: [Signature]