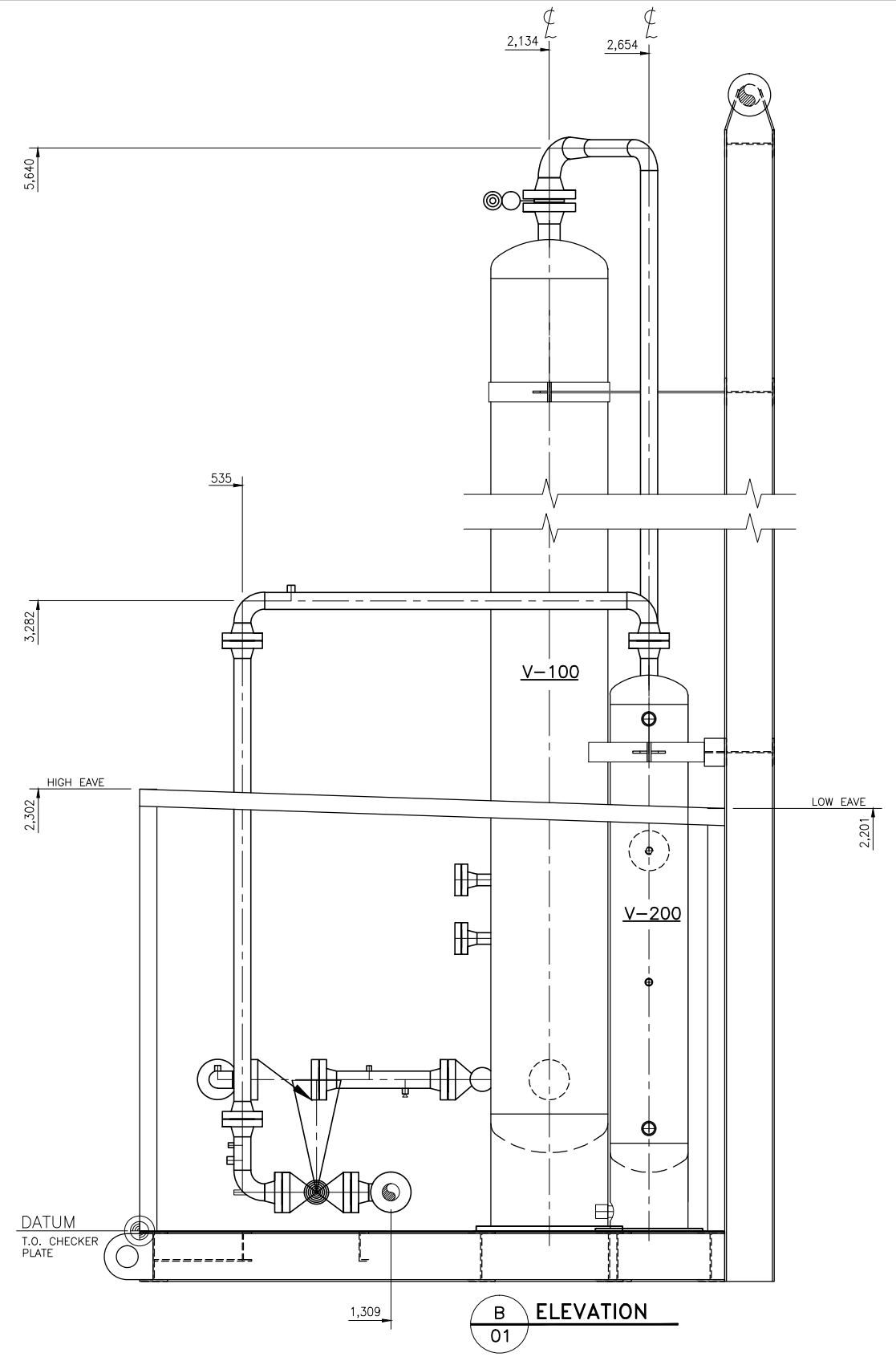
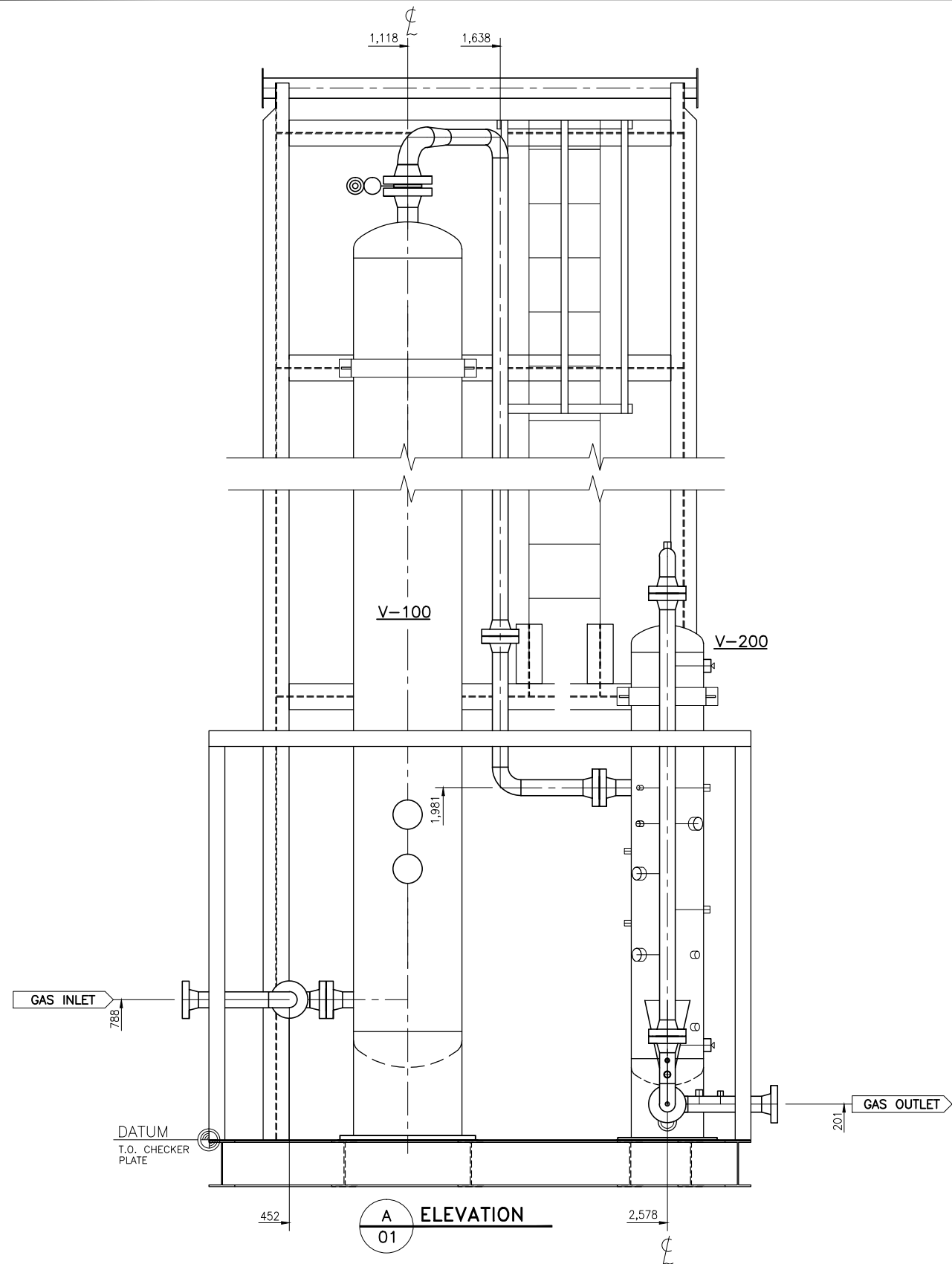


The information contained in this drawing is the confidential property of Platinum Energy Services Corp. No part thereof shall be reproduced or communicated to a third party without written authorization from Platinum Energy Services Corp.



REFERENCE DWG. NO.	REFERENCE DWG. DESCRIPTION	REV.	REVISION DESCRIPTION	DATE	BY	CHK'D	APP'D	ENGINEER AND APPROVAL STAMPS	DESIGNED PLF 04-05-03	STOCK			
D-STKSWEET-PID-01	PROCESS & INSTRUMENTATION DIAGRAM								DRAWN PLF 04-05-03				
D-STKSWEET-GA-01	PIPING PLAN								CHECKED JP				
D-STKSWEET-SKD-01	SKID PLAN								APPROVED				
D-STKSWEET-SKD-02	SKID ELEVATION									ELEVATION VIEWS			
D-STKSWEET-SKD-03	SKID ELEVATION	0	ISSUED FOR CONSTRUCTION		PLF	JP				SEPARATOR / SWEETENING SKID LAYOUT			
		A	ISSUED FOR APPROVAL		PLF	JP				LSD.			
									PLATINUM Energy Services Corp.	JOB NO	SCALE 1:15	DWG. NO. D-STKSWEET-GA-02	REV. 0