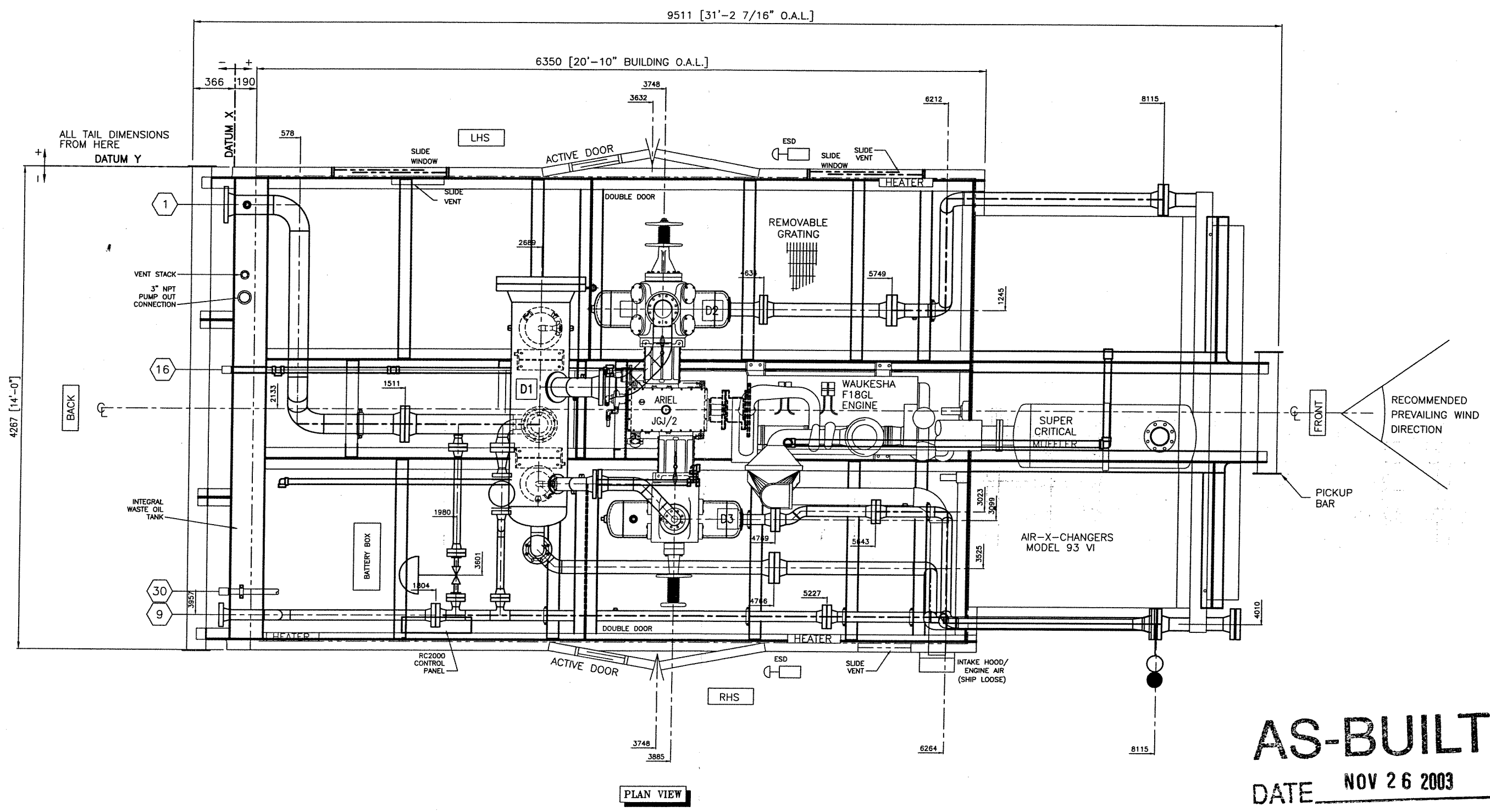


ENERFLEX

DRAWINGS

© 2002 Enerflex Systems Ltd.
 REPRODUCTION OF ANY PORTION OF THESE MATERIALS WITHOUT THE EXPRESS WRITTEN CONSENT OF ENERFLEX SYSTEMS LTD. IS STRICTLY PROHIBITED. THESE MATERIALS SHALL NOT BE USED FOR ANY PURPOSE OTHER THAN THE REPAIR AND MAINTENANCE OF THE PRODUCTS TO WHICH THEY RELATE.

FABRICATION NORTH



AS-BUILT
 DATE NOV 26 2003

B400 PROCESS/SERVICE CONNECTIONS				DISTANCE FROM DATUM					
ITEM	CONNECTION	SIZE	RATING	X		Y		Z	
				mm.	in.	mm.	in.	mm.	in.
1	SUCTION	6"	300#RF	-95	-3 3/4	-332	-13 1/8	+600	+23 5/8
9	DISCHARGE	3"	600#RF	-191	-7 1/2	-3958	-155 7/8	+600	+23 5/8
16	COALESCER DRAIN	1 1/2"	NPT	-152	-6	-1768	-69 5/8	+359	+14 1/8
30	UTILITY GAS INLET	1 1/2"	NPT	130	5 1/8	-3750	-147 5/8	+600	+23 5/8

OPTIONS	
OPT#	DESCRIPTION
5001B	AUTO BYPASS CONTROL VALVE

GENERAL NOTES

- THIS DRAWING IS NOT TO BE USED FOR CONSTRUCTION UNLESS STAMPED "RELEASED FOR MANUFACTURE".
- DO NOT SCALE THIS DRAWING.
- ALL DIMENSIONS ARE IN MILLIMETERS.
- FOR DESIGN PARAMETERS AND PAINT SPECIFICATION REFER TO PROJECT SCOPE SUMMARY DRAWING NO. _____
- ALL PIPING MUST BE SELF SUPPORTING BEYOND UNIT CONNECTIONS.
- LOCATIONS OF CUSTOMER CONNECTIONS ARE NOT GUARANTEED AS THESE DIMENSIONS MAY BE SUBJECT TO AN ACCUMULATION OF TOLERANCES ON SEVERAL COMPONENTS. MINOR CHANGES MAY ALSO BE MADE ON SCREWED SERVICE PIPING IN ORDER TO FACILITATE INSTALLATION AND MAINTENANCE. ON COMPLETION A FINAL DRAWING WILL BE ISSUED WITH FIELD CONNECTIONS CORRECTED TO 5 mm.
- IT IS ESL'S RECOMMENDATION THAT ANY PRE-SPOOLING TO THIS COMPRESSOR PACKAGE CONTAIN FIELD WELDS AT ALL CUSTOMER CONNECTIONS.
- DIMENSIONS INDICATED (*) SHALL BE CONFIRMED AND CERTIFIED CORRECT (**) ON A FINAL REVISION.
- THE FOLLOWING ITEMS WILL BE SHIPPED LOOSE FOR FIELD INSTALLATION BY OTHERS:

UNIT DIMENSIONS	LENGTH		WIDTH		HEIGHT	
	mm	ft/in	mm	ft/in	mm	ft/in
MAIN SKID w/ ALL EQUIP. MOUNTED	9511	31'-2 7/16"	4267	14'-0"	4110	13'-5 3/4"
SHIPPING DIMENSIONS	9511	31'-2 7/16"	4267	14'-0"	4110	13'-5 3/4"
COOLER	2083	8'-7 7/8"	3692	12'-9 1/4"	2734	8'-11 5/8"

ENERFLEX
 4700 47 Street SE Calgary AB Canada T2B 3R1 Canada Tel. +1.403.236.6800 Fax +1.403.279.0367
 United States England France Scotland Australia Indonesia www.enerflex.com

TITLE: **GENERAL ARRANGEMENT**
ARIEL JGJ/2, WUKESHA F18GL AXC 93VI
B400 - COMPRESSOR PACKAGE

FOR: **GREAT NORTHERN**

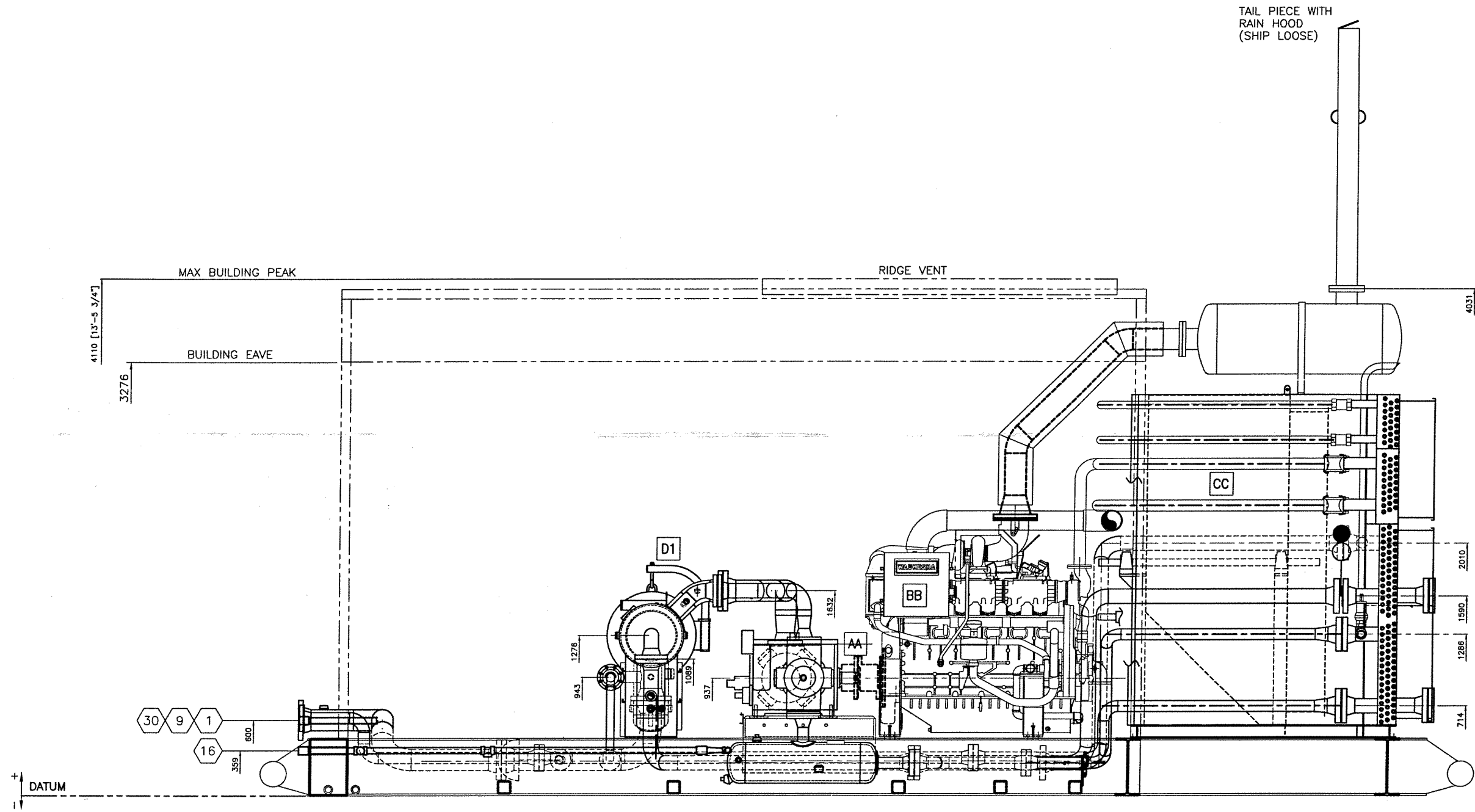
CONSULTANT: **LSD: JOB No.: 030213**

DRWN BY: ORTAYLARAM DESIGN BY: ORTAYLARAM DATE: 03/04/01 DWG. No. REV #:
 DATE: 03/04/01 CHKD BY: KJB DATE: 03/11/04 GA-030213 1
 SCALE: 1:30 APPVD BY: DATE: 03/11/04



© 2002 Enerflex Systems Ltd.
 REPRODUCTION OF ANY PORTION OF THESE MATERIALS WITHOUT THE EXPRESS WRITTEN CONSENT OF ENERFLEX SYSTEMS LTD. IS STRICTLY PROHIBITED. THESE MATERIALS SHALL NOT BE USED FOR ANY PURPOSE OTHER THAN THE REPAIR AND MAINTENANCE OF THE PRODUCTS TO WHICH THEY RELATE.

TAIL PIECE WITH RAIN HOOD (SHIP LOOSE)



ELEVATION VIEW

AS-BUILT
 DATE NOV 26 2003

B400 PROCESS/SERVICE CONNECTIONS				DISTANCE FROM DATUM					
ITEM	CONNECTION	SIZE	RATING	X		Y		Z	
				mm.	in.	mm.	in.	mm.	in.
1	SUCTION	6"	300#RF	-88	-3 1/2	-332	-13 1/8	+600	+23 5/8
9	DISCHARGE	3"	600#RF	-88	-3 1/2	-3958	-155 7/8	+600	+23 5/8
16	COALESCE DRAIN	1 1/2"	NPT	-140	-5 1/2	-1768	-69 5/8	+359	+14 1/8
30	UTILITY GAS INLET	1 1/2"	NPT	-88	-3 1/2	-3750	-147 5/8	+600	+23 5/8

OPTIONS	
OPT#	DESCRIPTION
5001B	AUTO BYPASS CONTROL VALVE

GENERAL NOTES

- THIS DRAWING IS NOT TO BE USED FOR CONSTRUCTION UNLESS STAMPED "RELEASED FOR MANUFACTURE".
- DO NOT SCALE THIS DRAWING.
- ALL DIMENSIONS ARE IN MILLIMETERS.
- FOR DESIGN PARAMETERS AND PAINT SPECIFICATION REFER TO PROJECT SCOPE SUMMARY DRAWING NO. _____
- ALL PIPING MUST BE SELF SUPPORTING BEYOND UNIT CONNECTIONS.
- LOCATIONS OF CUSTOMER CONNECTIONS ARE NOT GUARANTEED AS THESE DIMENSIONS MAY BE SUBJECT TO AN ACCUMULATION OF TOLERANCES ON SEVERAL COMPONENTS. MINOR CHANGES MAY ALSO BE MADE ON SCREWED SERVICE PIPING IN ORDER TO FACILITATE INSTALLATION AND MAINTENANCE. ON COMPLETION A FINAL DRAWING WILL BE ISSUED WITH FIELD CONNECTIONS CORRECTED TO 5 mm.
- IT IS ESL'S RECOMMENDATION THAT ANY PRE-SPOOLING TO THIS COMPRESSOR PACKAGE CONTAIN FIELD WELDS AT ALL CUSTOMER CONNECTIONS.
- DIMENSIONS INDICATED (*) SHALL BE CONFIRMED AND CERTIFIED CORRECT (**) ON A FINAL REVISION.
- THE FOLLOWING ITEMS WILL BE SHIPPED LOOSE FOR FIELD INSTALLATION BY OTHERS:

UNIT DIMENSIONS	LENGTH		WIDTH		HEIGHT	
	mm	ft/in	mm	ft/in	mm	ft/in
MAIN SKID w/ ALL EQUIP. MOUNTED	9511	31'-2 7/16"	4287	14'-0"	4110	13'-5 3/4"
SHIPPING DIMENSIONS	9511	31'-2 7/16"	4287	14'-0"	4110	13'-5 3/4"
COOLER	2083	8'-7 7/8"	3892	12'-9 1/4"	2734	8'-11 5/8"

ENERFLEX
 4700 47 Street SE Calgary AB Canada T2B 3R1 Canada Tel: +1.403.236.6800 Fax: +1.403.279.0367
 United States England France Scotland Australia Indonesia www.enerflex.com

TITLE: **GENERAL ARRANGEMENT**
ARIEL JGJ/2, WAUKESHA F18GL AXC 93VI
B400 - COMPRESSOR PACKAGE

FOR: **GREAT NORTHERN**

CONSULTANT: **LSD: JOB No.: 030213**

DRWN BY: ORTAYLARAM DESIGN BY: ORTAYLARAM DATE: 03/10/03 DWG. No.:
 P.O.: CHECKED BY: KJB DATE: 03/01/13 APPVD BY: DATE: 03/11/04 GA-030213
 SCALE: 1:30

REV #:
 1

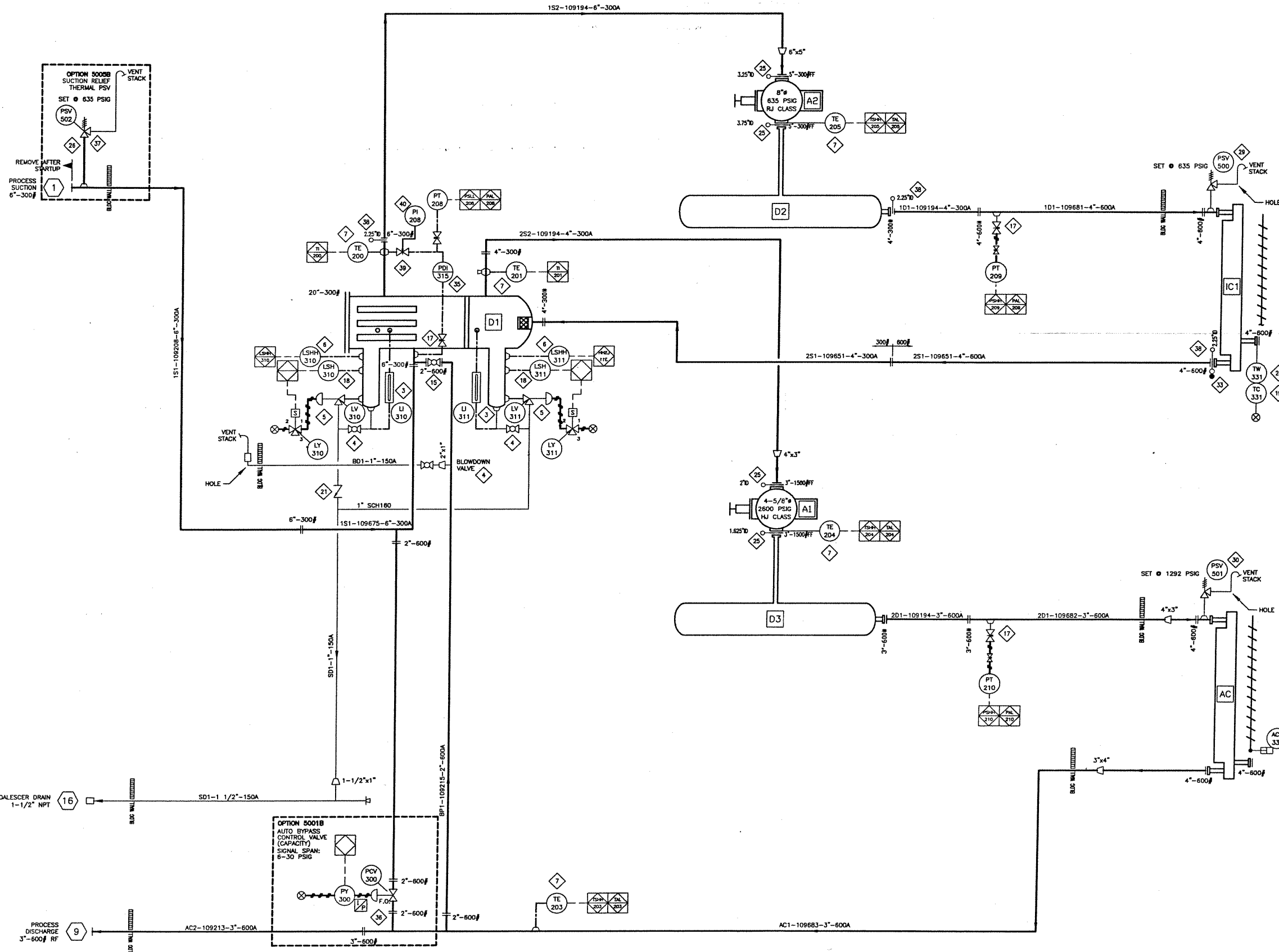
D1
SUCTION SCRUBBER
20" OD x 69 3/4" S/S
707 PSIG MAWP @ 150°F
w/ 11 FILTER ELEMENTS

D2
STG1 DISCHARGE BOTTLE
12.75" OD x 36" S/S
655 PSIG MAWP @ 300°F

D3
STG2 DISCHARGE BOTTLE
12.75" OD x 36" S/S
1315 PSIG MAWP @ 300°F

IC1
IC SECTION
1292 PSIG MAWP
@ 350°F

AC
AC SECTION
1292 PSIG MAWP
@ 350°F



ITEM	QTY	PART #	DESCRIPTION
3	1	103659	GAUGE, LEVEL, CS WITH REFLEX FLAT GLASS, 1820# (DANIEL, 71RL)
4	2	103049	VALVE, BALL, 1" NPT, 2000# WDG, RP, CS C/W LOCKING (WOM, RB136-CS-43-CS/HL)
5	1	104548	VALVE, DUMP, 1" NPT C/W 1/2" NPT DRAIN (MURPHY, DVU150)
6	1	104493	SWITCH, LEVEL, 1-1/2" NPT, XP, CSA, SPDT GHD C/W BUOYGLAS FLDAT (MURPHY, LI100)
7	3	INCL	>> TYPE J THERMOCOUPLES
9	1	INCL	>> ACTUATOR, 6-30 PSIG BY AIR-Y-CHANGERS
15	1	102913	VALVE, BALL, 2" 600# RF, FP, CS C/W LOCKING HANDLE (NUTRON, T3F2006B)
17	5	108011	VALVE, NEEDLE, 3/4" MNPT X 1/2" FNPT, CS, A105, (CENTURY, CH2-2-M4T-2H-T-S100X-5025)
18	1	104499	SWITCH, LEVEL, 2" NPT, XP, CSA, SPDT C/W BUOYGLAS FLDAT (MURPHY, LI200)
19	1	104068	CONTROLLER, TEMP, HI-18, 1" NPTM X 18" LONG PROBE WITHOUT T'WELL (KIMRAY, HBB)
20	1	104071	THERMOWELL, 316SS, 1" NPT X 18" LONG, SS-18-SS FOR HI-18 CONTROLLER(KIMRAY, HCF)
21	1	109945	VALVE, CHECK, PISTON, 1" NPT, 800# WDG, CS (NAVCO, CP-R10508AB)
35	1	107936	GAUGE, PRESS., DIFF, 3.5" LF, 0-30 PSID (ORANGE RESEARCH, 1201PG-1A-3.5B/LF/30D)

BILL OF MATERIAL			M 108070-7 - FRAME
DATE-TIME EXPORTED			2002-04-19-09:25

3	1	103659	GAUGE, LEVEL, CS WITH REFLEX FLAT GLASS, 1820# (DANIEL, 71RL)
4	1	103049	VALVE, BALL, 1" NPT, 2000# WDG, RP, CS C/W LOCKING (WOM, RB136-CS-43-CS/HL)
5	1	104548	VALVE, DUMP, 1" NPT C/W 1/2" NPT DRAIN (MURPHY, DVU150)
6	1	104493	SWITCH, LEVEL, 1-1/2" NPT, XP, CSA, SPDT GHD C/W BUOYGLAS FLDAT (MURPHY, LI100)
7	2	INCL	>> TYPE J THERMOCOUPLES
18	1	104499	SWITCH, LEVEL, 2" NPT, XP, CSA, SPDT C/W BUOYGLAS FLDAT (MURPHY, LI200)
25	4	INCL	***DRIFICE PLATES, 316SS (GENERIC)
26	1	104260	STRAINER, CONE, 6" 300# CS, 40 MESH, 100% FLOW AREA
29	1	113303	VALVE, PSV, 1-1/2" MNPT X 2" FNPT, 337 DR (F), STD (MERCER, 91-34FS10000)
30	1	112784	VALVE, PSV, 1" MNPT X 1" FNPT, 212 DR (C), STD TRIM (MERCER, 91-175T10000)
33	1	109128	SPECTACLE BLIND, 4" 600# RF, SAS16-70#
34	1	101220	PANEL, ALU, 2 STG UPGRADE RC2000L, B SER
36	1	104829	VALVE, CONTROL, 1" NPT, WCC, 3/4" DR, FD, 0-25 PSI (FISHER, 357-811)
37	1	104302	VALVE, PSV, 1" MNPT X 1" FNPT, J22 DR (C), STD TRIM (MERCER, 91-175T10000)
38	3	INCL	***DRIFICE GASKET 316SS
39	1	108018	VALVE, GAUGE, 3/4" MNPT X 1/2" FNPT, CS, A105, NACE, (CENTURY, CH2-2-M4T-B-V)
40	1	107884	GAUGE, PRESSURE, BM, 4" LF, 0-1000 PSI DUAL, 1/2" NPT (WKA, 233.54)

NOTE: ALL SERVICE LINES OPERATING ABOVE 15PSIG MUST BE PRESSURE TESTED PER THE PROCEDURE IN QC MANUAL.

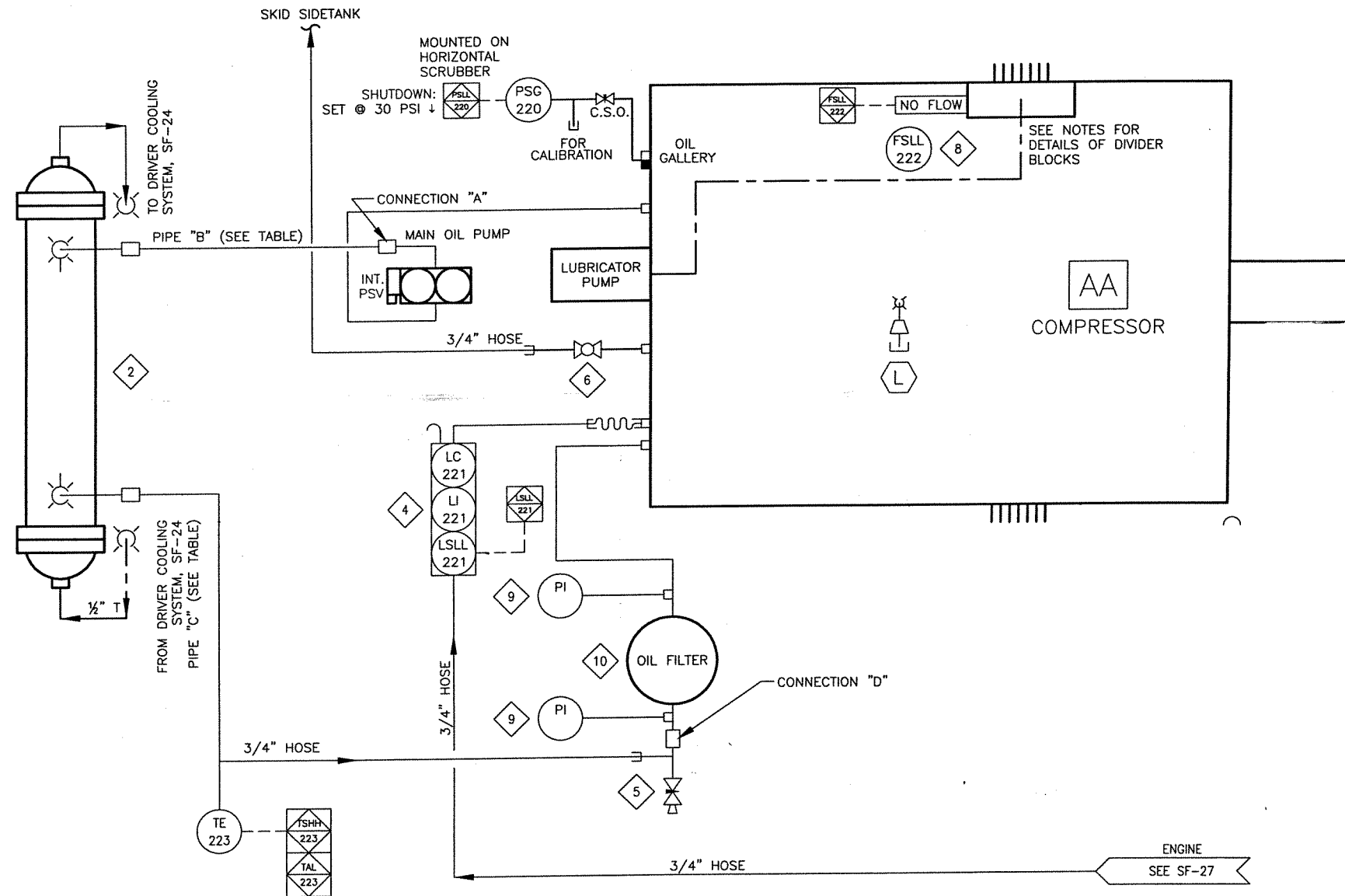
AS-BUILT
DATE NOV 26 2003

REV	DESCRIPTION	DATE	DRAWN BY	CHECKED BY
1	AS-BUILT	03/11/17	DSB	TJB
0	RELEASED FOR MANUFACTURING	03/11/05	GRT	KJB

ENERFLEX
4700 47 Street SE Calgary AB Canada T2B 3R1 Canada Tel +1.403.236.6800 Fax +1.403.279.0367 www.enerflex.com

ENGINEERING RECORD	AREA/PROJECT	CONSULTANT
DRAWN BY: GRT	DATE: 03/04/01	TITLE: PROCESS FLOW B400 - 2 STAGE GREAT NORTHERN
DESIGNED BY: TJB	DATE: 03/11/05	SCALE: NTS
SHEET 1 of 1	DWG NO: PF-030213-50	REV: 1

© 2003 Enerflex Systems Ltd.
REPRODUCTION OF ANY PORTION OF THESE MATERIALS WITHOUT THE EXPRESS WRITTEN CONSENT OF ENERFLEX SYSTEMS LTD. IS STRICTLY PROHIBITED. THESE MATERIALS SHALL NOT BE USED FOR ANY PURPOSE OTHER THAN THE REPAIR AND MAINTENANCE OF THE PRODUCTS TO WHICH THEY RELATE.



MATERIAL LIST			
ITEM	QTY	PART #	DESCRIPTION
2	1	104967	COOLER, LUBE OIL [THERMAL TRANSFER, EK-712-0]
4	1	107969	CONTROLLER, OIL LEVEL C/W ELECTRIC SWITCH, XP, CSA C/W BRACKET [KENCO, LCE-9]
5	1	110142	VALVE, NEEDLE, OIL SAMPLE, 1/4" FNPT, BRASS [NUPRO, B-4JN4]
6	1	102972	VALVE, BALL, 3/4" NPT, 2000# WOG, RP, A105 BODY, NACE C/W [NAVCO, H1-R07S20S]
8	1	INCL.	>> DNFT BY ARIEL
9	2	INCL.	>> GAUGE PI BY ARIEL
10	1	INCL.	>> OIL FILTER BY ARIEL
BILL OF MATERIAL:			M 110126-2 : ASSEMBLY, COMPRESSOR OIL, B400/401/530/570
DATE-TIME EXPORTED:			2002-07-31-14.37

FRAME	JGJ/2
FRAME CRANKCASE VOLUME	23 L
OIL FLOWRATE	30 L/min.
CONNECTION "A"	3/4" NPT
PIPE "B"	3/4" HOSE
PIPE "C"	1/2" NYLON TUBING
CONNECTION "D"	1" NPT

AS-BUILT
 DATE NOV 26 2003

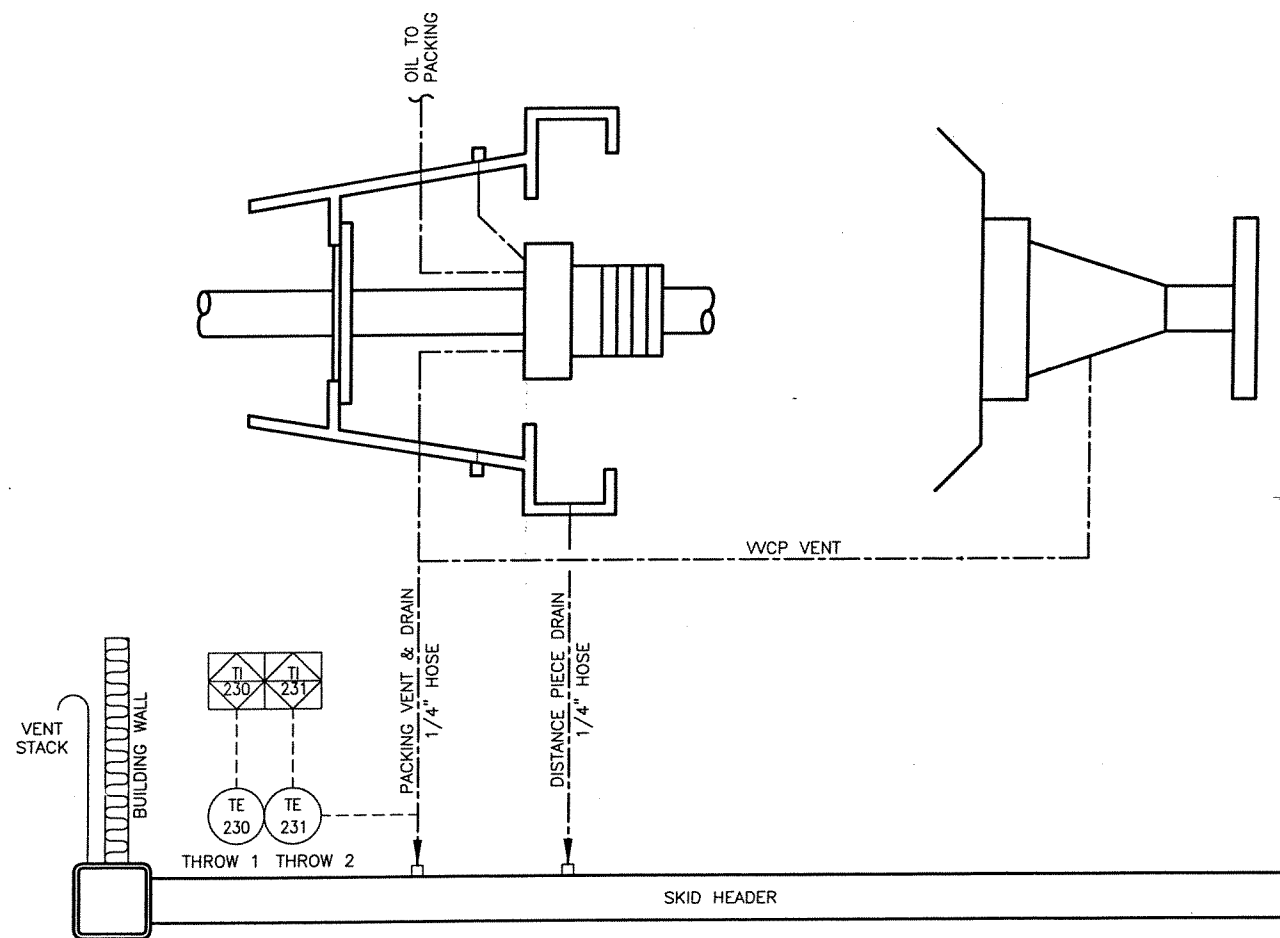
REV	DESCRIPTION	DATE	DRAWN BY	CHECKED BY
1	AS-BUILT	03/11/17	DSB	<i>[Signature]</i>
0	RELEASED FOR MANUFACTURING	03/11/05	GRT	KJB

REVISIONS

ENERFLEX

4700 47 Street SE Calgary AB Canada T2B 3R1 Canada Tel. +1.403.236.6800 Fax +1.403.279.0367
 www.enerflex.com

ENGINEERING RECORD	AREA/PROJECT	CONSULTANT
DRAWN BY: GRT DATE: 03/11/05 CHKD BY: <i>[Signature]</i> DATE: 03/11/05	TITLE: SERVICE FLOW JGJ/2 FRAME COMPRESSOR OIL SYSTEM GREAT NORTHERN	
SHEET 1 of 1	SCALE: NTS	CONTR. DWG. NO.: SF-0030213-20



OPERATION NOTES
 1. SITE INSTALLATION AND START UP MINIMUM REQUIREMENTS PER EFX SPECS 905-1 TO 905-7 MUST BE FOLLOWED.

AS-BUILT
 DATE NOV 26 2003

REV	DESCRIPTION	DATE	DRAWN BY	CHECKED BY
1	AS-BUILT	03/11/17	DSB	<i>[Signature]</i>
0	RELEASED FOR MANUFACTURING	03/11/05	GRT	KJB

REVISIONS

ENERFLEX
 4700 47 Street SE Calgary AB Canada T2B 3R1 Canada Tel: +1403.236.6800 Fax: +1403.279.0367
 www.enerflex.com

ENGINEERING RECORD	AND/PROJECT	CONSULTANT
DRAWN BY VBB	DATE 02/04/23	TITLE STANDARD PACKING VENT & DRAIN SYSTEM - PRE-ENGINEERED - 0 - 2% H2S GREAT NORTHERN
DESIGNED BY <i>[Signature]</i>	DATE 03/11/17	SCALE NTS
SHEET 1 of 1	DWG NO SF-030213-21	REV 1

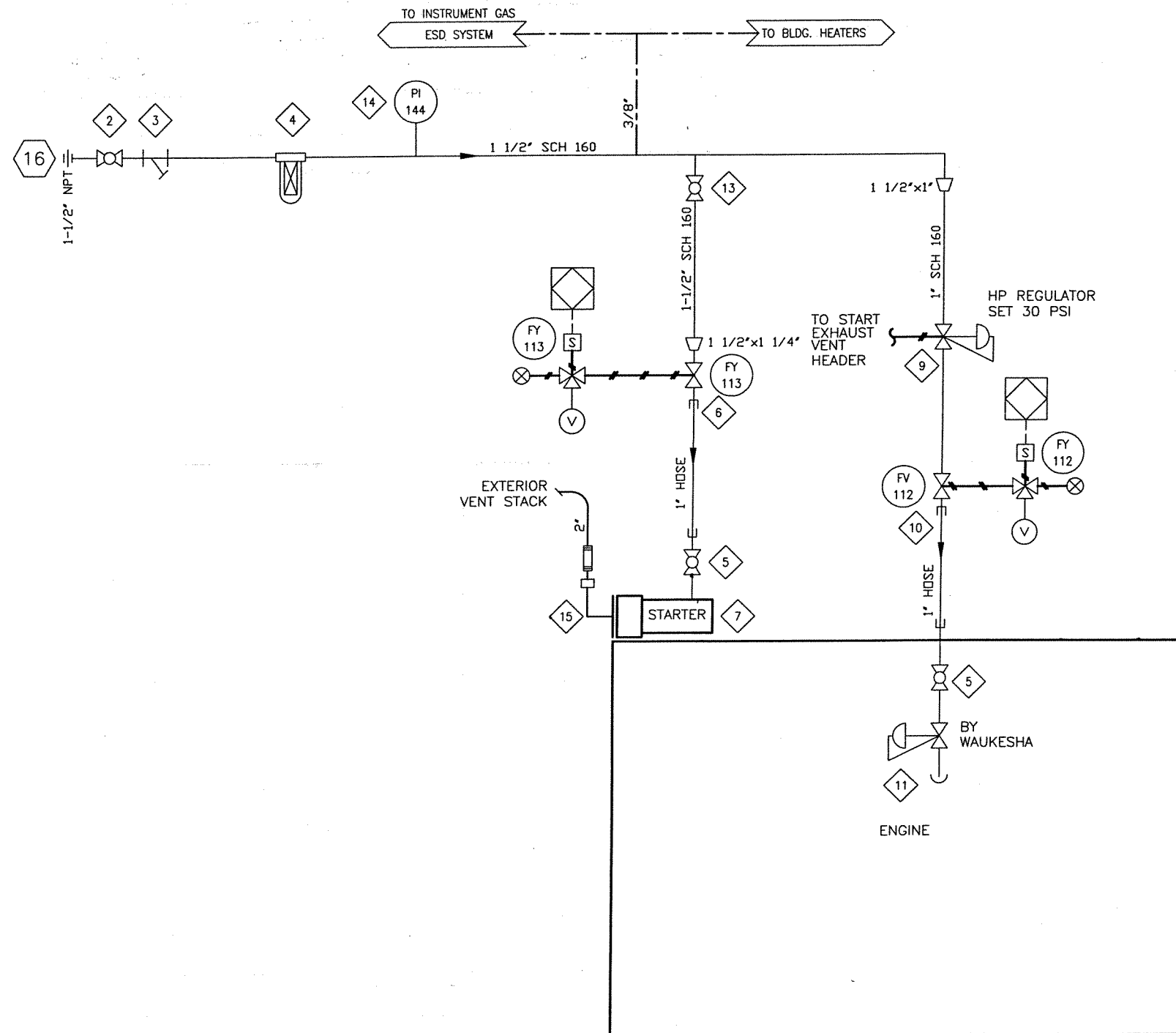
© 2003 Enerflex Systems Ltd.
 REPRODUCTION OF ANY PORTION OF THESE MATERIALS WITHOUT THE EXPRESS WRITTEN CONSENT OF ENERFLEX SYSTEMS LTD. IS STRICTLY PROHIBITED. THESE MATERIALS SHALL NOT BE USED FOR ANY PURPOSE OTHER THAN THE REPAIR AND MAINTENANCE OF THE PRODUCTS TO WHICH THEY RELATE.

MATERIAL LIST

ITEM	QTY	PART #	DESCRIPTION
2	1	102923	VALVE, BALL, 1-1/2" NPT, 2000# WDG, FP, CS C/W LOCKING (NUTRON, T3-F15S20B)
3	1	102830	STRAINER, Y, 1-1/2" NPT, 1480 PSIG MAWP, CS, 1/32" SS SCREEN (ALTA, YS-800)
4	1	115569	FILTER, 1-1/2" FNPT C/W 200-35-DX ELEMENT & SS PLUG (BALSTON, C8312N-0A0-DX-S453)
9	1	104851	REGULATOR, 1" NPT, DI, 1/2" DR, SET @ 30 PSIG (FISHER, 627R-198)
10	1	104950	VALVE, CONTROL, 1" NPT, CI, 9/16" DR, 5-35 PSI, ON/OFF (FISHER, 119-12)
11	1	INCL.	>> FUEL GAS REGULATOR BY WAUKESHA

			BILL OF MATERIAL: M 110115-6 : FUEL GAS
			DATE-TIME EXPORTED: 2002-08-01-13.50
5	2	103049	VALVE, BALL, 1" NPT, 3000# WDG, RP, CS C/W LOCKING (WKM, RB136-CS-43-CS/HL)
6	1	103764	VALVE, RELAY, GAS, 1-1/4" NPT, MAWP 450 PSI (TDI, RLVA25683001200)
7	1	103750	STARTER, AIR/GAS, STD 120-60 PSIG, INERTIA, DUA (TDI TURBOSTART, T306-60017-01R)
13	1	103028	VALVE, BALL, 1-1/2" NPT, 3000# WDG, FP, CS C/W LOCKING (WKM, FB138-CS-43-CS/HL)
14	1	107895	GAUGE, PRESSURE, BM, 2-1/2" LF, 0-200 PSI DUAL, 1/4" NPT (WIKA, 233.53)
15	1	103742	ELBOW, STARTER EXHAUST, 90 DEG, SR, 2" NPTM, CS (TDI, T30-28456)

-FUEL GAS
RATED 53 SCFM @ 120 PSIG
-START GAS
RATED 650 SCFM @ 120 PSIG
PSV SET @ 165 PSIG (NOT SUPPLIED)



AS-BUILT
DATE NOV 26 2003

NOTES:
SITE INSTALLATION AND START UP MINIMUM REQUIREMENTS PER EFX SPECS 905-1 TO 905-7 MUST BE FOLLOWED.
ALL SERVICE LINES OPERATING ABOVE 15 PSIG MUST BE PRESSURE TESTED PER THE PROCEDURE IN QC MANUAL.

REV	DESCRIPTION	DATE	DRAWN BY	CHECKED BY
1	AS-BUILT	03/11/17	DSB	<i>[Signature]</i>
0	RELEASED FOR MANUFACTURING	03/11/05	GRT	KJB

REVISIONS

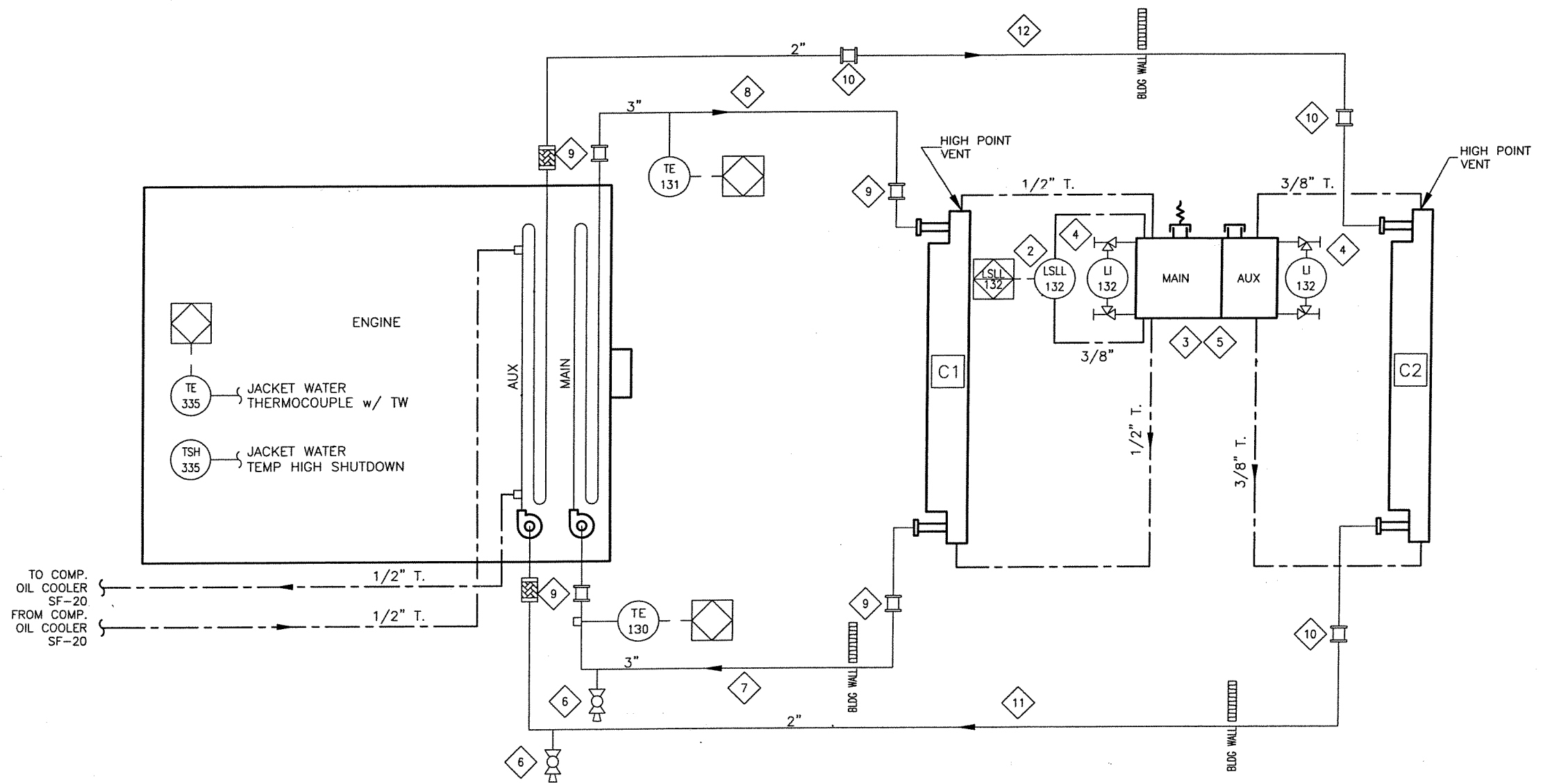
ENERFLEX
4700 47 Street SE Calgary AB Canada T2B 3R1 Canada Tel. +1.403.236.6800 Fax +1.403.279.0367
www.enerflex.com

ENGINEERING RECORD	AREA/PROJECT	CONSULTANT
DRAWN BY: GRT DATE: 03/11/05 CHKD BY: <i>[Signature]</i> 03/11/05 ENGRD BY: <i>[Signature]</i>	TITLE: SERVICE FLOW WAUKESHA F18GL FUEL & START GAS GREAT NORTHERN	
SHEET 1 of 1	SCALE: NTS CONTR. DES. NO. DWG. NO. SF-030213-22	REV: 1

MATERIAL LIST

ITEM	QTY	PART #	DESCRIPTION
2	1	104482	GAUGE, LEVEL, COOLANT WITH SIGHT GLASS, SPDT [MURPHY, EL150K1]
3	1	109170	TANK, COOLANT SURGE, B400/B401/B530/B570
4	2	104559	VALVE, SET GAUGE, 1/2" NPT [CRANE, 20-104-03]
5	1	107270	COOLANT, UCAR THERM 55 (205L DRUM)
6	2	102895	VALVE, BALL, 3/4" NPT, 2000# WDG, RP C/W HANDLE [GRINNELL, 3911-A9]
7	1	109785	PIPE, JACKET WATER COLD, B400
8	1	109786	PIPE, JACKET WATER HDT, B400
9	4	101235	COUPLING, STRAIGHT, 3", STYLE 38 [DRESSER, 0038-0187-011]
10	3	101245	COUPLING, STRAIGHT, 2", STYLE 90 [DRESSER, 0090-0005-082]
11	1	109783	PIPE, AUX.WATER COLD, B400
12	1	109784	PIPE, AUX.WATER HDT, B400

BILL OF MATERIAL:			M 110115-3 : ASSEMBLY, ENGINE COOLING SYSTEM, F18GL
DATE-TIME EXPORTED:			2002-07-31-16.12



AS-BUILT
DATE NOV 26 2003

REV	DESCRIPTION	DATE	DRAWN BY	CHECKED BY
1	AS-BUILT	03/11/17	DSB	<i>[Signature]</i>
0	ISSUED FOR CONSTRUCTION	03/11/05	GRT	KJB

REVISIONS

ENERFLEX

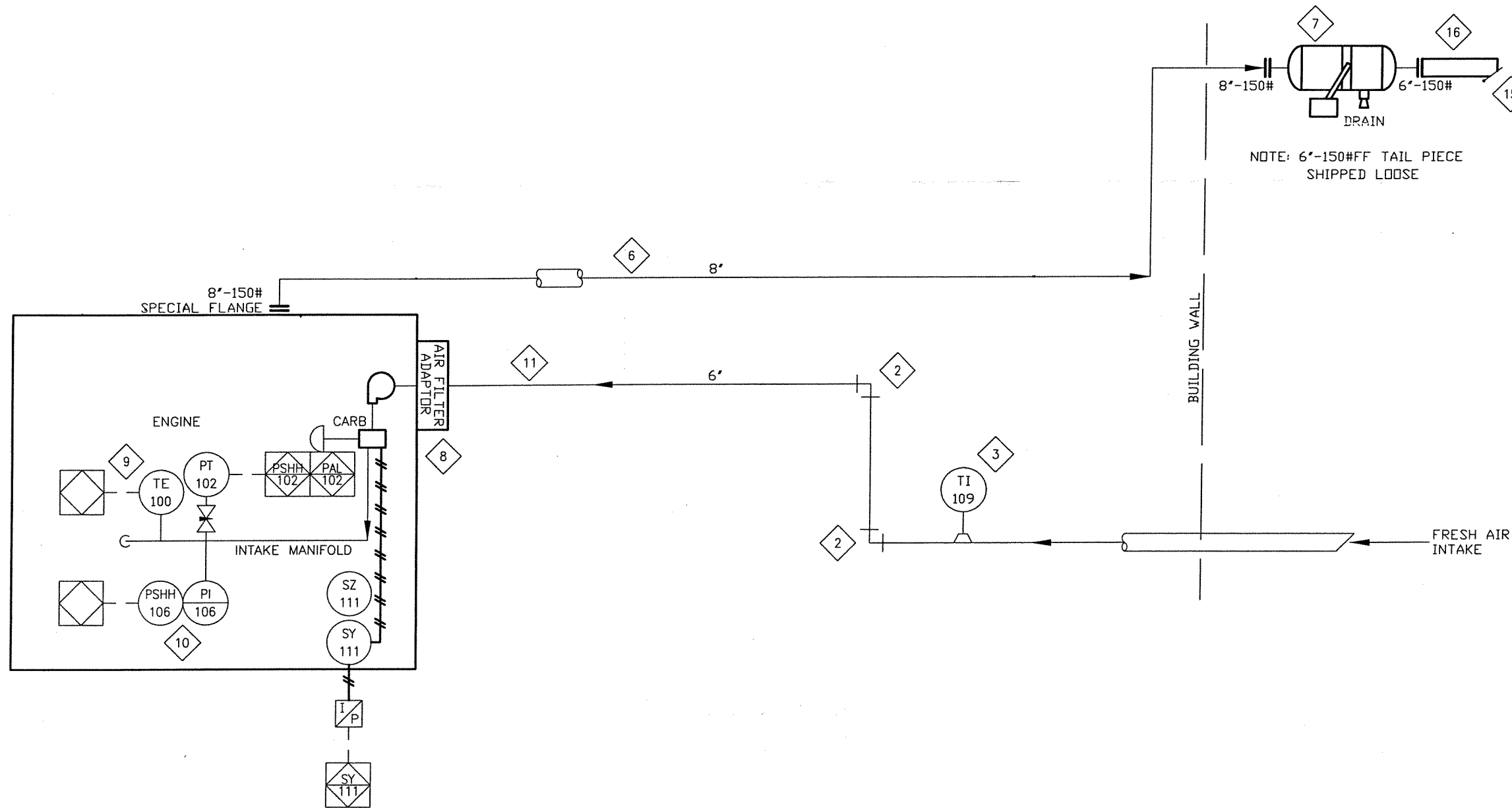
4700 47 Street SE Calgary AB Canada T2B 3R1 Canada Tel: +1.403.236.6800 Fax: +1.403.279.0367
www.enerflex.com

DRAWN BY		DATE	AREA/PROJECT	CONSULTANT
GRT		03/11/05		
CHG BY		<i>[Signature]</i> 03/11/05	TITLE	
ENGINEER			SERVICE FLOW WAUKESHA F18GL ENGINE COOLING SYSTEM GREAT NORTHERN	
SHEET 1 of 1		SCALE	CONTR. DRG. NO.	REV
		NTS	CONTR. DRG. NO. SF-030213-24	1

MATERIAL LIST

ITEM	QTY	PART #	DESCRIPTION
2	2	103612	ELBOW, EXHAUST, RUBBER, 90 DEG, 6" (DONALDSON, P10-5535)
3	1	107875	GAUGE, TEMP, 3" DIAL LF, 2-1/2" STEM, -40/120 DEG.F DUAL, 1/2" (TREND, SF30025)
6	1	109572	EXHAUST LINE, SS INSULATED, 8", B400
7	1	104721	MUFFLER, SUPER CRIT. GR, 8"x6' 150# END IN/SIDE OUT, (SILEX, JC-8/6-S012-GIG0-A)
8	1	109587	AIR FILTER ADAPTOR, 6' B400 FM-12.13-A
9	1	INCL.	>> INDUCTION AIR TEMP SENSOR
10	1	INCL.	>> PI WIKA (IN CONTROL PANEL)
11	1	104568	AIR INTAKE TUBING, MECHANICAL, 6" DD X 14 GAUGE (.075 WALL), ERW
15	1	103995	EXHAUST, RAINCAP, 6" DD
16	1	109583	EXHAUST, STACK, 6' B400/B401

			BILL OF MATERIAL: M 110115-4 : ASSEMBLY, AIR/EXHAUST, F18GL
			DATE-TIME EXPORTED: 2002-03-26-10.38



AS-BUILT
 NOV 26 2003
 DATE _____

REV	DESCRIPTION	DATE	DRAWN BY	CHECKED BY
1	AS-BUILT	03/11/17	DSB	<i>[Signature]</i>
0	RELEASED FOR MANUFACTURING	03/11/05	GRT	KJB

REVISIONS

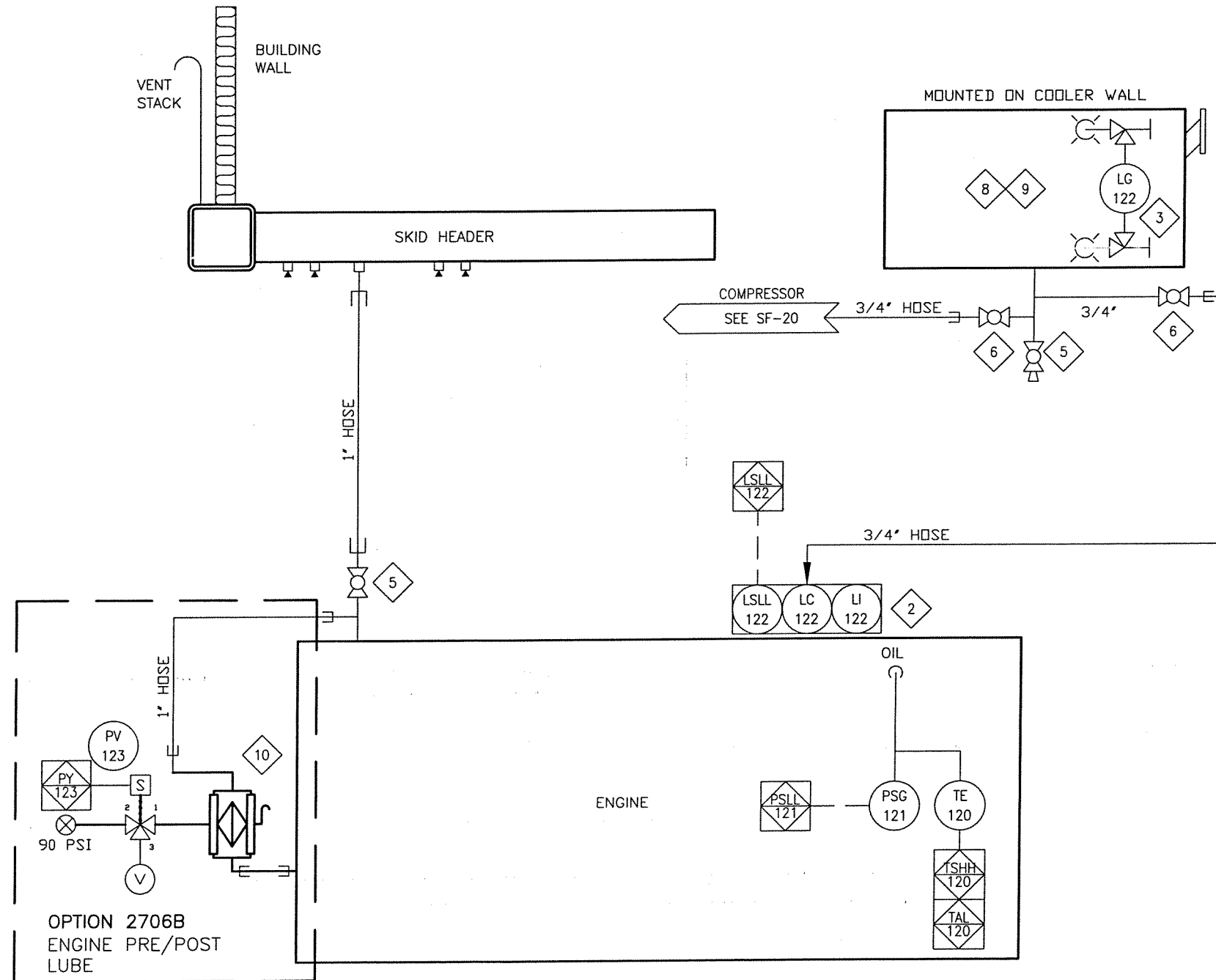
ENERFLEX

4700 47 Street SE Calgary AB Canada T2B 3R1 Canada Tel: +1403.236.6800 Fax: +1403.279.0367
 www.enerflex.com

ENGINEERING RECORD	AREA/PROJECT	CONVENT
DRAWN BY: GRT DATE: 03/11/05 CHECKED BY: <i>[Signature]</i> DATE: 03/11/05	TITLE: SERVICE FLOW WAUKESHA F18GL AIR & EXHAUST GREAT NORTHERN	SCALE: NTS CONTR. DRG. NO.: DRG. NO.: SF-030213-26
SHEET 1 of 1		REV 1

MATERIAL LIST

ITEM	QTY	PART #	DESCRIPTION
2	1	107969	CONTROLLER, OIL LEVEL C/W ELECTRIC SWITCH, XP, CSA C/W BRACKET [KENC0, LCE-9]
3	1	104559	VALVE, SET GAUGE, 1/2" NPT [CRANE, 20-104-03]
5	2	102937	VALVE, BALL, 1" NPT, 2000# WDG, RP, 316SS, NACE C/W LOCKING [NAVCO, C1-R10S20A]
6	2	102973	VALVE, BALL, 3/4" NPT, 2000# WDG, RP, 316SS, NACE C/W [NAVCO, C1-R10S20A]
8	1	104082	LUBE OIL, ESSOLUBE GLX40
9	1	109169	TANK, OIL B400/401
10	1	107479	PUMP, DIAPHRAGM, 1" NPT, ALUMINUM, BUNA,#02-10007 [WILDEN, T2/AAAB/BN/BN/ABN247]



AS-BUILT
DATE NOV 26 2003

REV	DESCRIPTION	DATE	DRAWN BY	CHECKED BY
1	AS-BUILT	03/11/17	DSB	
0	RELEASED FOR MANUFACTURING	03/11/05	GRT	KJB

REVISIONS

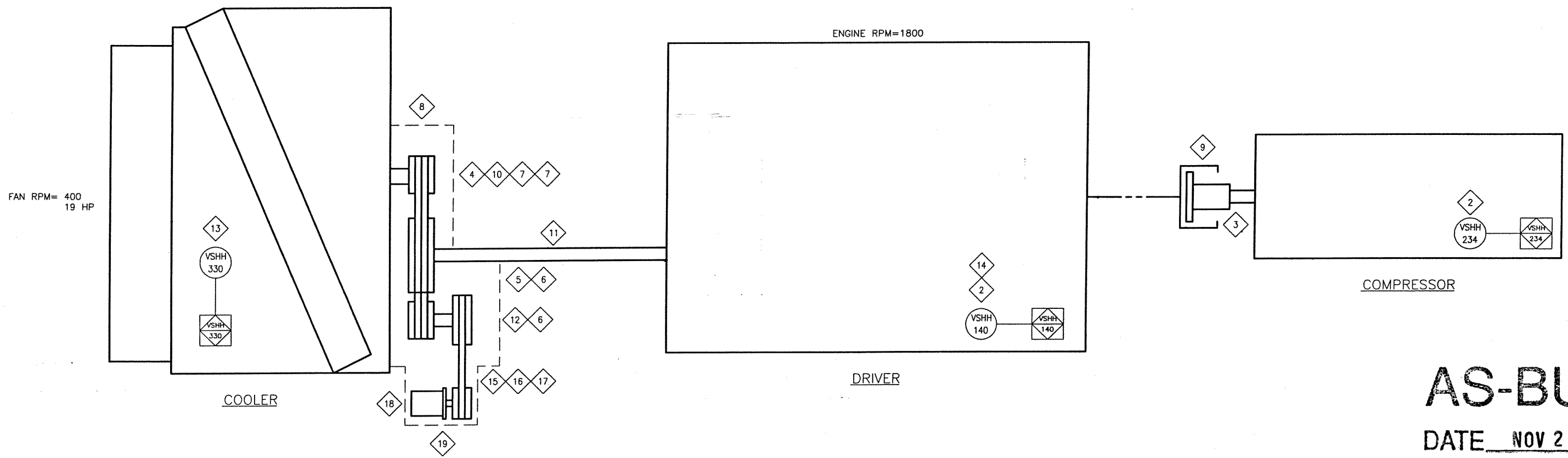
ENERFLEX

4700 47 Street SE Calgary AB Canada T2B 3R1 Canada Tel. +1403.236.6800 Fax +1403.279.0367
www.enerflex.com

ENGINEERING RECORD	AREA/PROJECT	CONSULTANT
DRAWN BY: GRT DATE: 03/11/05 CHD BY: <i>[Signature]</i> DATE: 03/11/05 SHEET 1 of 1	TITLE: SERVICE FLOW WAUKESHA F18GL ENGINE LUBE OIL GREAT NORTHERN	SCALE: NTS CONTR. Dwg. NO.: SF-030213-27 REV: 1

MATERIAL LIST			
ITEM	QTY	PART #	DESCRIPTION
2	2	104524	SWITCH, VIBRATION, ELECTRIC C/W MANUAL RESET [MURPHY, VS2]
3	1	104584	COUPLING, ADAPTER PLATE 22.5" OD SAE C/W STEEL HUB, B400/1/530/7 [THOMAS, 500CMR]
4	1	107069	BUSHING, E 2-7/16" [BROWNING, E]
5	1	107114	BUSHING, SK 2-7/16" SHALLOW KEYWAY [BROWNING, SK]
6	2	107146	SHEAVE, 2-GROOVE, QD, USED WITH SK BUSHING [BROWNING, 25V630SK]
7	2	107053	V-BELT, GRIPNOTCH [GOODYEAR, 5VX1400]
8	1	109532	GUARD, COOLER BELT B400/530, 1996, L&S DESIGN
9	1	109552	GUARD, COUPLING/FLYWHEEL, 500CMR, B400/530/570
10	1	107145	SHEAVE, 2-GROOVE, QD, USED WITH E BUSHING [BROWNING, 25V2800E]
11	1	109136	STUB SHAFT, F18GL/H24GL PER DWG #FM-13.10-C
12	1	107113	BUSHING, SK 2-3/16" [BROWNING, SK]
13	1	INCL	>> SWITCH, VIBRATION, ELECTRIC WI MANUAL RESET
14	1	110357	BRACKET, VIBRATION SWITCH
15	1	107104	BUSHING, Q1 2-3/16" [BROWNING, Q1]
16	1	107157	SHEAVE, 2-GROOVE, USED WITH Q1 BUSHING [BROWNING, 2TA120]
17	2	106982	V-BELT, A-SECTION [GOODYEAR, A-45]
18	1	104751	ALTERNATOR ASSY, 24VDC, 30 AMP C/W INTEGRAL REG. #A2-101 [CE NIEHOFF, A1-101]
19	1	110194	GUARD, 24V ALTERNATOR

BILL OF MATERIAL:			M 112924 : ASSEMBLY, DRIVE TRAIN, B400/530
DATE-TIME EXPORTED:			2002-07-31-16.16



AS-BUILT
DATE NOV 26 2003

REV	DESCRIPTION	DATE	DRAWN BY	CHECKED BY
1	AS-BUILT	03/11/17	DSB	<i>[Signature]</i>
0	RELEASED FOR MANUFACTURING	03/11/05	GRT	KJB

REVISIONS

ENERFLEX
4700 47 Street SE Calgary AB Canada T2B 3R1 Canada Tel. +1.403.236.6800 Fax +1.403.279.0367
www.enerflex.com

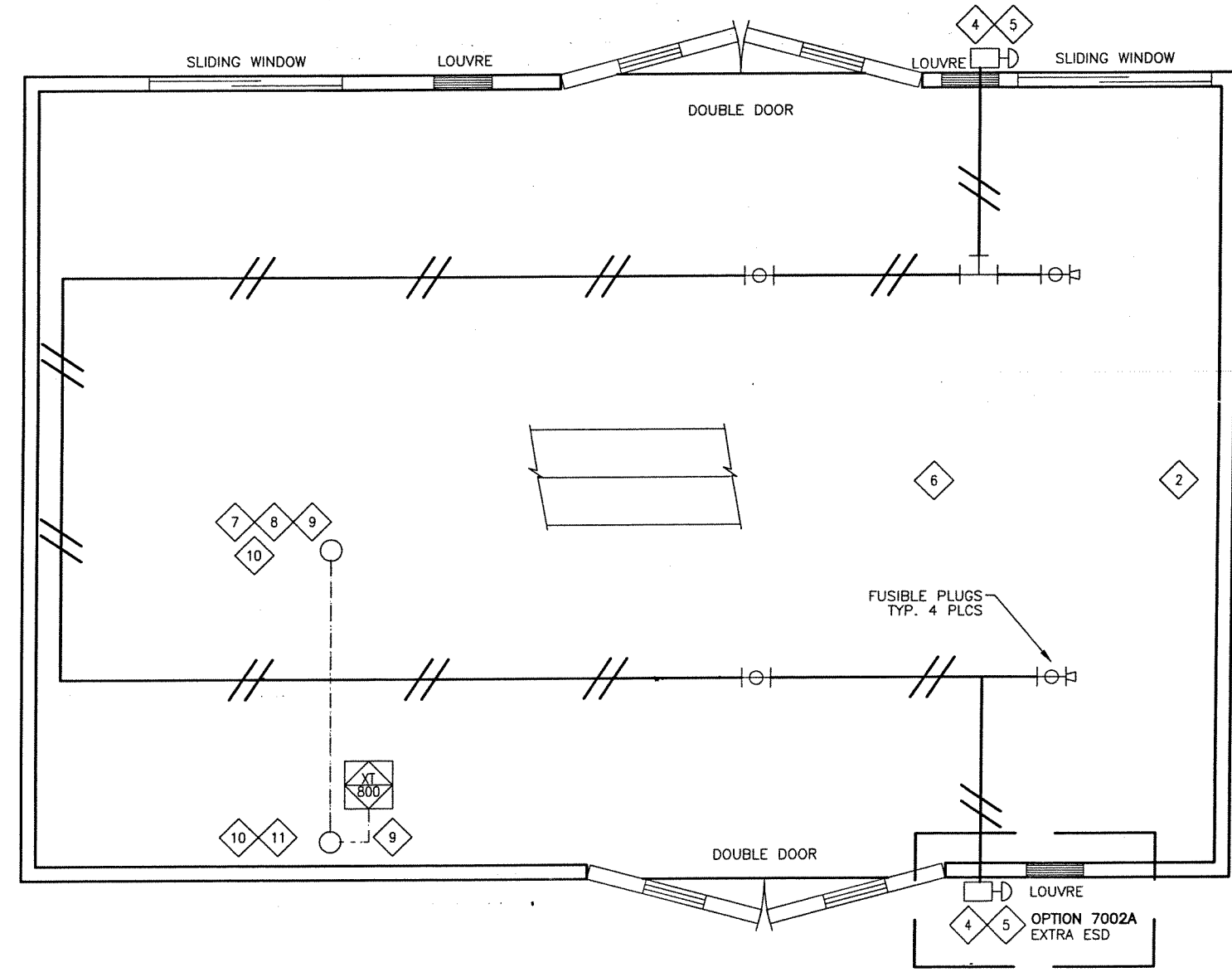
ENGINEERING RECORD	AREA/PROJECT	CONSULTANT
DRAWN BY GRT	DATE 03/11/05	TITLE DRIVE TRAIN EQUIPMENT B400 GREAT NORTHERN
ENGINEER <i>[Signature]</i>	DATE 03/11/05	SCALE NTS
SHEET 1 OF 1	CONTR. DWG NO. DWG NO. SF-030213-28	REV 1

© 2003 Enerflex Systems Ltd.
REPRODUCTION OF ANY PORTION OF THESE MATERIALS WITHOUT THE EXPRESS WRITTEN CONSENT OF ENERFLEX SYSTEMS LTD. IS STRICTLY PROHIBITED. THESE MATERIALS SHALL NOT BE USED FOR ANY PURPOSE OTHER THAN THE REPAIR AND MAINTENANCE OF THE PRODUCTS TO WHICH THEY RELATE.

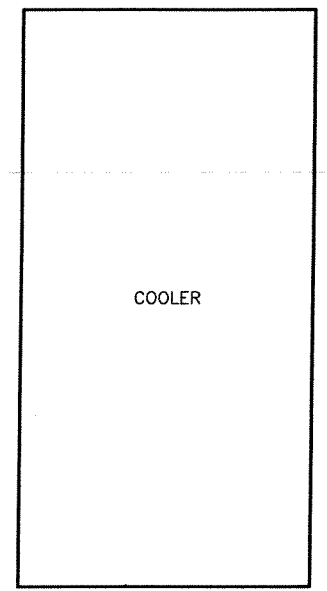
© 2002 Enerflex Systems Ltd.
 REPRODUCTION OF ANY PORTION OF THESE MATERIALS WITHOUT THE EXPRESS WRITTEN CONSENT OF ENERFLEX SYSTEMS LTD. IS STRICTLY PROHIBITED. THESE MATERIALS SHALL NOT BE USED FOR ANY PURPOSE OTHER THAN THE REPAIR AND MAINTENANCE OF THE PRODUCTS TO WHICH THEY RELATE.

MATERIAL LIST			
ITEM	QTY	PART #	DESCRIPTION
2	1	104635	BLDG, B400, 22G GALV. EXT., 24G FLUTED ALUM. INT., R12 BATT INSULATION ROOF &
4	2	104809	VALVE, 3-WAY, TYPE CA, 1/4" NPTF C/W RED KNOB (AMOT, 4057D019F1-RFE)
5	2	104792	BRACKET, MOUNT, FOR 3-WAY 4057 VALVE (AMOT, 5186)
6	2	110228	UNIT DECALS
7	1	104307	JUNCTION BOX ASSY, CSA, CLASS I, DIV.1, GROUPS C&D (NET SAFETY, JB2-4)
8	1	104309	ACCESSORY, CALIBRATION CUP/SPLASH GUARD (NET SAFETY, CCS-1)
9	1	104312	CALIBRATION, OF SENSORS, GAS LEL, INCLUDES CALIBRATION CERTIFICATE (NET SAFETY)
10	1	104316	DETECTOR, COMBUSTIBLE GAS DETECTION, UNI-TRAN STD (NETSAFETY, UT-S-SC1100-100-A)
11	1	103105	WIRE, OF MICROWATT XP LEL GAS SENSOR, B & C SERIES

BILL OF MATERIAL:		M 108093 : ASSEMBLY, BUILDING, B400 / B401	
DATE-TIME EXPORTED:		2002-08-02-14.03	



BUILDING EQUIPMENT AND DETAILS



AS-BUILT
 DATE NOV 26 2003

NOTE:
 ALL DOORS c/w ALUMINUM THRESHOLD, VINYL WEATHER STRIPPING, HEAVY DUTY HINGES, HEAVY DUTY FRAME, CYLINDER LOCK, HEAVY DUTY WEEPS & PAINT. ALL DOUBLE DOORS c/w HEAD & FOOT BOLTS ON INACTIVE LEAF.

COLOR SCHEDULE

WALL INTERIOR LINER:	24 GA FLUTED ALUM. NATURAL INTERIOR
WALL EXTERIOR LINER:	22 GA GALVANIZED STEEL
COOLER:	EM SILVER GREY
EQUIPMENT:	EM SILVER GREY
SKID PERIMETER:	EM SILVER GREY
GRATING:	BLACK
SCRUBBER DRAINS:	EM SILVER GREY

BUILDING OPTIONS	
OPT #	DESCRIPTION

REV	DESCRIPTION	DATE	DRAWN BY	CHECKED BY
1	AS-BUILT	03/11/17	DSB	<i>[Signature]</i>
0	RELEASED FOR MANUFACTURING	03/11/05	GRT	KJB

REVISIONS

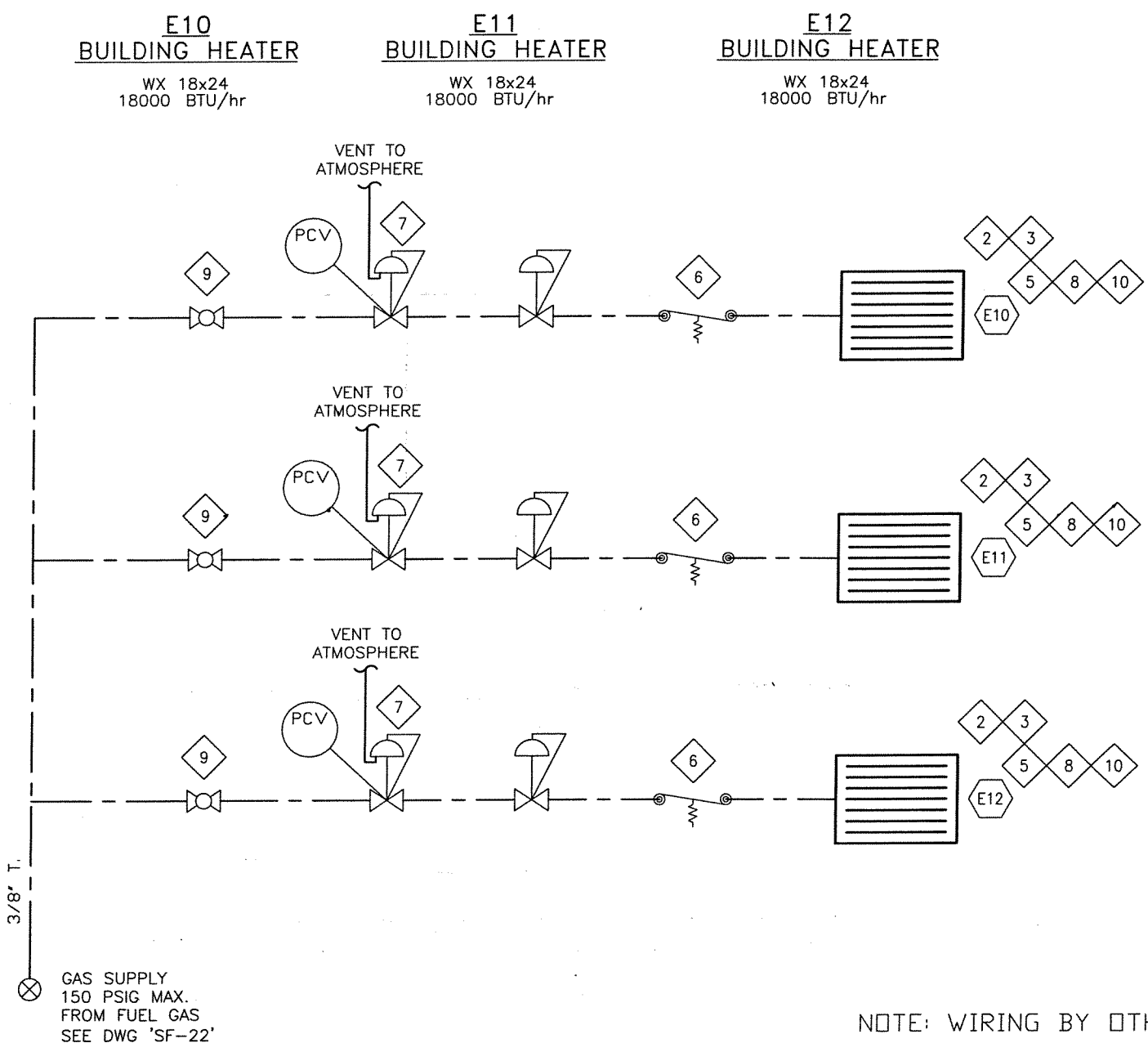
ENERFLEX
 4700 47 Street SE Calgary AB Canada T2B 3R1 Canada Tel: +14032366800 Fax: +14032790367
 www.enerflex.com

ENGINEERING RECORD	AREA/PROJECT -	CONSULTANT -
DRAWN BY WBB	DATE 2002/01/11	TITLE SERVICE FLOW BUILDING EQUIPMENT - B400 GREAT NORTHERN
CHG BY <i>[Signature]</i>	DATE 03/11/05	SCALE NTS
SHEET 1 of 1	CONTR. DWG NO.	DWG NO. SF-030213-70

© 2002 Enerflex Systems Ltd.
 REPRODUCTION OF ANY PORTION OF THESE MATERIALS WITHOUT THE EXPRESS WRITTEN CONSENT OF ENERFLEX SYSTEMS LTD. IS STRICTLY PROHIBITED. THESE MATERIALS SHALL NOT BE USED FOR ANY PURPOSE OTHER THAN THE REPAIR AND MAINTENANCE OF THE PRODUCTS TO WHICH THEY RELATE.

MATERIAL LIST			
ITEM	QTY	PART #	DESCRIPTION
2	3	103498	HEATER, 12 MBTU, 120 VOLT C/W VALVE-H17CB-5 [CATADYNE, WX18X24]
3	3	109154	SUPPORT, HEATER FLAT FM-12.14-D
5	3	103100	WIRE, XP, HEATER 110VAC, B & C-SERIES
6	3	INCL.	>> THERMOSTAT, AC1146, BY CATADYNE
7	3	INCL.	>> REGULATOR, FISHER, TYPE 912, BY CATADYNE
8	3	INCL.	>> PROTECT GRILL, AC-1180, BY CATADYNE
9	3	INCL.	>> VALVE, BALL, 3/8" NPT, BY CATADYNE

		BILL OF MATERIAL: M 108077 : HEATER ASSY, B325 / B400 / B401 / B530 / B570	
		DATE-TIME EXPORTED: 2002-01-15-11.23	



NOTE: WIRING BY OTHERS

AS-BUILT

DATE NOV 26 2003

BUILDING EQUIPMENT AND CONTROLS

REV	DESCRIPTION	DATE	DRAWN BY	CHECKED BY
1	AS-BUILT	03/11/17	DSB	<i>[Signature]</i>
0	RELEASED FOR MANUFACTURING	03/11/05	GRT	KJB

REVISIONS

ENERFLEX

4700 47 Street SE Calgary AB Canada T2B 3R1 Canada Tel: +1.403.236.6800 Fax: +1.403.279.0367
 www.enerflex.com

ENGINEERING RECORD	AREA/PROJECT	CONSULTANT
DRAWN BY: WBB DATE: 2002/01/15 CHECKED BY: <i>[Signature]</i> ENGINEER: <i>[Signature]</i>	TITLE: SERVICE FLOW BUILDING HEATERS (CATADYNE) B400 GREAT NORTHERN	ROLE: NTS CONTR. DWG NO: DWG NO: SF-030213-72

SHEET 1 of 1