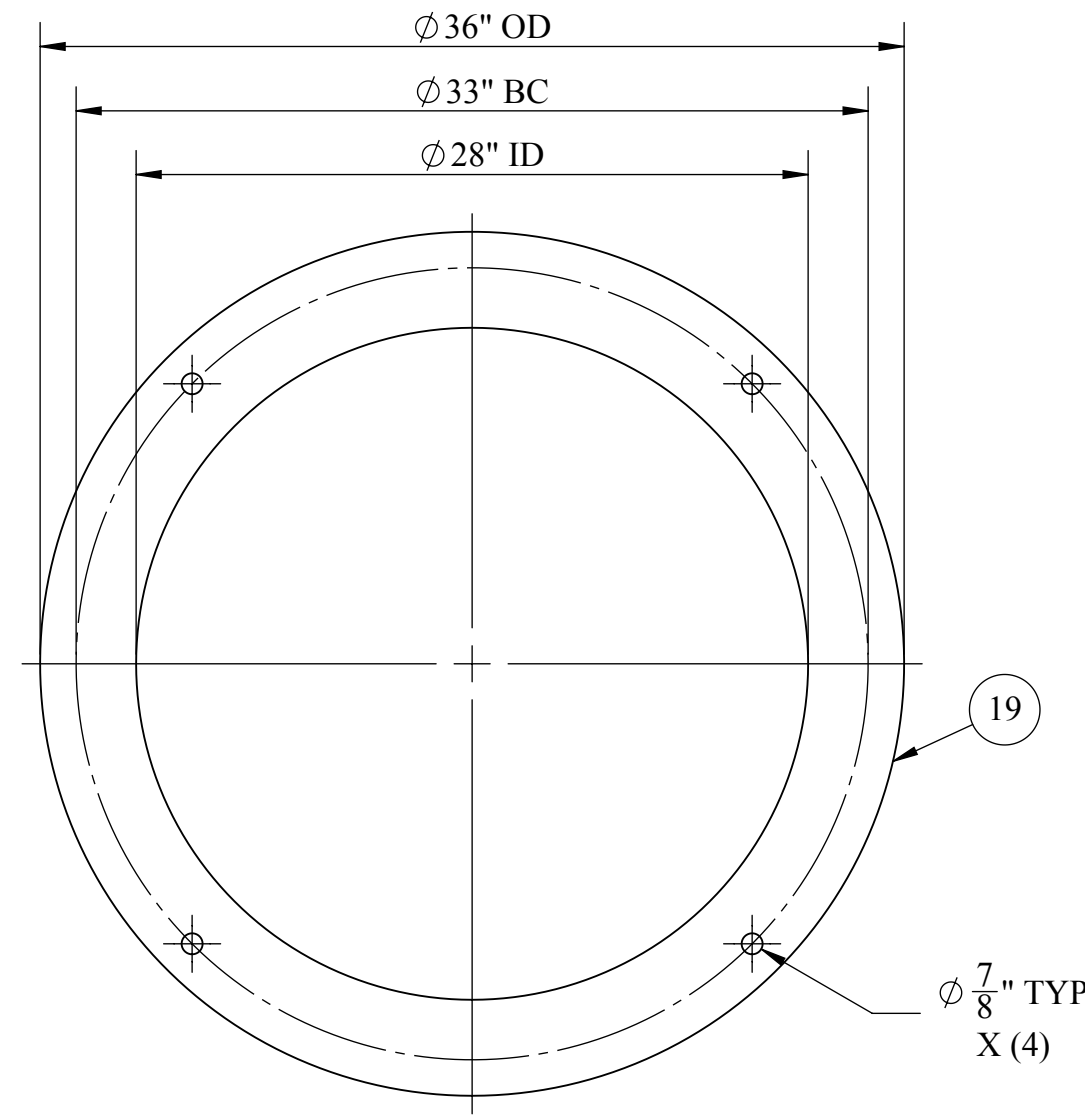
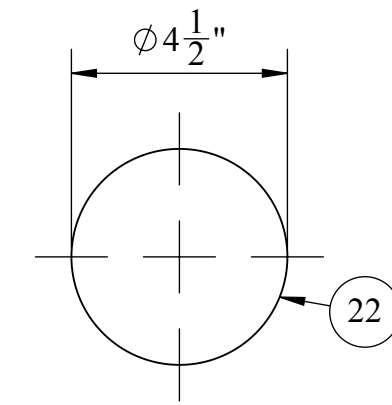


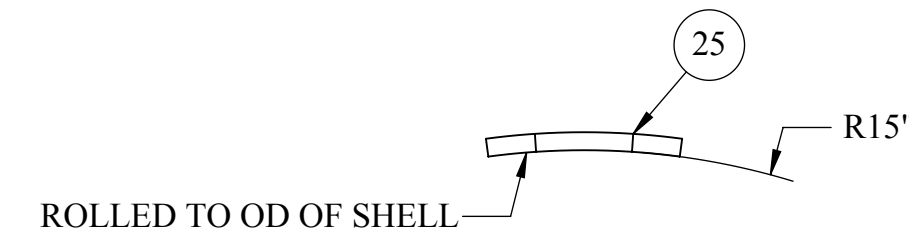
**BAFFLE PLATE DETAIL**  
SCALE: 1/4" = 1'



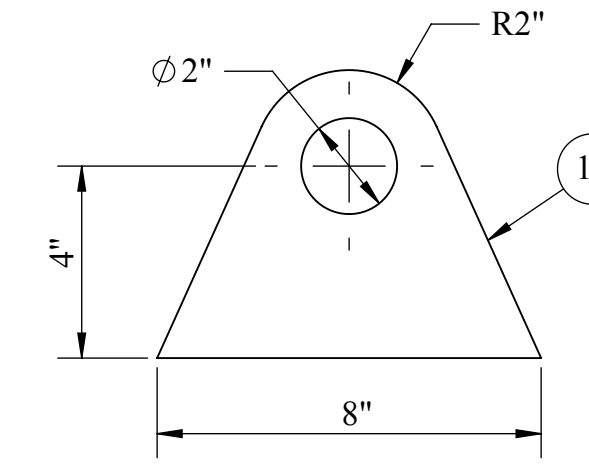
**BASE PLATE DETAIL**  
SCALE: 1/8" = 1'



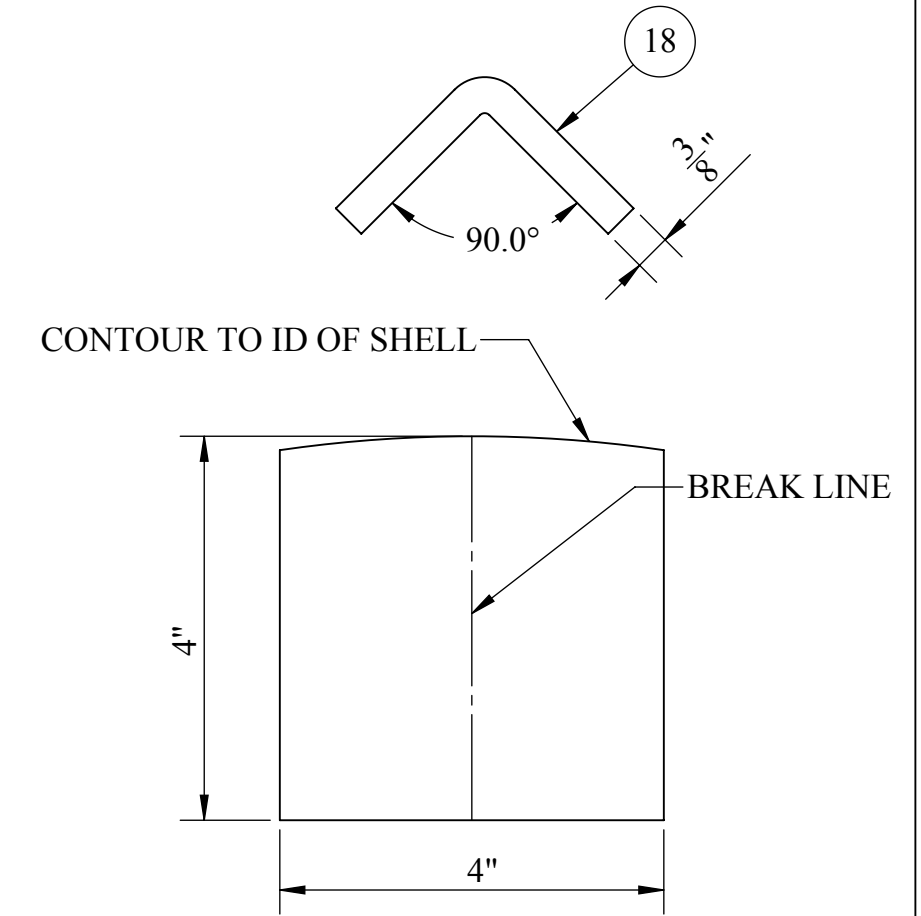
**INLET DEVERTER  
END PLATE DETAIL**  
SCALE: 1/4" = 1'



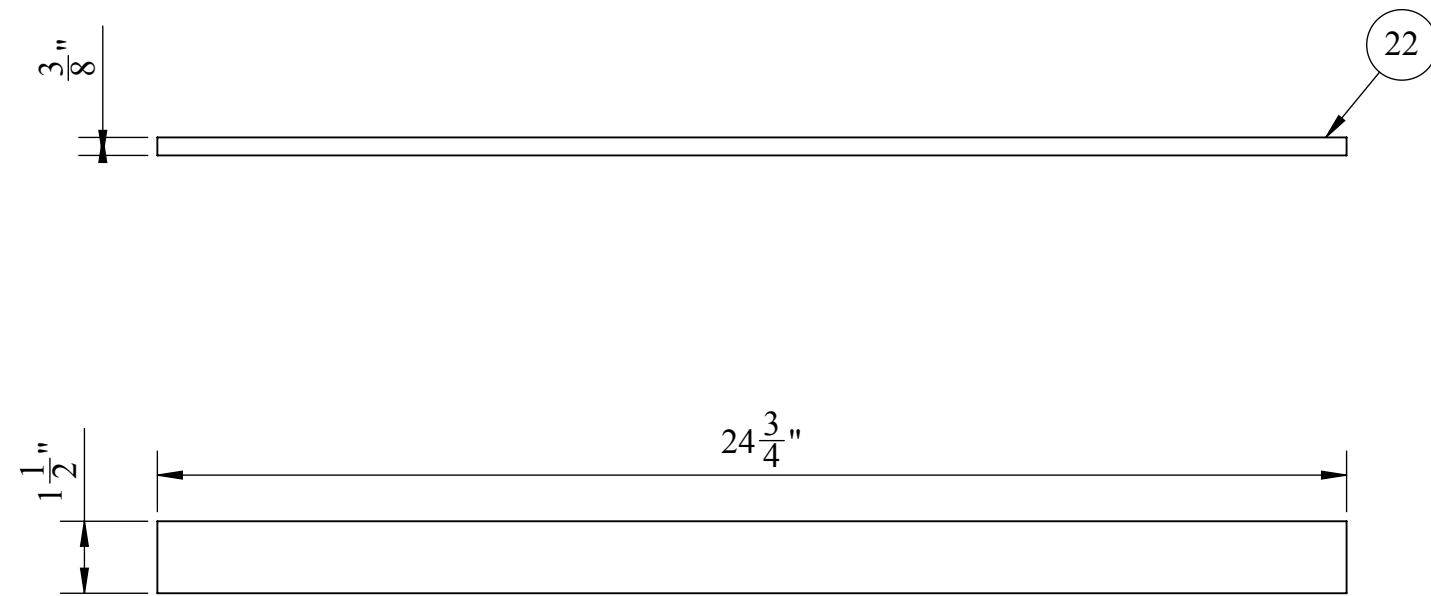
**SUPPORT REPAD  
PLATE DETAIL**  
SCALE: 1/4" = 1'



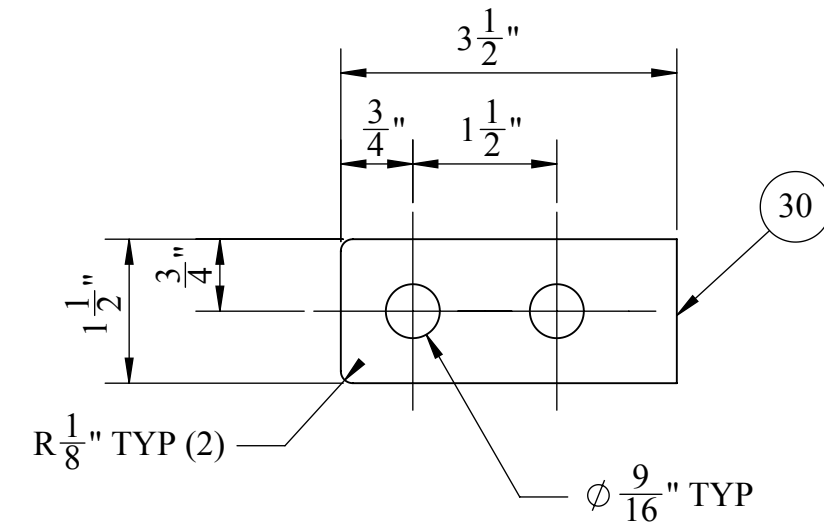
**LIFT LUG DETAIL**  
SCALE: 1/4" = 1'



**VORTEX BREAKER DETAIL**  
SCALE: 1/4" = 1'



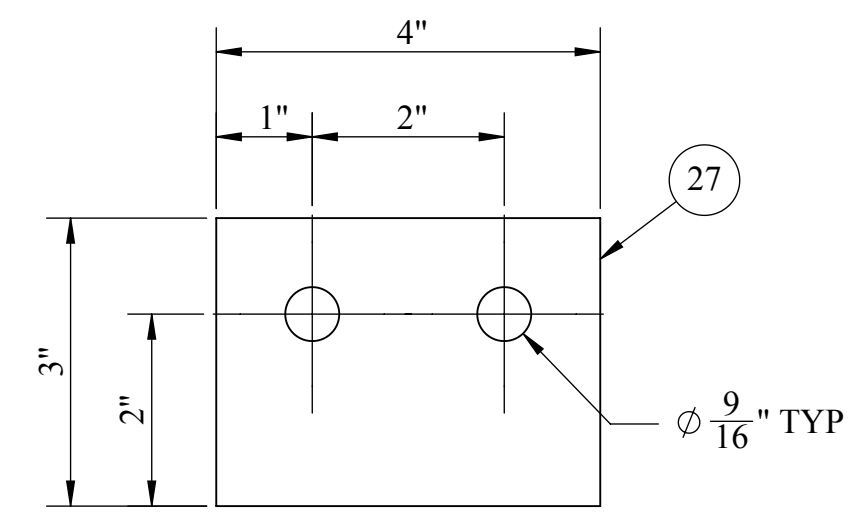
**MESH PAD SUPPORT DETAIL**  
SCALE: 1/4" = 1'



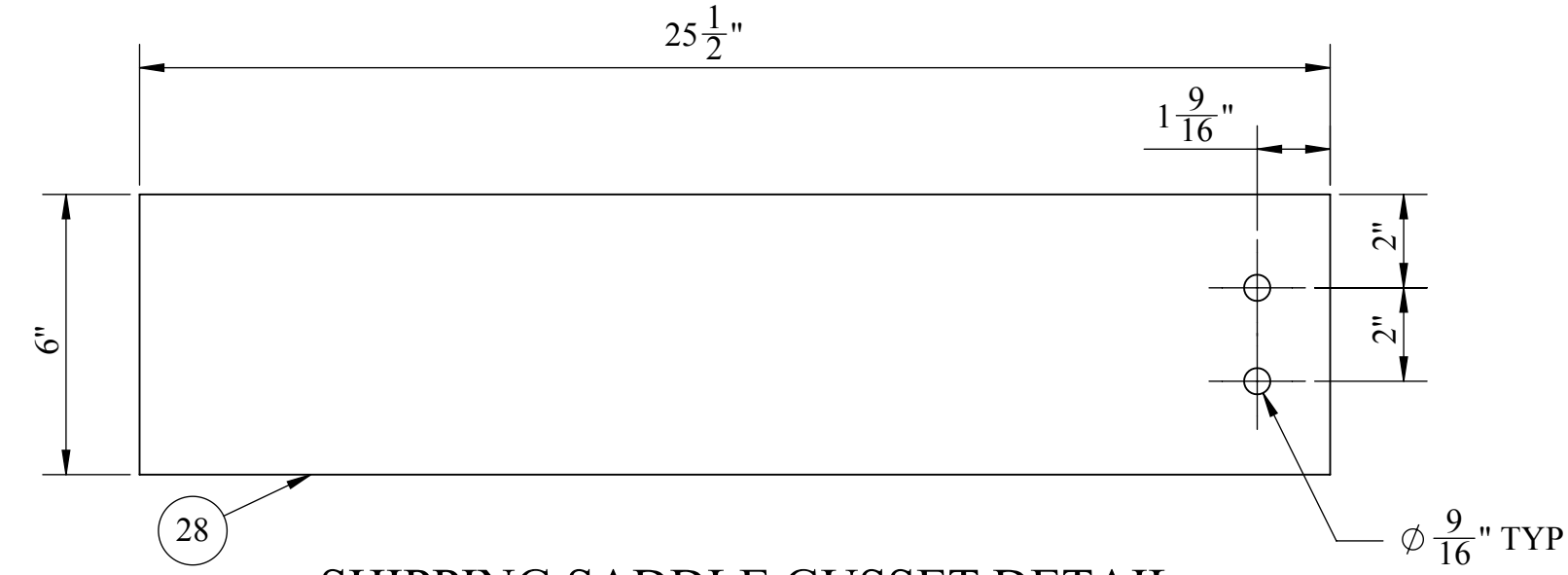
**SUPPORT CLIP DETAIL**  
SCALE: 1/2" = 1'



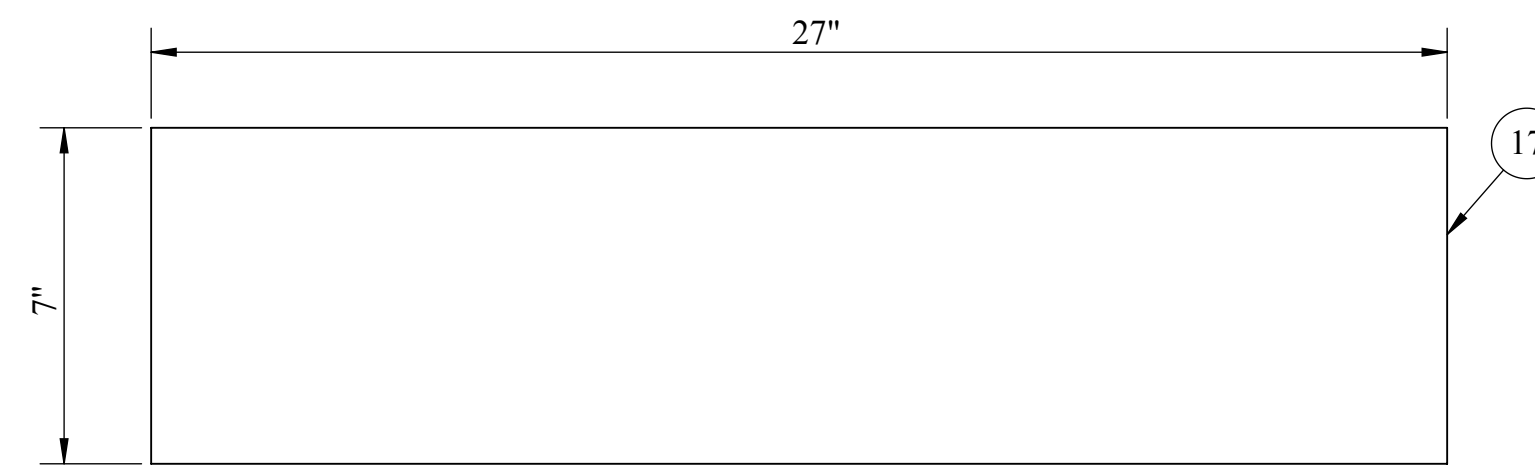
TITLE: <b>SEPARATOR / VERTICAL / 2-PHASE 30"OD X 10'-0" S/S 1427# / 1385# DP UNIFIED NACE SKIDDED UNIT</b>			
CUSTOMER: TITAN TANKS AND VESSELS		LOCATION: GAINESVILLE, TX	
DRAWN BY: M. Smith		DWG. NO. TTG-110006	
CHECK BY: R. Doverspike		SHEET 2 OF 4	
		SCALE: NOTED	REV. 2



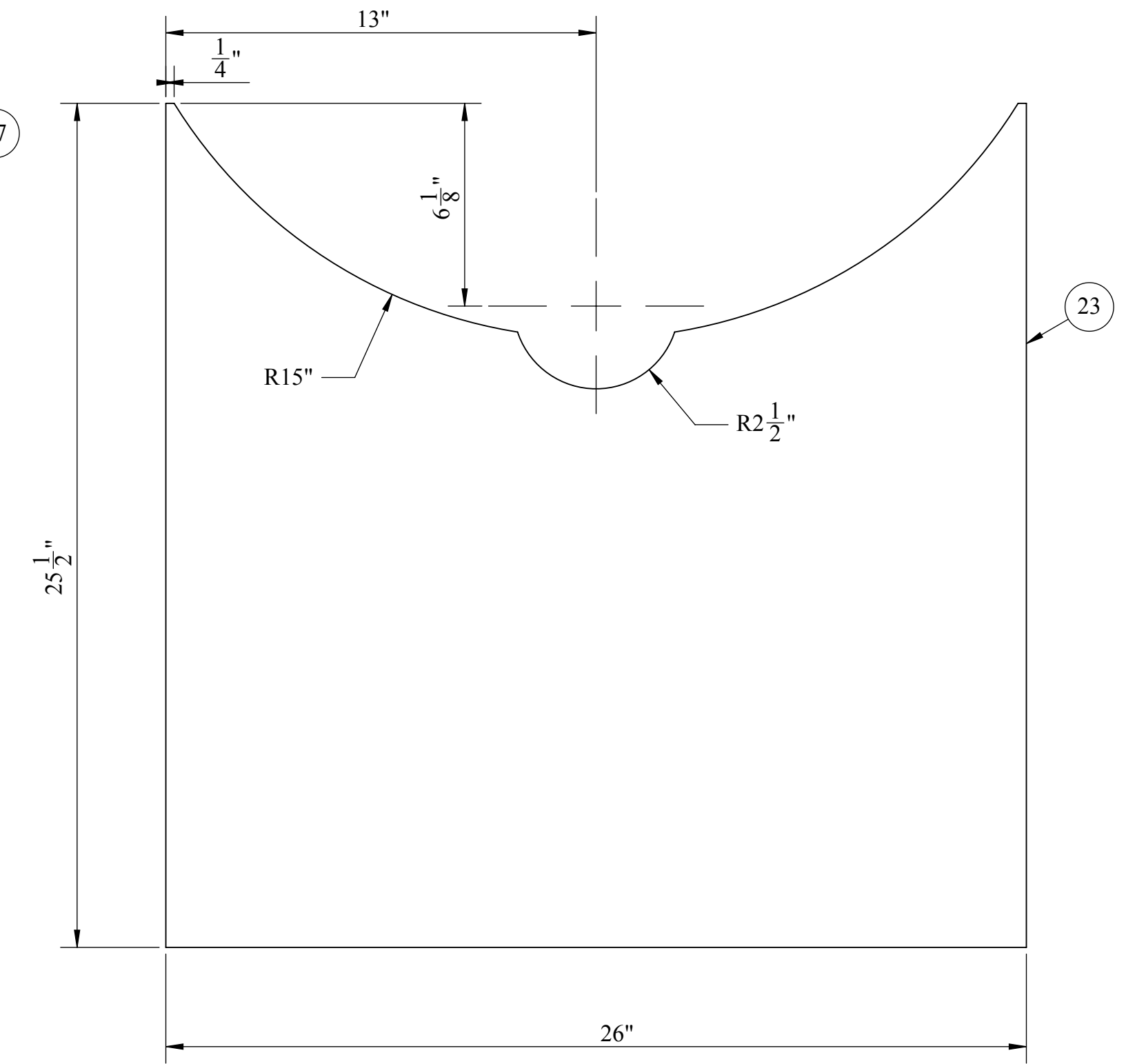
**SHIPPING SADDLE CLIP DETAIL**  
SCALE: 1/2" = 1'



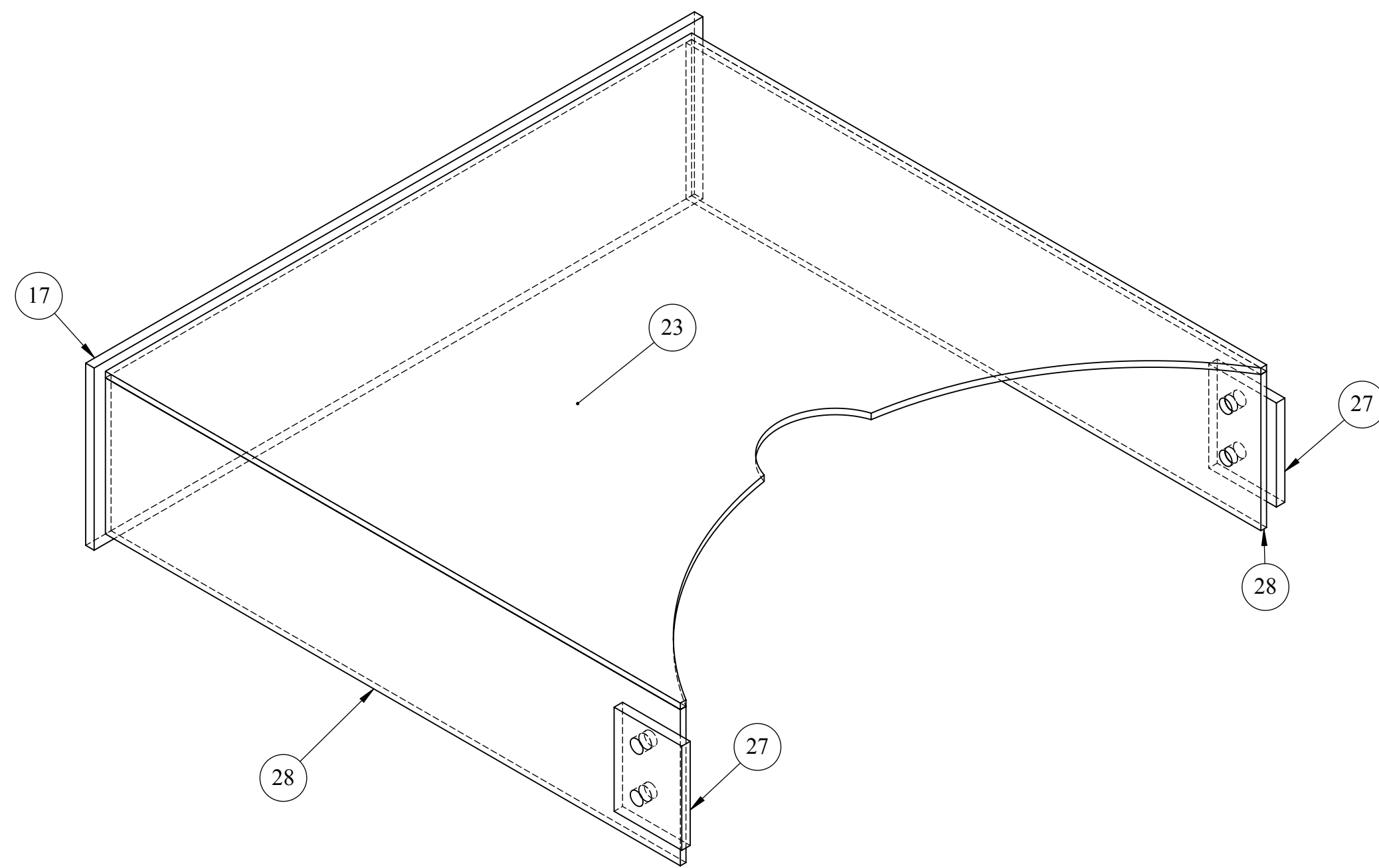
**SHIPPING SADDLE GUSSET DETAIL**  
SCALE: 1/4" = 1'



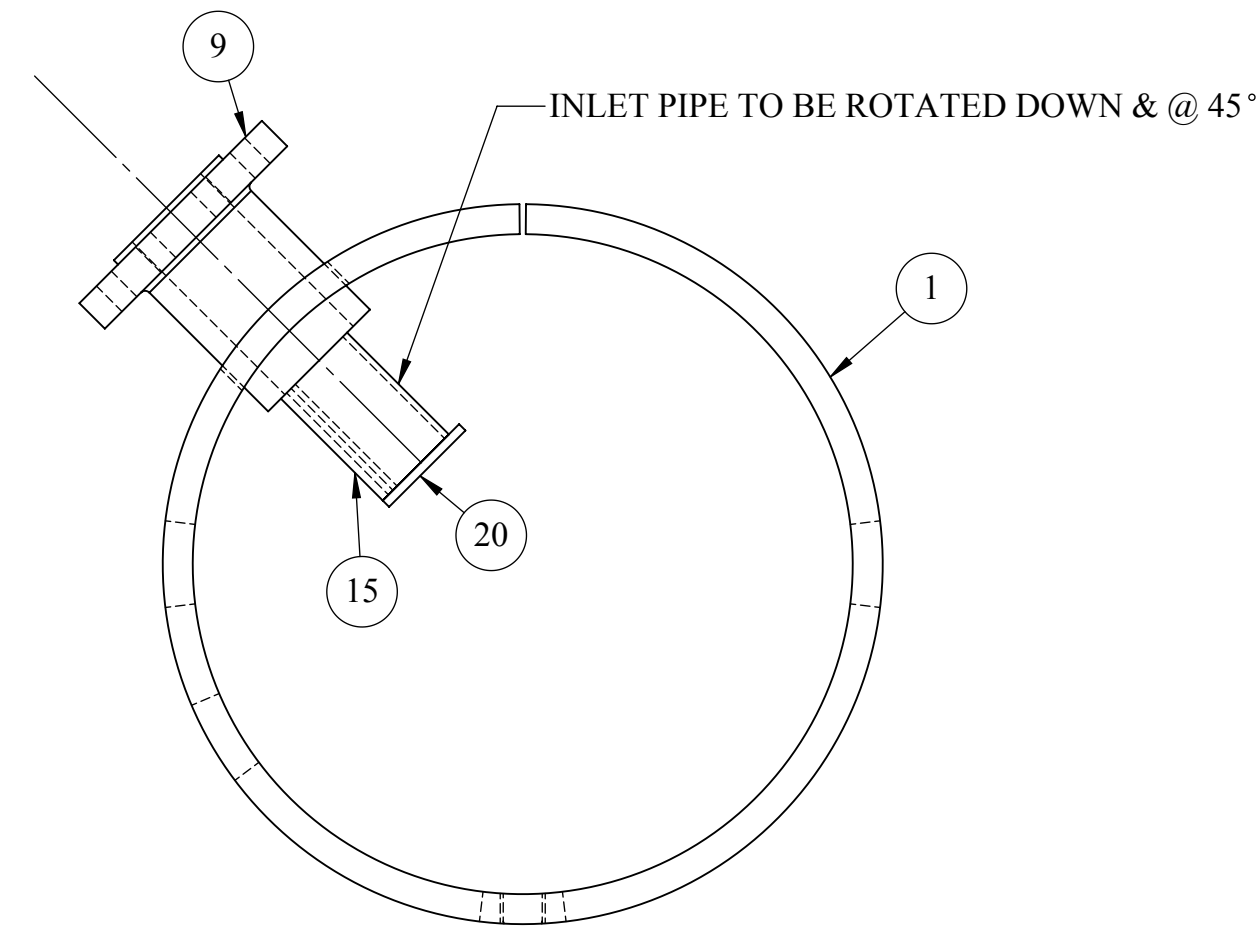
**SHIPPING SADDLE BASE PLATE DETAIL**  
SCALE: 1/4" = 1'



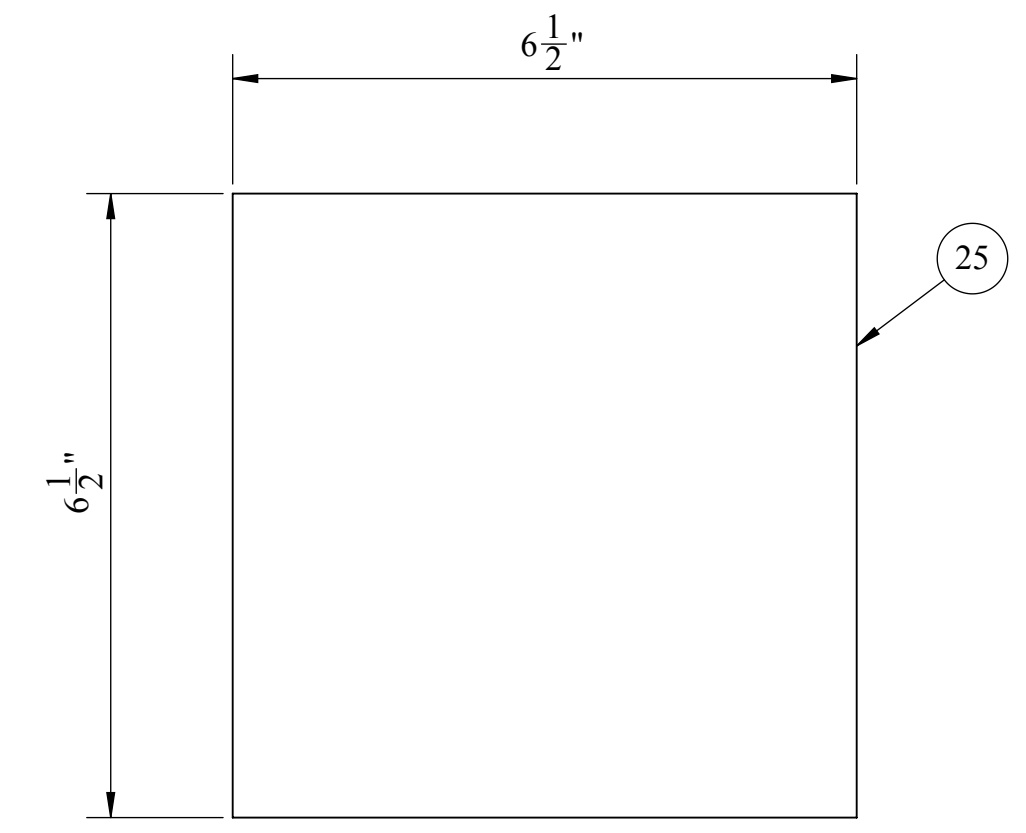
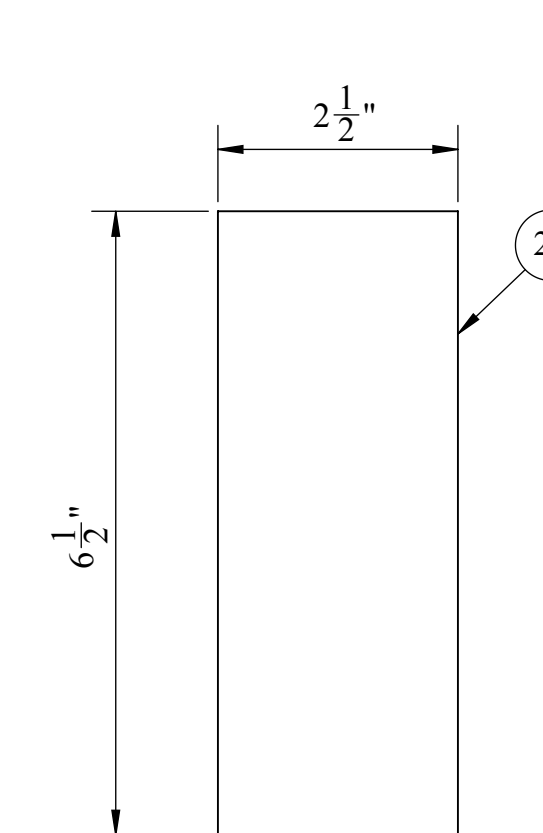
**SHIPPING SADDLE BACK PLATE DETAIL**  
SCALE: 1/4" = 1'



**SHIPPING SADDLE DETAIL**  
SCALE: 1/4" = 1'



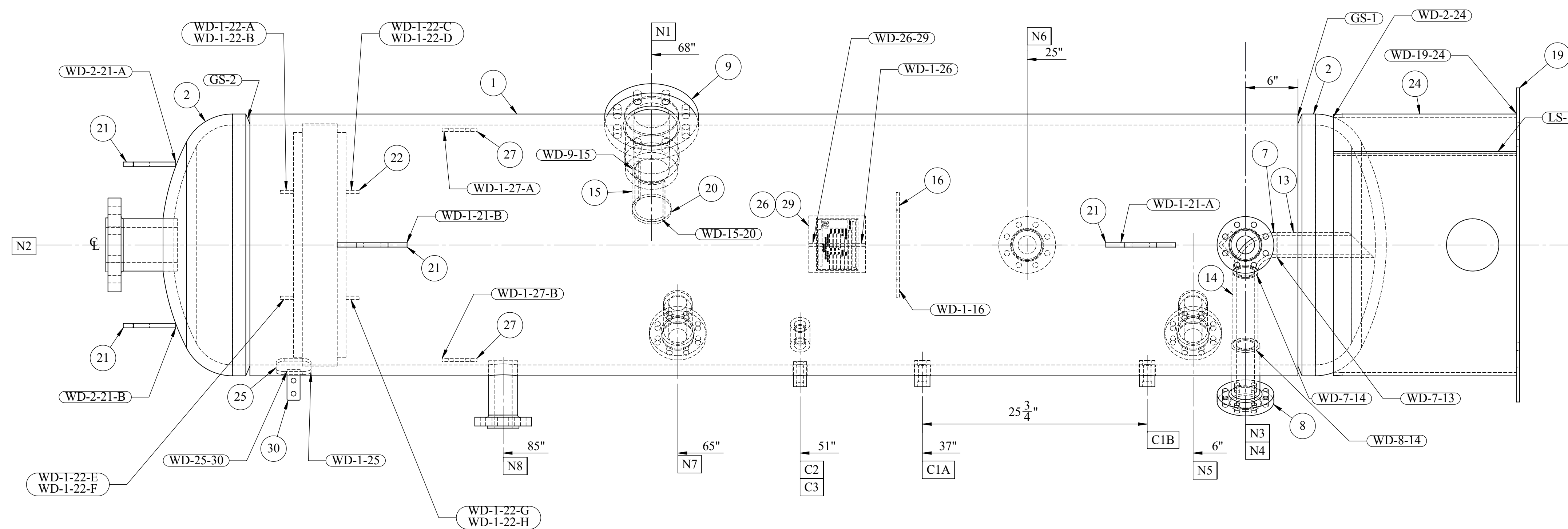
**INLET DEVERTER DETAIL**  
SCALE: 1/8" = 1'



**NAME PLATE BRACKET DETAIL**  
SCALE: 1/2" = 1'



TITLE: <b>SEPARATOR / VERTICAL / 2-PHASE 30"OD X 10'-0" S/S 1427# / 1385# DP UNIFIED NACE SKIDDED UNIT</b>			
CUSTOMER: TITAN TANKS AND VESSELS		LOCATION: GAINESVILLE, TX	
DRAWN BY: M. Smith		DWG. NO. TTG-110006	
CHECK BY: R. Doverspike		SHEET 3 OF 4	
		SCALE: NOTED	REV. 2



**WELD MAP**



TITLE: <b>SEPARATOR / VERTICAL / 2-PHASE 30"OD X 10'-0" S/S 1427# / 1385# DP UNIFIED SKIDDED UNIT</b>	
CUSTOMER: TITAN TANKS AND VESSELS	LOCATION: GAINESVILLE, TX
DRAWN BY: R. Doverspike	DWG. NO. TTG-110006
CHECK BY: R. Doverspike	SHEET 4 OF 4 SCALE: 1:24
	REV. 2