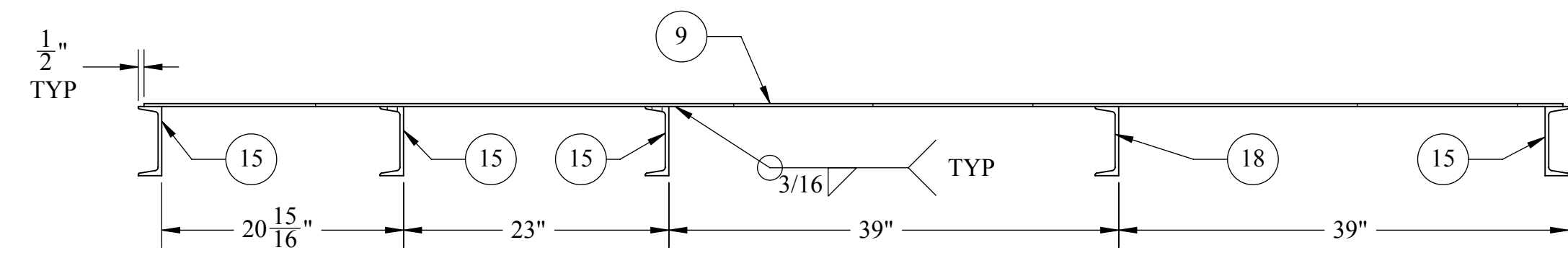


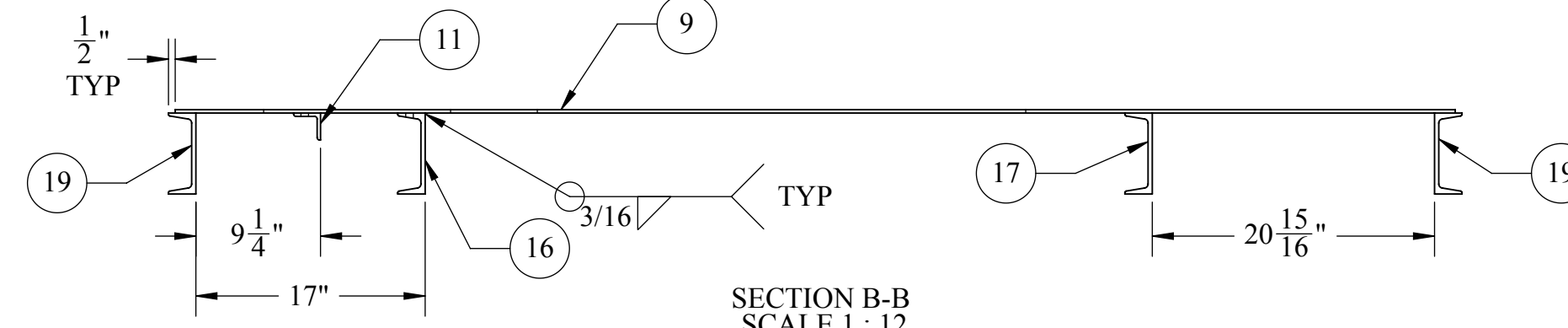
**TOP VIEW**



**SECTION A-A**  
SCALE 1 : 12  
(NOTE: OREINTATION OF CHANNEL)

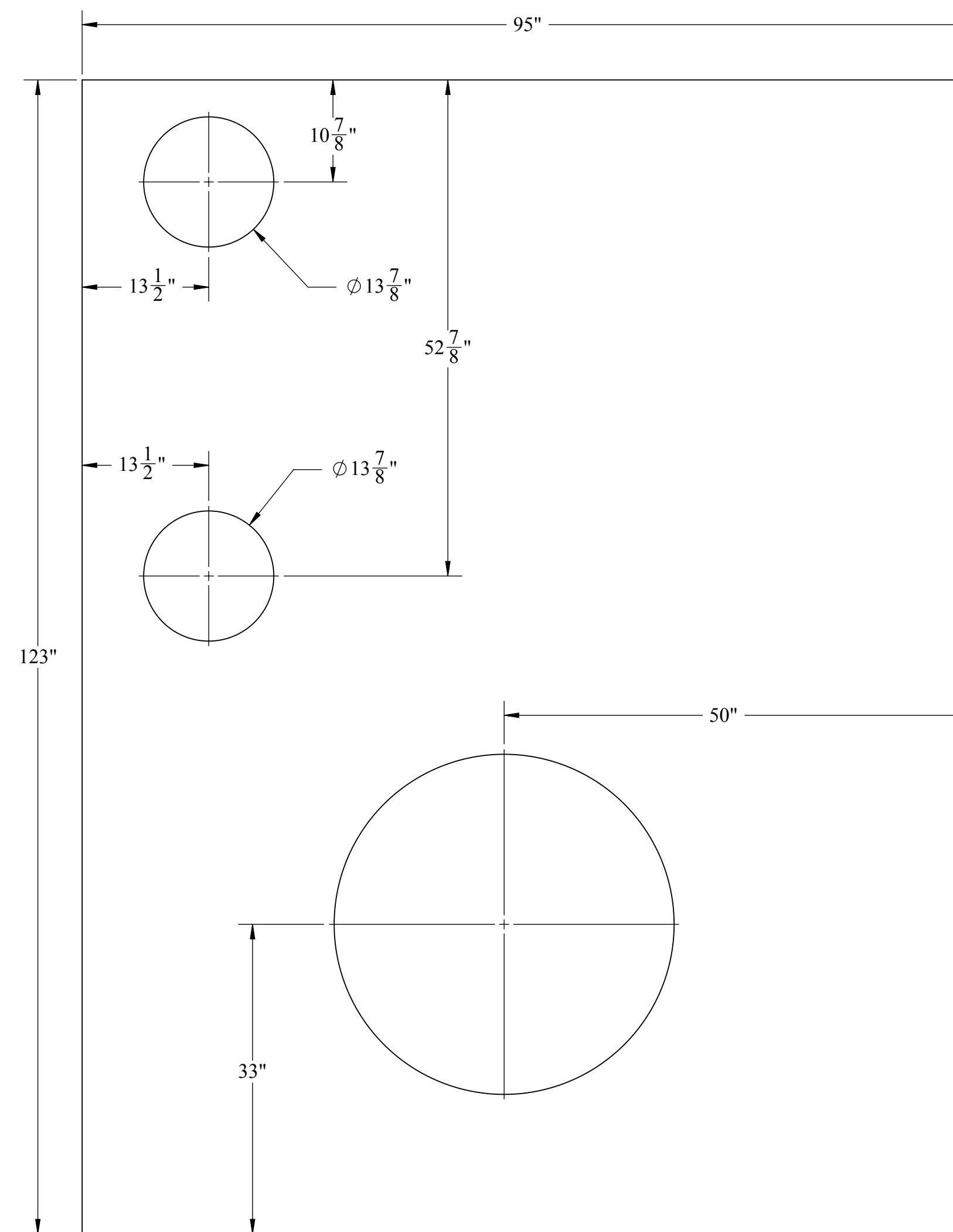
FIND NO.	PART NUMBER	QTY.	THK	WIDTH	LENGTH	DESCRIPTION	MATERIAL	UOM
19	KIT-02600010	2	-	-	124"	CHANNEL, C6 X 10.5#	SA-36	FT
18	KIT-02600010	1	-	-	74 15/16"	CHANNEL, C6 X 10.5#	SA-36	FT
17	KIT-02600010	1	-	-	36 15/16"	CHANNEL, C6 X 10.5#	SA-36	FT
16	KIT-02600010	1	-	-	75 15/16"	CHANNEL, C6 X 10.5#	SA-36	FT
15	KIT-02600010	4	-	-	91.93	CHANNEL, C6 X 10.5#	SA-36	FT
14	KIT-02600004	1	-	-	64"	CHANNEL, C4 X 5.4#	SA-36	FT
13	KIT-02600004	2	-	-	72"	CHANNEL, C4 X 5.4#	SA-36	FT
12	KIT-02400001	1	-	-	96"	ANGLE, 2" X 2" X 1/4" (SHOP TO CUT AS REQUIRED FOR SUPPORTS)	SA-36	FT
11	KIT-02400001	1	-	-	75 15/16"	ANGLE, 2" X 2" X 0.25	SA-36	FT
10	KIT-02400001	1	-	-	96"	ANGLE, 2" X 2" X 1/4" (SHOP TO CUT AS REQUIRED FOR SUPPORTS)	SA-36	FT
9	KIT 01600132	1	1/4"	95"	123"	PLATE/DIAMOND/FLOOR, 0.250"	SA-36	SF
8	06510002	1	-	-	-	NUT/HEX, 1/2" (13NC)	SA307-B	EA
7	06501068	1	-	-	-	BOLT/MACHINE/HEX, 1/2" x 1 1/2" LG. (13NC)	SA307-B	EA
6	03101003	2	-	-	-	LIFT LUG / PHOENIX, (MEDIUM LUG) SERIES 2-899-MIL 20,000 lbs, MAX	SA-105	EA
5	01600002	2	3/8"	5 1/2"	4 3/16"	PLATE / FLANGE BRACE, 4" 600#	SA-36	SF
4	01600002	1	3/8"	5 1/2"	23 15/16"	PLATE / FLANGE BRACE, 4" 600#	SA-36	SF
3	01600002	1	3/8"	6 5/16"	23 7/8"	PLATE / FLANGE BRACE, 4" 900#	SA-36	SF
2	01600002	4	3/8"	3 3/8"	2.5/8"	PLATE / FLANGE BRACE, 2" 600#	SA-36	SF
1	01600002	1	3/8"	3 3/8"	14 11/16"	PLATE / FLANGE BRACE, 2" 600#	SA-36	SF

**NOTE:**  
SHOP TO LOCATE ALL PIPING & FLANGE SUPPORT CLIPS.  
ALL U BOLTS ARE ACCOUNTED FOR ON ASSEMBLY DRAWING.  
CENTER GROUNDING LUG BETWEEN LIFT LUGS & SEAL WELD W/ 3/16 FILLET.

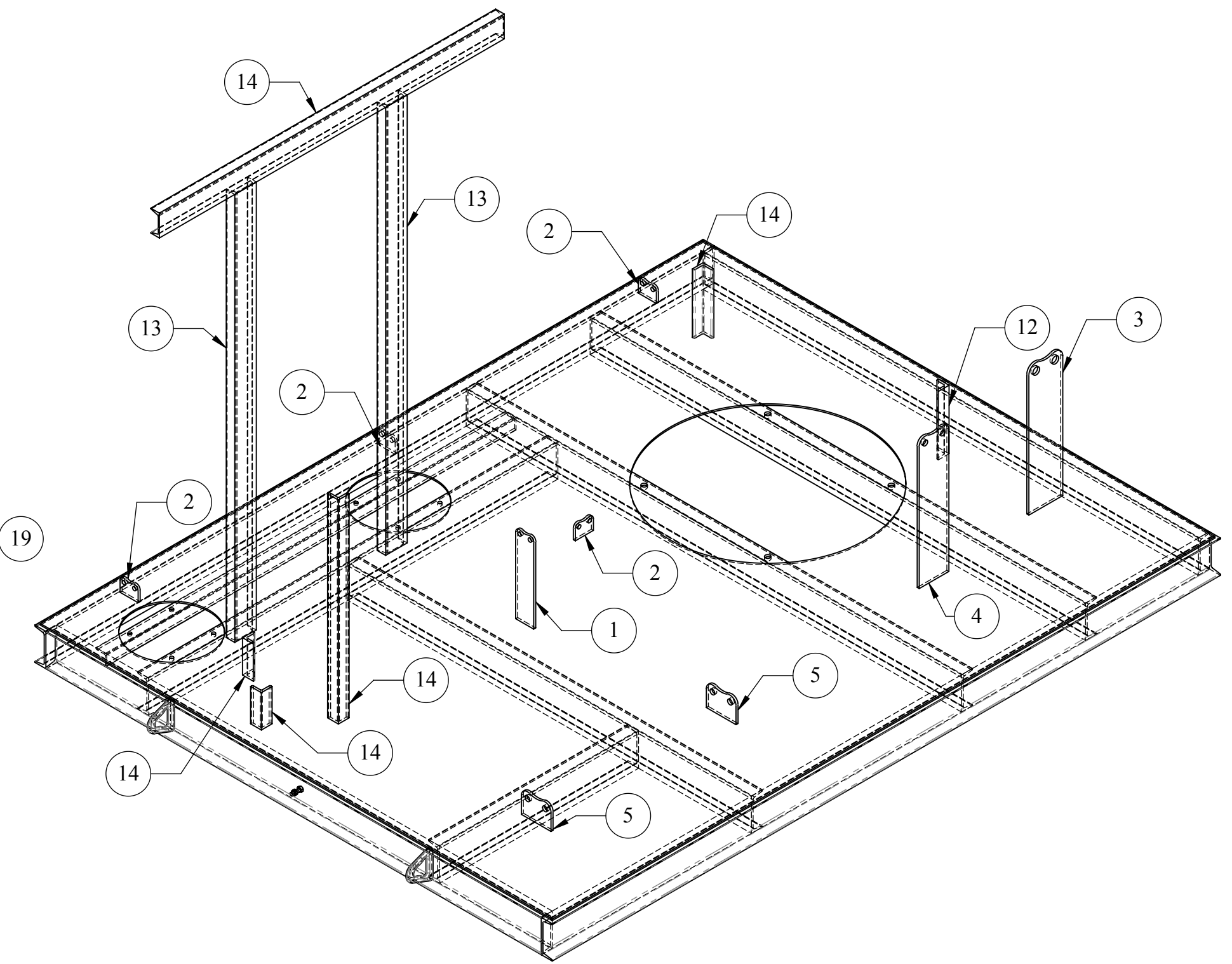


**SECTION B-B**  
SCALE 1 : 12

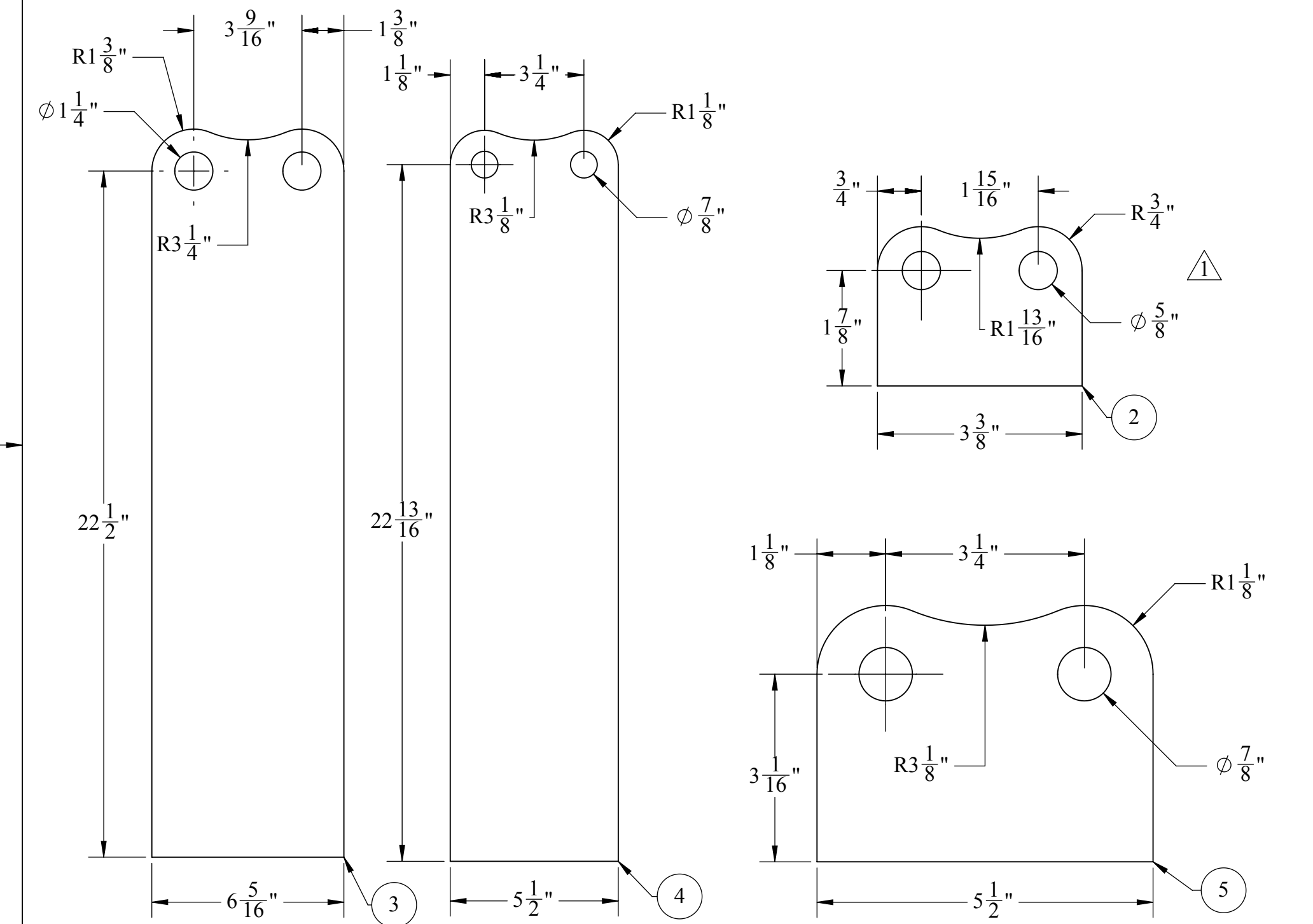
(NOTE: OREINTATION OF ANGLE & CHANNEL)



**DECK PLATE BOTTOM VIEW**



**ISO VIEW**



**FLANGE SUPPORT PLATES**  
SCALE: 1:4 & 1:2

REVISIONS				
REV.	DESCRIPTION	DATE	DESIGNER	CHECK BY
A	ISSUED FOR APPROVAL	3/8/2011	A.DETHLOFF	R.DOVERSPIKE
1	RELEASED FOR FABRICATION	4/22/2011	R.DOVERSPIKE	M.SMITH
1	REVISED TO ACCOMMODATE ASSEMBLY CHANGES	6/6/2011	A.DETHLOFF	R.DOVERSPIKE



TITLE: <b>SKID FOR UNIFIED UNIT</b> 30"OD X 10'-0" S/S 1385# / 1427# VERTICAL SEPARATOR	
CUSTOMER: TITAN TANKS AND VESSELS	LOCATION: GAINESVILLE, TX
DRAWN BY: ALLEN DETHLOFF	DWG. NO. TTG-110023
CHECK BY: RANDY DOVERSPIKE	SHEET 1 OF 1 SCALE: NOTED
	REV. 1