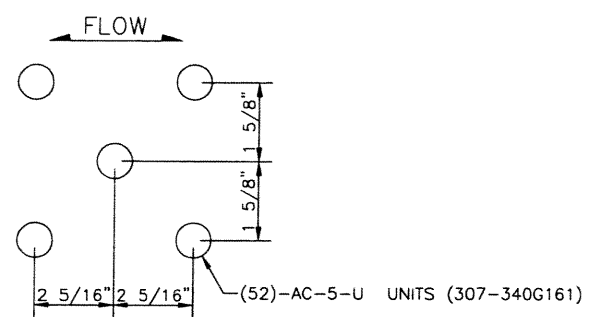
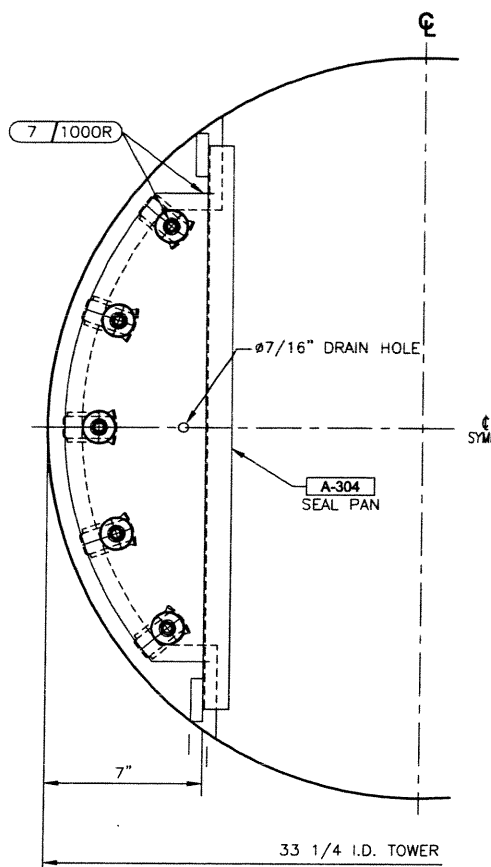
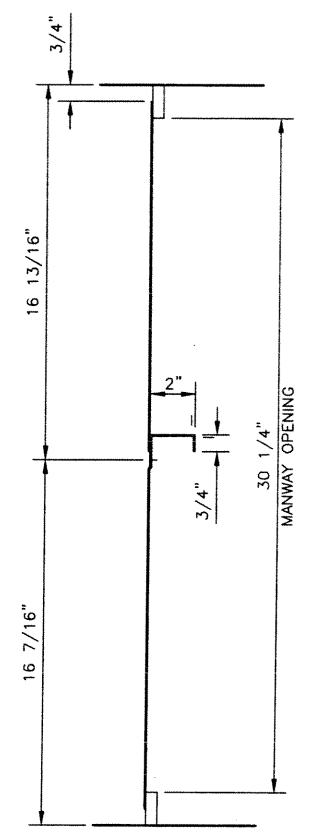
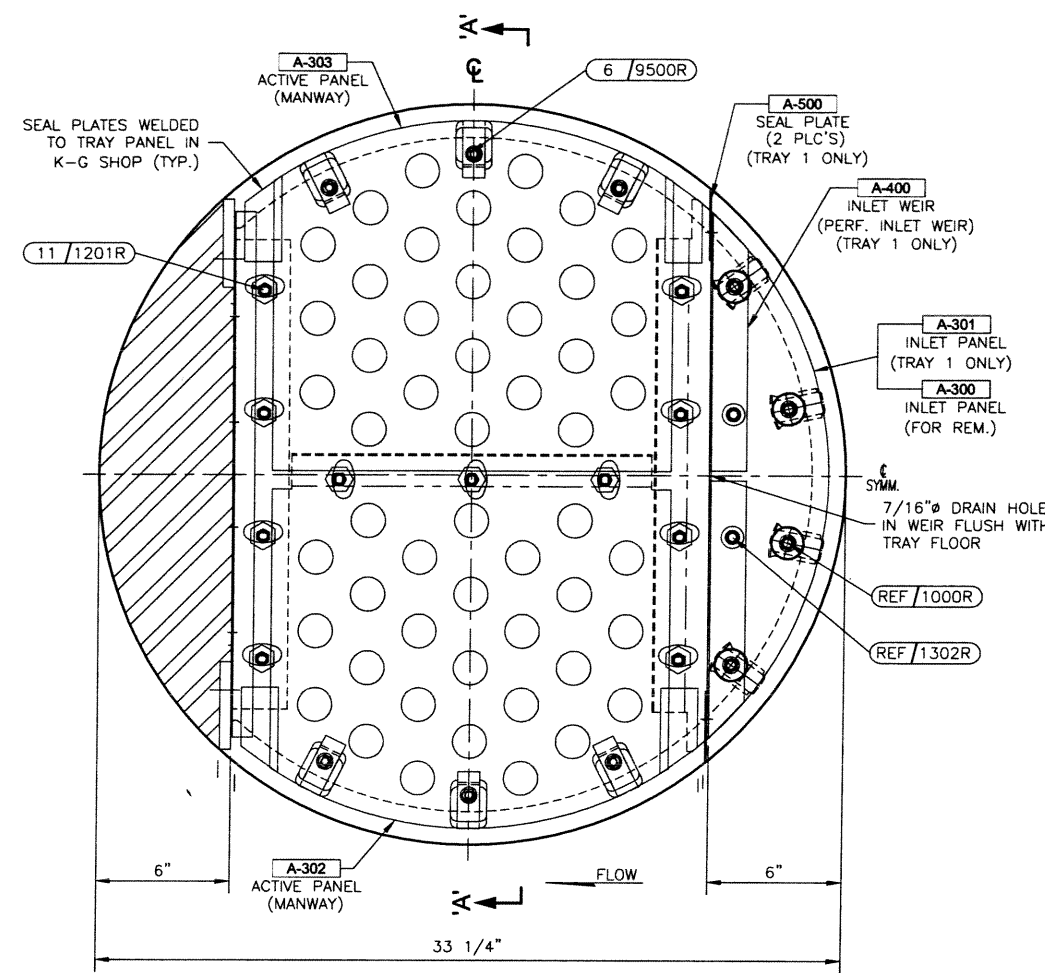


	ASSEMBLY 1000R
1 3/8 HEX NUT 891-340F01	
1 DOMED 1.5" OD. 802-340G101	
1 BTC 902-340G03	
1 3/8 X 2" BOLT 896-340F1108	
	ASSEMBLY 1201R
2 3/8 HEX NUT 891-340F01	
1 MW CLAMP(3/16") 860-340G4	
1 MW CLAMP(3/16") 861-340G1	
1 MW STUD (2") 865-340F11	
	ASSEMBLY 1301R
1 3/8 HEX NUT 891-340F01	
1 DOMED 1.5" OD. 802-340G101	
1 3/8 X 1" BOLT 896-340F1104	
	ASSEMBLY 1302R
1 3/8 HEX NUT 891-340F01	
1 WASHER 1" OD. 800-340G10801	
1 3/8 X 1" BOLT 896-340F1104	
	ASSEMBLY 1303R
1 3/8 HEX NUT 891-340F01	
1 DOMED 1.5" OD. 802-340G101	
1 3/8 X 2" BOLT 896-340F1108	
	ASSEMBLY 9500R
2 3/8 HEX NUT 891-340F01	
1 MW CLAMP# 45 863-340G2	
1 MW CLAMP# 40-F 864-340G206	
1 MW STUD (2") 865-340F11	



- NOTES**
- TOWER MANHOLE I.D. ACTUAL: 18"
 - PARTS SUPPLIED BY KOCH-GLITSCH ARE IDENTIFIED BY MARK # (E.G. A-301) ENCLOSED AS SHOWN [A-301].
 - BOLTING ASSEMBLIES ARE ENCLOSED THUS: QUANTITY PER TRAY: 101/1010R ASSEMBLY NUMBER
 - DIMENSIONS ARE GIVEN IN INCHES
 - ANY MODIFICATIONS BY CUSTOMER OR ANY THIRD PARTY TO THE EQUIPMENT SHOWN ON THIS DRAWING WITHOUT THE PRIOR WRITTEN APPROVAL OF KOCH-GLITSCH WILL VOID ALL EXPRESSED AND IMPLIED WARRANTIES, INCLUDING ANY IMPLIED WARRANTIES OF MERCHANTABILITY OR FITNESS FOR PURPOSE.
 - TRAYS ARE NUMBERED FROM TOP TO BOTTOM.
- REFERENCE DRAWINGS**
- DRAWING C05-12868-D215 FOR VESSEL ARRANGEMENT.
 DRAWING - FOR EQUIPMENT LOCATED ABOVE.
 DRAWING - FOR EQUIPMENT LOCATED BELOW.

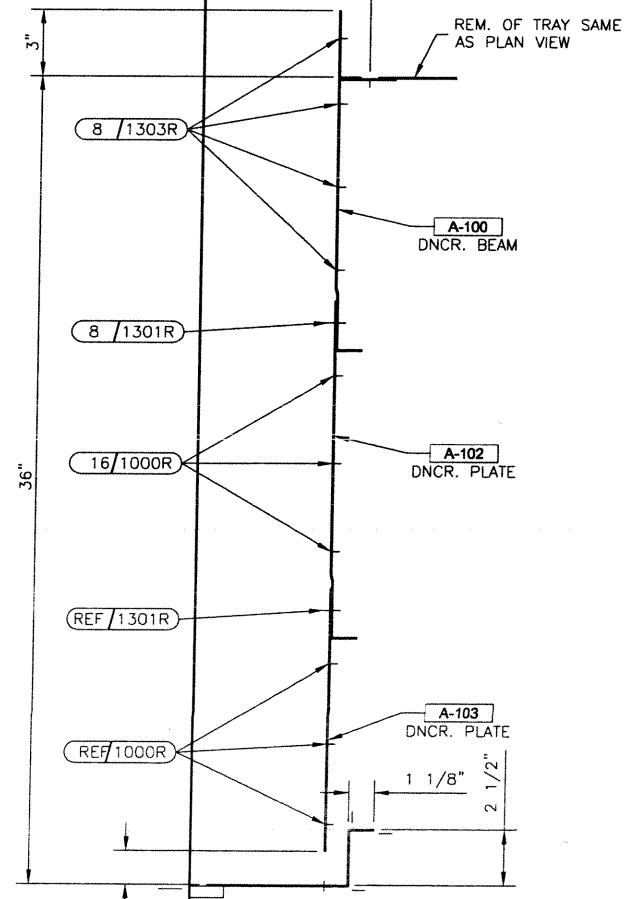
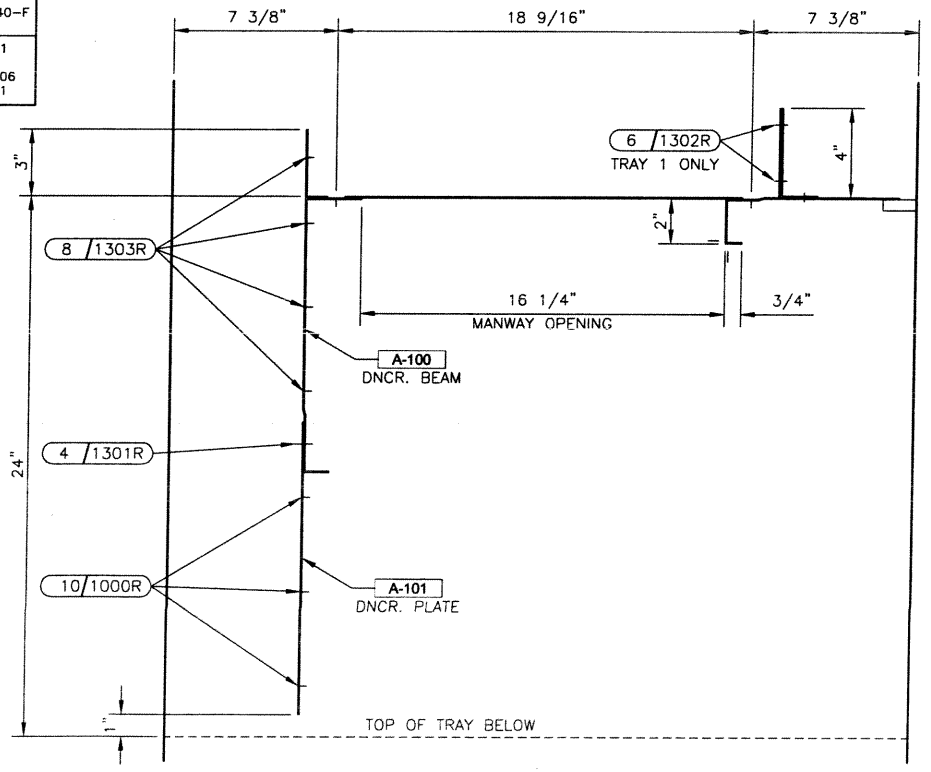
LIST OF MATERIAL		
DESCRIPTION	TYPE & THICKNESS	
ACTIVE AREA	PANEL	304L - 14GA.
	VALVE	304L - 16GA.
	HOLDDOWN	- - -
INLET PANEL		304L - 14GA.
BEAMS		- - -
DOWNCOMER	BEAM	304L - 14GA.
	PLATE	304L - 14GA.
SEAL PAN		304L - 14GA.
		- - -
BOLT		304L - 3/8"
NUT		304L - 3/8"
MISC. HARDWARE		304L - -
		- - -
TOWER ATTACHMENTS		C05-12868-D215
		- - -

TRAY DESIGN DATA			
UNIFORM LOAD	CONC. LOAD STRESS	-	
ACTIVE	INLET	DET.	
26	64	300 lbs	
#/Feet ²	#/Feet ²	DESIGN TEMP.	
		200° C	

EQUIPMENT DESCRIPTION			
QUAN	ITEM	DESCRIPTION	REMARKS
20	-	VALVE TRAYS 1-20	AS SHOWN & NOTED
1	-	SEAL PAN BELOW TRAY #20	AS SHOWN & NOTED
NO.	DESCRIPTION OF REVISION		CHG.BY/DATE
			APPROV

CUSTOMER'S IDENTIFICATION			
PURCHASED BY: ENERFLEX PRESSON			
P.O. NO.: P164173-B7227-21			
USER: FORT ENERGY		PLANT SITE: -	
SPEC. NO: KOCH-GLITSCH		REFERENCE: -	
TOWER SERVICE: AMINE CONTACTOR		PLANT SECTION: AMINE PLANT	

Koch-Glitsch		Koch-Glitsch Canada Ltd	
MASS TRANSFER TECHNOLOGY		CANADA / UXBRIDGE	
© 2002 KOCH-GLITSCH LP		MODEL: VLB-11000	
DRAWN BY: E.Y.		DATE: 27 JUL. 05	
CHECK BY: -		DATE: -	
PROCESS: -		DATE: -	
DRAWING ISSUE		TOWER I.D.	TOWER NO.
APPROVED FOR FABRICATION:		33 1/4"	C-300
BY: BOBV		DWG. NO.: C05-12868-D214	
DATE: -		SHT. 1 OF 2	



PLAN & SECTION VIEW FOR TRAYS 1-19
 ORIENTATION SHOWN IS FOR ODD TRAYS
 EVEN TRAYS ARE ROTATED 180°

PLAN & SECTION VIEW DOWNCOMER FOR TRAY #20 WITH SEAL PAN BELOW
 Presson Dwg # B7227-261 Sht 3 of 6

STATE OF MICHIGAN: I, JAMES H. COOPER, CLERK OF THE SUPREMACY COURT, DO HEREBY CERTIFY THAT THIS DOCUMENT IS THE PROPERTY OF KOCH-GLITSCH OR ITS AFFILIATES, AND HAS BEEN PROVIDED TO YOU BY KOCH-GLITSCH IN THE EVENT THAT THIS DOCUMENT OR ANY INFORMATION CONTAINED THEREIN IS INAPPROPRIATELY USED, DISCLOSED, OR OTHERWISE REPRODUCED, IN WHOLE OR IN PART, WITHOUT THE PRIOR WRITTEN PERMISSION OF KOCH-GLITSCH.

34877 ENERFLEX PRESSON
C05-12868-D214
INSTALLATION DRAWING

PARTS LIST

MARK NO.	DESCRIPTION	THK. (GA. / MM)	MAT'L.	QTY.	TRAY 1		TRAY 2-19		TRAY 20		SEAL PAN BELOW TRAY 20					
					(1)	(18)	(1)	(1)								
A-100	DOWNCOMER BEAM	14 GA.	304L	20	1	1	1									
A-101	DOWNCOMER PLATE	14 GA.	304L	19	1	1										
A-102	DOWNCOMER PLATE	14 GA.	304L	1					1							
A-103	DOWNCOMER PLATE	14 GA.	304L	1					1							
A-300	INLET PANEL	14 GA.	304L	19		1	1									
A-301	INLET PANEL	14 GA.	304L	1	1											
A-302	ACTIVE PANEL MANWAY	14 GA.	304L	20	1	1	1									
A-303	ACTIVE PANEL MANWAY	14 GA.	304L	20	1	1	1									
A-304	SEAL PAN	14 GA.	304L	1						1						
A-400	INLET WEIR	14 GA.	304L	1	1											
A-500	SEAL PLATE	14 GA.	304L	2	2											

HARDWARE LIST

HARDWARE NO.	DESCRIPTION	MAT'L.	TOTAL QUAN.	SPARE	NET	TRAY 1		TRAY 2-19		TRAY 20		SEAL PAN BELOW TRAY 20				
						(1)	(18)	(1)	(1)							
800-340G010801	WASH 304L 11 X 25 14G	304L	7	1	6	6										
802-340G101	WASH-DM 304L 11 X 38 14G	304L	481	24	457	22	22	32				7				
860-340G4	C#MVL3 304L	304L	232	12	220	11	11	11								
861-340G1	C#MVL20 304L	304L	232	12	220	11	11	11								
863-340G2	C#MVL45 304L	304L	127	7	120	6	6	6								
864-340G206	C#MVL40F 304L 12G	304L	127	7	120	6	6	6								
865-340F11	STUD-MVL#5 304L	304L	358	18	340	17	17	17								
891-340F01	NUT 304L 3/8	304L	1201	58	1143	62	56	66				7				
896-340F1104	BOLT-FT 304L 3/8 X 1	304L	95	5	90	10	4	8								
896-340F1108	BOLT-FT 304L 3/8 X 2	304L	393	20	373	18	18	24				7				
902-340G03	C#Y 304L 2.5MM	304L	225	12	213	10	10	16				7				

STANDARD / MISCELLANEOUS ITEMS

307-340G161	VALVE-ACU 304L 16GA (SHIP LOOSE)	304L	32	32												
-------------	------------------------------------	------	----	----	--	--	--	--	--	--	--	--	--	--	--	--

FIXED HARDWARE / ITEMS

307-340G161	VALVE-ACU 304L 16G	304L	1040	1040	52	52	52									
-------------	--------------------	------	------	------	----	----	----	--	--	--	--	--	--	--	--	--

REVISIONS

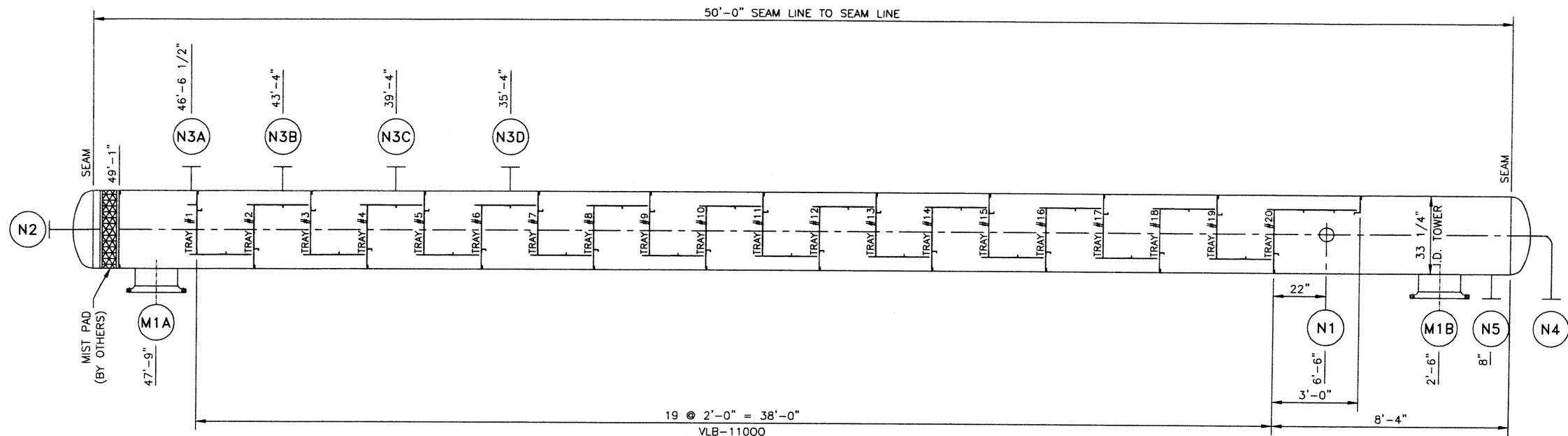
NO.	REVISION DESCRIPTION	REV. BY:	DATE:

Spare hardware quantities listed provide a reasonable allowance for loss or damage during the installation process or tolerances due to counting system. The quantities are not intended to serve as operational spares or for use in other applications. It is the responsibility of the installer to prevent excessive loss or mis-application of hardware items.

KOCH-GLITSCH Mass Transfer

KOCH - GLITSCH Mass Transfer - PARTS and ASSEMBLIES Sheet

PURCHASED BY: ENERFLEX PRESSON P.O. NO.: P164173-B7227-21 SPEC. NO.: KOCH-GLITSCH USER: FORT ENERGY PLANT SITE: - PLANT SECTION: AMINE PLANT TOWER SERVICE: AMINE CONTACTOR VESSEL NO.: C-300	ISSUED: BY: EY DATE: JUL-27-05 DRAWING ISSUED	SALES ORDER NO.: 25-12868-ENP-32 DRAWING NO.: CO5-12868-D214 WORK ORDER NO.: 34877
	APPROVED FOR FABRICATION: BY: BOBY DATE: JUL-27-05	CERTIFIED FINAL AS FABRICATED: BY: DATE:

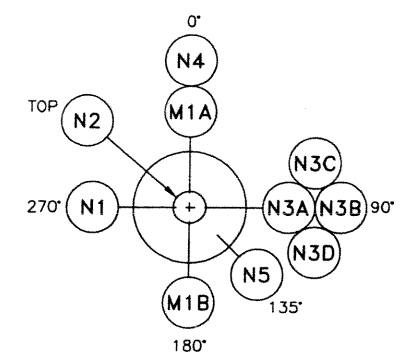


VLB-11000
C05-12868-D214
TRAYS 1-20

NOTE:
ALL DIM'S ARE FROM SEAM LINE
& TO TOP OF SUPPORT RING
OR NOZZLE C.L.

ELEVATION

NOZZLE ORIENTATIONS



NOZZLE DESCRIPTIONS

NOZZLE	SIZE	SERVICE
N1	6"	INLET
N2	6"	GAS OUTLET
N3 A/D	3"	AMINE INLET
N4	2"	DRAIN
N5	4"	AMINE OUTLET
M1 A/B	18"	MANWAY

GENERAL NOTES

KOCH-GLITSCH PROVIDES THIS DRAWING SOLELY FOR BUYER'S CONVENIENCE IN DESIGNING AND FABRICATING PARTS TO MATCH EQUIPMENT FURNISHED BY KOCH-GLITSCH. BUYER IS SOLELY RESPONSIBLE FOR PROVIDING CORROSION AND OTHER ALLOWANCES THAT MAY BE REQUIRED FOR SPECIFIC PROCESS OR MECHANICAL CONSIDERATIONS WHETHER OR NOT SUCH PROCESSES OR CONSIDERATIONS HAVE BEEN COMMUNICATED TO KOCH-GLITSCH.

ELEVATION AND ORIENTATION PICTURES ARE SCHEMATIC REPRESENTATIONS OF EQUIPMENT AND DO NOT INDICATE THE ACTUAL DESIGNS. SEE EQUIPMENT DRAWINGS FOR ACTUAL DESIGNS.

NO.	DESCRIPTION OF REVISION	CHG.BY/DATE	APPVD
-	-	-	-

CUSTOMER'S IDENTIFICATION

PURCHASED BY: ENERFLEX PRESSION
P.O. NO.: P164173-B7227-21
USER: FORT ENERGY
SPEC. NO: KOCH-GLITSCH
TOWER SERVICE: AMINE CONTACTOR

PLANT SITE: -
REFERENCE: -
PLANT SECTION: AMINE PLANT

KOCH-GLITSCH
MASS TRANSFER TECHNOLOGY
© 2002 KOCH-GLITSCH LP

KOCH-GLITSCH CANADA LTD
CANADA / UXBRIDGE

MODEL: ELV
VESSEL ARRANGEMENT

DRAWN BY: E.Y. DATE: 27 JUL. 05
CHECK BY: - DATE: -
PROCESS: - DATE: -

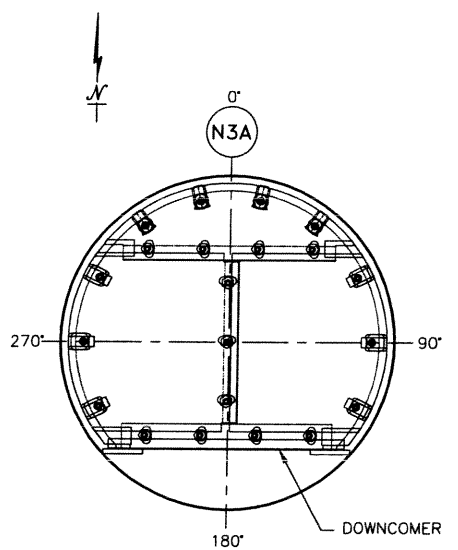
SALES ORDER NO.: 25-12868-ENP-32
PART NO.: -
WORK ORDER NO.: 34878

APPROVED FOR FABRICATION:
BY: BOBV
DATE: -

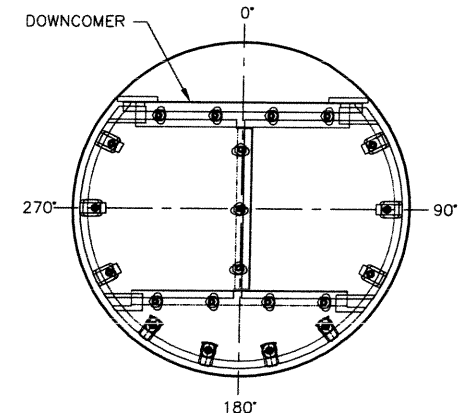
CERTIFIED FINAL
BY: -
DATE: -

TOWER I.D.: 33 1/4"
TOWER NO.: C-300

DWG. NO.: C05-12868-D215
SHT. 1 OF 2



VALVE TRAYS
C05-12868-D214
ODD TRAYS 1-19



VALVE TRAYS
C05-12868-D214
EVEN TRAYS 2-20

EQUIPMENT ORIENTATION

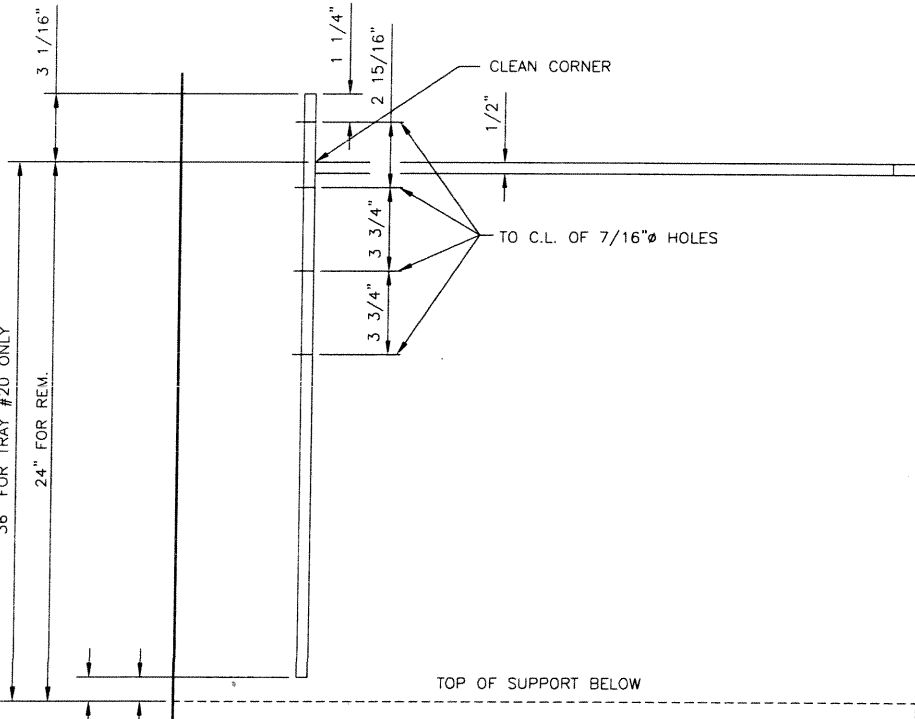
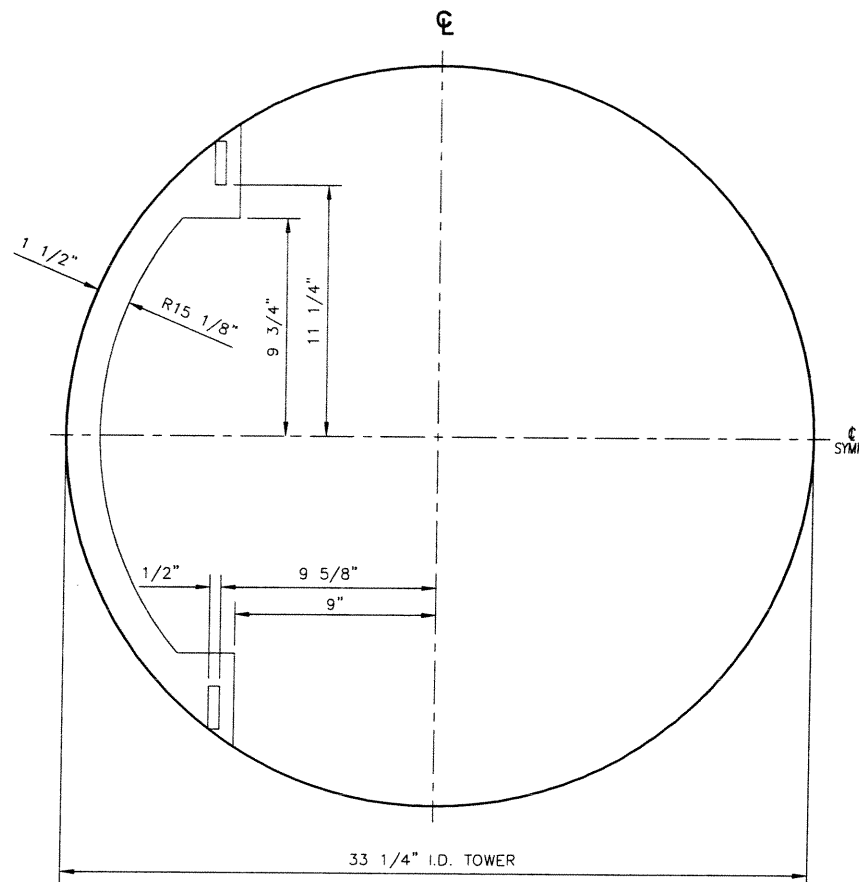
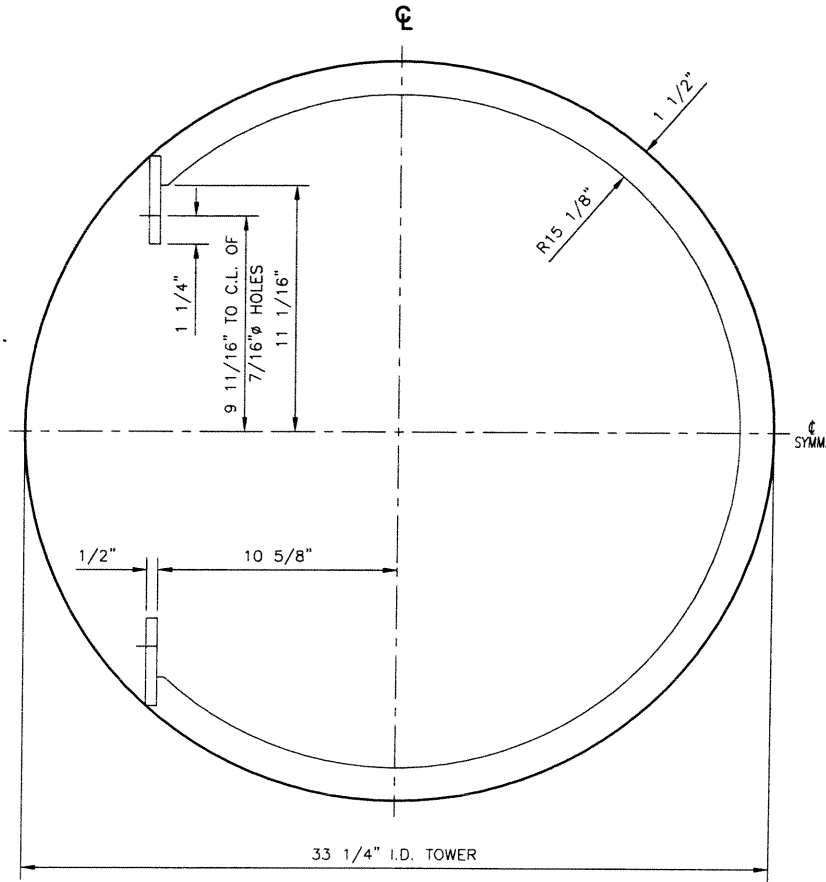
KOCH-GLITSCH EQUIPMENT AND PROCESSES MAY BE COVERED BY VARIOUS UNITED STATES AND FOREIGN PATENTS AND PENDING PATENT APPLICATIONS. THE DESIGN AND INFORMATION CONTAINED HEREIN IS THE CONFIDENTIAL AND PROPRIETARY PROPERTY OF KOCH-GLITSCH OR ITS AFFILIATES, AND HAS BEEN PROVIDED TO YOU BY PERMIT OF KOCH-GLITSCH. THIS DOCUMENT IS NOT TO BE REPRODUCED, COPIED, PHOTOCOPIED, OR TRANSMITTED IN ANY FORM OR BY ANY MEANS, ELECTRONIC OR MECHANICAL, INCLUDING PHOTOCOPYING, RECORDING, OR BY ANY INFORMATION STORAGE AND RETRIEVAL SYSTEM, WITHOUT THE PRIOR WRITTEN PERMISSION OF KOCH-GLITSCH. THIS DOCUMENT (INCLUDING ANY COPIES) WILL BE MAILED TO YOU AT THE ADDRESS LISTED BELOW.

C05-12868-D215

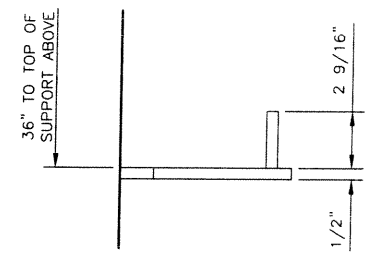
34878

ENERFLEX PRESSION

INSTALLATION DRAWING



20 ASSEMBLIES REQUIRED AS SHOWN & NOTED FOR TRAYS 1-20

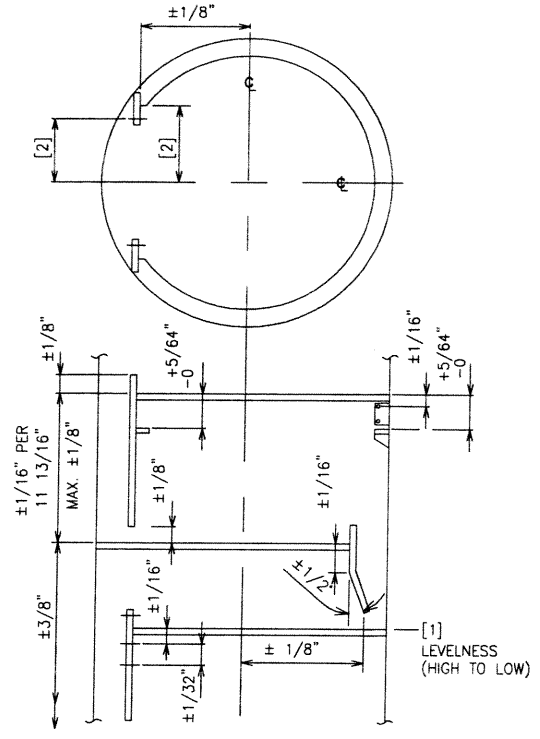


ONE ASSEMBLY REQUIRED AS SHOWN & NOTED FOR SEAL PAN BELOW TRAY #20

NOTE:
ALL PARTS SHOWN ON THIS SHEET ARE SUPPLIED BY OTHERS

LIST OF MATERIAL	
DESCRIPTION	TYPE & THICKNESS
SUPPORT RING	1/2" - BY OTHERS
BOLT / CLAMPING BAR	1/2" - BY OTHERS
-	-
-	-

TOLERANCES (UNLESS OTHERWISE NOTED ON THE DRAWING)



TOWER INSIDE DIAMETER				
NO.	0 TO 96"	OVER 96" TO 216"	OVER 216" TO 336"	OVER 336"
[1]	5/64"	5/32"	1/4"	5/16"
[2]	±1/4"	±1/2"	±3/4"	±1"

- OTHER TOLERANCES: * UNLESS OTHERWISE SPECIFIED
- TILT OF TRAY SUPPT RING OVER ITS WIDTH SHALL NOT EXCEED ±1"
 - RING FLATNESS DEFECTS OVER ANY 12" CHORD 1/16"
 - ORIENTATION MAXIMUM OFFSET FROM TRUE SHELL CENTERLINE 1/4"
 - OUT OF ROUNDNESS AND STRAPPING AS PER ASME CODE

NOTES

- TOWER MANHOLE I.D. ACTUAL: 18"
- TOWER ATTACHMENTS ARE EXISTING OR SUPPLIED BY OTHERS UNLESS IDENTIFIED BY MARK # (E.G. A-301) ENCLOSED AS SHOWN [A-301], WHICH ARE SUPPLIED BY KOCH-GLITSCH.
- DIMENSIONS ARE GIVEN IN: MILLIMETERS
- ANY MODIFICATIONS BY CUSTOMER OR ANY THIRD PARTY TO THE EQUIPMENT SHOWN ON THIS DRAWING WITHOUT THE PRIOR WRITTEN APPROVAL OF KOCH-GLITSCH WILL VOID ALL EXPRESSED AND IMPLIED WARRANTIES, INCLUDING ANY IMPLIED WARRANTIES OF MERCHANTABILITY OF FITNESS FOR PURPOSE.
- WELD CORROSION ALLOWANCE "CA" TO BE APPLIED TO THE THROAT DIMENSION.
- THE TOWER ATTACHMENTS HAVE TO BE SECURELY WELDED TO THE VESSEL STRUCTURE AND THE CUSTOMER IS RESPONSIBLE FOR THE SELECTION OF THE METHOD OF THE ATTACHMENT, THE WPS, AND THE EVALUATION OF ALL SHELL APPLICABLE STRESSES.
- TRAYS ARE NUMBERED FROM BOTTOM TO TOP.
- CORROSION ALLOWANCE: 1/8" PER WETTED SURFACE

NO.	DESCRIPTION OF REVISION	CHG BY/DATE	APPV'D
-	-	-	-

CUSTOMER'S IDENTIFICATION

PURCHASED BY: ENERFLEX PRESSON
 P.O. NO.: P164173-B7227-21
 USER: FORT ENERGY PLANT SITE: -
 SPEC. NO: KOCH-GLITSCH REFERENCE: -
 TOWER SERVICE: AMINE CONTACTOR PLANT SECTION: AMINE PLANT

KOCH-GLITSCH
 MASS TRANSFER TECHNOLOGY
 © 2002 KOCH-GLITSCH LP

DRAWN BY: E.Y. DATE: 27 JUL. 05
 CHECK BY: - DATE: -
 PROCESS: - DATE: -

KOCH-GLITSCH CANADA LTD
 CANADA / UXBRIDGE

MODEL: ELV
 VESSEL ARRANGEMENT

SALES ORDER NO.: 25-12868-ENP-32
 PART NO.: -
 WORK ORDER NO.: 34878

TOWER I.D. 33 1/4"	TOWER NO. C-300
DWG. NO.: C05-12868-D215	
SHT. 2 OF 2	REV. \diamond

NOTICE: KOCH-GLITSCH EQUIPMENT AND PROCESSES MAY BE COVERED BY PATENT RIGHTS AND TRADE SECRETS. THE INFORMATION CONTAINED HEREIN IS THE CONFIDENTIAL AND PROPRIETARY PROPERTY OF KOCH-GLITSCH OR ITS AFFILIATES AND IS NOT TO BE REPRODUCED, PHOTOCOPIED, OR OTHERWISE REPRODUCED EXCEPT SOLELY FOR INTERNAL PURPOSES BY THE CUSTOMER. WITHOUT THE PRIOR WRITTEN PERMISSION OF KOCH-GLITSCH, THE DOCUMENT CONTAINED HEREIN WILL BE IMMEDIATELY RETURNED TO KOCH-GLITSCH AT ITS REQUEST.
C05-12868-D215 34878 ENERFLEX PRESSON
INSTALLATION DRAWING