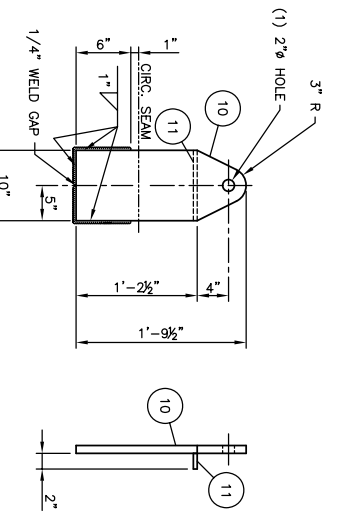
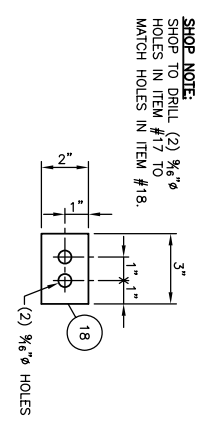
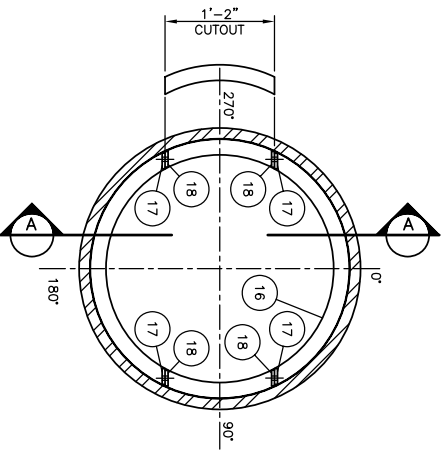
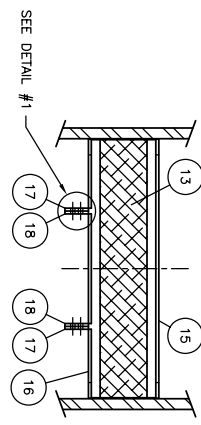
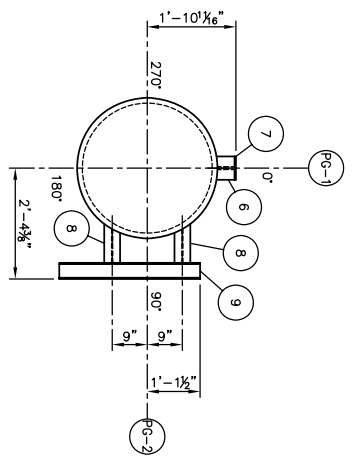
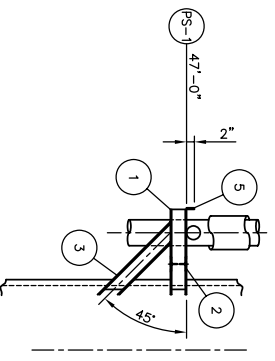
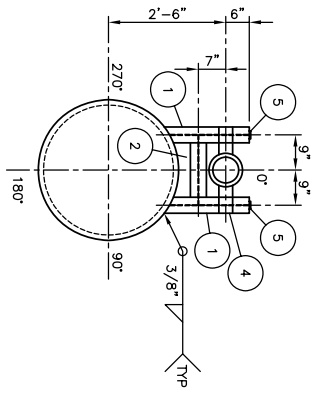
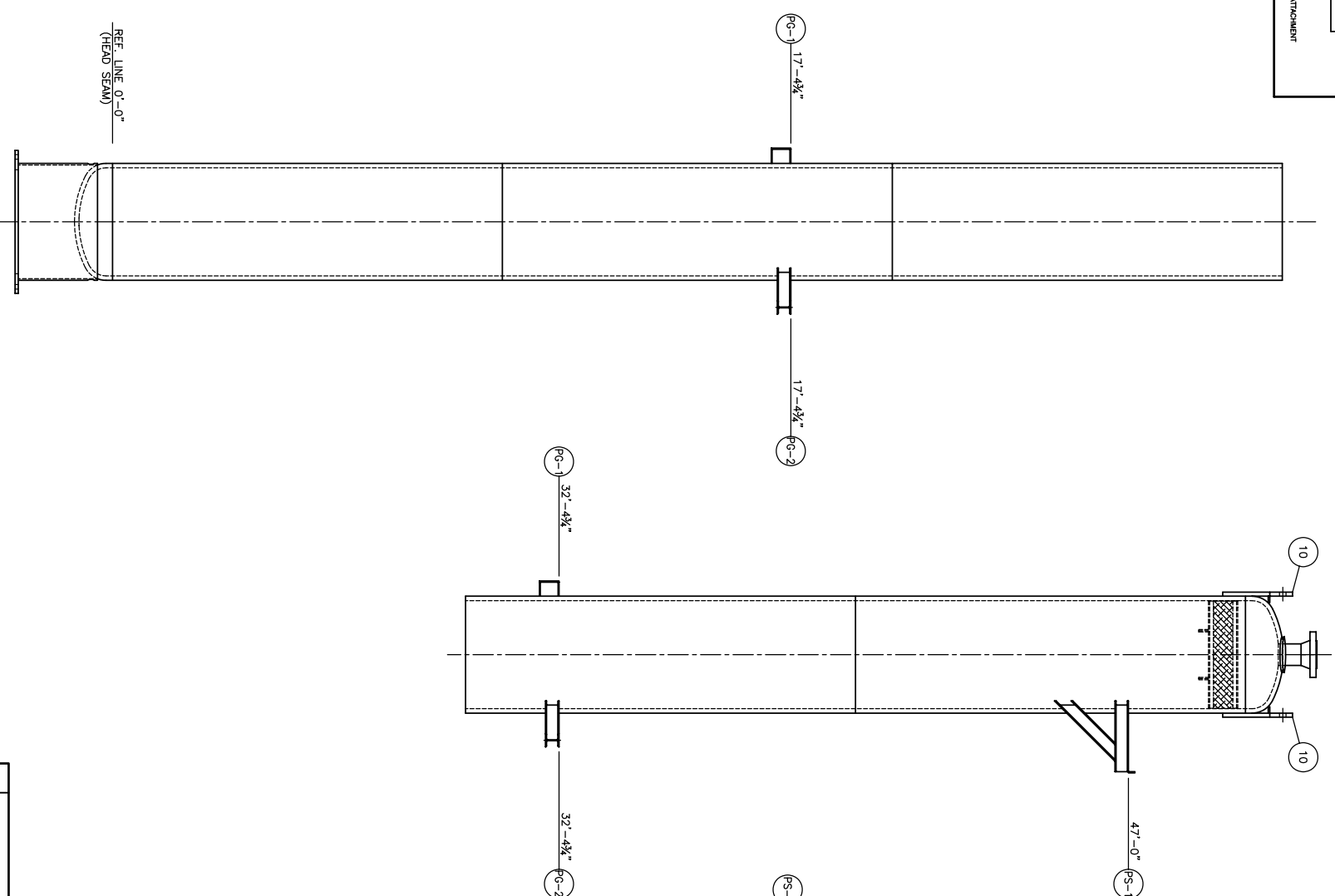
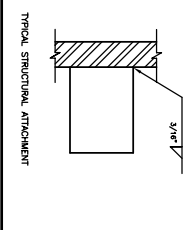


THIS DRAWING IS THE EXCLUSIVE PROPERTY OF PRESSON ENERFLEX AND MAY NOT BE COPIED OR COMMUNICATED TO A THIRD PARTY WITHOUT THE WRITTEN AUTHORIZATION OF PRESSON ENERFLEX.

BILL OF MATERIALS

MARK	PART	DESCRIPTION	QTY	MATERIAL
1	PIPE SUPPORT 1	W4 x 13# x 1'-9 3/4" LG (SEE DETAIL)	2	SAC40.2150W
2	PIPE SUPPORT 1	W4 x 13# x 1'-5 3/4" LG (SEE DETAIL)	1	SAC40.2150W
3	PIPE SUPPORT 1	W4 x 13# x 2'-2 3/8" LG (SEE DETAIL)	2	SAC40.2150W
4	TRUNNION	REFER TO GAS/GT/TOL EXCHANGER DWG		
5	SUPPORT STOP	2" x 3/8" PL x 2" LG	2	SAC40.2144W
6	PIPE GUIDE 1	W5 x 15# x 4 5/8" LG (SEE DETAIL)	2	SAC40.2150W
7	PIPE GUIDE 1	6" x 3/8" PL x 6" LG	2	SAC40.2144W
8	PIPE GUIDE 2	W4 x 13# x 10" LG (SEE DETAIL)	4	SAC40.2150W
9	PIPE GUIDE 2	W4 x 13# x 3'-0" LG (SEE DETAIL)	2	SAC40.2150W
10	LIFT LUGS	9" x 1 1/4" PL x 3'-0" LG (SEE DETAIL)	2	SA-51670N
11	LIFT LUGS SUPPORT	2" x 1 1/2" PL x 9" LG (CUT TO SUIT)	2	SA-51670N
12	BOLTING	1/2"φ x 1 1/2" LG CAPSCREWS c/w (1) NUT EACH	8	GR. 5
13	MIST PAD	33" OD x 6" THK x 9# DENSITY MISTEX (3) PIECE	1	316L SS
15	MIST PAD SUPPORT	REMOVABLE c/w CS SUPPORT GRIDS	1	SA-51670
16	MIST PAD SUPPORT	33 1/8" OD x 3/8" PL x 29 1/8" ID	1	SA-51670
17	SUPPORT CLIPS	2" x 1/8" OD x 3/8" PL x 29 1/8" ID (SEE DETAIL)	4	SA-51670
18	SUPPORT CLIPS	2" x 3/8" PL x 3" LG (SEE DETAIL)	4	SA-51670



NOTES
 1) REFER TO DWG #B7227-261 SH1. 1 FOR VESSEL ORIENTATION AND DETAILS.

NO.	REVISION	BY	CHKD.	DATE
0	ISSUED FOR CONSTRUCTION	KH		05/08/02
A	ISSUED FOR APPROVAL	TBB		05/07/23

CUSTOMER REFERENCE: 54000-7REV.0

CUSTOMER: FORT ENERGY CORPORATION c/o BDR ENGINEERING

PROJECT: SANDHILLS GAS PLANT

JOB NO.: B7227-21

DESCRIPTION: LSD 07-25-62-06 WSM

TITLE: AMINE CONTACTOR (C-300) ADDITIONAL DETAILS

DATE: 05/07/25

SCALE: 1"=1'-0"

FORMING NUMBER: B7227-261 SH1. 2 OF 6