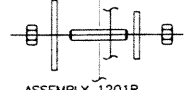
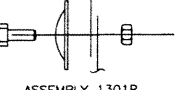


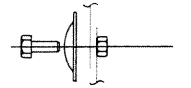
- ASSEMBLY 1000R**
- 1 3/8 HEX NUT 891-361F01
  - 1 DOMED 1.5" OD. 802-361G101
  - 1 BTC 902-361G03
  - 1 3/8 X 2" BOLT 896-361F1108



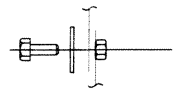
- ASSEMBLY 1201R**
- 2 3/8 HEX NUT 891-361F01
  - 1 MW CLAMP(3/16") 860-361G4
  - 1 MW CLAMP(3/16") 861-361G1
  - 1 MW STUD (2") 865-361F11



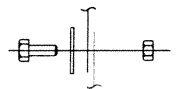
- ASSEMBLY 1301R**
- 1 3/8 HEX NUT 891-361F01
  - 1 DOMED 1.5" OD. 802-361G101
  - 1 3/8 X 1" BOLT 896-361F1104



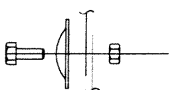
- ASSEMBLY 1301W**
- 1 3/8 WELDED NUT 891-361F01
  - 1 DOMED 1.5" OD. 802-361G101
  - 1 3/8 X 1" BOLT 896-361F1104



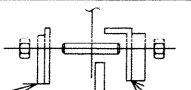
- ASSEMBLY 1302W**
- 1 3/8 WELDED NUT 891-361F01
  - 1 WASHER 1" OD. 800-361G010801
  - 1 3/8 X 1" BOLT 896-361F1104



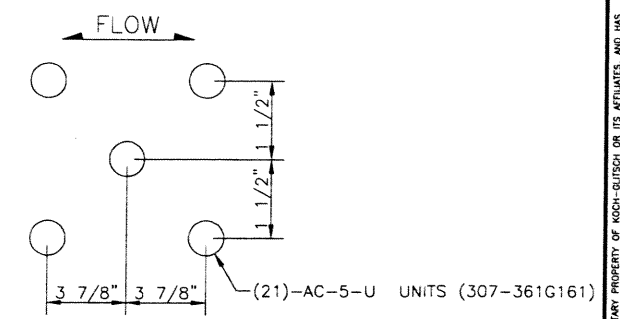
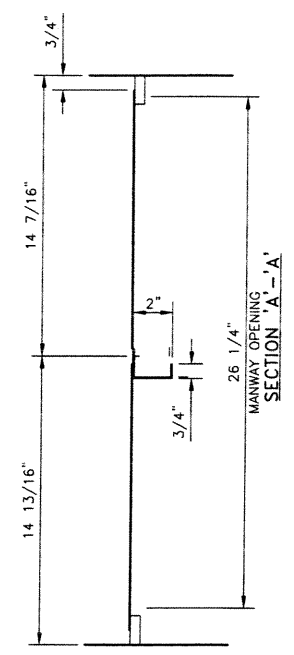
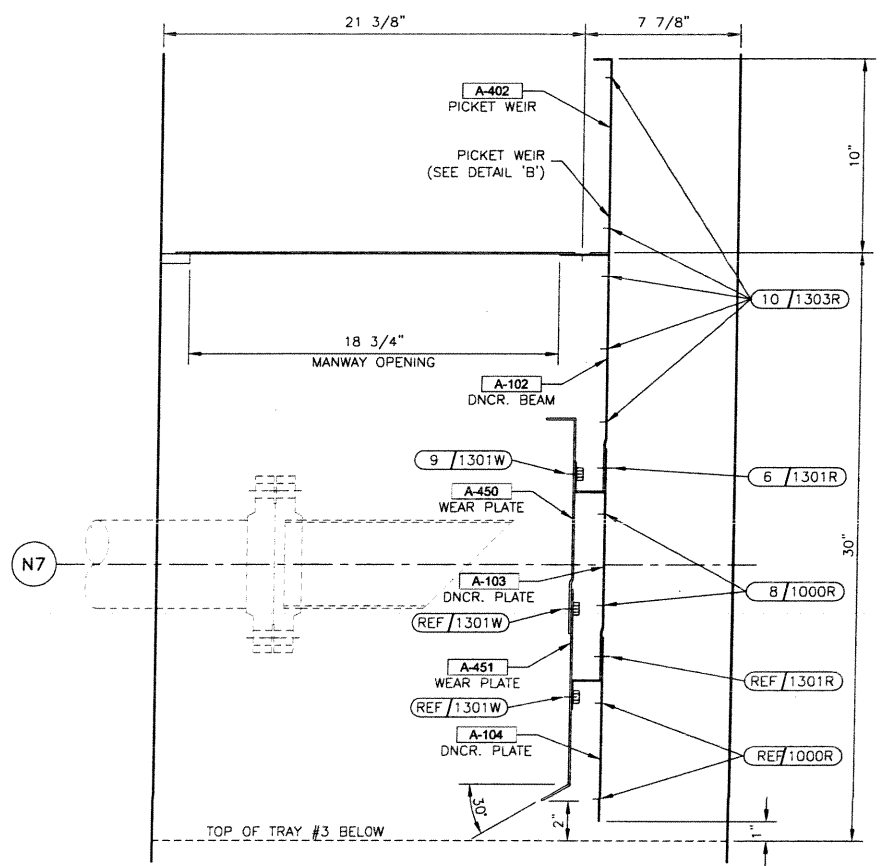
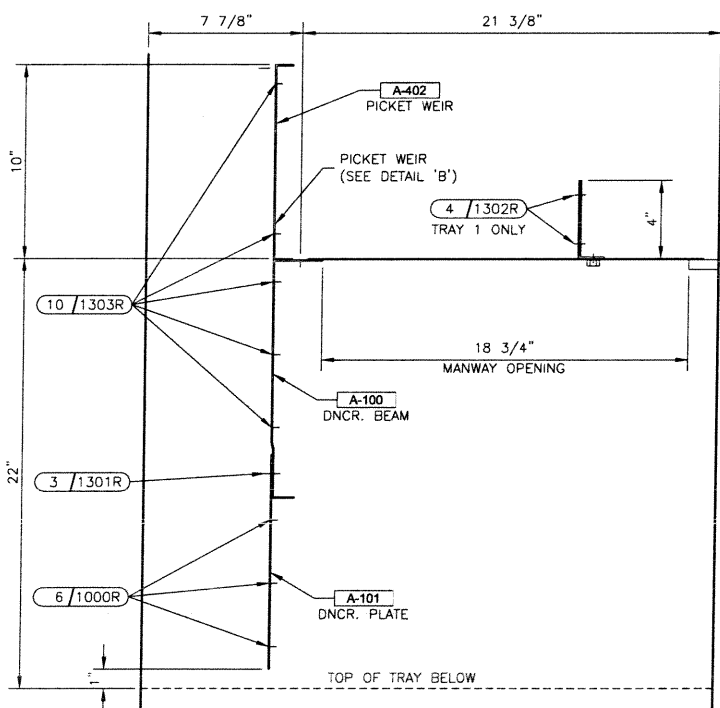
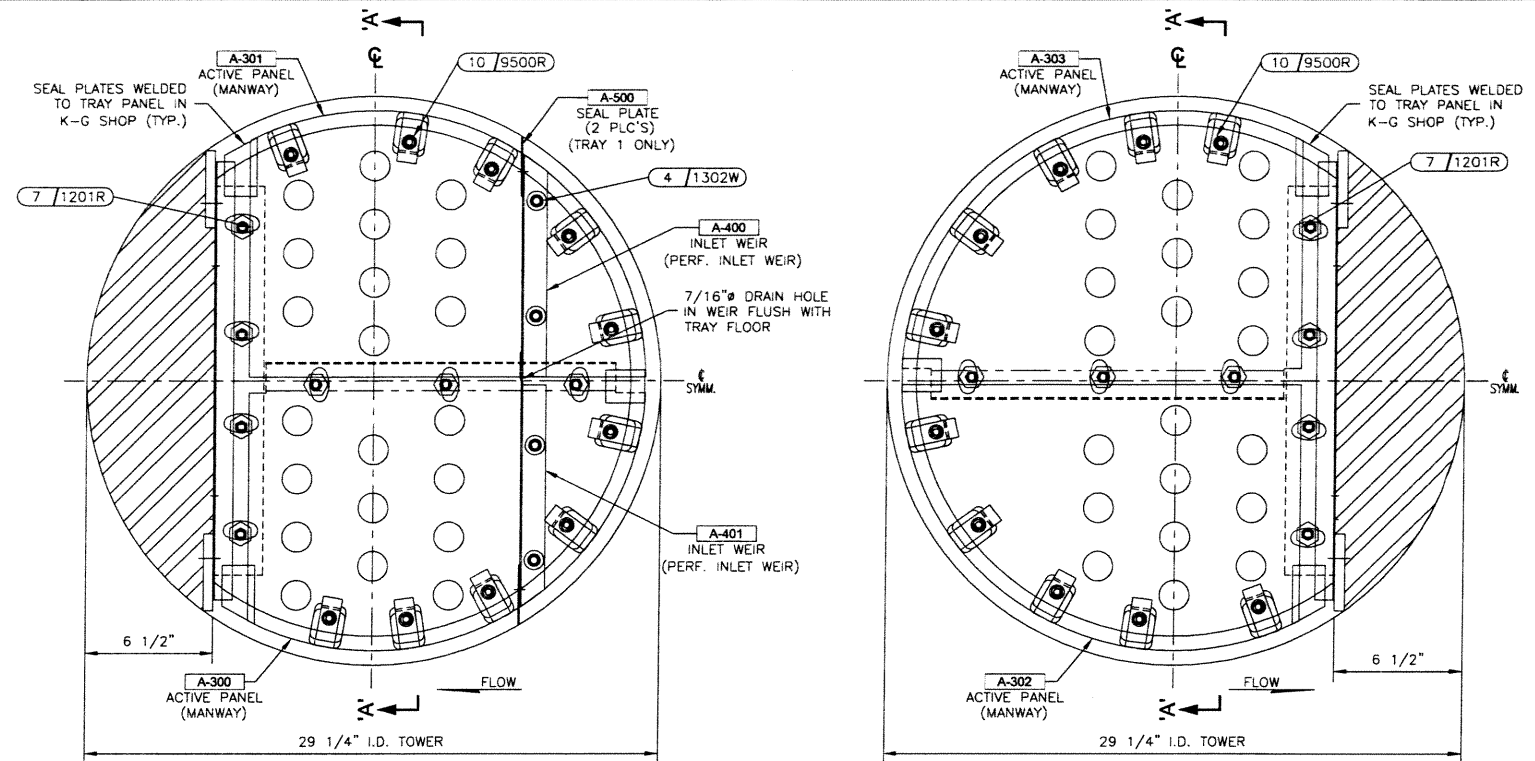
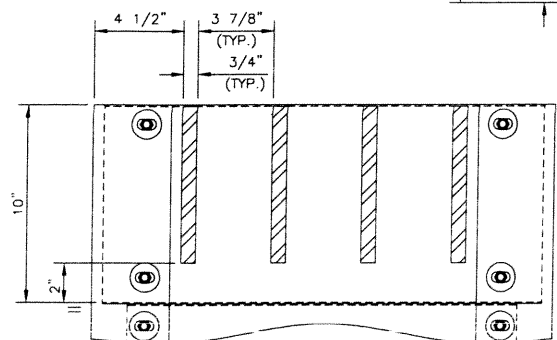
- ASSEMBLY 1302R**
- 1 3/8 HEX NUT 891-361F01
  - 1 WASHER 1" OD. 800-361G010801
  - 1 3/8 X 1" BOLT 896-361F1104



- ASSEMBLY 1303R**
- 1 3/8 HEX NUT 891-361F01
  - 1 DOMED 1.5" OD. 802-361G101
  - 1 3/8 X 2" BOLT 896-361F1108



- ASSEMBLY 9500R**
- 2 3/8 HEX NUT 891-361F01
  - 1 MW CLAMP# 45 863-361G2
  - 1 MW CLAMP# 40-F 864-361G206
  - 1 MW STUD (2") 865-361F11



- NOTES**
- TOWER MANHOLE I.D. ACTUAL: 18"
  - PARTS SUPPLIED BY KOCH-GLITSCH ARE IDENTIFIED BY MARK # (E.G. A-301) ENCLOSED AS SHOWN [A-301].
  - BOLTING ASSEMBLIES ARE ENCLOSED THUS:  
QUANTITY PER TRAY: \_\_\_\_\_ ASSEMBLY NUMBER  
101 / 1010R
  - DIMENSIONS ARE GIVEN IN INCHES
  - ANY MODIFICATIONS BY CUSTOMER OR ANY THIRD PARTY TO THE EQUIPMENT SHOWN ON THIS DRAWING WITHOUT THE PRIOR WRITTEN APPROVAL OF KOCH-GLITSCH WILL VOID ALL EXPRESSED AND IMPLIED WARRANTIES, INCLUDING ANY IMPLIED WARRANTIES OF MERCHANTABILITY OR FITNESS FOR PURPOSE.
  - TRAYS ARE NUMBERED FROM TOP TO BOTTOM.
- REFERENCE DRAWINGS**
- DRAWING C05-12868-D217 FOR VESSEL ARRANGEMENT.  
DRAWING \_\_\_\_\_ FOR EQUIPMENT LOCATED ABOVE.  
DRAWING \_\_\_\_\_ FOR EQUIPMENT LOCATED BELOW.

LIST OF MATERIAL		
DESCRIPTION	TYPE & THICKNESS	
ACTIVE PANEL	PANEL	316L - 14GA.
VALVE AREA	VALVE	316L - 16GA.
	HOLDDOWN	---
INLET PANEL		
BEAMS	BEAM	---
DOWNCOMER	BEAM	316L - 14GA.
	PLATE	316L - 14GA.
SEAL PAN		316L - 14GA.
WEAR PLATE		316L - 12GA.
BOLT		316L - 3/8"
NUT		316L - 3/8"
MISC. HARDWARE		316L - --
TOWER ATTACHMENTS		C05-12868-D217

TRAY DESIGN DATA			
UNIFORM LOAD	CONC. LOAD STRESS		
ACTIVE INLET	DET.		
21	64	300 lbs	
#/Feet <sup>2</sup>	#/Feet <sup>2</sup>	DESIGN TEMP.	
		200° C	

EQUIPMENT DESCRIPTION			
QUAN	ITEM	DESCRIPTION	REMARKS
2	-	VALVE TRAYS 1 & 2	AS SHOWN & NOTED
18	-	VALVE TRAYS 3-20	SEE SHT: 2
1	-	SEAL PAN BELOW TRAY #20	SEE SHT: 2
1	-	FEED PIPE @ N7 (BY OTHERS)	SEE SHT: 3

NO.	DESCRIPTION OF REVISION	CHG.BY/DATE	APPROV
-			

Presson Dwg # B7227-267 Sht 3 of 9

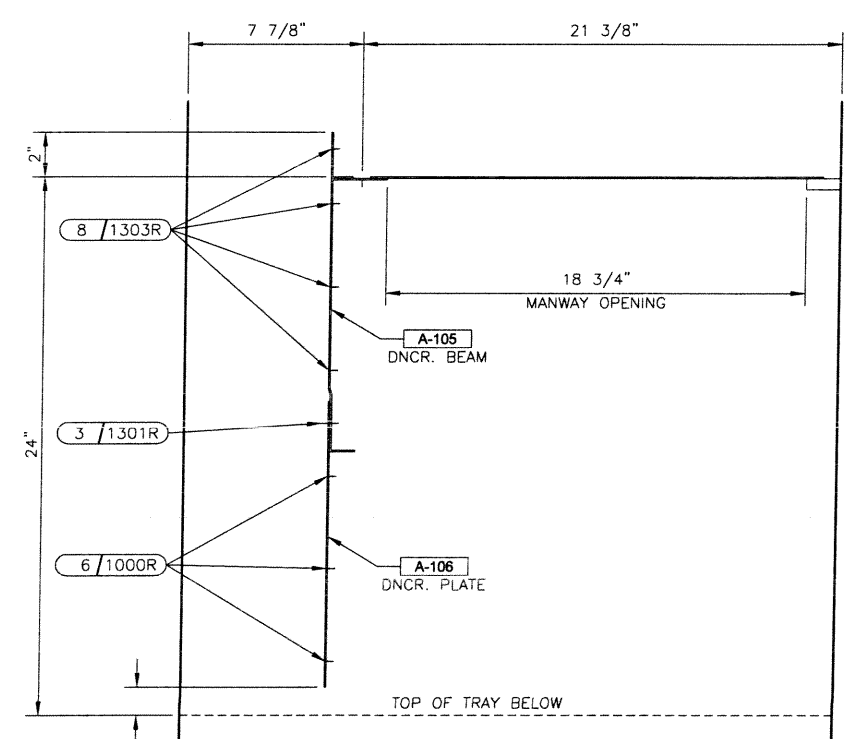
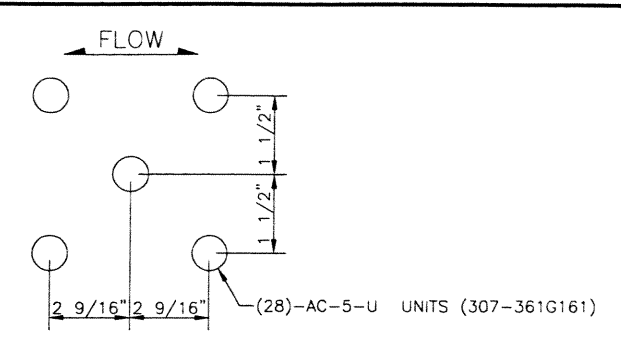
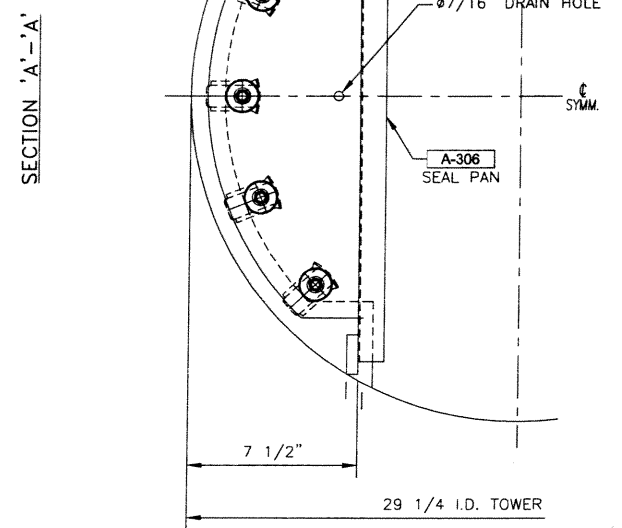
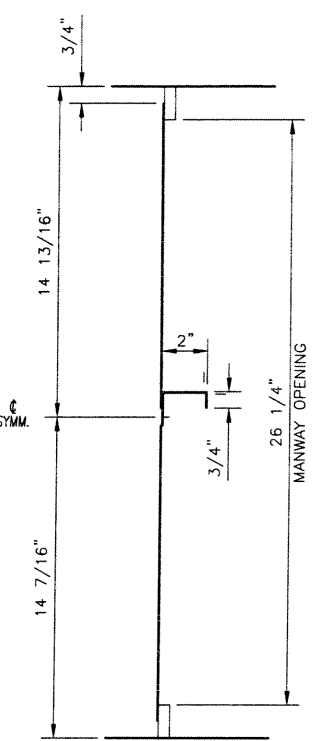
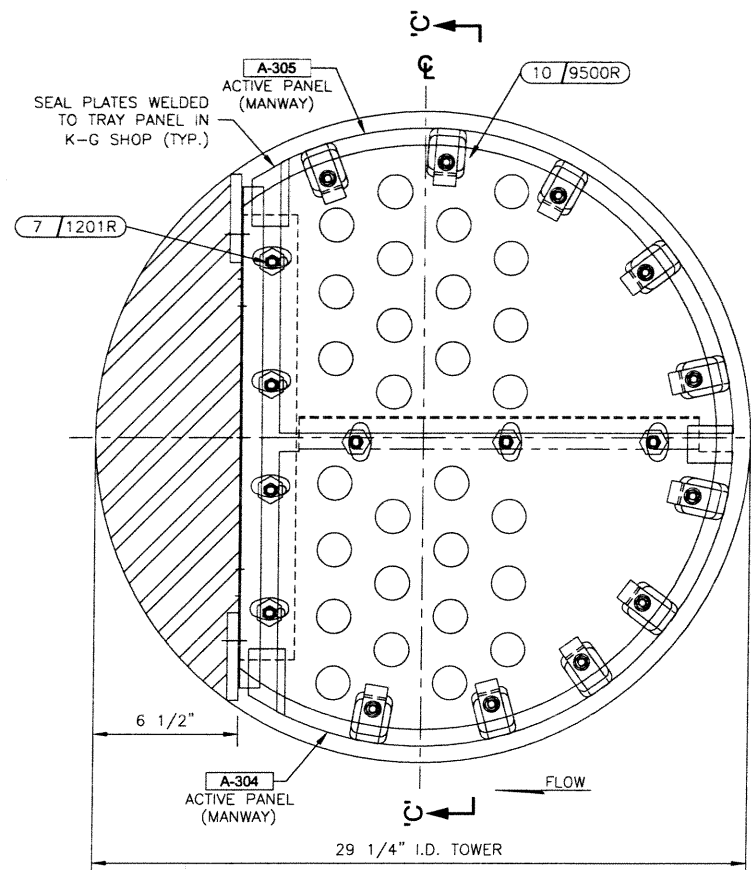
CUSTOMER'S IDENTIFICATION			
PURCHASED BY: ENERFLEX PRESSON			
P.O. NO.: P164173-B7227-27			
USER: FORT ENERGY		PLANT SITE: -	
SPEC. NO: KOCH-GLITSCH		REFERENCE: -	
TOWER SERVICE: AMINE REGENERATOR		PLANT SECTION: AMINE PLANT	

Koch-Glitsch		Koch-Glitsch Canada Ltd	
MASS TRANSFER TECHNOLOGY		CANADA / UXBRIDGE	
© 2002 KOCH-GLITSCH LP		MODEL: VLB-11000	
DRAWN BY: E.Y.		DATE: 27 JUL. 05	
CHECK BY: -		DATE: -	
PROCESS: -		DATE: -	
DRAWING ISSUE		TOWER I.D. TOWER NO.	
APPROVED FOR FABRICATION:		29 1/4" C 301	
BY: BOBV		DWG. NO.: C05-12868-D216	
DATE: -		SHT. 1 OF 4	

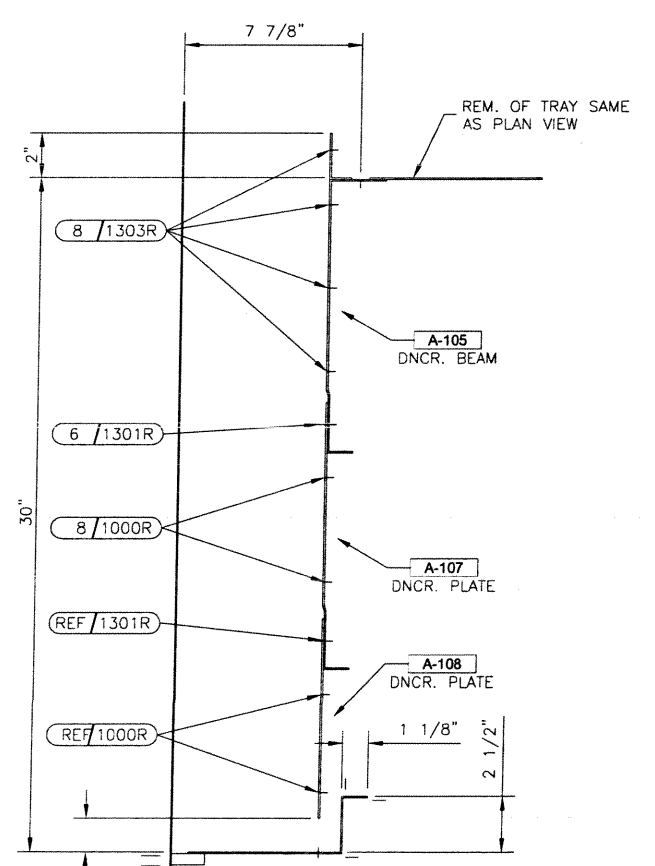
NOTICE: KOCH-GLITSCH EQUIPMENT AND PROCESSES MAY BE SUBJECT TO PATENT RIGHTS IN THE UNITED STATES AND FOREIGN PATENTS AND PENDING PATENT APPLICATIONS. THIS DOCUMENT AND THE INFORMATION CONTAINED HEREIN IS THE CONFIDENTIAL AND PROPRIETARY PROPERTY OF KOCH-GLITSCH OR ITS AFFILIATES AND HAS BEEN PROVIDED TO YOU IN CONFIDENCE. THIS DOCUMENT AND THE INFORMATION CONTAINED HEREIN IS NOT TO BE REPRODUCED, COPIED, PHOTOGRAPHED, OR OTHERWISE REPRODUCED EXCEPT AS SPECIALLY AUTHORIZED BY KOCH-GLITSCH. THIS DOCUMENT (INCLUDING ANY CORRECTIONS) WILL BE IMMEDIATELY RETURNED TO KOCH-GLITSCH AT ITS REQUEST.

**ENERFLEX PRESSON**  
**34879**  
**C05-12868-D216**  
**INSTALLATION DRAWING**

	<b>ASSEMBLY 1000R</b>
1 3/8 HEX NUT 891-361F01	
1 DOMED 1.5" OD. 802-361G101	
1 BTC 902-361G03	
1 3/8 X 2" BOLT 896-361F1108	
	<b>ASSEMBLY 1201R</b>
2 3/8 HEX NUT 891-361F01	
1 MW CLAMP(3/16") 860-361G4	
1 MW CLAMP(3/16") 861-361G1	
1 MW STUD (2") 865-361F11	
	<b>ASSEMBLY 1301R</b>
1 3/8 HEX NUT 891-361F01	
1 DOMED 1.5" OD. 802-361G101	
1 3/8 X 1" BOLT 896-361F1104	
	<b>ASSEMBLY 1303R</b>
1 3/8 HEX NUT 891-361F01	
1 DOMED 1.5" OD. 802-361G101	
1 3/8 X 2" BOLT 896-361F1108	
	<b>ASSEMBLY 9500R</b>
2 3/8 HEX NUT 891-361F01	
1 MW CLAMP# 45 863-361G2	
1 MW CLAMP# 40-F 864-361G206	
1 MW STUD (2") 865-361F11	



**PLAN & SECTION VIEW FOR TRAYS 3-19**  
 ORIENTATION SHOWN IS FOR ODD TRAYS  
 EVEN TRAYS ARE ROTATED 180°



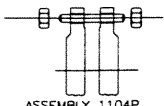
**PLAN & SECTION VIEW FOR DOWNCOMER FROM TRAY #20 & SEAL PAN BELOW**

Presson Dwg # B7227-267 Sht 4 of 9

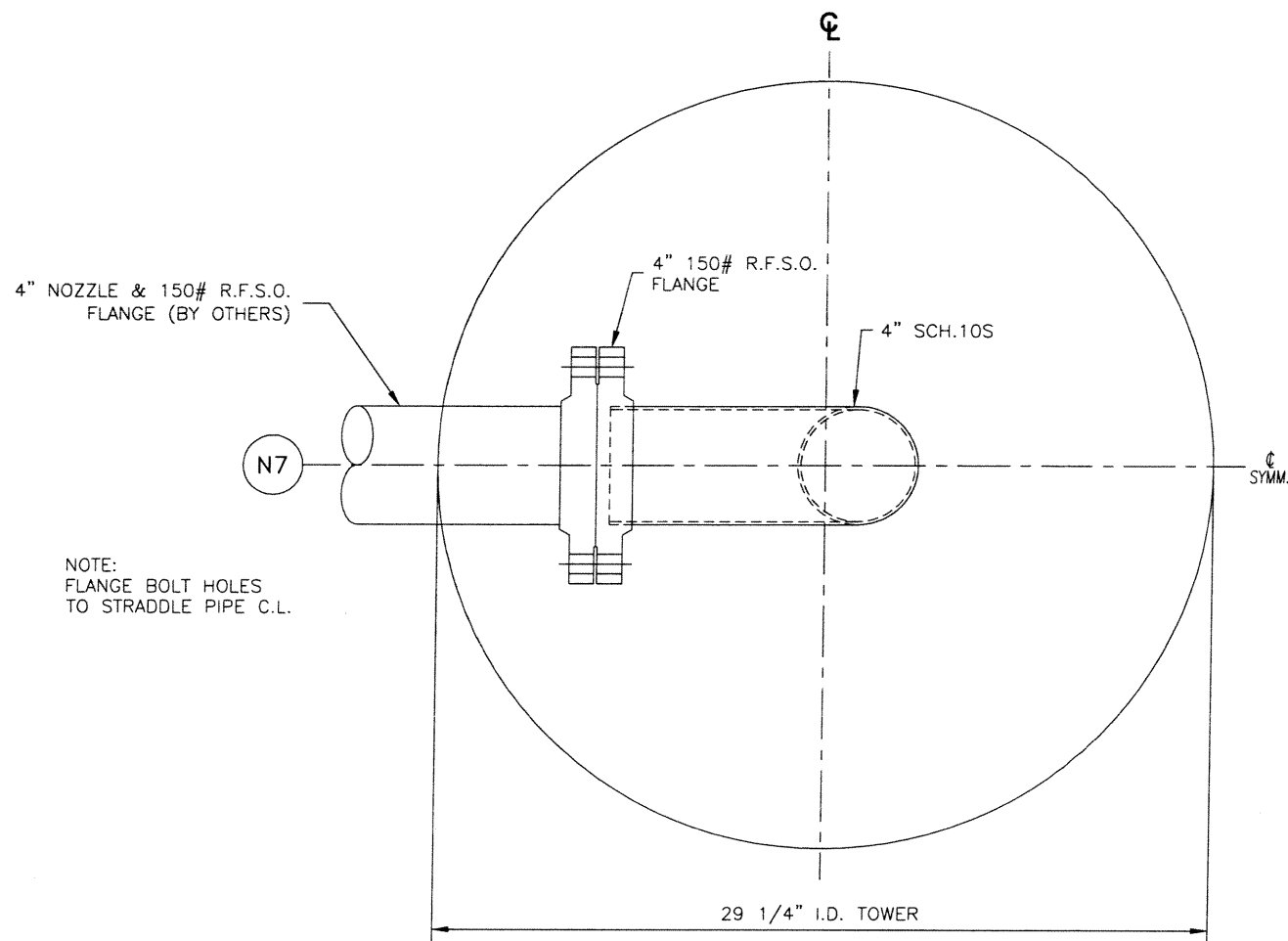
NO.	DESCRIPTION OF REVISION	CHG BY/DATE	APPV
--	--	--	--

<b>CUSTOMER'S IDENTIFICATION</b>			
PURCHASED BY: ENERFLEX PRESSON			
P.O. NO.: P164173-B7227-27			
USER: FORT ENERGY	PLANT SITE: -		
SPEC. NO: KOCH-GLITSCH	REFERENCE: -		
TOWER SERVICE: AMINE REGENERATOR	PLANT SECTION: AMINE PLANT		
<b>KOCH-GLITSCH</b>		KOCH-GLITSCH CANADA LTD	
MASS TRANSFER TECHNOLOGY		CANADA / UXBRIDGE	
© 2002 KOCH-GLITSCH LP		MODEL: VLB-11000 VALVE TRAYS	
DRAWN BY: E.Y.	DATE: 27 JUL. 05	SALES ORDER NO.: 25-12868-ENP-32	
CHECK BY: -	DATE: -	PART NO.:	
PROCESS: -	DATE: -	WORK ORDER NO.: 34879	
DRAWING ISSUE		TOWER I.D.	TOWER NO
APPROVED FOR FABRICATION:		29 1/4"	C-301
BY: BOBV		DWG. NO. C05-12868-D216	
DATE: -		SHT. 2 OF 4	
CERTIFIED FINAL AS FABRICATED:		REV. Ⓢ	
BY: -			
DATE: -			

NOTICE: KOCH-GLITSCH EQUIPMENT AND PROCESSES MAY BE COVERED BY UNITED STATES AND FOREIGN PATENTS AND PENDING PATENT APPLICATIONS. THIS DOCUMENT AND THE INFORMATION CONTAINED HEREIN IS THE CONFIDENTIAL AND PROPRIETARY PROPERTY OF KOCH-GLITSCH OR ITS AFFILIATES, AND HAS BEEN PROVIDED TO YOU IN CONFIDENCE. THIS DOCUMENT AND THE INFORMATION CONTAINED HEREIN IS NOT TO BE REPRODUCED, COPIED, PHOTOCOPIED, OR OTHERWISE REPRODUCED EXCEPT SOLELY FOR INTERNAL PURPOSES BY THE CUSTOMER, WITHOUT THE PRIOR WRITTEN PERMISSION OF KOCH-GLITSCH. IN THE EVENT THAT THIS DOCUMENT OR ANY INFORMATION CONTAINED HEREIN ARE INAPPROPRIATELY USED, DISCLOSED, OR OTHERWISE REPRODUCED, THE CUSTOMER SHALL BE IMMEDIATELY RETURNED TO KOCH-GLITSCH AT ITS REQUEST.  
**C05-12868-D216**  
**34879**  
**ENERFLEX PRESSON**  
**INSTALLATION DRAWING**

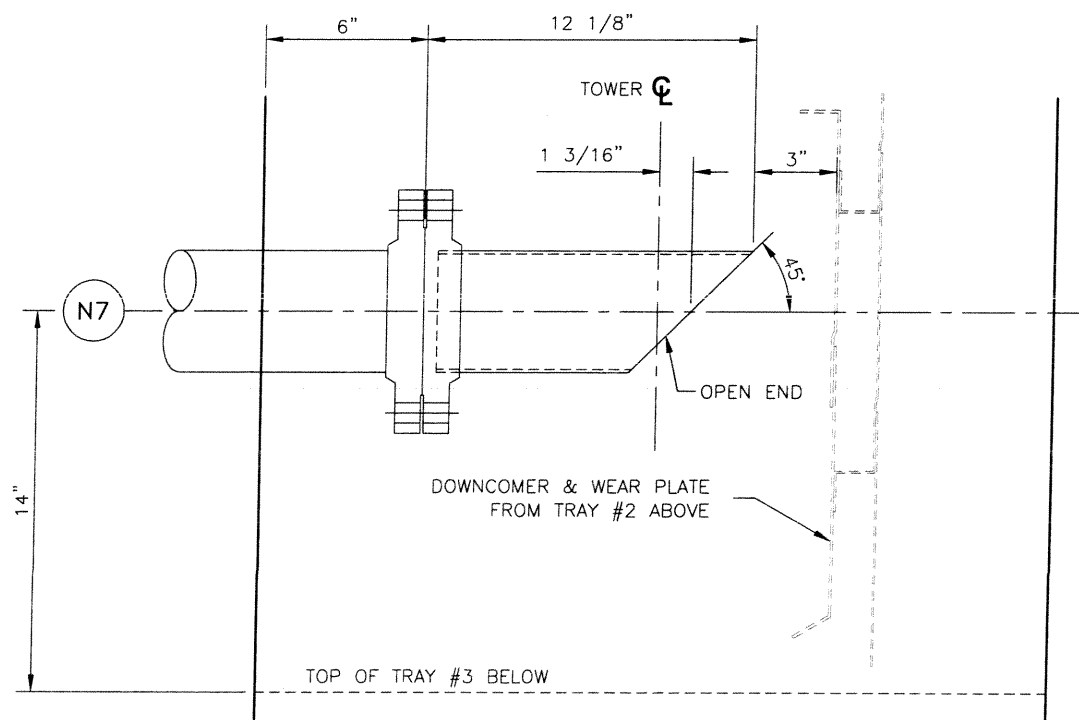


ASSEMBLY 1104P  
 16 5/8 HEX NUT  
 8 5/8 X 4" STUD



NOTE:  
 FLANGE BOLT HOLES  
 TO STRADDLE PIPE C.L.

NOTE:  
 FEED PIPE IS  
 SUPPLIED BY  
 OTHERS



PLAN & SECTION VIEW FOR FEED PIPE AT NOZZLE N7

Presson Dwg # B7227-267 Sht 5 of 9

NO.	DESCRIPTION OF REVISION	CHG. BY/DATE	APPV'D
-	-	-	-

CUSTOMER'S IDENTIFICATION	
PURCHASED BY: ENERFLEX PRESSON	
P.O. NO.: P164173-B7227-27	
USER: FORT ENERGY	PLANT SITE: -
SPEC. NO: KOCH-GLITSCH	REFERENCE: -
TOWER SERVICE: AMINE REGENERATOR	PLANT SECTION: AMINE PLANT

<b>KOCH-GLITSCH</b> MASS TRANSFER TECHNOLOGY © 2002 KOCH-GLITSCH LP		KOCH-GLITSCH CANADA LTD CANADA / UXBRIDGE	
DRAWN BY: E.Y. DATE: 27 JUL. 05		MODEL: VLB-11000 VALVE TRAYS	
CHECK BY: - DATE: -	PROCESS: - DATE: -	SALES ORDER NO.: 25-12868-ENP-32	PART NO.: -
DRAWING ISSUE		WORK ORDER NO.: 34879	
APPROVED FOR FABRICATION:	CERTIFIED FINAL	TOWER I.D.: 29 1/4"	TOWER NO: C-301
BY: BOBV	BY: -	DWG. NO.: C05-12868-D216	
DATE: -	DATE: -	SHT. 3 OF 4	REV. Ⓢ

INSTALLATION DRAWING

NOTICE: KOCH-GLITSCH EQUIPMENT AND PROCESSES MAY BE COVERED BY U.S. AND FOREIGN PATENTS AND PENDING PATENT APPLICATIONS. THIS DOCUMENT AND THE INFORMATION CONTAINED HEREIN IS THE CONFIDENTIAL AND PROPRIETARY PROPERTY OF KOCH-GLITSCH OR ITS AFFILIATES AND HAS BEEN PROVIDED TO YOU IN CONFIDENCE. THIS DOCUMENT AND THE INFORMATION CONTAINED HEREIN IS UNCLASSIFIED AND NOT FOR UNCLASSIFIED USE. THIS DOCUMENT (INCLUDING ANY COPIES) WILL BE IMMEDIATELY RETURNED TO KOCH-GLITSCH AT ITS REQUEST.

**C05-12868-D216 34879 ENERFLEX PRESSON**

## PARTS LIST

MARK NO.	DESCRIPTION	THK. (GA. / MM)	MAT'L.	QTY.	TRAYS 1	TRAY 2	TRAYS 3-19	TRAY 20	SEAL PAN BELOW TRAY 20										
					(1)	(1)	(17)	(1)	(1)										
A-100	DOWNCOMER BEAM	14 GA.	316L	1	1														
A-101	DOWNCOMER PLATE	14 GA.	316L	1	1														
A-102	DOWNCOMER BEAM	14 GA.	316L	1		1													
A-103	DOWNCOMER PLATE	14 GA.	316L	1		1													
A-104	DOWNCOMER PLATE	14 GA.	316L	1		1													
A-105	DOWNCOMER BEAM	14 GA.	316L	18			1	1											
A-106	DOWNCOMER PLATE	14 GA.	316L	17			1												
A-107	DOWNCOMER PLATE	14 GA.	316L	1				1											
A-108	DOWNCOMER PLATE	14 GA.	316L	1				1											
A-300	ACTIVE PANEL MANWAY	14 GA.	316L	1	1														
A-301	ACTIVE PANEL MANWAY	14 GA.	316L	1	1														
A-302	ACTIVE PANEL MANWAY	14 GA.	316L	1		1													
A-303	ACTIVE PANEL MANWAY	14 GA.	316L	1		1													
A-304	ACTIVE PANEL MANWAY	14 GA.	316L	18			1	1											
A-305	ACTIVE PANEL MANWAY	14 GA.	316L	18			1	1											
A-306	SEAL PAN	14 GA.	316L	1					1										
A-400	INLET WEIR	14 GA.	316L	1	1														
A-401	INLET WEIR	14 GA.	316L	1	1														
A-402	PICKET WEIR	14 GA.	316L	2	1	1													
A-450	WEAR PLATE	12 GA.	316L	1		1													
A-451	WEAR PLATE	12 GA.	316L	1		1													
A-500	SEAL PLATE	14 GA.	316L	2	2														

## HARDWARE LIST

HARDWARE NO.	DESCRIPTION	MAT'L.	TOTAL QUAN.	SPARE	NET	TRAYS 1	TRAY 2	TRAYS 3-19	TRAY 20	SEAL PAN BELOW TRAY 20									
						(1)	(1)	(17)	(1)	(1)									
891-361F01	NUT 316L 3/8	316L	1098	53	1045	57	58	51	56	7									
802-361G101	WASH-DM 316L 11 X 38 14G	316L	389	19	370	19	33	17	22	7									
902-361G03	C#Y 316L 2.5MM	316L	138	7	131	6	8	6	8	7									
896-361F1108	BOLT-FT 316L 3/8 X 2	316L	311	16	295	16	18	14	16	7									
860-361G4	C#MWL3 316L	316L	148	8	140	7	7	7	7	7									
861-361G1	C#MWL20 316L	316L	148	8	140	7	7	7	7	7									
865-361F11	STUD-MWL#5 316L	316L	358	18	340	17	17	17	17										
896-361F1104	BOLT-FT 316L 3/8 X 1	316L	88	5	83	11	15	3	6										
863-361G2	C#MWL45 316L	316L	211	11	200	10	10	10	10										
864-361G206	C#MWL40F 316L 12G	316L	211	11	200	10	10	10	10										
800-361G010801	WASH 316L 11 X 25 14G	316L	9	1	8	8													

### STANDARD / MISCELLANEOUS ITEMS

307-361G161	VALVE-ACU 316L 16G ( SHIP LOOSE )	316L	17	17															
-------------	-----------------------------------	------	----	----	--	--	--	--	--	--	--	--	--	--	--	--	--	--	--

### FIXED HARDWARE / ITEMS

891-361F01	NUT 316L 3/8	316L	13		13	4	9												
307-361G161	VALVE-ACU 316L 16G	316L	546		546	21	21	28	28										

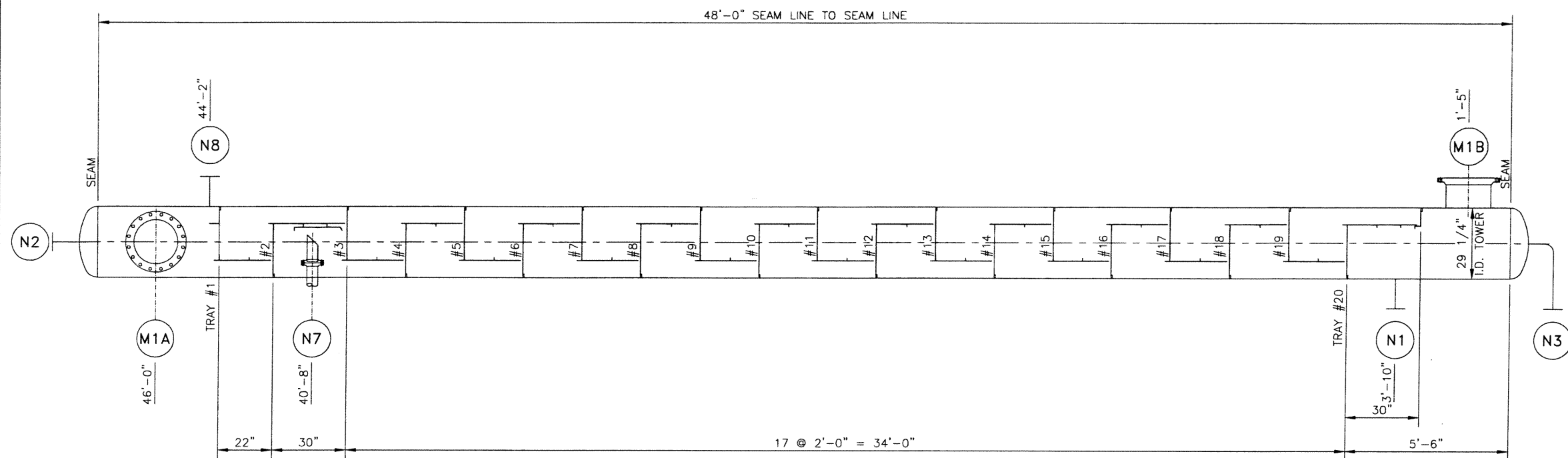
### REVISIONS

NO.	REVISION DESCRIPTION	REV. BY:	DATE:

Spare hardware quantities listed provide a reasonable allowance for loss or damage during the installation process or tolerances due to counting system. The quantities are not intended to serve as operational spares or for use in other applications. It is the responsibility of the installer to prevent excessive loss or mis-application of hardware items.  
KOCH-GLITSCH Mass Transfer

## KOCH - GLITSCH Mass Transfer - PARTS and ASSEMBLIES Sheet

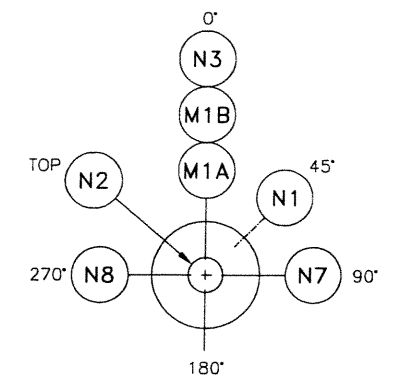
PURCHASED BY: ENERFLEX PRESSON P.O. NO.: P164173-B7227-27 SPEC. NO.: KOCH-GLITSCH USER: FORT ENERGY PLANT SITE: - PLANT SECTION: AMINE PLANT TOWER SERVICE: AMINE REGENERATOR VESSEL NO.: C-301	ISSUED: BY: EY      DATE: JUL-27-05 DRAWING ISSUED APPROVED FOR FABRICATION: BY: BOBV      DATE: JUL-27-05	SALES ORDER NO.: 25-12868-ENP-32 DRAWING NO.: C05-12868-D216 WORK ORDER NO.: 34879 REV. 0 SHT. 4 OF 4
--	--	---



VLB-11000  
C05-12868-D216  
TRAYS 1-20  
ELEVATION

NOTE:  
ALL DIM'S ARE FROM SEAM LINE  
& TO TOP OF SUPPORT RING  
OR NOZZLE C.L.

NOZZLE ORIENTATIONS



NOZZLE DESCRIPTIONS

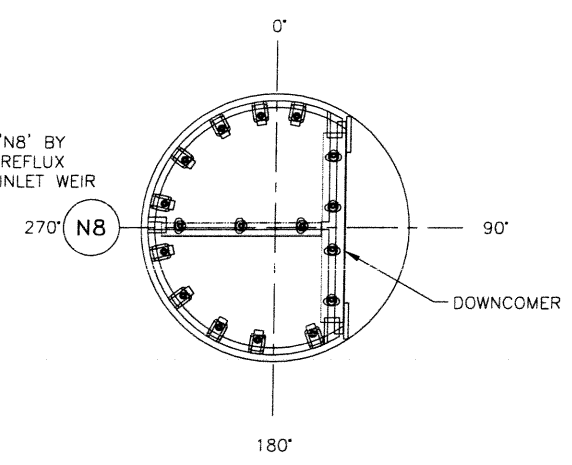
NOZZLE	SIZE	SERVICE
N1	6"	VAPOUR INLET
N2	4"	VAPOUR OUTLET
N3	6"	RICH AMINE OUT
N7	4"	RICH AMINE INLET
N8	2"	REFLUX IN
M1 A/B	20"	MANWAY

GENERAL NOTES

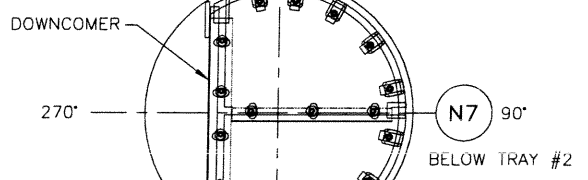
KOCH-GLITSCH PROVIDES THIS DRAWING SOLELY FOR BUYER'S CONVENIENCE IN DESIGNING AND FABRICATING PARTS TO MATCH EQUIPMENT FURNISHED BY KOCH-GLITSCH. BUYER IS SOLELY RESPONSIBLE FOR PROVIDING CORROSION AND OTHER ALLOWANCES THAT MAY BE REQUIRED FOR SPECIFIC PROCESS OR MECHANICAL CONSIDERATIONS WHETHER OR NOT SUCH PROCESSES OR CONSIDERATIONS HAVE BEEN COMMUNICATED TO KOCH-GLITSCH.

ELEVATION AND ORIENTATION PICTURES ARE SCHEMATIC REPRESENTATIONS OF EQUIPMENT AND DO NOT INDICATE THE ACTUAL DESIGNS. SEE EQUIPMENT DRAWINGS FOR ACTUAL DESIGNS.

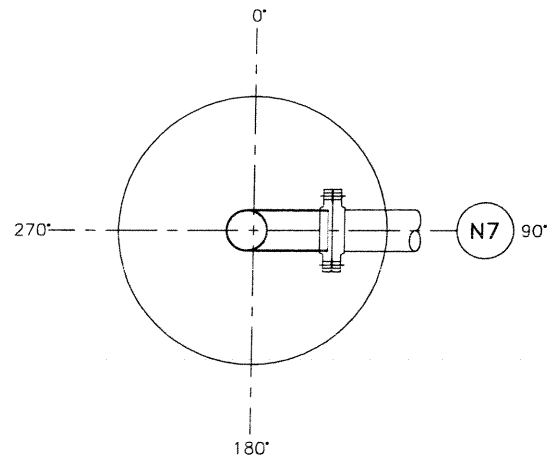
INTERNAL NOZZLE 'N8' BY OTHERS TO DUMP REFLUX BEHIND TOP TRAY INLET WEIR



VALVE TRAYS  
C05-12632-D216  
ODD TRAYS 1-19



VALVE TRAYS  
C05-12632-D216  
EVEN TRAYS 2-20



FEED PIPE  
(BY OTHERS)

EQUIPMENT ORIENTATION

Presson Dwg # B7227-267 Sht 7 of 9

NO.	DESCRIPTION OF REVISION	CHG.BY/DATE	APPVD
-	-	-	-

CUSTOMER'S IDENTIFICATION

PURCHASED BY: ENERFLEX PRESSON  
P.O. NO.: P164173-B7227-27  
USER: FORT ENERGY PLANT SITE: -  
SPEC. NO: KOCH-GLITSCH REFERENCE: -  
TOWER SERVICE: AMINE REGENERATOR PLANT SECTION: AMINE PLANT

**KOCH-GLITSCH**  
MASS TRANSFER TECHNOLOGY  
© 2002 KOCH-GLITSCH LP

KOCH-GLITSCH CANADA LTD  
CANADA / UXBRIDGE

MODEL: ELV  
VESSEL ARRANGEMENT  
DRAWN BY: E.Y. DATE: 26 JUL. 05  
CHECK BY: - DATE: -  
PROCESS: - DATE: -

SALES ORDER NO.: 25-12868-ENP-32  
PART NO.: -  
WORK ORDER NO.: 34880

APPROVED FOR FABRICATION:  
BY: BOBV  
DATE: -

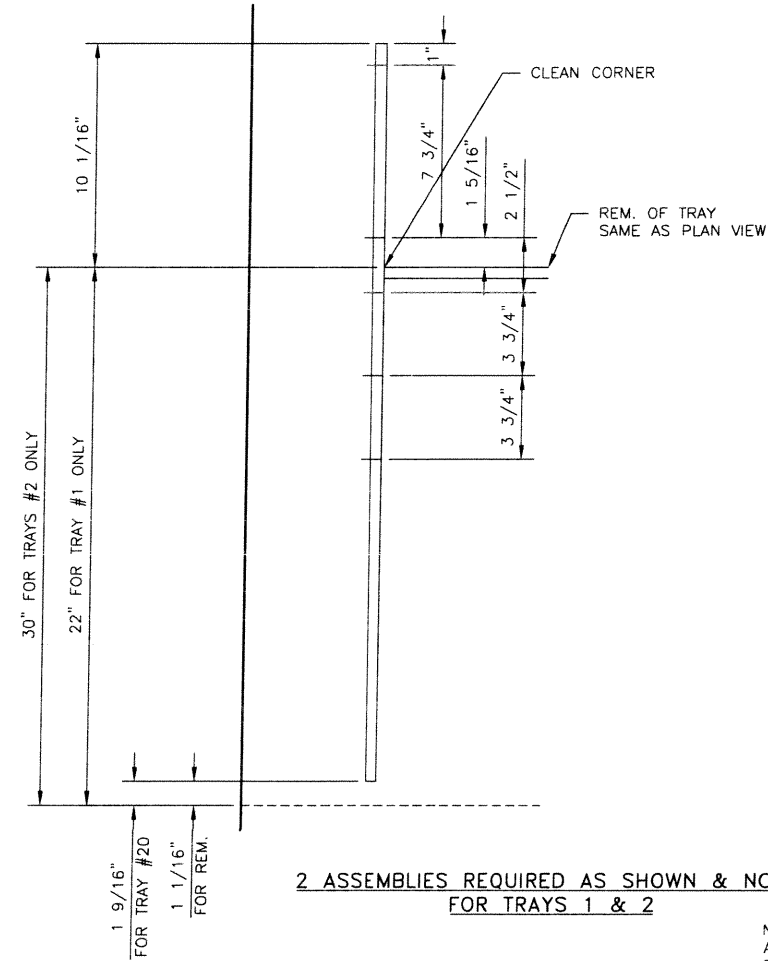
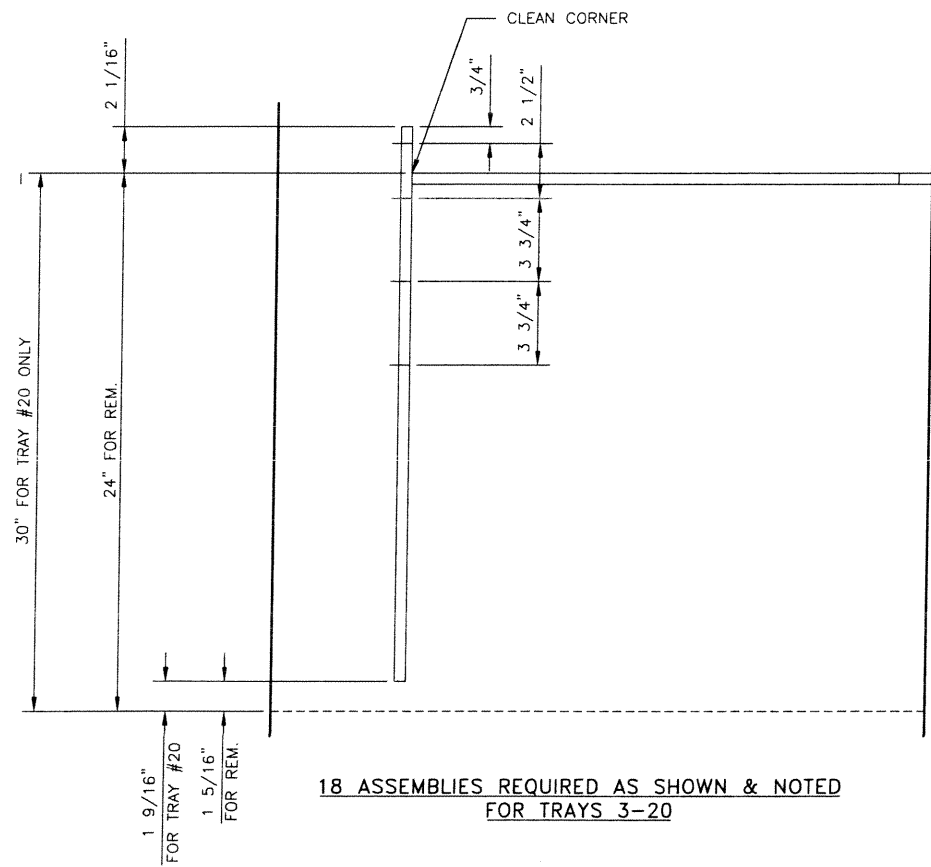
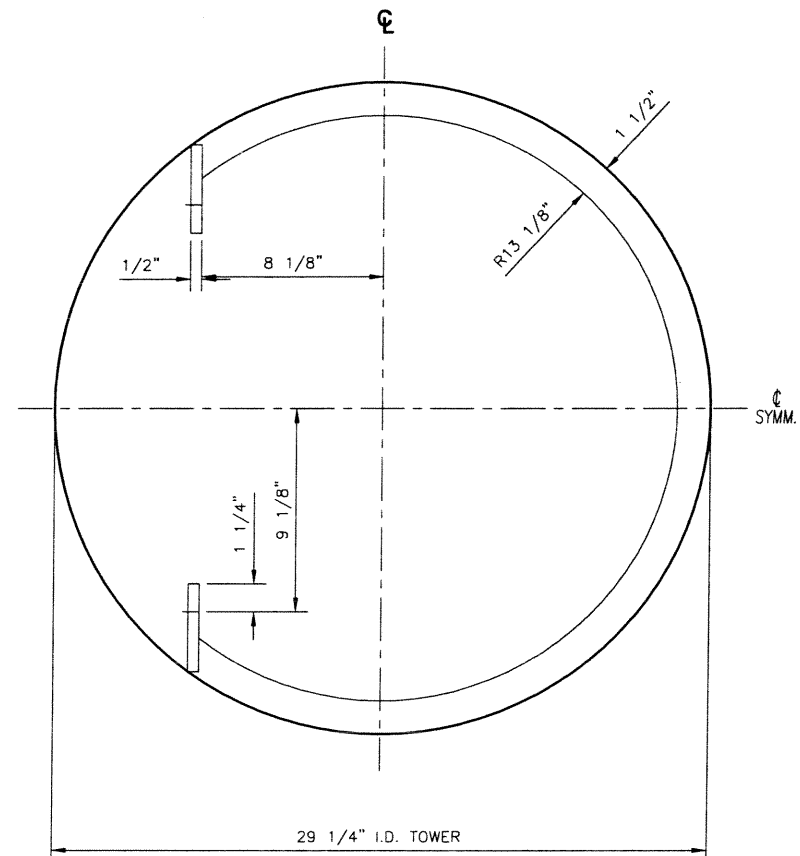
TOWER I.D. 29 1/4"  
TOWER NO. C-301  
DWG. NO.: C05-12868-D217  
SHT. 1 OF 3 REV.  $\diamond$

INSTALLATION DRAWING

NOTICE: KOCH-GLITSCH EQUIPMENT AND PROCESSES MAY BE COVERED BY PATENTS IN THE UNITED STATES AND OTHER COUNTRIES. THE INFORMATION CONTAINED HEREIN IS THE CONFIDENTIAL AND PROPRIETARY PROPERTY OF KOCH-GLITSCH OR ITS AFFILIATES, AND HAS BEEN PROVIDED TO YOU IN CONFIDENCE. THIS DOCUMENT AND THE INFORMATION CONTAINED HEREIN MAY NOT BE REPRODUCED, COPIED, DISCLOSED, OR OTHERWISE USED, IN ANY MANNER, WITHOUT THE PRIOR WRITTEN PERMISSION OF KOCH-GLITSCH. IN THE EVENT THAT THIS DOCUMENT OR ANY INFORMATION CONTAINED HEREIN IS INAPPROPRIATELY USED, DISCLOSED, OR OTHERWISE REPRODUCED, THIS DOCUMENT AND ITS CONTENTS WILL BE IMMEDIATELY RETURNED TO KOCH-GLITSCH AT ITS REQUEST.

**ENERFLEX PRESSON**  
**34880**

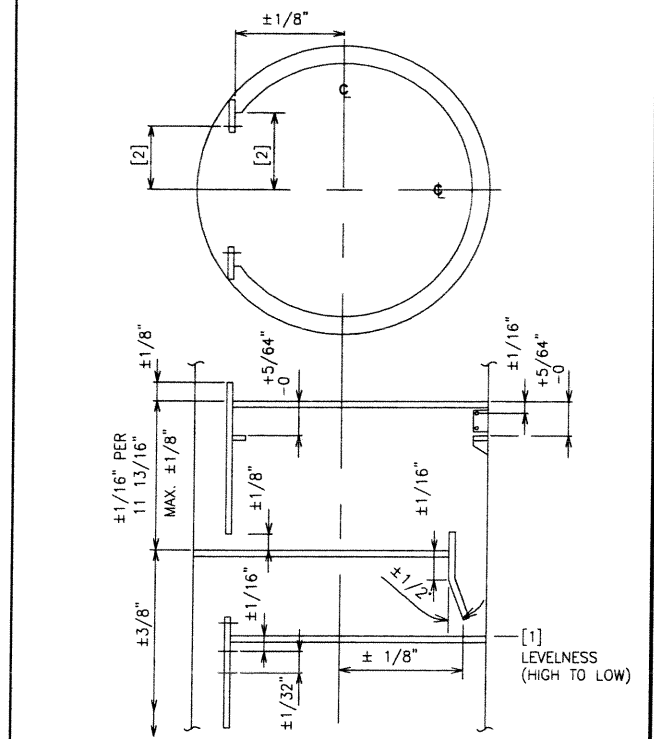
**C05-12868-D217**



NOTE:  
ALL PARTS SHOWN ON THIS SHEET ARE SUPPLIED BY OTHERS

LIST OF MATERIAL	
DESCRIPTION	TYPE & THICKNESS
SUPPORT RING	1/2" - BY OTHERS
BOLT / CLAMPING BAR	1/2" - BY OTHERS
-	-
-	-

**TOLERANCES** (UNLESS OTHERWISE NOTED ON THE DRAWING)



TOWER INSIDE DIAMETER				
NO.	0 TO 96"	OVER 96" TO 216"	OVER 216" TO 336"	OVER 336"
[1]	5/64"	5/32"	1/4"	5/16"
[2]	±1/4"	±1/2"	±3/4"	±1"

- OTHER TOLERANCES:**
- TILT OF TRAY SUPPT RING OVER ITS WIDTH SHALL NOT EXCEED ±1'
  - RING FLATNESS DEFECTS OVER ANY 12" CHORD 1/16"
  - ORIENTATION MAXIMUM OFFSET FROM TRUE SHELL CENTERLINE 1/4"
  - OUT OF ROUNDNESS AND STRAPPING AS PER ASME CODE

**NOTES**

1. TOWER MANHOLE I.D. ACTUAL: 18"
2. TOWER ATTACHMENTS ARE EXISTING OR SUPPLIED BY OTHERS UNLESS IDENTIFIED BY MARK # (E.G. A-301) ENCLOSED AS SHOWN [A-301], WHICH ARE SUPPLIED BY KOCH-GLITSCH.
3. DIMENSIONS ARE GIVEN IN: MILLIMETERS
4. ANY MODIFICATIONS BY CUSTOMER OR ANY THIRD PARTY TO THE EQUIPMENT SHOWN ON THIS DRAWING WITHOUT THE PRIOR WRITTEN APPROVAL OF KOCH-GLITSCH WILL VOID ALL EXPRESSED AND IMPLIED WARRANTIES, INCLUDING ANY IMPLIED WARRANTIES OF MERCHANTABILITY OF FITNESS FOR PURPOSE.
5. WELD CORROSION ALLOWANCE "CA" TO BE APPLIED TO THE THROAT DIMENSION.
6. THE TOWER ATTACHMENTS HAVE TO BE SECURELY WELDED TO THE VESSEL STRUCTURE AND THE CUSTOMER IS RESPONSIBLE FOR THE SELECTION OF THE METHOD OF THE ATTACHMENT, THE WPS, AND THE EVALUATION OF ALL SHELL APPLICABLE STRESSES.
7. TRAYS ARE NUMBERED FROM BOTTOM TO TOP.
8. CORROSION ALLOWANCE: 1/8" PER WETTED SURFACE

Presson Dwg # B7227-267 Sht 8 of 9

NO.	DESCRIPTION OF REVISION	CHG. BY/DATE	APPV'D
-	-	-	-

**CUSTOMER'S IDENTIFICATION**

PURCHASED BY: ENERFLEX PRESSON  
 P.O. NO.: P164173-B7227-27  
 USER: FORT ENERGY PLANT SITE: -  
 SPEC. NO.: - REFERENCE: -  
 TOWER SERVICE: AMINE REGENERATOR PLANT SECTION: AMINE PLANT

**KOCH-GLITSCH**  
 MASS TRANSFER TECHNOLOGY  
 © 2002 KOCH-GLITSCH LP

KOCH-GLITSCH CANADA LTD  
 CANADA / UXBRIDGE

MODEL: ELV  
 TOWER ATTACHMENTS

SALES ORDER NO.: 25-12868-ENP-32  
 PART NO.: -  
 WORK ORDER NO.: 34880

TOWER I.D.: 29 1/4"  
 TOWER NO.: C-301

DWG. NO.: C05-12868-D217  
 SHT. 2 OF 3 REV. Ⓢ

DRAWN BY: E.Y. DATE: 27 JUL. 05  
 CHECK BY: - DATE: -  
 PROCESS: - DATE: -

APPROVED FOR FABRICATION:  
 BY: BOBV  
 DATE: -

CERTIFIED FINAL  
 BY: -  
 DATE: -

NOTE: KOCH-GLITSCH EQUIPMENT AND SERVICES MAY BE COVERED BY VARIOUS UNITED STATES AND FOREIGN PATENTS AND PENDING PATENT APPLICATIONS. THIS DOCUMENT CONTAINS HEREIN IS THE CONFIDENTIAL AND PROPRIETARY PROPERTY OF KOCH-GLITSCH OR ITS AFFILIATES AND HAS BEEN PROVIDED TO YOU IN CONFIDENCE. THIS DOCUMENT AND ANY INFORMATION CONTAINED HEREIN ARE NOT TO BE REPRODUCED, COPIED, PHOTOCOPIED, OR OTHERWISE REPRODUCED EXCEPT SOLELY FOR INTERNAL PURPOSES BY THE CUSTOMER, WITHOUT THE PRIOR WRITTEN PERMISSION OF KOCH-GLITSCH IN THE EVENT THAT THE DOCUMENT OR ANY INFORMATION CONTAINED HEREIN ARE INAPPROPRIATELY USED, COPIED, OR OTHERWISE REPRODUCED, THIS DOCUMENT (INCLUDING ANY COPIES) WILL BE IMMEDIATELY RETURNED TO KOCH-GLITSCH AT ITS REQUEST.

**INSTALLATION DRAWING**

**C05-12868-D217**

**34880**

**ENERFLEX PRESSON**



