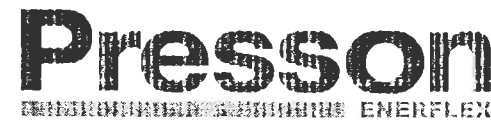
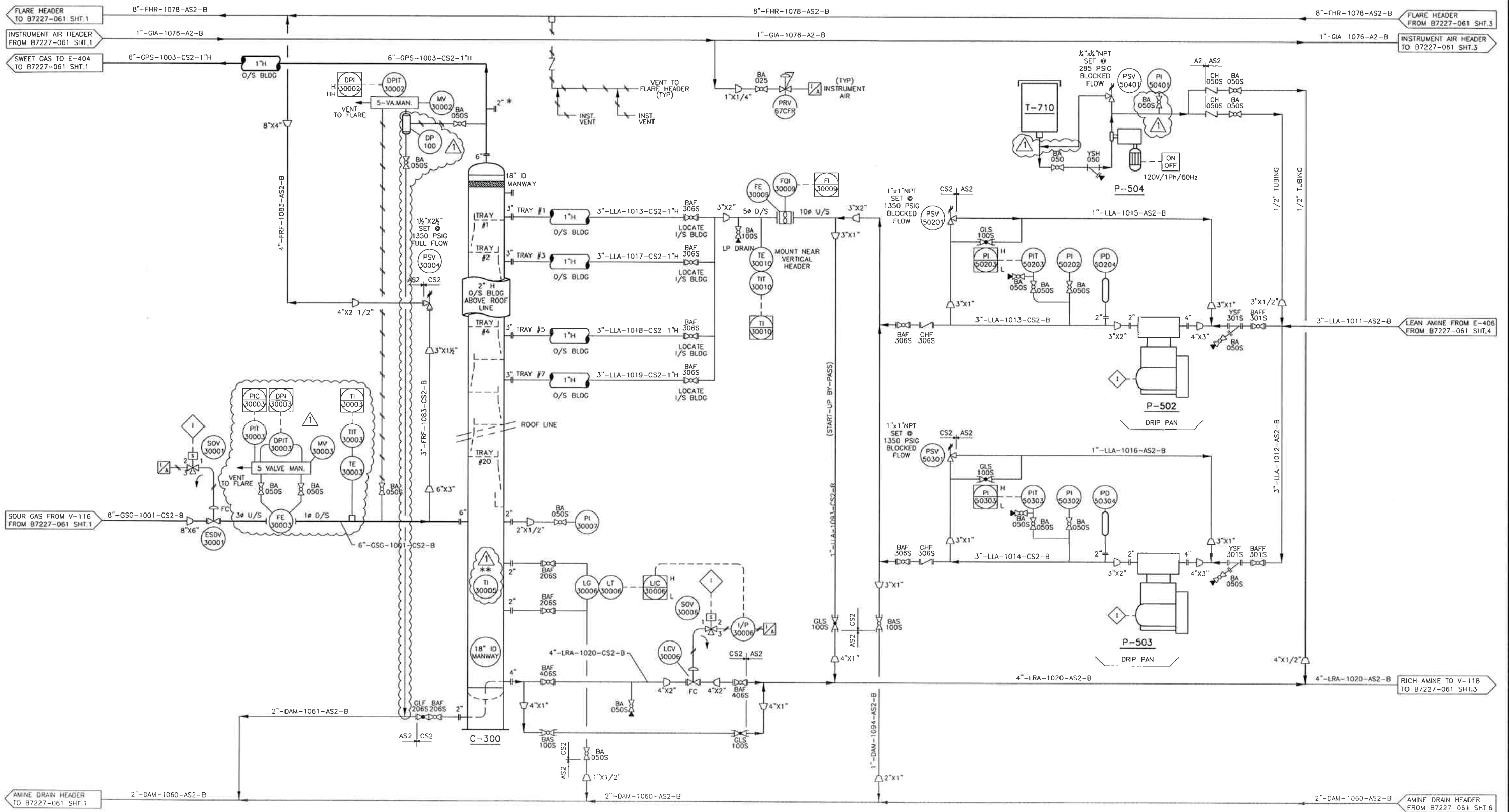


NOTES:
 * SHIPPED LOOSE FIELD INSTALLATION BY OTHERS.

CUSTOMER REFERENCE		54000-7 REV.0		CUSTOMER		FORT ENERGY CORPORATION c/o BDR ENGINEERING		PROJECT		B7227-06	
PROJECT		SANDHILLS GAS PLANT LSD 07-25-62-06 WSM		FILE		AMINE SWEETENING FACILITY PROCESS UNIT - P & ID		DRAWN		DATE	
NO.		REVISION		BY		CHKD		DATE		SCALE	
1		AS BUILT		SM		05/09/10				DATE	
0		ISSUED FOR CONSTRUCTION		SM		05/09/10				DRAWING NUMBER	
A		ISSUED FOR APPROVAL		AB		05/05/11				B7227-061 SHT. 1 OF 7	



DATE: 05/04/07
 DRAWING NUMBER: B7227-061 SHT. 1 OF 7

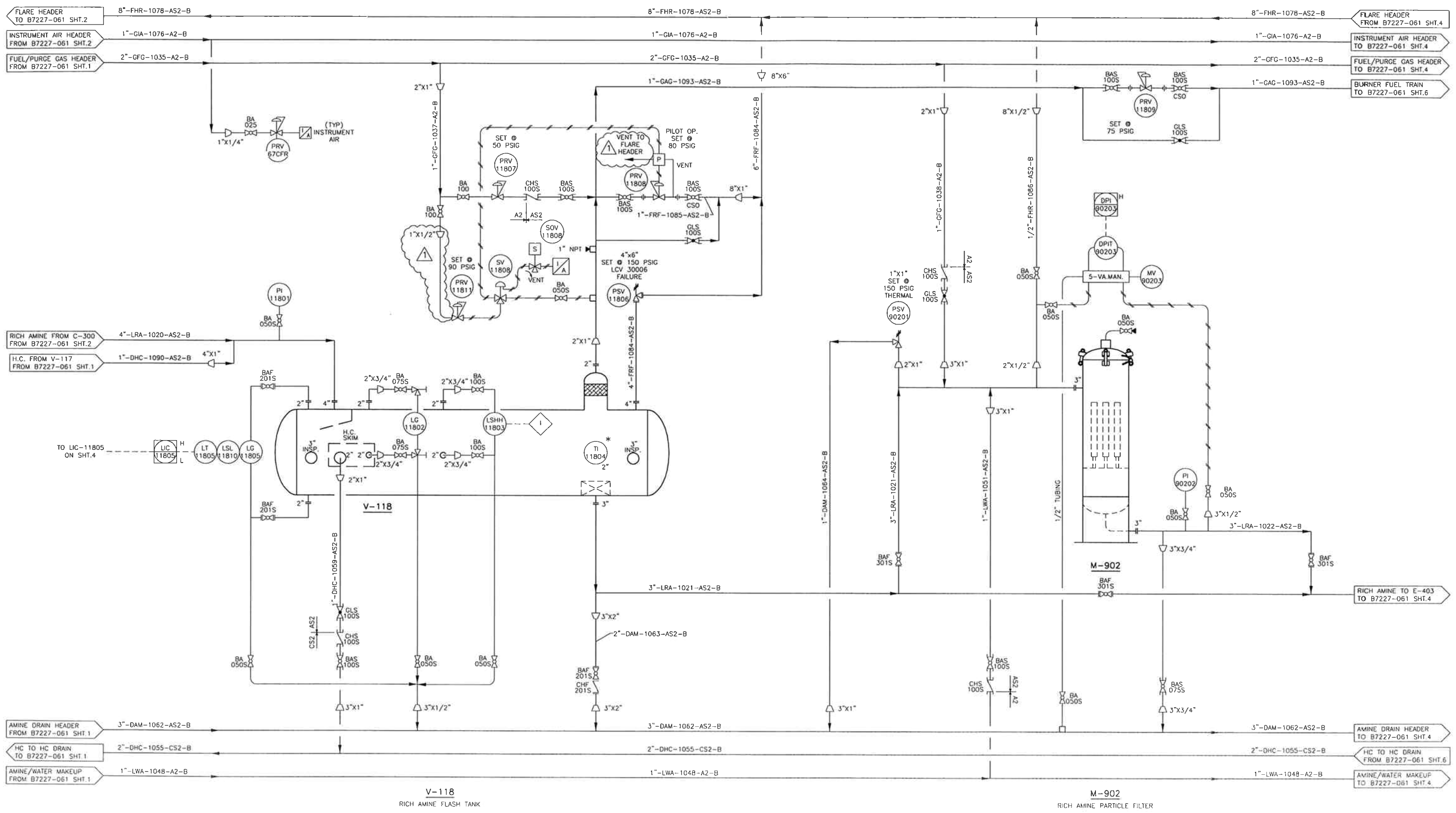


C-300 AMINE CONTACTOR P-504 CHEMICAL INJECTION PUMP T-710 5 USGAL TANK P-502/503 LEAN AMINE CHARGE PUMPS

NOTES:
 * CUSTOMER SUPPLIED/INSTALLED CORROSION COUPON
 ** SHIPPED LOOSE, FIELD INSTALLATION BY OTHERS

54000-7 REV.0		CUSTOMER: FORT ENERGY CORPORATION c/o BDR ENGINEERING	JOB NO: B7227-06																				
PROJECT: SANDHILLS GAS PLANT LSD 07-25-62-06 W5M		TITLE: AMINE SWEETENING FACILITY PROCESS UNIT - P & ID																					
<table border="1"> <tr> <th>NO</th> <th>REVISION</th> <th>BY</th> <th>CHKD</th> <th>DATE</th> </tr> <tr> <td>1</td> <td>AS BUILT</td> <td>SM</td> <td></td> <td>05/02/00</td> </tr> <tr> <td>2</td> <td>ISSUED FOR CONSTRUCTION</td> <td>SM</td> <td></td> <td>05/09/00</td> </tr> <tr> <td>3</td> <td>ISSUED FOR APPROVAL</td> <td>AB</td> <td></td> <td>05/04/01</td> </tr> </table>		NO	REVISION	BY	CHKD	DATE	1	AS BUILT	SM		05/02/00	2	ISSUED FOR CONSTRUCTION	SM		05/09/00	3	ISSUED FOR APPROVAL	AB		05/04/01	DRAWN: [Signature] SCALE: NTS DATE: 05/04/07 DRAWING NUMBER: B7227-061 SHT. 2 OF 7	
NO	REVISION	BY	CHKD	DATE																			
1	AS BUILT	SM		05/02/00																			
2	ISSUED FOR CONSTRUCTION	SM		05/09/00																			
3	ISSUED FOR APPROVAL	AB		05/04/01																			

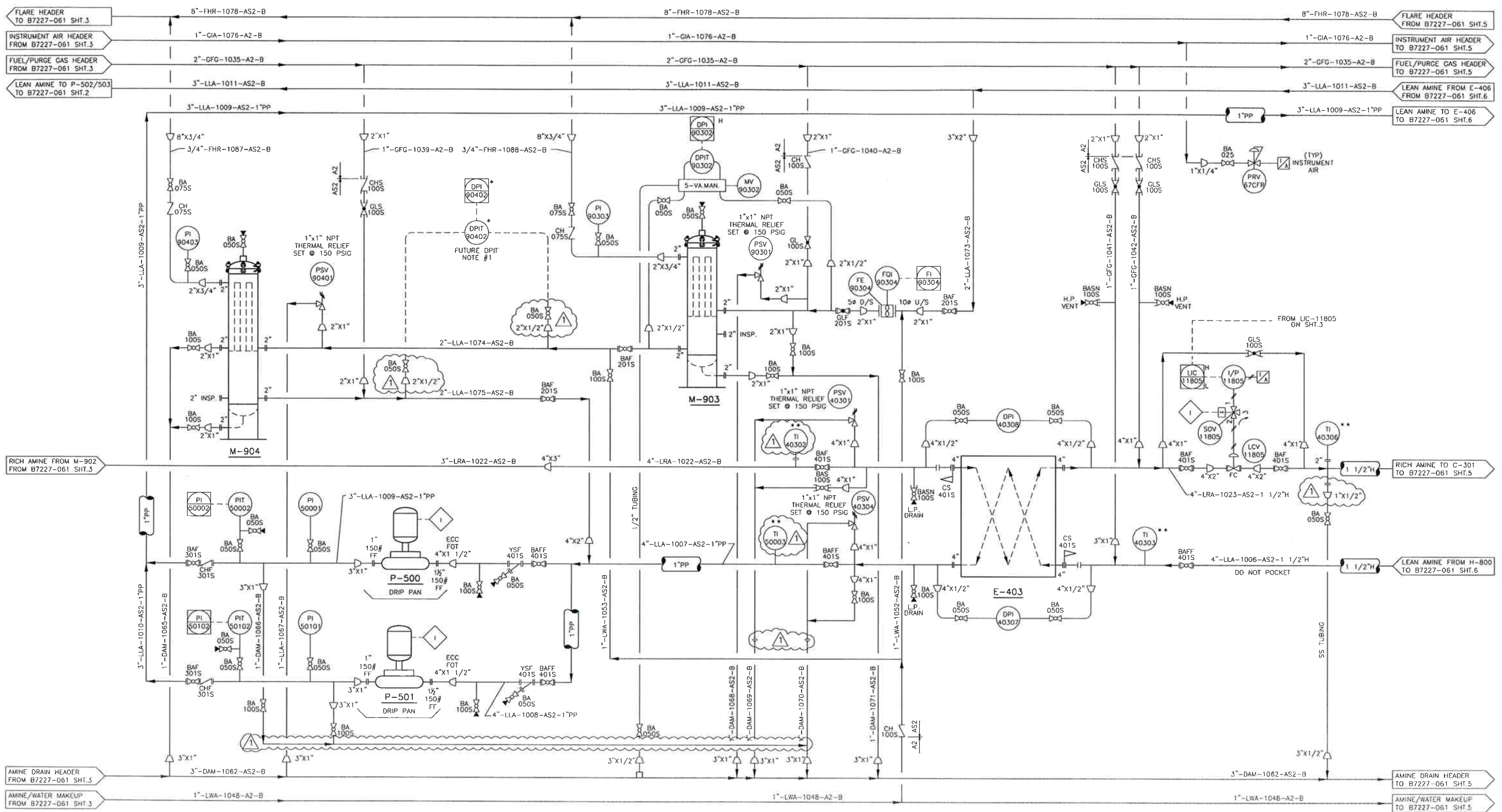




NOTES:
 * SHIPPED LOOSE FIELD INSTALLATION BY OTHERS

NO.	REVISION	BY	CHKD.	DATE
1	AS BUILT	SM		05/03/15
2	ISSUED FOR CONSTRUCTION	SM		05/09/10
3	ISSUED FOR APPROVAL	AB		05/04/11

CUSTOMER REFERENCE	54000-7 REV.0	CUSTOMER	FORT ENERGY CORPORATION c/o BDR ENGINEERING	JOB NO.	B7227-06
		PROJECT	SANDHILLS GAS PLANT LSD 07-25-62-06 W5M		
		TITLE	AMINE SWEETENING FACILITY PROCESS UNIT - P & ID		
DRWN	AB	APPROVED	EN	SCALE	DATE
				DATE	05/04/07
				DRAWING NUMBER	B7227-061 SHT. 3 OF 7



M-904
AMINE CARBON FILTER

P-500/501
LEAN AMINE BOOSTER PUMPS
DEAN INLINE PUMP
MODEL: GNV205

M-903
AMINE PARTICLE FILTER

E-403
RICH/LEAN AMINE EXCHANGER

NOTES:
 1) * DENOTES TO BE SUPPLIED AND INSTALLED BY OTHERS IN THE FUTURE
 2) ** SHIPPED LOOSE, FIELD INSTALLED BY OTHERS

NO	REVISION	BY	CHKD	DATE
1	AS BUILT	SM		06/03/15
2	ISSUED FOR CONSTRUCTION	SM		05/09/30
3	ISSUED FOR APPROVAL	AB		05/04/11

CUSTOMER REFERENCE: 54000-7 REV.0

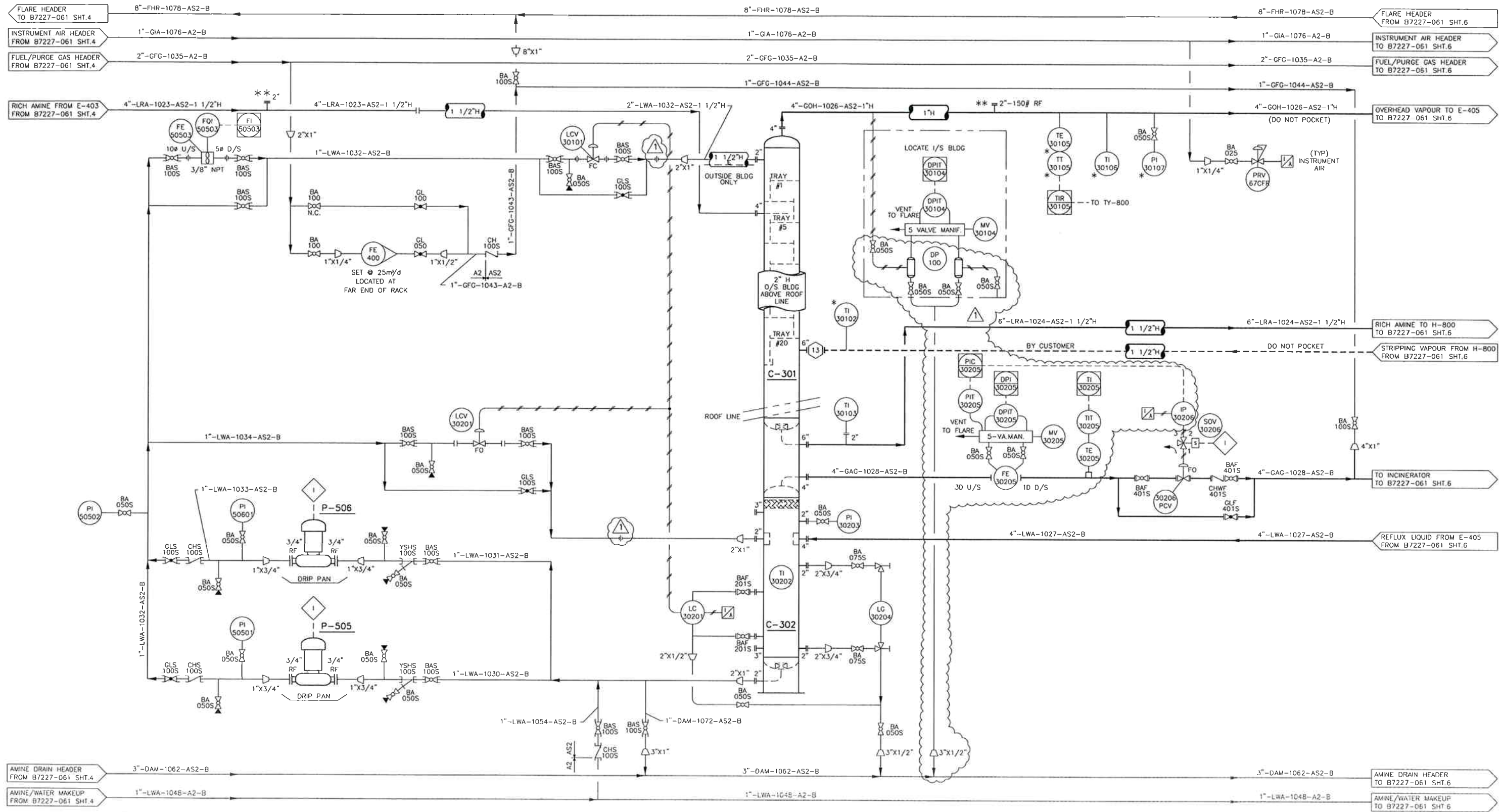


CUSTOMER: FORT ENERGY CORPORATION c/o BDR ENGINEERING

PROJECT: SANDHILLS GAS PLANT
LSD 07-25-62-06 W5M

FILE: AMINE SWEETENING FACILITY
PROCESS UNIT - P & ID

DRAWN: AB, CHS, JNS, SCALE: NTS, DATE: 05/04/07, DRAWING NUMBER: B7227-061 SHT. 4 OF 7



P-505/506
REFLUX PUMPS

C-301
AMINE REGENERATOR

C-302
REFLUX ACCUMULATOR

NOTES:

- 1) * SHIPPED LOOSE FOR FIELD INSTALLATION BY OTHERS
- 2) ** FOR CUSTOMER SUPPLIED/INSTALLED CORROSION COUPONS

NO.	REVISION	BY	CHKD	DATE
1	AS BUILT	SM		05/03/11
0	ISSUED FOR CONSTRUCTION	SM		05/09/30
A	ISSUED FOR APPROVAL	AB		05/04/11

CUSTOMER REFERENCE: 54000-7 REV.0

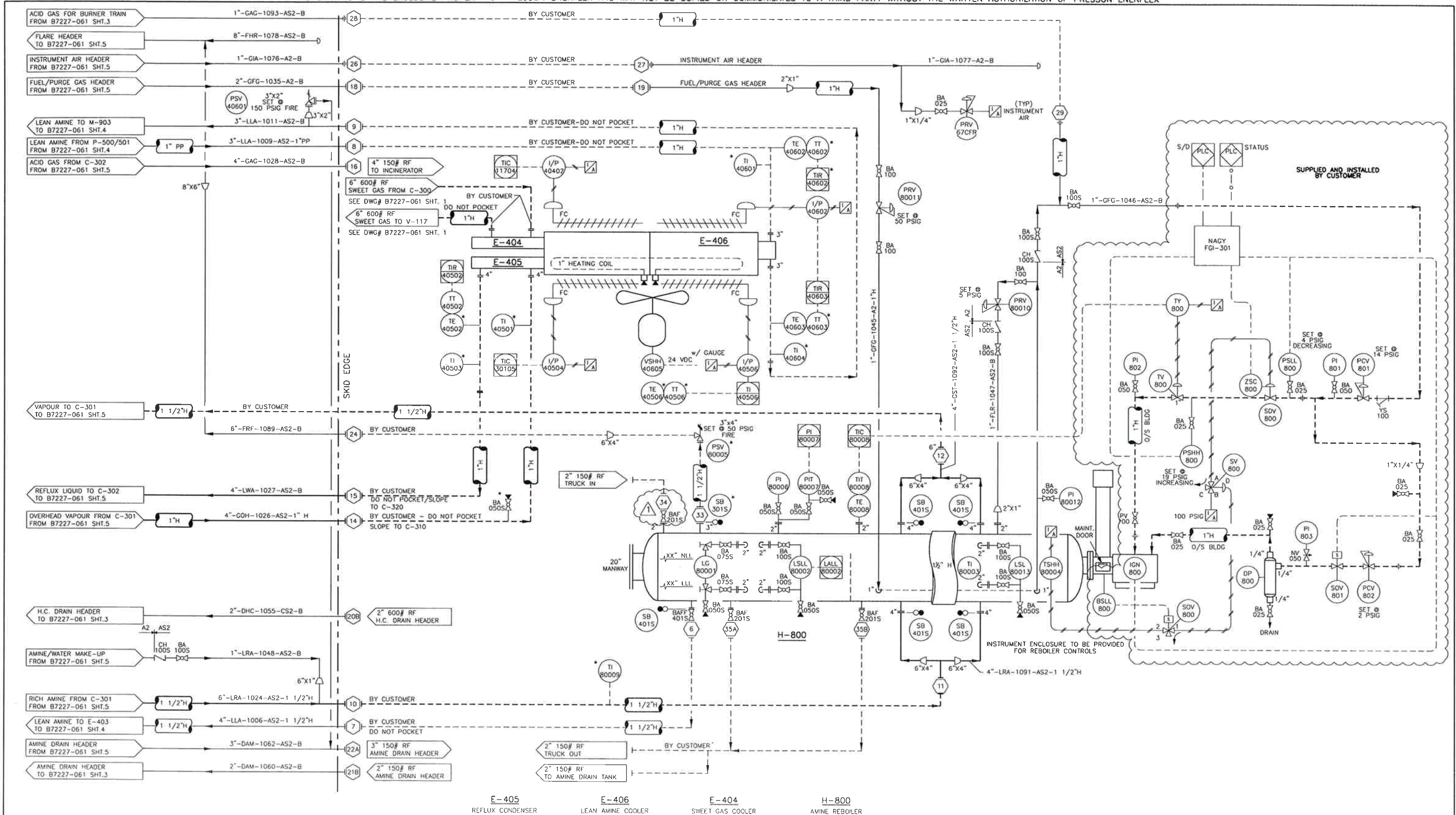


CUSTOMER: FORT ENERGY CORPORATION c/o BDR ENGINEERING

PROJECT: SANDHILLS GAS PLANT
LSD 07-25-62-06 W5M

TITLE: AMINE SWEETENING FACILITY
PROCESS UNIT - P & ID

DATE: 05/04/07
DRAWING NUMBER: B7227-061 SHT. 5 OF 7



NOTES:
 1) * SHIPPED LOOSE FOR FIELD INSTALLATION BY OTHERS.

E-405 REFLUX CONDENSER E-406 LEAN AMINE COOLER E-404 SWEET GAS COOLER H-800 AMINE REBOILER

CUSTOMER REFERENCE		54000-7 REV.0		CUSTOMER		FORT ENERGY CORPORATION c/o BDR ENGINEERING		JOB NO.		B7227-06	
PROJECT		SANDHILLS GAS PLANT		LSD 07-25-62-06 W5M		TITLE		AMINE SWEETENING FACILITY		PROCESS UNIT - P & ID	
DRAWN		AB		SCALE		NTS		DATE		05/04/07	
NO.		REVISION		BY		CHKD.		DATE		DRAWING NUMBER	
1		AS BUILT		SM		06/03/18					
0		ISSUED FOR CONSTRUCTION		SM		05/09/15					
A		ISSUED FOR APPROVAL		AB		05/04/11					



	PLC FIELD MOUNTED		ORIFICE FLANGES WITH METER RUN
	PLC CONTROL ROOM		FIGURE 8 BLIND (SPECTACLE BLIND)
	LOCAL CONTROL		CONTROL VALVE WITH DIAPHRAGM OPERATOR
	FRONT PANEL MOUNTED (LOCAL CONTROL PANEL)		SELF ACTUATED PRESSURE REGULATOR
	BACK PANEL MOUNTED (LOCAL CONTROL PANEL)		SOLENOID VALVE
	INDICATING LIGHT		PRESSURE SAFETY VALVE
	FIELD INSTALLED INSTRUMENT		CHECK VALVE
	TIE-IN POINT		GATE VALVE
	INSTRUMENT SUPPLY		PLUG VALVE
	BASKET STRAINER		GLOBE VALVE
	Y STRAINER		BALL VALVE
	TEMPORARY SUCTION STRAINER		NEEDLE VALVE
	SPEC. BREAK		ANGLE VALVE
	FIELD WELD		THREE WAY VALVE
	SNUBBER		GAGE COCK
	PNEUMATIC SIGNAL		BUTTERFLY VALVE
	ELECTRICAL SIGNAL		INLINE CHOKE
	CAPILLARY		ANGLE CHOKE
	HYDRAULIC		RESTRICTED ORIFICE
	CONTROL INTERLOCK		DIAPHRAGM
	PROCESS PIPING		TURBINE METER

ESDV	-EMERGENCY SHUTDOWN VALVE
SP	-SAMPLE PROBE
CSO	-CAR SEAL OPEN
CSC	-CAR SEAL CLOSED
UV	-PNEUMATIC 3-WAY LATCHING VALVE
POS	-POSITIONER
LSR	-LOW SELECT RELAY
LGH	-LEVEL CONTROL HIGH
ILG	-INTERFACE LEVEL GAUGE
ILC	-INTERFACE LEVEL CONTROLLER
ILSH	-INTERFACE LEVEL SWITCH HIGH
ILSL	-INTERFACE LEVEL SWITCH LOW

LIQUIDS SERVICE	LINE ABBREVIATIONS
BUTANE	LBU
CHEMICAL	LCH
HEAT MEDIUM	LHM
HYDROCARBON CONDENSATE	LHC
L.P.G.	LPG
LEAN AMINE	LLA
LEAN GLYCOL	LLG
METHANOL	LME
N.G.L.	LNG
OIL	LOI
PROCESSED WATER	LPW
PROPANE	LPR
RAW WATER	LRA
REFRIGERANT	LRE
RICH AMINE	LRA
RICH GLYCOL	LRG
STABILIZED CONDENSATE	LSC
WATER	LWA

EQUIPMENT IDENTIFICATION

B	- AIR BLOWER OR FAN
C	- VESSEL
E	- HEAT EXCHANGER
F	- FILTER
H	- FIRE HEATER OR BOILER
M	- FILTER
P	- PUMP
T	- STORAGE TANK
V	- VESSEL
UH	- UNIT HEATER
FS	- FLARE STACK

GAS SERVICE	LINE ABBREVIATIONS
ACID GAS	GAG
BUTANE	GBU
FUEL GAS	GFG
INSTRUMENT AIR	GIA
PROCESSED/SALES GAS	GPS
PROPANE	GPR
PURGE GAS	GPG
RAW GAS	GRG
SOUR GAS	GSG
STEAM	GST
UTILITY AIR	GUA
OVERHEADS GAS	GOH

DRAIN SERVICE	LINE ABBREVIATIONS
AMINE	DAM
GLYCOL	DGL
HYDROCARBON	DHC
OIL	DOI
WATER	DWA

FLARE SERVICE	LINE ABBREVIATIONS
ACID GAS RELIEF/FLARE	FAG
HP RELIEF/FLARE	FHR
LP RELIEF/FLARE	FLR
RELIEF/FLARE	FRF

TYPICAL PIPE IDENTIFICATION

8-LOW-1000-B-1HGT

LINE SIZE:	LINE SERVICE:	PRIMARY RATING	SWEET SERVICE	SOUR SERVICE	INSULATION THICKNESS:
NOMINAL INCHES	SEE LIST	ANSI 150#	A2	AS2	THICKNESS IN INCHES
		ANSI 300#	B2	BS2	
		ANSI 600#	C2	CS2	
		ANSI 900#	D2	DS2	
		ANSI 1500#	E2	ES2	

INSULATION TYPE:
 B - BARE PIPE
 H - HOT INSULATION
 C - COLD INSULATION
 PP - PERSONNEL PROTECTION

TRACING TYPE:
 GT - GLYCOL TRACED
 ST - STEAM TRACED
 OT - HOT OIL TRACED
 ET - ELECTRIC TRACED

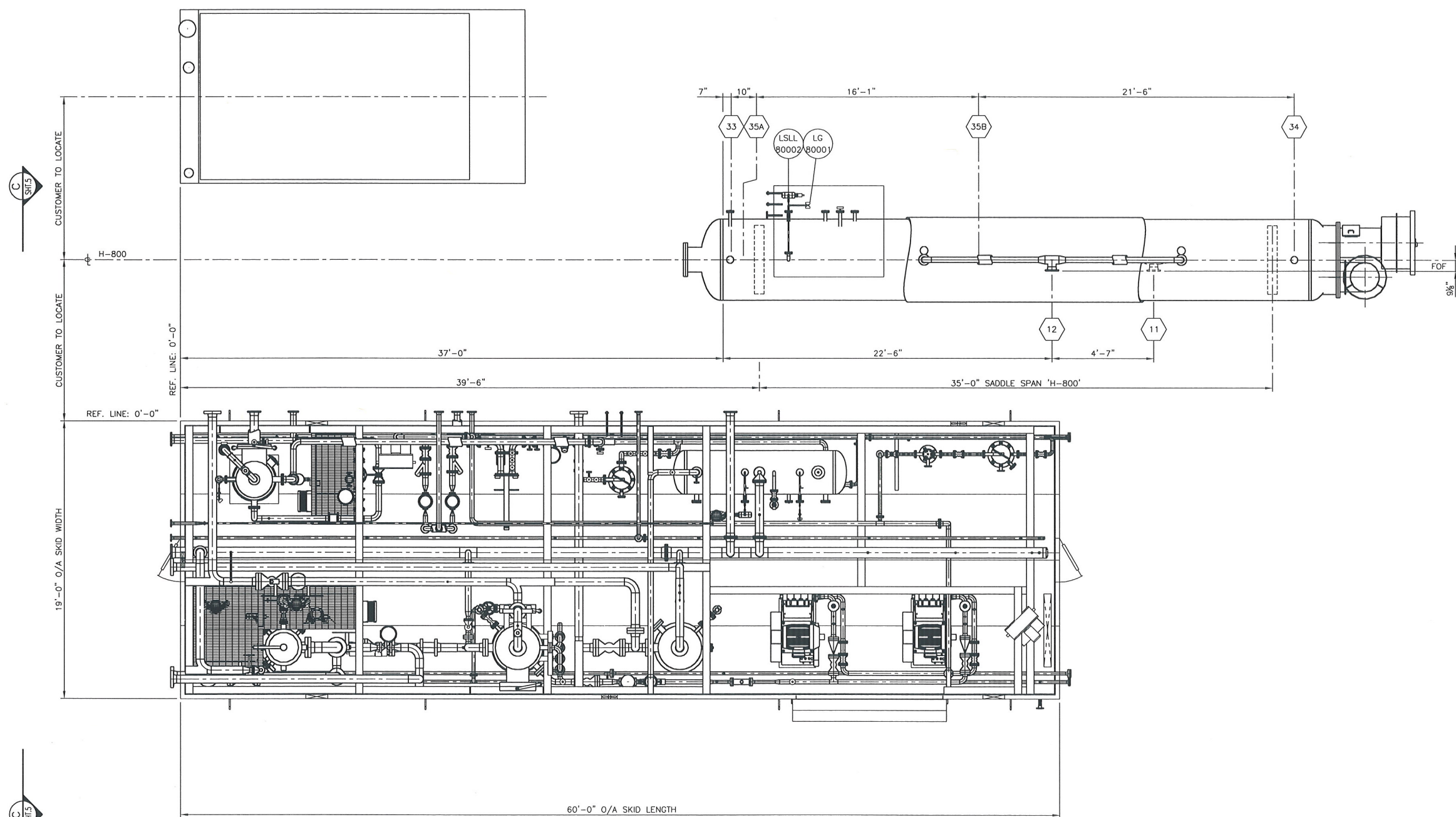
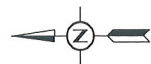
FLANGED VALVE IDENTIFICATION
BAFF-303S

VALVE TYPE	PORTING	SIZE	ANSI RATING	TRIM
BAF BALL	"-" -REGULAR PORT	15 1 1/2"	1 ANSI 150#	"-" SWEET
CHF CHECK	F -FULL PORT	20 2"	3 ANSI 300#	S SOUR
CHFW WAFER CHECK		30 3"	6 ANSI 600#	L LOW TEMP
GAF GATE		40 4"	9 ANSI 900#	X SOUR & LOW TEMP
GLF GLOBE		60 6"		Z REFER TO 1/L
BFL BUTTERFLY		80 8"		
YSF Y-STRAINER		100 10"		
BSF BASKET STRAINER				

THREADED VALVE IDENTIFICATION
BAS-100S

VALVE TYPE	END CONNECTION	SIZE	NEEDLE VALVES	TRIM
BA BALL	"-" -NPT	25 1/4"		"-" SWEET
CH CHECK	S SOCKETWELD	50 1/2"	051 B&B	S SOUR
GA GATE	SN SOCKETWELD x NPT	75 3/4"	076 B&B	L LOW TEMP
GL GLOBE		100 1"		X SOUR & LOW TEMP
NV NEEDLE		150 1 1/2"		Z REFER TO 1/L
YS STRAINER		200 2"		

				CUSTOMER REFERENCE	54000-7 REV.0	CUSTOMER	FORT ENERGY CORPORATION c/o BDR ENGINEERING	JOB NO.	B7227-06			
						PROJECT						
						SANDHILLS GAS PLANT LSD 07-25-62-06 W5M						
						FILE						
						AMINE SWEETENING FACILITY PROCESS UNIT - P & ID						
NO.	REVISION	BY	CHKD.	DATE	DRWN	AEI	SCALE	NTS	DATE	05/04/07	DRAWING NUMBER	B7227-061 SHT. 7 OF 7
1	AS BUILT	SM		06/03/15								
0	ISSUED FOR CONSTRUCTION	SM		05/09/10								
A	ISSUED FOR APPROVAL	AB		05/04/11								



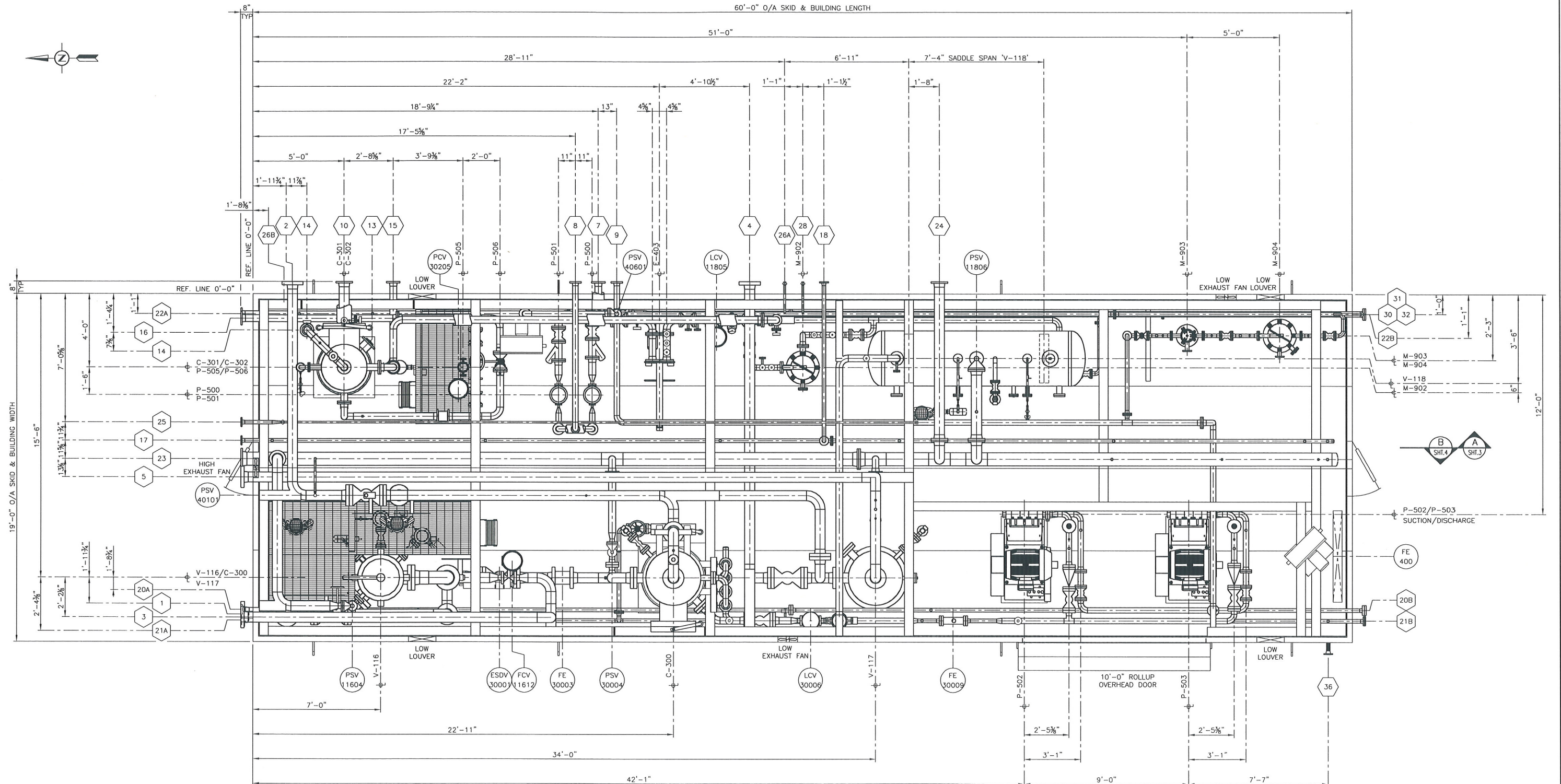
TIE-IN SCHEDULE			
1	8" 600# RF SOUR GAS INLET EL. 9'-5 1/2" ± PROJ. 7 1/2"	9	3" 150# RF LEAN AMINE FROM E-406 EL. 9'-2" ± PROJ. 8 1/2"
2	6" 600# RF SWEET GAS TO E-404 EL. 13'-7" ± PROJ. 6 1/2"	10	6" 150# RF RICH AMINE TO H-800 EL. 13'-5" ± PROJ. 6 1/2"
3	6" 600# RF AMINE PLANT BYPASS EL. 12'-0" BOP PROJ. 7 1/2"	11	6" 150# RF RICH AMINE FROM C-301 EL. 8'-9 3/4" ± PROJ. 6 1/2"
4	6" 600# RF GAS FROM E-404 EL. 8'-3" ± PROJ. 6 1/2"	12	6" 150# RF VAPOR TO C-301 EL. 15'-3 1/2" ± PROJ. 6 1/2"
5	6" 600# RF SWEET GAS OUTLET EL. 12'-0" BOP PROJ. 8 1/2"	13	6" 150# RF VAPOR FROM H-800 EL. 18'-11" ± PROJ. 6 1/2"
6	4" 150# RF LEAN AMINE TO E-403 EL. 6'-9 3/4" FOF 4" 150# RF	14	4" 150# RF OVERHEAD VAPOR TO E-405 EL. 18'-0" FOF 4" 150# RF
7	4" 150# RF LEAN AMINE FROM H-800 EL. 5'-7 1/2" ± PROJ. 7"	15	4" 150# RF REFLUX LIQUID TO C-302 EL. 6'-10 1/2" ± PROJ. 8"
8	3" 150# RF LEAN AMINE TO E-406 EL. 13'-5 1/2" ± PROJ. 7 1/2"	16	4" 150# RF GAS TO INCINERATOR EL. 9'-8 1/2" ± PROJ. 7 1/2"
17	2" 150# RF FUEL/PURGE GAS INLET EL. 9'-0" BOP PROJ. 7 1/2"	18	2" 150# RF FUEL GAS TO H-800 EL. 10'-6" BOP PROJ. 8 1/2"
19	2" 150# RF FUEL GAS FROM HEADER EL. 8'-0" ± PROJ. 8 1/2"	20A	2" 600# RF HC DRAIN HEADER EL. 0'-5 1/2" ± PROJ. 8 1/2"
20B	2" 600# RF HC DRAIN HEADER EL. 0'-5 1/2" ± PROJ. 8"	21A	2" 150# RF AMINE DRAIN HEADER EL. 0'-5 1/2" ± PROJ. 9 1/2"
21B	2" 150# RF AMINE DRAIN HEADER EL. 0'-5 1/2" ± PROJ. 7 1/2"	22A	2" 150# RF AMINE DRAIN HEADER EL. 0'-6" ± PROJ. 7 1/2"
22B	3" 150# RF AMINE DRAIN HEADER EL. 0'-6" ± PROJ. 8"	23	8" 150# RF FLARE HEADER EL. 9'-0" BOP PROJ. 7 1/2"
24	6" 150# RF FLARE FROM PSV-80005 EL. 11'-0 1/4" ± PROJ. 8 1/2"	25	2" 150# RF INSTRUMENT AIR HEADER EL. 12'-0" BOP PROJ. 8 1/2"
26A	1" 3000# NPT INSTRUMENT AIR TO H-800 EL. 10'-6" BOP PROJ. 7 1/2"	26B	1" 3000# NPT INSTRUMENT AIR TO H-800 EL. 8'-0" ± PROJ. 9 1/2"
27	1" 3000# NPT INSTRUMENT AIR FROM HEADER EL. 8'-0" ± PROJ. 9 1/2"	28	1" 3000# NPT ACID GAS TO H-800 EL. 10'-6" BOP PROJ. 7 1/2"
29	1" 3000# NPT ACID GAS FROM V-118 EL. 8'-0" ± PROJ. 8 1/2"	30	1" 3000# NPT TRUCK IN EL. 1'-2 1/2" ± PROJ. 8 1/2"
31	1" 3000# NPT FROM WATER TANK EL. 2'-11 1/4" ± PROJ. 8 1/2"	32	1" 3000# NPT FROM AMINE TANK EL. 3'-11 1/2" ± PROJ. 8 1/2"
33	3" 150# RF TO PSV-80005 EL. 14'-5" FOF	34	2" 150# RF FROM TRUCK IN EL. 14'-5" FOF
35A	2" 150# RF TO AMINE DRAIN TANK/TRUCK OUT EL. 6'-11 1/2" FOF	35B	2" 150# RF TO AMINE DRAIN TANK/TRUCK OUT EL. 6'-11 1/2" FOF
36	2" 150# RF SKID DRAIN EL. -0'-7 1/2" ± PROJ. 8 1/2"		

NOTES:
 1) ALL ELEVATIONS ARE TAKEN FROM TOP OF CHECKER PL REF ELEV 0'-0".
 2) FOR PIPING SURFACE PREP AND PAINT NOTES SEE INSTRUMENT LIST.
 3) SHOP SUPPORT ALL PIPING AS REQUIRED
 4) ALL PIPING UNDER 2" NPS, SHOWN FOR REFERENCE ONLY

CUSTOMER REFERENCE		54000-7REV.0		CUSTOMER: FORT ENERGY CORPORATION c/o BDR ENGINEERING		JOB NO. B7227-06	
PROJECT:		SANDHILLS GAS PLANT LSD 07-25-62-06 W5M					
TITLE:		AMINE SWEETENING FACILITY PLOT PLAN					
NO.	REVISION	BY	CHKD.	DATE	SCALE	DATE	DRAWING NUMBER
1	AS BUILT	KMS		05/12/20	1/4"=1'-0"	05/09/29	B7227-360 SHT. 1 OF 5
0	ISSUED FOR CONSTRUCTION	CM		05/09/29			



60'-0" O/A SKID & BUILDING LENGTH



TIE-IN SCHEDULE

1 8" 600# RF SOUR GAS INLET EL. 9'-5 1/4" ± PROJ. 7 1/2"	9 3" 150# RF LEAN AMINE FROM E-406 EL. 9'-2" ± PROJ. 8 1/2"	17 2" 150# RF FUEL/PURGE GAS INLET EL. 9'-0" BOP PROJ. 7 1/2"	22B 3" 150# RF AMINE DRAIN HEADER EL. 8'-0" ± PROJ. 8"	29 1" 3000# NPT ACID GAS FROM V-118 EL. 8'-0" ± PROJ. 8 1/2"	32 1" 3000# NPT FROM AMINE TANK EL. 3'-11 1/2" ± PROJ. 8 1/2"
2 6" 600# RF SWEET GAS TO E-404 EL. 13'-7" ± PROJ. 6 1/2"	10 6" 150# RF RICH AMINE TO H-800 EL. 13'-5" ± PROJ. 8 1/2"	18 2" 150# RF FUEL GAS TO H-800 EL. 10'-6" BOP PROJ. 8 1/2"	23 6" 150# RF FLARE HEADER EL. 9'-0" BOP PROJ. 7 1/2"	30 1" 3000# NPT TRUCK IN EL. 1'-2 1/2" ± PROJ. 8 1/2"	33 3" 150# RF FROM PSV-80005 EL. 14'-5" FOF
3 6" 600# RF AMINE PLANT BYPASS EL. 12'-0" BOP PROJ. 7 1/2"	11 6" 150# RF RICH AMINE FROM C-301 EL. 6'-9 3/4" ± PROJ. 8 1/2"	19 2" 150# RF FUEL GAS FROM HEADER EL. 8'-0" ± PROJ. 8 1/2"	24 6" 150# RF FLARE FROM PSV-80005 EL. 11'-0 1/4" ± PROJ. 8 1/2"	31 1" 3000# NPT FROM WATER TANK EL. 2'-11 1/4" ± PROJ. 8 1/2"	34 2" 150# RF FROM TRUCK IN EL. 14'-5" FOF
4 6" 600# RF GAS FROM E-404 EL. 8'-3" ± PROJ. 6 1/2"	12 6" 150# RF VAPOR TO C-301 EL. 15'-3 1/4" ± PROJ. 8 1/2"	20A 2" 600# RF HC DRAIN HEADER EL. 0'-5 1/4" ± PROJ. 8 1/2"	25 6" 150# RF INSTRUMENT AIR HEADER EL. 12'-0" BOP PROJ. 8 1/2"	35A 2" 150# RF TO AMINE DRAIN TANK/TRUCK OUT EL. 6'-11 1/2" FOF	35B 2" 150# RF TO AMINE DRAIN TANK/TRUCK OUT EL. 6'-11 1/2" FOF
5 4" 150# RF SWEET GAS OUTLET EL. 12'-0" BOP PROJ. 8 1/2"	13 4" 150# RF VAPOR FROM H-800 EL. 18'-11" ± PROJ. 8 1/2"	20B 2" 600# RF HC DRAIN HEADER EL. 0'-5 1/4" ± PROJ. 8"	26A 1" 3000# NPT INSTRUMENT AIR TO H-800 EL. 10'-6" BOP PROJ. 7 1/4"	36 1" 3000# NPT SKID DRAIN EL. -0'-7 1/2" ± PROJ. 8 1/2"	
6 4" 150# RF LEAN AMINE TO E-403 EL. 6'-9 3/4" FOF	14 4" 150# RF OVERHEAD VAPOR TO E-405 EL. 18'-0" FOF	21A 2" 150# RF AMINE DRAIN HEADER EL. 0'-5 1/4" ± PROJ. 9 1/2"	26B 1" 3000# NPT INSTRUMENT AIR TO H-800 EL. 8'-0" ± PROJ. 9 1/2"		
7 3" 150# RF LEAN AMINE FROM H-800 EL. 5'-7 1/2" ± PROJ. 7"	15 4" 150# RF REFLUX LIQUID TO C-302 EL. 6'-10 1/2" ± PROJ. 8"	21B 2" 150# RF AMINE DRAIN HEADER EL. 0'-5 1/4" ± PROJ. 7 3/4"	27 1" 3000# NPT INSTRUMENT AIR FROM HEADER EL. 8'-0" ± PROJ. 9 1/2"		
8 3" 150# RF LEAN AMINE TO E-406 EL. 13'-5 1/4" ± PROJ. 7 1/2"	16 4" 150# RF GAS TO INCINERATOR EL. 9'-8 1/2" ± PROJ. 7 1/2"	22A 3" 150# RF AMINE DRAIN HEADER EL. 0'-6" ± PROJ. 7 1/2"	28 1" 3000# NPT ACID GAS TO H-800 EL. 10'-6" BOP PROJ. 7 1/2"		

- NOTES:**
- 1) ALL ELEVATIONS ARE TAKEN FROM TOP OF CHECKER PL REF ELEV 0'-0".
 - 2) FOR PIPING SURFACE PREP AND PAINT NOTES SEE INSTRUMENT LIST.
 - 3) SHOP SUPPORT ALL PIPING AS REQUIRED
 - 4) ALL PIPING UNDER 2" NPS, SHOWN FOR REFERENCE ONLY
 - 5) TOTAL APPROX PACKAGE WEIGHT: 195,000 lbs (88,500 kg).

NO.	REVISION	BY	CHKD.	DATE
1	AS BUILT	KMS		05/12/20
0	ISSUED FOR CONSTRUCTION	CM		05/09/29

CUSTOMER REFERENCE: 54000-7REV.0

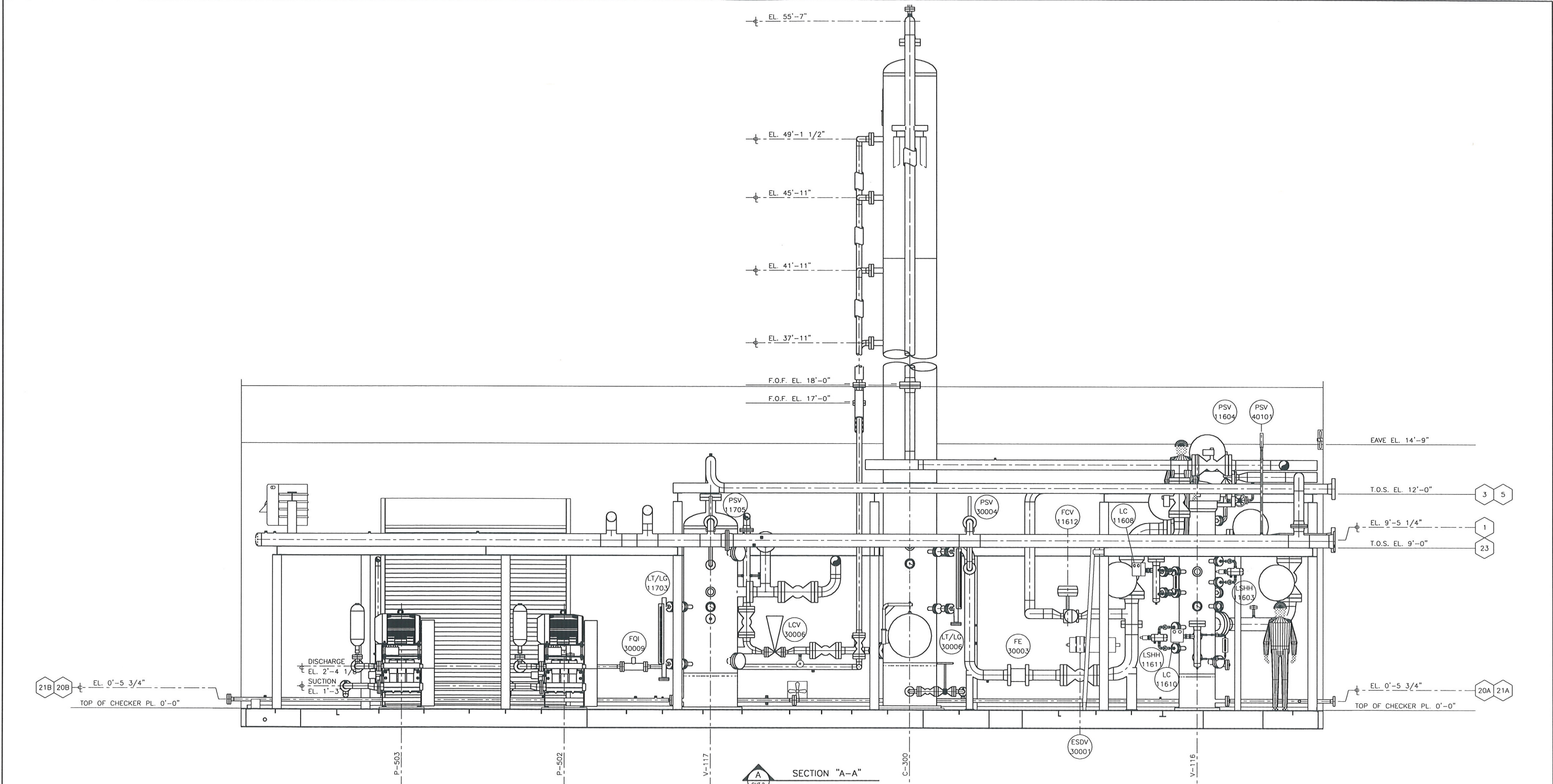
CUSTOMER: FORT ENERGY CORPORATION c/o BDR ENGINEERING JOB NO: B7227-06

PROJECT: SANDHILLS GAS PLANT
LSD 07-25-62-06 WSM

TITLE: AMINE SWEETENING FACILITY
GENERAL ARRANGEMENT

Presson
ENERFLEX

SCALE: 3/8" = 1'-0" DATE: 05/09/29 DRAWING NUMBER: B7227-360 SHT. 2 OF 5



TIE-IN SCHEDULE

1 8" 600# RF SOUR GAS INLET EL. 9'-5 1/4" ± PROJ. 7 3/4"	9 3" 150# RF LEAN AMINE FROM E-406 EL. 9'-2" ± PROJ. 8 5/8"	17 2" 150# RF FUEL/PURGE GAS INLET EL. 9'-0" BOP PROJ. 7 1/2"	22B 3" 150# RF AMINE DRAIN HEADER EL. 0'-6" ± PROJ. 8"	29 1" 3000# NPT ACID GAS FROM V-118 EL. 8'-0" ± PROJ. 8"	32 1" 3000# NPT FROM AMINE TANK EL. 3'-11 1/2" ± PROJ. 8 5/8"	35A 2" 150# RF TO AMINE DRAIN TANK/TRUCK OUT EL. 6'-11 1/2" FOF
2 6" 600# RF SWEET GAS TO E-404 EL. 13'-7" ± PROJ. 6 5/8"	10 6" 150# RF RICH AMINE TO H-800 EL. 13'-5" ± PROJ. 6 5/8"	18 2" 150# RF FUEL GAS TO H-800 EL. 10'-6" BOP PROJ. 8 5/8"	23 8" 150# RF FLARE HEADER EL. 9'-0" BOP PROJ. 7 3/4"	30 1" 3000# NPT TRUCK IN EL. 1'-2 3/4" ± PROJ. 8 1/2"	33 3" 150# RF TO PSV-80005 EL. 14'-5" FOF	35B 2" 150# RF TO AMINE DRAIN TANK/TRUCK OUT EL. 6'-11 1/2" FOF
3 6" 600# RF AMINE PLANT BYPASS EL. 12'-0" BOP PROJ. 7 1/2"	11 6" 150# RF RICH AMINE FROM C-301 EL. 6'-9 3/4" ± PROJ. 6 5/8"	19 2" 150# RF FUEL GAS FROM HEADER EL. 8'-0" ± PROJ. 8"	24 6" 150# RF FLARE FROM PSV-80005 EL. 11'-0 1/2" ± PROJ. 8 1/2"	31 1" 3000# NPT FROM WATER TANK EL. 2'-11 1/4" ± PROJ. 8 5/8"	34 2" 150# RF FROM TRUCK IN EL. 14'-5" FOF	36 2" 150# RF SKID DRAIN EL. 0'-0" ± PROJ. 7 3/4"
4 6" 600# RF GAS FROM E-404 EL. 8'-3" ± PROJ. 6 1/2"	12 6" 150# RF VAPOR TO C-301 EL. 15'-3 1/2" ± PROJ. 6 5/8"	20A 2" 600# RF HC DRAIN HEADER EL. 8'-0" ± PROJ. 8 5/8"	25 1" 3000# NPT INSTRUMENT AIR HEADER EL. 12'-0" BOP PROJ. 8 5/8"			
5 6" 600# RF SWEET GAS OUTLET EL. 12'-0" BOP PROJ. 8 1/2"	13 4" 150# RF VAPOR FROM H-800 EL. 18'-11" ± PROJ. 6 5/8"	20B 2" 600# RF HC DRAIN HEADER EL. 0'-5 1/2" ± PROJ. 8"	26A 1" 3000# NPT INSTRUMENT AIR TO H-800 EL. 10'-6" BOP PROJ. 7 3/4"			
6 4" 150# RF LEAN AMINE TO E-403 EL. 6'-9 3/4" FOF	14 4" 150# RF OVERHEAD VAPOR TO E-405 EL. 18'-0" FOF	21A 2" 150# RF AMINE DRAIN HEADER EL. 0'-5 1/2" ± PROJ. 9 5/8"	26B 1" 3000# NPT INSTRUMENT AIR TO H-800 EL. 8'-0" ± PROJ. 9 5/8"			
7 4" 150# RF LEAN AMINE FROM H-800 EL. 5'-7 1/2" ± PROJ. 7"	15 4" 150# RF REFLUX LIQUID TO C-302 EL. 6'-10 1/2" ± PROJ. 8"	21B 2" 150# RF AMINE DRAIN HEADER EL. 0'-5 1/2" ± PROJ. 7 3/4"	27 1" 3000# NPT INSTRUMENT AIR FROM HEADER EL. 8'-0" ± PROJ. 9 5/8"			
8 3" 150# RF LEAN AMINE TO E-406 EL. 13'-5 1/4" ± PROJ. 7 3/4"	16 4" 150# RF GAS TO INCINERATOR EL. 9'-8 1/2" ± PROJ. 7 5/8"	22A 3" 150# RF AMINE DRAIN HEADER EL. 0'-6" ± PROJ. 7 5/8"	28 1" 3000# NPT ACID GAS TO H-800 EL. 10'-6" BOP PROJ. 7 1/2"			

NOTES:

- 1) ALL ELEVATIONS ARE TAKEN FROM TOP OF CHECKER PL. REF. ELEV. 0'-0".
- 2) FOR PIPING SURFACE PREP AND PAINT NOTES SEE INSTRUMENT LIST.
- 3) SHOP SUPPORT ALL PIPING AS REQUIRED.
- 4) ALL PIPING UNDER 2" NPS, SHOWN FOR REFERENCE ONLY.

CUSTOMER REFERENCE 54000-7REV.0

CUSTOMER: FORT ENERGY CORPORATION c/o BDR ENGINEERING JOB NO. B7227-06

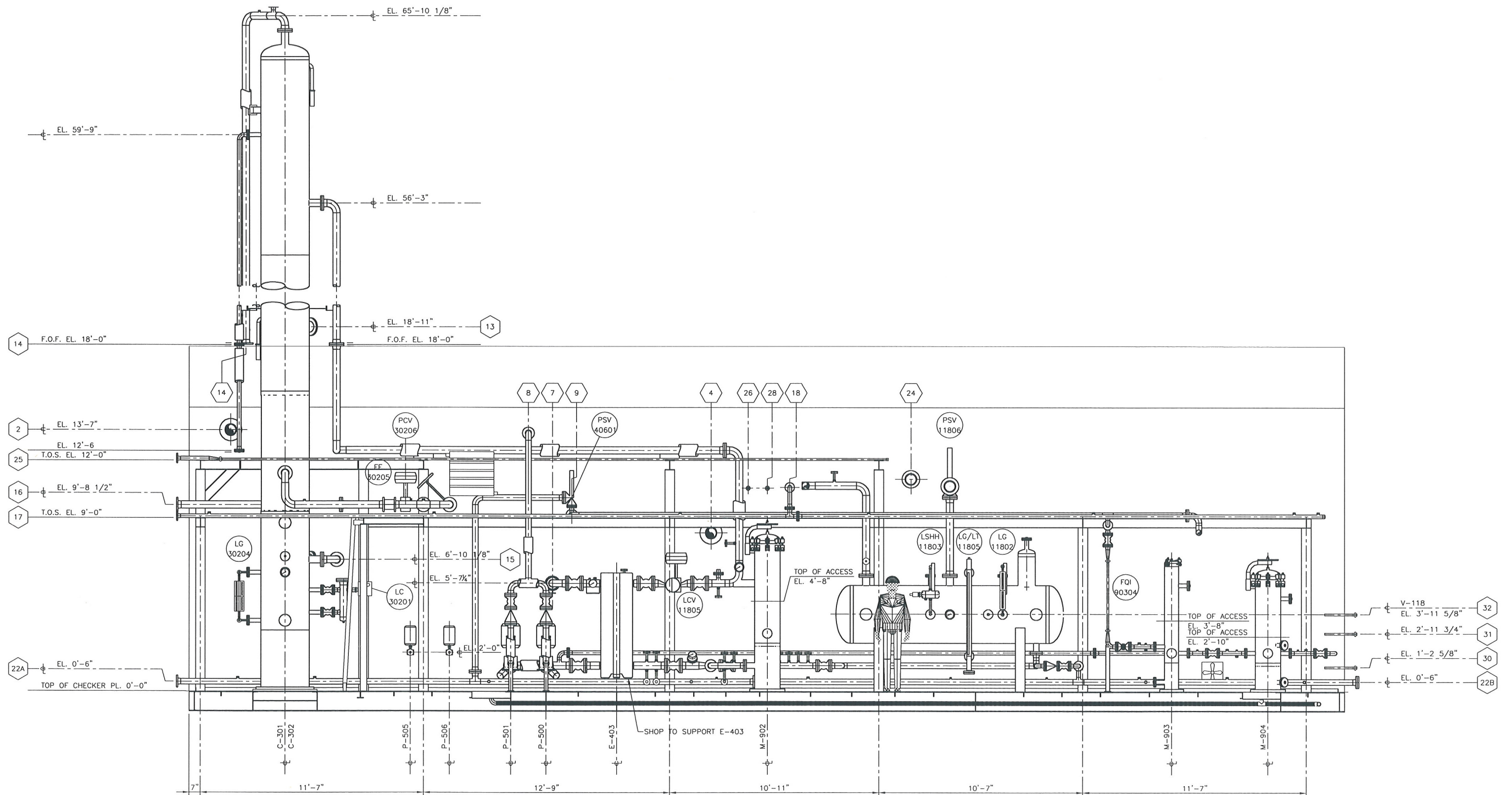
PROJECT: SANDHILLS GAS PLANT
LSD 07-25-62-06 W5M

TITLE: AMINE SWEETENING FACILITY
SECTION A-A

Presson
ENERFLEX

NO.	REVISION	BY	CHKD.	DATE
1	AS BUILT	KMS		05/12/20
0	ISSUED FOR CONSTRUCTION	CM		05/09/29

DRAWN: CM CHECKED: APPROVED: SCALE: 3/8"=1'-0" DATE: 05/09/29 DRAWING NUMBER: B7227-360 SHT. 3 OF 5



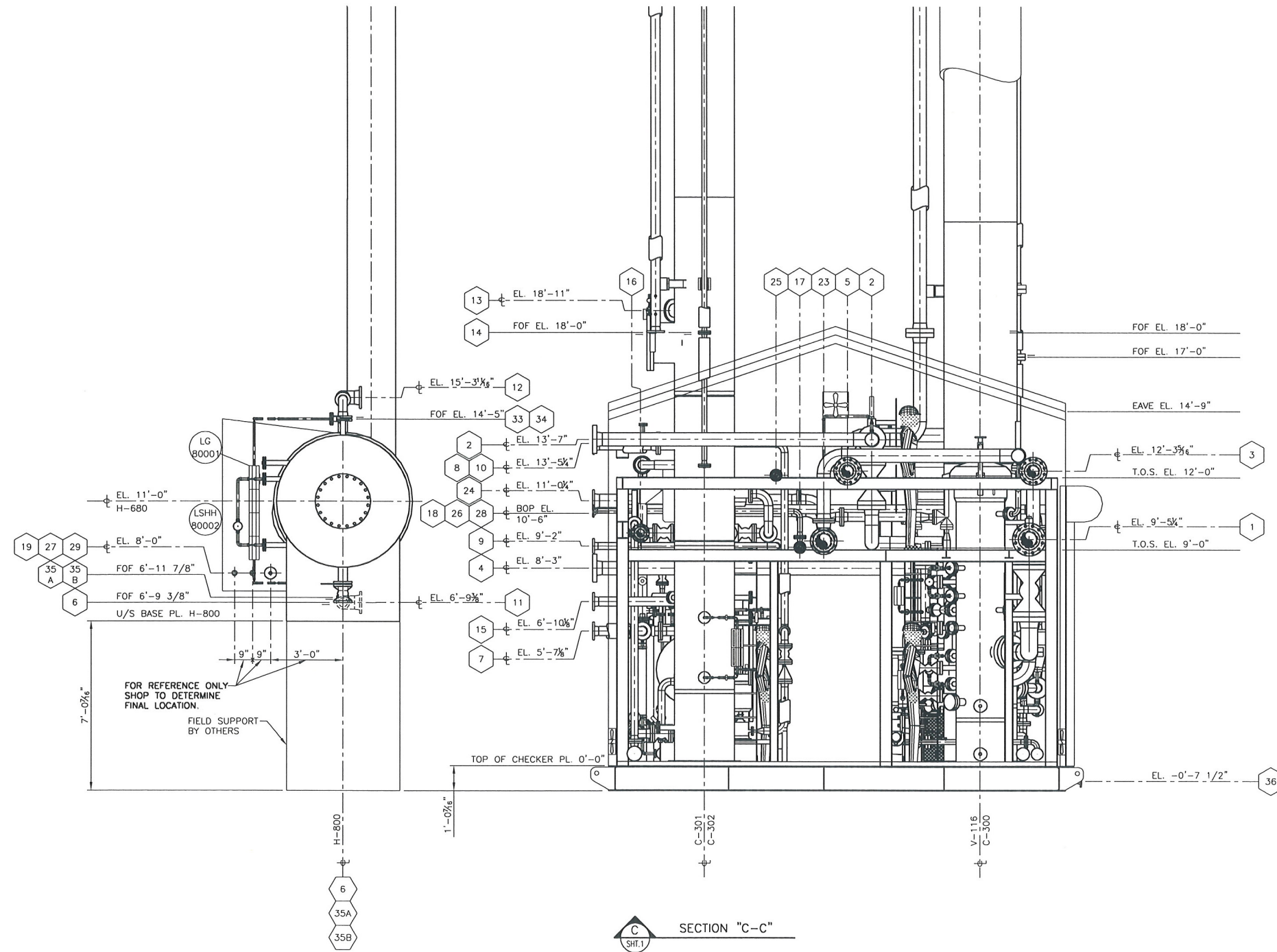
B
SECTION "B-B"
SHT. 2

TIE-IN SCHEDULE

1 8" 600# RF SOUR GAS INLET EL. 9'-5 1/4" ± PROJ. 7 3/4"	9 3" 150# RF LEAN AMINE FROM E-406 EL. 9'-2" ± PROJ. 8 5/8"	17 2" 150# RF FUEL/PURGE GAS INLET EL. 9'-0" BOP PROJ. 7 1/2"	22B 3" 150# RF AMINE DRAIN HEADER EL. 0'-6" ± PROJ. 8"	29 1" 3000# NPT ACID GAS FROM V-118 EL. 8'-0" ± PROJ. 8 1/2"	32 2" 150# RF TO AMINE DRAIN TANK/TRUCK OUT EL. 6'-11 1/2" FOF
2 6" 600# RF SWEET GAS TO E-404 EL. 13'-7" ± PROJ. 6 5/8"	10 6" 150# RF RICH AMINE TO H-800 EL. 13'-5" ± PROJ. 6 1/2"	18 2" 150# RF FUEL GAS TO H-800 EL. 10'-6" BOP PROJ. 8 5/8"	23 8" 150# RF FLARE HEADER EL. 9'-0" BOP PROJ. 7 3/4"	30 1" 3000# NPT TRUCK IN EL. 1'-2 1/2" ± PROJ. 8 1/4"	33 3" 150# RF TO PSV-80005 EL. 14'-5" FOF
3 6" 600# RF AMINE PLANT BYPASS EL. 12'-0" BOP PROJ. 7 1/2"	11 6" 150# RF RICH AMINE FROM C-301 EL. 8'-9 3/4" ± PROJ. 6 1/2"	19 2" 150# RF FUEL GAS FROM HEADER EL. 8'-0" ± PROJ. 8 1/2"	24 6" 150# RF FLARE FROM PSV-80005 EL. 11'-0 1/2" ± PROJ. 8 1/2"	31 1" 3000# NPT FROM WATER TANK EL. 2'-11 1/2" ± PROJ. 8 5/8"	34 2" 150# RF FROM TRUCK IN EL. 14'-5" FOF
4 6" 600# RF GAS FROM E-404 EL. 8'-3" ± PROJ. 6 1/2"	12 6" 150# RF VAPOR TO C-301 EL. 15'-3 1/4" ± PROJ. 6 1/2"	20A 2" 600# RF HC DRAIN HEADER EL. 0'-5 1/4" ± PROJ. 8 1/2"	25 2" 600# RF INSTRUMENT AIR HEADER EL. 12'-0" BOP PROJ. 8 5/8"	35A 2" 150# RF TO AMINE DRAIN TANK/TRUCK OUT EL. 6'-11 1/2" FOF	35B 2" 150# RF TO AMINE DRAIN TANK/TRUCK OUT EL. 6'-11 1/2" FOF
5 4" 150# RF SWEET GAS OUTLET EL. 12'-0" BOP PROJ. 8 1/2"	13 4" 150# RF VAPOR FROM H-800 EL. 18'-11" ± PROJ. 4"	20B 2" 600# RF HC DRAIN HEADER EL. 0'-5 1/4" ± PROJ. 8"	26A 1" 3000# NPT INSTRUMENT AIR TO H-800 EL. 10'-6" BOP PROJ. 7 3/4"	36 2" 150# RF SKID DRAIN EL. 0'-7 1/2" ± PROJ. 7 1/2"	
6 4" 150# RF LEAN AMINE TO E-403 EL. 6'-9 3/4" FOF	14 4" 150# RF OVERHEAD VAPOR TO E-405 EL. 18'-0" FOF	21A 2" 150# RF AMINE DRAIN HEADER EL. 0'-5 1/4" ± PROJ. 9 3/4"	26B 1" 3000# NPT INSTRUMENT AIR TO H-800 EL. 8'-0" ± PROJ. 9 3/4"		
7 4" 150# RF LEAN AMINE FROM H-800 EL. 5'-7 1/2" ± PROJ. 7"	15 4" 150# RF REFLUX LIQUID TO C-302 EL. 6'-10 1/2" ± PROJ. 8"	21B 2" 150# RF AMINE DRAIN HEADER EL. 0'-5 1/4" ± PROJ. 7 3/4"	27 1" 3000# NPT INSTRUMENT AIR FROM HEADER EL. 8'-0" ± PROJ. 8 1/2"		
8 3" 150# RF LEAN AMINE TO E-406 EL. 13'-5 1/4" ± PROJ. 7 3/4"	16 4" 150# RF GAS TO INCINERATOR EL. 9'-8 1/2" ± PROJ. 7 1/2"	22A 2" 150# RF AMINE DRAIN HEADER EL. 0'-6" ± PROJ. 7 1/2"	28 3" 150# NPT ACID GAS TO H-800 EL. 10'-6" BOP PROJ. 7 1/2"		

- NOTES:**
- 1) ALL ELEVATIONS ARE TAKEN FROM TOP OF CHECKER PL REF ELEV 0'-0".
 - 2) FOR PIPING SURFACE PREP AND PAINT NOTES SEE INSTRUMENT LIST.
 - 3) SHOP SUPPORT ALL PIPING AS REQUIRED
 - 4) ALL PIPING UNDER 2" NPS, SHOWN FOR REFERENCE ONLY

CUSTOMER REFERENCE	54000-7REV.0	CUSTOMER	FORT ENERGY CORPORATION c/o BDR ENGINEERING	JOB NO.	B7227-06
		PROJECT:	SANDHILLS GAS PLANT LSD 07-25-62-06 W5M		
		TITLE:	AMINE SWEETENING FACILITY SECTION B-B		
NO.	REVISION	BY	CHKD.	DATE	
1	AS BUILT	KMS		05/12/20	
0	ISSUED FOR CONSTRUCTION	CM		05/09/29	
DRAWN	CHECKED	APPROVED	SCALE	DATE	DRAWING NUMBER
CM			3/8"=1'-0"	05/09/29	B7227-360 SHT. 4 OF 5



TIE-IN SCHEDULE

1 8" 600# RF SOUR GAS INLET EL. 9'-5 1/2" ± PROJ. 7 1/2"	9 3" 150# RF LEAN AMINE FROM E-406 EL. 9'-2" ± PROJ. 8 5/8"	17 2" 150# RF FUEL/PURGE GAS INLET EL. 9'-0" BOP PROJ. 7 1/2"	22B 3" 150# RF AMINE DRAIN HEADER EL. 0'-6" ± PROJ. 8"	29 1" 3000# NPT ACID GAS FROM V-118 EL. 8'-0" ± PROJ. 8"	32 1" 3000# NPT FROM AMINE TANK EL. 3'-11 1/2" ± PROJ. 8 5/8"
2 6" 600# RF SWEET GAS TO E-404 EL. 13'-7" ± PROJ. 6 5/8"	10 6" 150# RF RICH AMINE TO H-800 EL. 13'-5" ± PROJ. 6"	18 2" 150# RF FUEL GAS TO H-800 EL. 10'-6" BOP PROJ. 8 5/8"	23 8" 150# RF FLARE HEADER EL. 9'-0" BOP PROJ. 7 3/4"	30 1" 3000# NPT TRUCK IN EL. 1'-2 1/2" ± PROJ. 8 1/2"	33 3" 150# RF TO PSV-80005 EL. 14'-5" FOF
3 6" 600# RF AMINE PLANT BYPASS EL. 12'-0" BOP PROJ. 7 1/2"	11 6" 150# RF RICH AMINE FROM C-301 EL. 6'-9 3/8" ± PROJ. 6"	19 2" 150# RF FUEL GAS FROM HEADER EL. 8'-0" ± PROJ. 8"	24 6" 150# RF FLARE FROM PSV-80005 EL. 11'-0 1/2" ± PROJ. 8 1/2"	31 1" 3000# NPT FROM WATER TANK EL. 2'-11 1/2" ± PROJ. 8 5/8"	34 2" 150# RF FROM TRUCK IN EL. 14'-5" FOF
4 6" 600# RF GAS FROM E-404 EL. 8'-3" ± PROJ. 6 3/4"	12 6" 150# RF VAPOR TO C-301 EL. 15'-3 1/2" ± PROJ. 6"	20A HC DRAIN HEADER EL. 0'-5 1/2" ± PROJ. 8 5/8"	25 2" 150# RF INSTRUMENT AIR HEADER EL. 12'-0" BOP PROJ. 8 3/8"		
5 6" 600# RF SWEET GAS OUTLET EL. 12'-0" BOP PROJ. 8 1/2"	13 4" 150# RF VAPOR FROM H-800 EL. 18'-11" ± PROJ. 6"	20B HC DRAIN HEADER EL. 0'-5 1/2" ± PROJ. 8"	26A INSTRUMENT AIR TO H-800 EL. 10'-6" BOP PROJ. 7 3/4"		
6 4" 150# RF LEAN AMINE TO E-403 EL. 6'-9 3/8" FOF	14 4" 150# RF OVERHEAD VAPOR TO E-405 EL. 18'-0" FOF	21A AMINE DRAIN HEADER EL. 0'-5 1/2" ± PROJ. 9 3/8"	26B INSTRUMENT AIR TO H-800 EL. 8'-0" ± PROJ. 9 3/8"		
7 4" 150# RF LEAN AMINE FROM H-800 EL. 5'-7 1/2" ± PROJ. 7"	15 4" 150# RF REFLUX LIQUID TO C-302 EL. 6'-10 1/2" ± PROJ. 6"	21B AMINE DRAIN HEADER EL. 0'-5 1/2" ± PROJ. 7 3/4"	27 INSTRUMENT AIR FROM HEADER EL. 8'-0" ± PROJ. 9 3/8"		
8 3" 150# RF LEAN AMINE TO E-406 EL. 13'-5 1/2" ± PROJ. 7 3/4"	16 4" 150# RF GAS TO INCINERATOR EL. 9'-8 1/2" ± PROJ. 7 5/8"	22A AMINE DRAIN HEADER EL. 0'-6" ± PROJ. 7 1/2"	28 3" 150# RF ACID GAS TO H-800 EL. 10'-6" BOP PROJ. 7 1/2"		

NOTES:

- 1) ALL ELEVATIONS ARE TAKEN FROM TOP OF CHECKER PL REF ELEV 0'-0".
- 2) FOR PIPING SURFACE PREP AND PAINT NOTES SEE INSTRUMENT LIST.
- 3) SHOP SUPPORT ALL PIPING AS REQUIRED
- 4) ALL PIPING UNDER 2" NPS, SHOWN FOR REFERENCE ONLY

CUSTOMER REFERENCE: 54000-7REV.0				CUSTOMER: FORT ENERGY CORPORATION c/o BDR ENGINEERING		JOB NO. B7227-06	
PROJECT: SANDHILLS GAS PLANT LSD 07-25-62-06 W5M				TITLE: AMINE SWEETENING FACILITY SECTION C-C			
				DRAWN: CM CHECKED: [Signature] APPROVED: [Signature] SCALE: 3/8" = 1'-0" DATE: 05/09/29 DRAWING NUMBER: B7227-360 SHT. 5 OF 5			
NO.	REVISION	BY	CHKD.	DATE			
1	AS BUILT	KMS	[Signature]	05/12/20			
0	ISSUED FOR CONSTRUCTION	CM		05/09/29			