

UH-163/UH-164

UNIT HEATERS
RUFFNECK MODEL HP5-24
825,000 BTU/HR

V-161

INLET SEPARATOR
1219 O.D. x 3048 S/S
9653 kPa @ 38°C
(A) 2630166
CRN: H9909.2

V-162

SUCTION SCRUBBER
4516 kPa @ 149°C
(A) 2631071
CRN: H9947.2

V-163

INTERSTAGE SCRUBBER
4516 kPa @ 149°C
(A) 2631088
CRN: H9948.2

C-161

GAS COMPRESSOR
ARIEL JGE/2
C/W WAUKESHA F3521G DRIVER

UH-161/UH-162

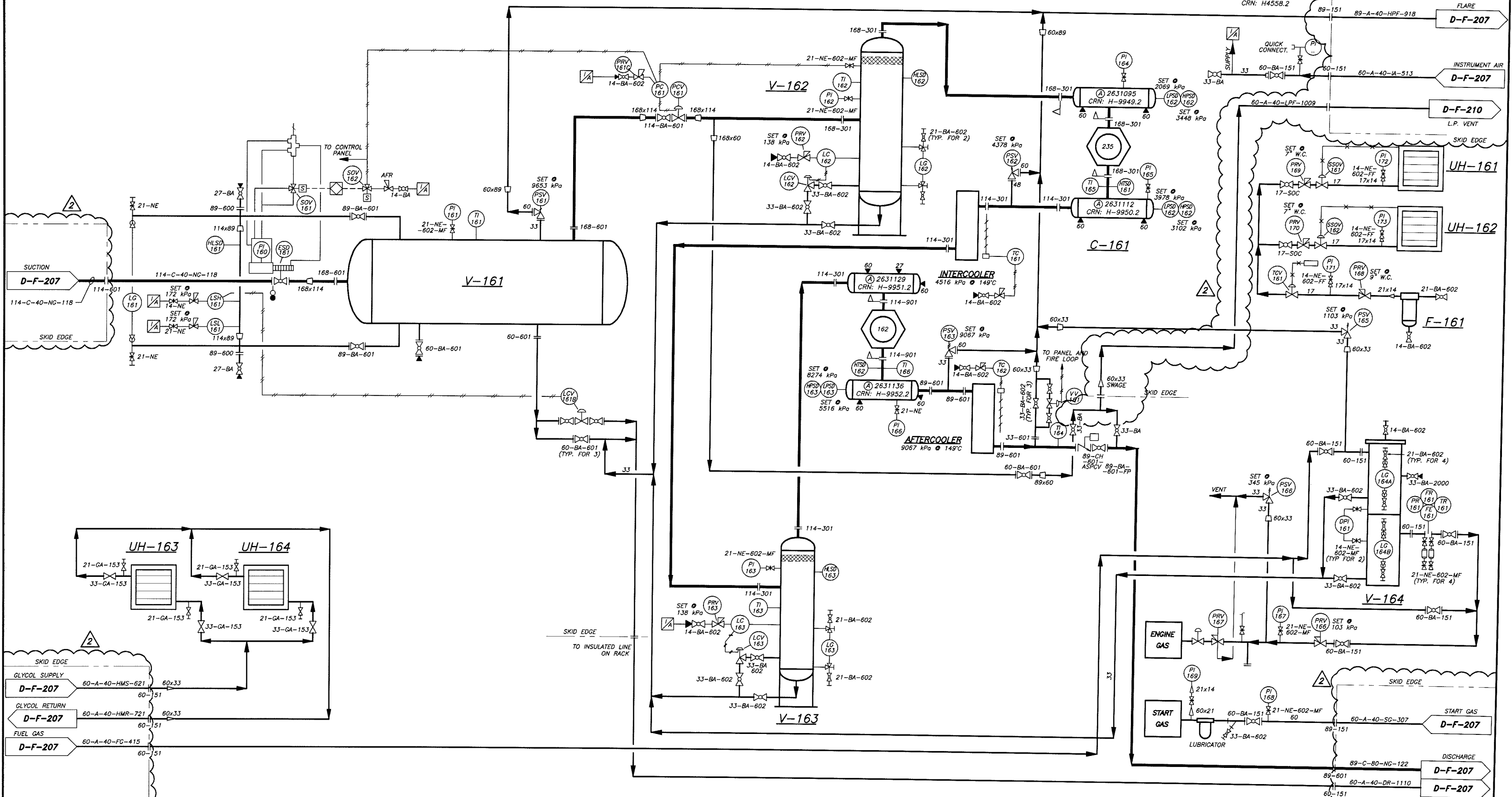
UNIT HEATERS
CATA-DYNE MODEL BX-24x24
6.6 KW (22500 BTU) XP

F-161

HEATER GAS FILTER
PALL WELL MODEL 4463GB0
1034 kPa @ 38°C

V-164

FUEL GAS SCRUBBER
PECO MODEL 85-I-FG36
168 O.D. x 2000 S/S
1896 kPa @ 38°C
CRN: H4558.2



DWG. NO.	REFERENCE DRAWING	REV.	BY	DESCRIPTION	DATE	APP'D
2		K.N.	AS-BUILT (ABS REGISTRATION 2001)		06/29/01	D.W.
1		K.N.	ADDED WAUKESHA F3521GU COMPRESSOR		JULY/1998	D.W.

PROFESSIONAL ENGINEER
ALBERTA
DATE: JUNE 29 - 2001
SIGNATURE:

THE ASSOCIATION OF PROFESSIONAL ENGINEERS, GEOLOGISTS and GEOPHYSICISTS OF ALBERTA
PERMIT NUMBER P 5064
SIGMA 3 Engineering Limited.
DATE: JUNE 29 - 2001
SIGNATURE:

PROJECT: **SIGNALTA RESOURCES LIMITED FORESBURG GAS PLANT**

CUSTOMER: **SIGNALTA RESOURCES LIMITED**

DRAWN: K.N. DATE: DECEMBER-1994
CHECKED: M.V. DATE: DECEMBER-1994
APPROVED: D.W. DATE: DECEMBER-1994

SCALE: **164/290/867**
PROJECT NO.

TITLE: **MECHANICAL FLOWSHEET C-161(F3521G) COMPRESSOR AREA**

DRAWING NO. **D-F-212**

SHEET 12 of 12