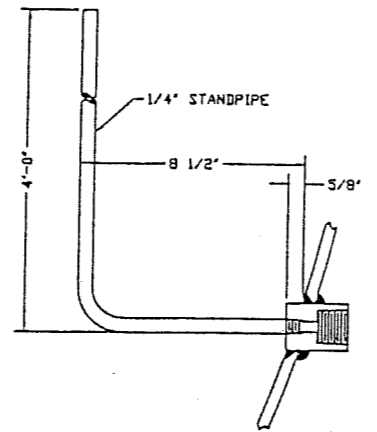
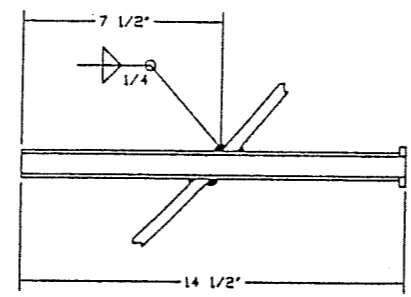


TYP. HALF CPLG DETAIL
(WELD DETAIL IS ASSUMED)



PRESS. TUBE DETAIL
(WELD DETAIL IS ASSUMED)



THERMOWELL DETAIL
(WELD DETAIL IS ASSUMED)

A25066

NATIONAL BOARD SERIAL # : 42667
MANF. NAME: RILEY-BEAIRD INC.
M.A. W.P. : 250 PSIG @ 100°F
MANF. SERIAL# : 133714-01-1
BUILT : 8-1976
AG ANHYDROUS AMMONIA STR. TANK
SHELL : .78" SA-515-70
HEAD : .439" SA-455
O.D. : 109.56"
D.R. : 54.4565"
O.A.L. : 57' 7 1/8"
VOLUME : 25,949 GAL
WEIGHT : 49,700 lbs
SURFACE : 1,652 sq.ft
CRN-A2087.4

SCHEDULE OF OPENINGS

MK	SIZE	RATING	TYPE	MAT'L	SERVICE
1	16"	150#	PAD TYPE	SA-105	MANWAY
2	2"	3000#	HALF CPLG	SA-105	
3	2"	3000#	HALF CPLG	SA-105	PRESS. RELIEF
4	2"	3000#	HALF CPLG	SA-105	PRESS. RELIEF
5	2"	3000#	HALF CPLG	SA-105	PRESS. RELIEF
6	2"	3000#	HALF CPLG	SA-105	
7	3"	6000#	PAD TYPE CPLG	SA516-70	
8	3"	6000#	PAD TYPE CPLG	SA516-70	
9	2 1/2"	3000#	HALF CPLG	SA-105	VOLUME GAUGE
10	1 x 1/4"	3000#	REDUCING CPLG	SA-105	FIX TUBE PRESS.
11	3/4"	SCH 80	SMLS PIPE	SA-106-B	THERMOWELL

CERTIFIED AS-BUILT DRAWING
Maple Leaf Consulting Inc.
Permit #P7117
(403)348-3458
Everett M. Gusek, P.Eng.

TOLERANCES UNLESS OTHERWISE SPECIFIED
.X ± 0.030
.XX ± 0.010
.XXX ± 0.005
FRACTIONS ± 1/16
ANGLES ± 1°
(ALL DIMENSIONS IN INCHES)

PRESSURE VESSEL SERVICES

A Division of 771603 Alta Ltd.

25,949 US GAL ANHYDROUS AMMONIA VESSEL
DETAIL VIEW OF OUTLETS

REVISED BY:
MAPLE LEAF CONS.
EMG

DRAWN BY:
PVS ENGINEERING
DEPARTMENT JL & DW

DATE: 2005-06-10
REV: 2005-06-11
SCALE: N.T.S.

DRAWING NUMBER:
PVS-AAV-2
SHEET: 1 OF 1

REV. 1