



LG Series

Gas Compressors:

Digester Gas Mixing
Gas Engine
Vapour Recovery
Burners

Rotary Gas Compressors for Gas Boosting & Vapour Recovery

The LG series of aircooled gas compressors has been designed to work continuously at pressures upto 25 psig or 75 psig as the second stage in a two-stage compressor system. Rugged construction coupled with many years of development ensures long life and high efficiency for these compressors that are available as bareshaft or complete packaged units. The simple design of the rotary vane compressor with few moving parts ensures operational reliability, low noise levels and minimal maintenance. A mechanical lubricator at the rear end provides lubrication for the cylinder and bearings.

Special tools are not required to replace or inspect the vanes for wear and all the Cylinders, coverplates and rotors are manufactured in Ductile Iron.

Compliant to : IGE / UP / 2

ATEX DIRECTIVE

MACHINERY DIRECTIVE

- The shaft is mounted on roller bearings at both ends and the rotor is axially located at the drive end by a ball bearing
- Deep fins are cast into the cylinder to assist cool running and the cylinder is bored to a fine finish to ensure long vane life, and low noise levels
- The sliding vanes are manufactured from a Kevlar based material having excellent wearing properties



Dimensions & Performances

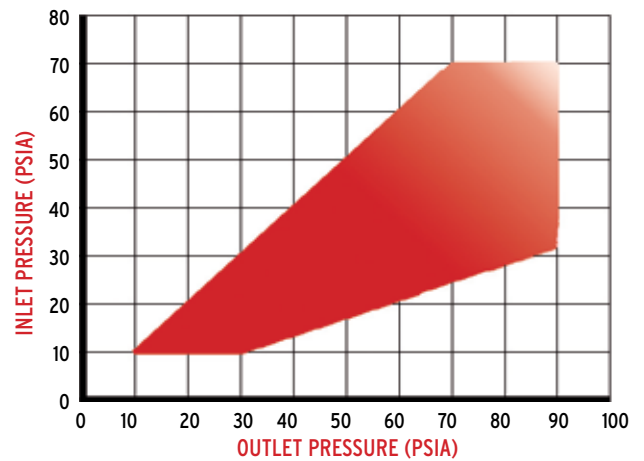
MODEL		LGA 12				LGA 18				LGB 32			
PSIG	RPM	1000	1400	1800	2200	1000	1400	1800	2200	1000	1400	1800	2200
5	MSCF/D	9.5	13.1	16.8	20.6	13.8	19.6	25.2	30.8	24.6	35.4	46.8	57.6
	CFM	6.6	9.1	11.7	14.3	9.6	13.6	17.5	21.4	17.1	24.6	32.5	40.0
	BHP	0.5	0.7	0.9	1.1	0.8	1.1	1.4	1.8	1.2	1.6	2.0	2.4
10	MSCF/D	8.8	12.2	15.8	19.4	13.1	18.6	23.9	29.1	23.7	33.8	43.3	53.4
	CFM	6.1	8.5	11.0	13.5	9.1	12.9	16.6	20.2	16.5	23.5	30.1	37.1
	BHP	0.8	1.0	1.2	1.4	1.0	1.4	1.8	2.2	1.6	2.2	3.0	3.7
15	MSCF/D	8.2	11.5	14.7	17.8	12.5	17.6	22.5	27.4	22.7	32.0	41.0	50.1
	CFM	5.7	8.0	10.2	12.4	8.7	12.2	15.6	19.0	15.8	22.2	28.5	34.8
	BHP	0.9	1.2	1.5	1.8	1.3	1.8	2.4	2.9	2.1	3.0	3.8	4.6
20	MSCF/D	7.6	10.7	13.7	16.7	11.8	16.4	21.0	25.5	21.7	30.4	38.9	47.4
	CFM	5.3	7.4	9.5	11.6	8.2	11.4	14.6	17.7	15.1	21.1	27.0	32.9
	BHP	1.0	1.4	1.8	2.2	1.6	2.2	2.8	3.4	2.6	3.6	4.6	5.6
25	MSCF/D	7.0	9.9	12.7	15.5	10.9	15.3	19.7	24.0	20.3	28.5	36.7	44.9
	CFM	4.9	6.9	8.8	10.8	7.6	10.6	13.7	16.7	14.1	19.8	25.5	31.2
	BHP	1.3	1.7	2.1	2.5	1.8	2.5	3.3	4.0	3.1	4.3	5.5	6.7

Note: All units are factory tested. Volumes listed are based on standard conditions measured on AIR at sea level, 14.7 psia (1 bara) and 60°F (16°C). Actual volumes will vary with changes in elevation, inlet pressure and ambient temperature.

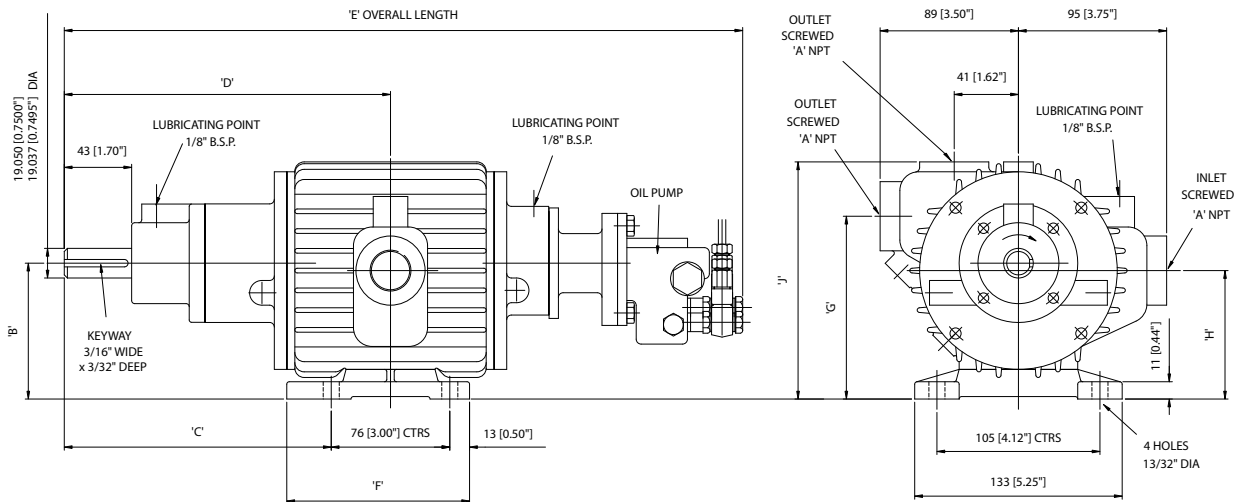
Accessories

We also manufacture and supply a wide range of equipment to complement these compressors.

Please Contact us for further information on Relief valves, bypass heat exchangers, check valves, filters, oil and moisture separators, aftercoolers and all your other requirements.



Dimensions



MODEL	A	B	C	D	E	F	G	H	J	Kgs (lbs)
LGA 12	1/2" - 14	87 [3.44"]	149 [5.87"]	187 [7.38"]	386 [15.18"]	117 [4.63"]	117 [4.63"]	83 [3.25"]	152 [6.00"]	13 [29]
LGA 18	3/4" - 14		171 [6.75"]	210 [8.25"]	430 [16.94"]					16 [35]
LGB 32	1" - 11 1/2	95 [3.75"]	194 [7.63"]	240 [9.13"]	475 [18.68"]	102 [4.00"]	124 [4.88"]	89 [3.50"]	165 [6.50"]	19 [42]

All dimensions in millimetres with inches in brackets. Inlet and outlet screwed sizes in inches NPT.

Whilst the details contained in this leaflet are representative of the machines, the actual products may differ from the illustrations due to improvements in design. Certified copies and performance curves will be supplied on request.

The Utile Engineering Co. Ltd. Irthlingborough, Northamptonshire. NN9 5UG. England
Tel: +44 (0)1933 650216 Fax: +44 (0)1933 652738 E-mail: sales@utileengineering.com

www.utileengineering.com