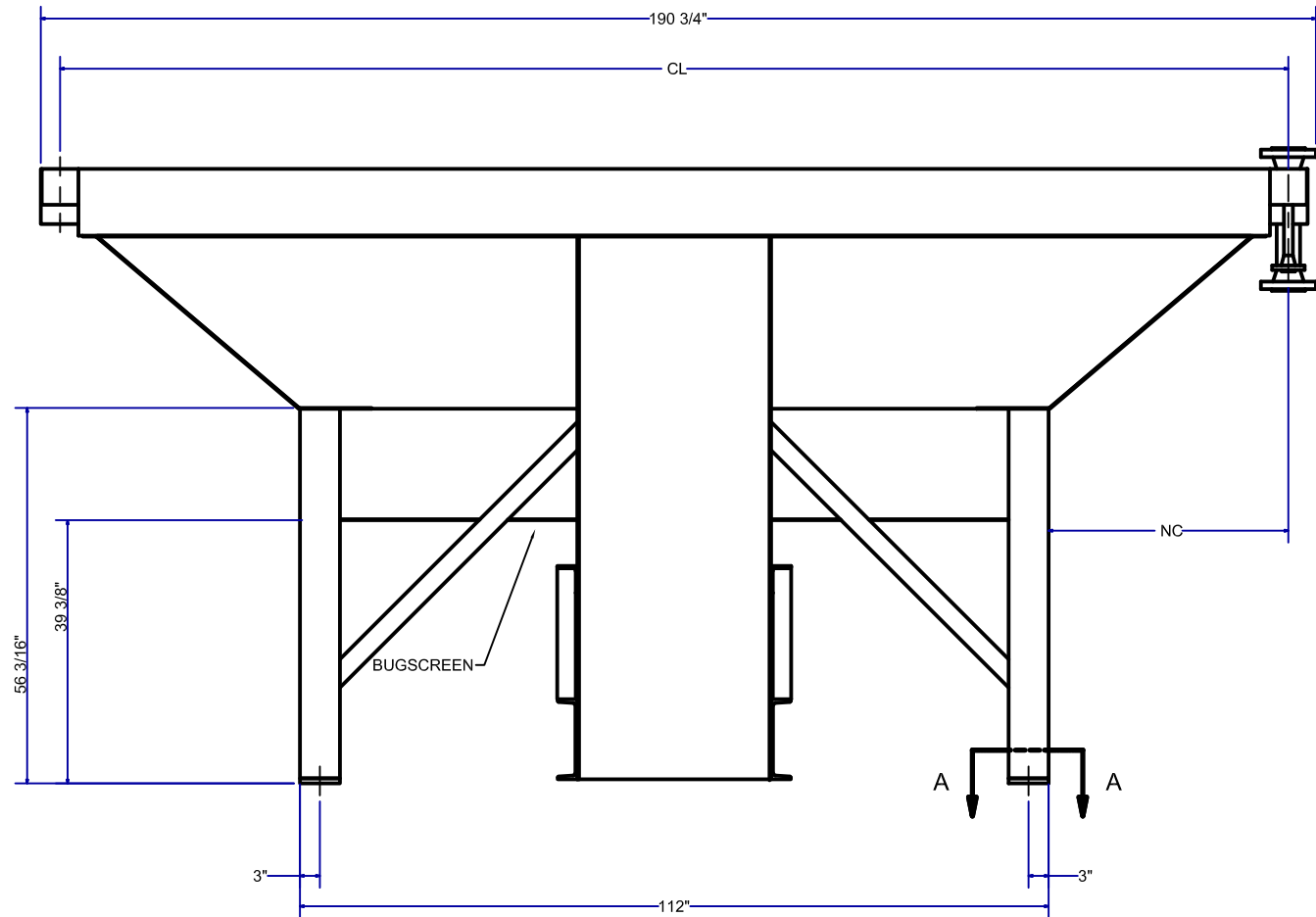
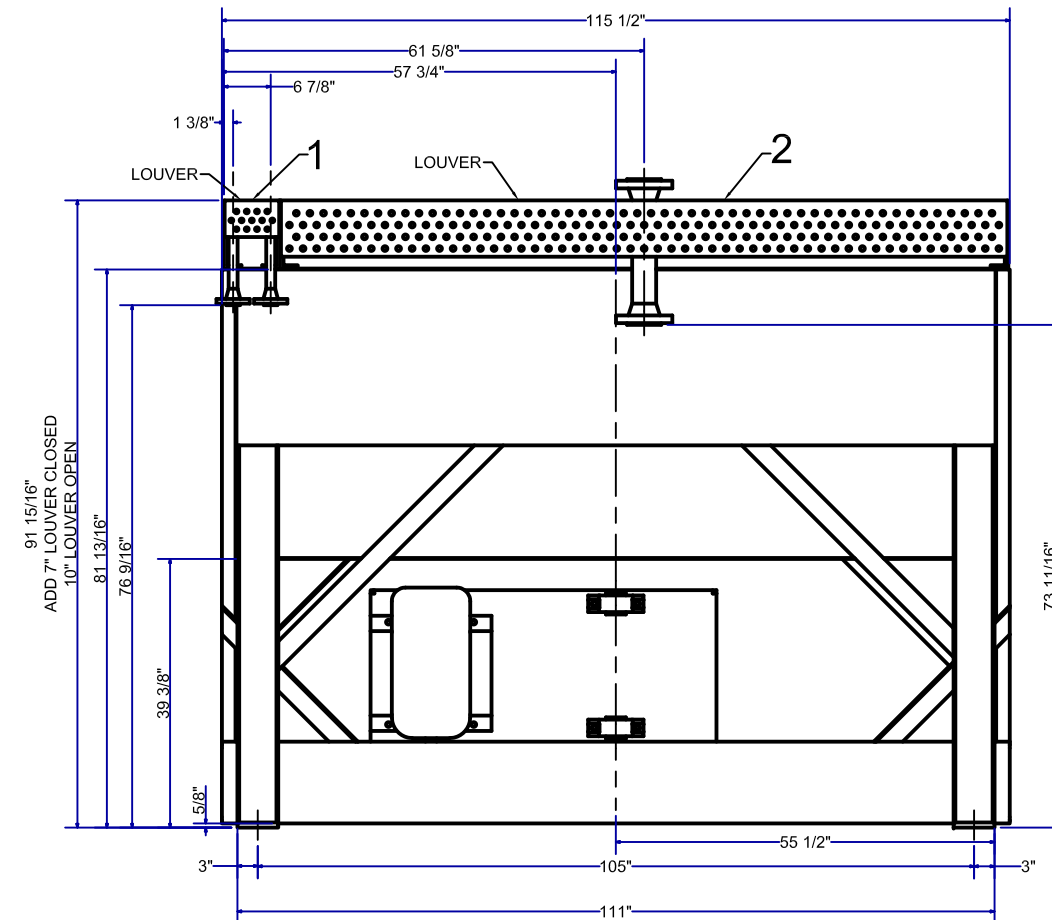


SECTION A-A

(4 PLACES)



SIDE ELEVATION



END ELEVATION

RPM= 389
 HP= 17
 BLADE ANGLE= 17

UNIT: 0532201-02
 TAG: 11957-11958
 JOB: 05322

NOTES

1. WEIGHT: 10412 POUNDS
2. FINISH: PRECOAT AND FINISH COAT OF TOROMONT GRAY SLX-1260-01
3. ASME CODE ON AC-100,AC-102, WITH CRN'S FOR ALBERTA
4. HAILGUARD,BUGSCREEN

FLAG	SERVICE	CL	LOUVERS	DESIGN PRESSURE	DESIGN TEMPERATURE	NOZZLES IN	NOZZLES OUT	OTHER NOZZLE	NC
1	AC-102	183.75	MANUAL	400 PSI	400 Deg F/-20 Deg F	(1)1-300RF	(1)1-300RF	N/A	35.875
2	AC-100	183.75	MANUAL	300 PSI	300 Deg F/-20 Deg F	(1)3-300RF	(1)3-300RF	N/A	35.875

AIR COOLED EXCHANGERS, INC.									
SCALE: 1:1 (FIT TO PLOT)				ACE MODEL E108-115-15			DRAWN BY: AID / DB		
DATE: 8/30/2005							CHECKED BY: KWL		
CUSTOMER: TOROMONT									
P.O: PON188349									
	BY	DATE	DESCRIPTION	CK'D	DRAWING NUMBER	REV			
					05322	-C	0		