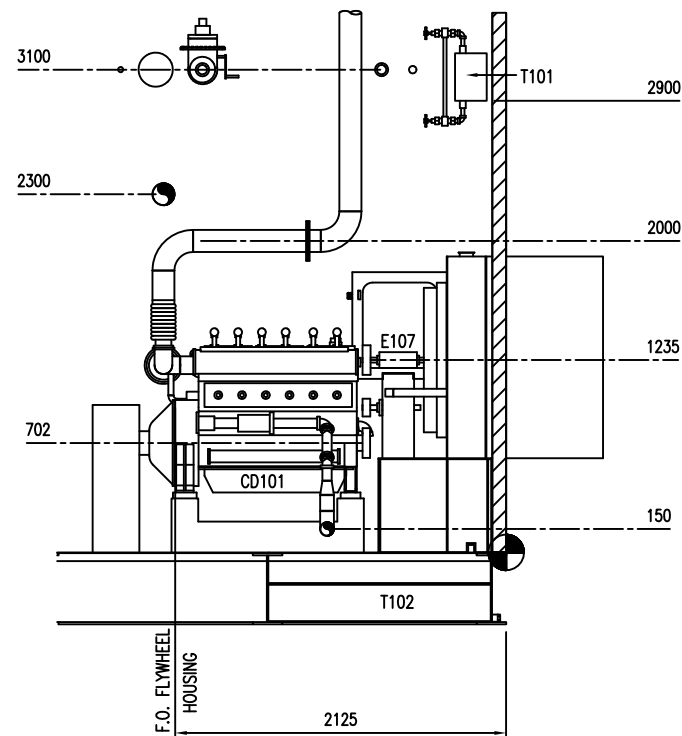


SECTION 'B-B'



SECTION 'C-C'

REV.	DESCRIPTION	DATE	BY	APPR.
2	REVISION AS PER CUSTOMER REQUEST	OCT 11/05	GS	
1	ISSUED FOR CONSTRUCTION	SEP 28/05	GS	BM
A	ISSUED FOR INFORMATION	SEP 19/05	GS	BM

PERMIT TO PRACTICE STAMP

ENGINEER STAMP

TOROMONT TOROMONT PROCESS SYSTEMS	
DRAWN BY: G. STANGNESS	DATE: AUG 16, 2005
CHKD. BY: B. MILLARD	SCALE: 1 : 25
APPR. BY: B. MILLARD	W.O. No: 11957201
CUST. PO No:	

TITLE: VIEW 'B-B'
FOR: ALTAGAS 12 TO 15 MMSCFD GAS PLANT
DWG. No: 11957-201
SHEET No: 3
REV: 2