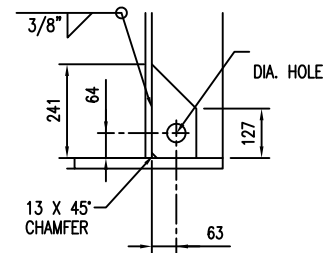
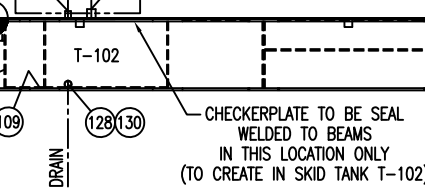


BILL OF MATERIAL				
ITEM	QTY	DESCRIPTION	LENGTH	MATERIAL
101	1	FLAT BAR: 3x3/8	409	G40.2144W
102	2	FLAT BAR: 3x3/8	430	G40.2144W
103	1	FLAT BAR: 3x3/8	473	G40.2144W
104	1	FLAT BAR: 3x3/8	570	G40.2144W
105	6	FLAT BAR: 3x3/8	1246	G40.2144W
106	1	H.S.S.: 2X2X1/4	997	G40.21350W
107	25	H.S.S.: 2X2X1/4	1428	G40.21350W
108	4	PLATE: 1 1/2 X 114	241	G40.2144W
109	1	SEAL PAN: 1/4 X 1035	1428	G40.2144W
110	4	PLATE: 3/4 X 125	177	G40.2144W
111	1	W12X26	1428	G40.2150W
112	3	W18X50	330	G40.2150W
113	2	W18X50	451	G40.2150W
114	1	W18X50	477	G40.2150W
115	2	W18X50	612	G40.2150W
116	1	W18X50	1035	G40.2150W
117	34	W18X50	1428	G40.2150W
118	2	W18X50	4301	G40.2150W
119	2	W18X50	13301	G40.2150W
120	2	W18X50	13500	G40.2150W
121	3	W6X15	402	G40.2150W
122	2	WBX31	723	G40.2150W
123	1	WBX31	360	G40.2150W
124	1	WBX31	1011	G40.2150W
125	1	WBX31	1113	G40.2150W
126	1	CONCRETE PAN: 1/4	AS REQ'D	CARBON STEEL
127	1	COUPLING: 1"-3000# NPT	-	SA-105
128	1	COUPLING: 3/4"-3000# NPT	-	SA-105
129	1	COUPLING: 1/2"-3000# NPT	-	SA-105
130	1	PLUG: 3/4" HEX HEAD NPT	-	SA-105
131	2	WBX31	1428	G40.2150W
132	2	WBX31	264	G40.2150W
133	4	PLATE: 2 X 175	465	G40.2144W

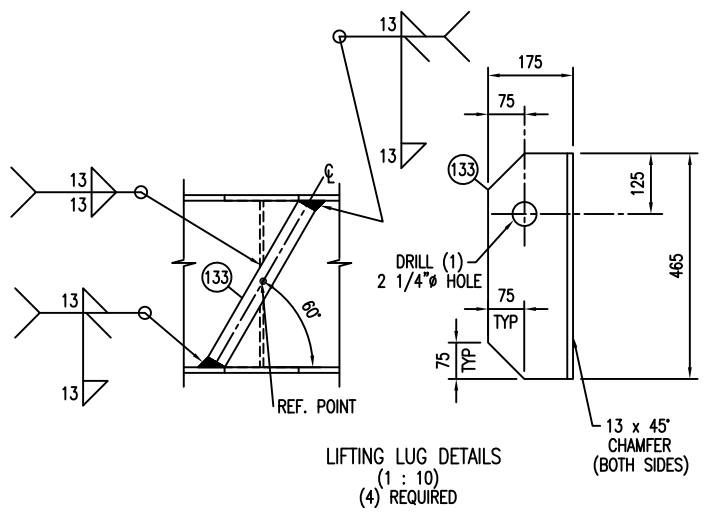


JACKING LUG DETAIL  
(1 : 10)  
(4) REQUIRED

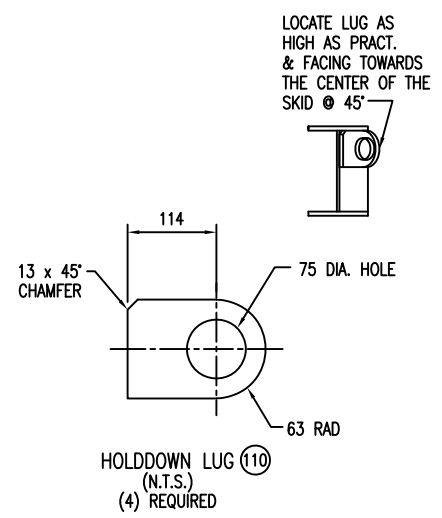


FABRICATION NOTE:  
ALL SKID MEMBERS ARE CONSIDERED TO BE FLUSH WITH TOP OF STEEL, UNLESS OTHERWISE NOTED.

ISSUED TO  
ACROPOLIS STEEL



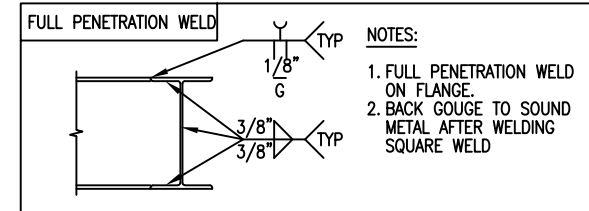
LIFTING LUG DETAILS  
(1 : 10)  
(4) REQUIRED



HOLDDOWN LUG (110)  
(N.T.S.)  
(4) REQUIRED

GENERAL NOTES:

- ALL TAIL DIMENSIONS FROM REFERENCE POINT.
- WEIGHT OF SKID STEEL BASE: 10200 KGS  
WEIGHT OF CHECKER PLATE: 2575 KGS  
WEIGHT OF CONCRETE: 1800 KGS  
WEIGHT OF PIPE SUPPORTS: 1620 KGS  
WEIGHT OF ENGINE BASE: 230 KGS  
TOTAL WEIGHT: 16425 KGS  
NOTE: MILL TOLERANCE AND SAFETY FACTORS NOT APPLIED
- COPE FLANGES WHERE REQUIRED.
- ALL WELDS TO BE 1/4" FILLETS ALL AROUND, U.N.O.
- ALL CUT LENGTHS ARE EXACT TOL +0.0"/-0.125" (+0 MM/-3 MM)
- SURFACE PREP: SANDBLAST TO SSPC-SP6.  
PRIMER: ONE COAT OF RUSTEX 71029  
PAINT: ONE COAT OF INDUSTRIAL ENAMEL 74 (TPS GRAY)
- FULL PENETRATION STRENGTH WELD IS REQ'D AT THESE LOCATIONS.
- PERIMETER AND ALL PANEL JOINTS OF CHECKER PLATE ARE TO BE SEAL WELDED. SKID MEMBERS TO UNDERSIDE OF CHECKER PLATE TO BE STITCH WELDED AT 2"(50 MM) OF FILLET ON 16"(406 MM) CENTERS EXCEPT WHERE NOTED.



- NOTES:
- FULL PENETRATION WELD ON FLANGE.
  - BACK GOUGE TO SOUND METAL AFTER WELDING SQUARE WELD

REV.	DESCRIPTION	DATE	BY	APPR.
1	ISSUED FOR CONSTRUCTION	SEP 15/05	GS	

PERMIT TO PRACTICE STAMP

ENGINEER STAMP



TITLE: STRUCTURAL STEEL	FOR: ALTAGAS 12 TO 15 MMSCFD GAS PLANT
DWG. No.: 11957-301	SHEET No.: 1

DRAWN BY: G. STANGNESS	DATE: SEPT 14, 2005
CHKD. BY: B. MILLARD	SCALE: 1 : 25
APPR. BY: B. MILLARD	W.O. No.: 11957301

CUST. PO No:

REV: 1