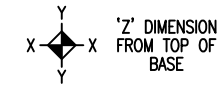
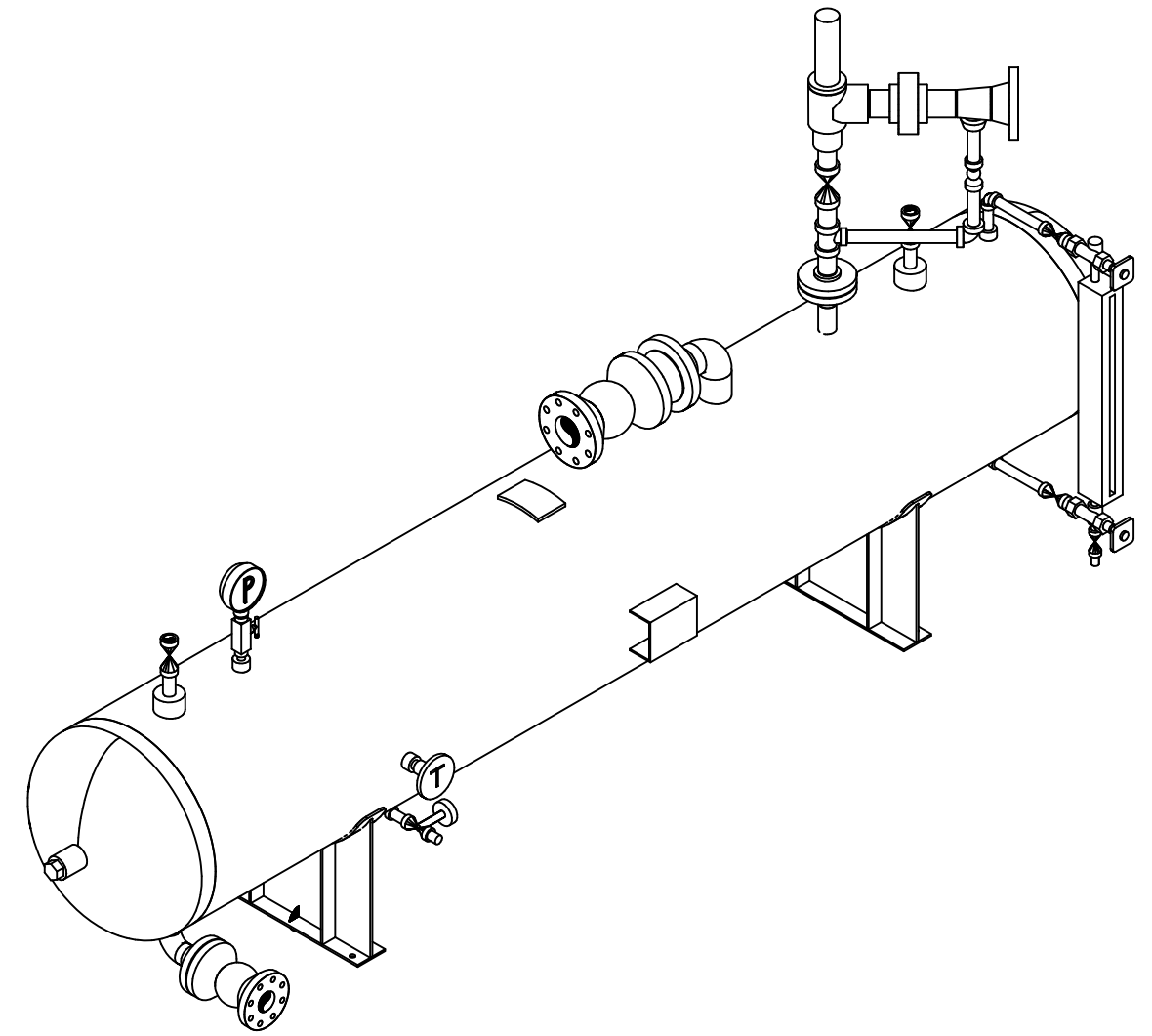
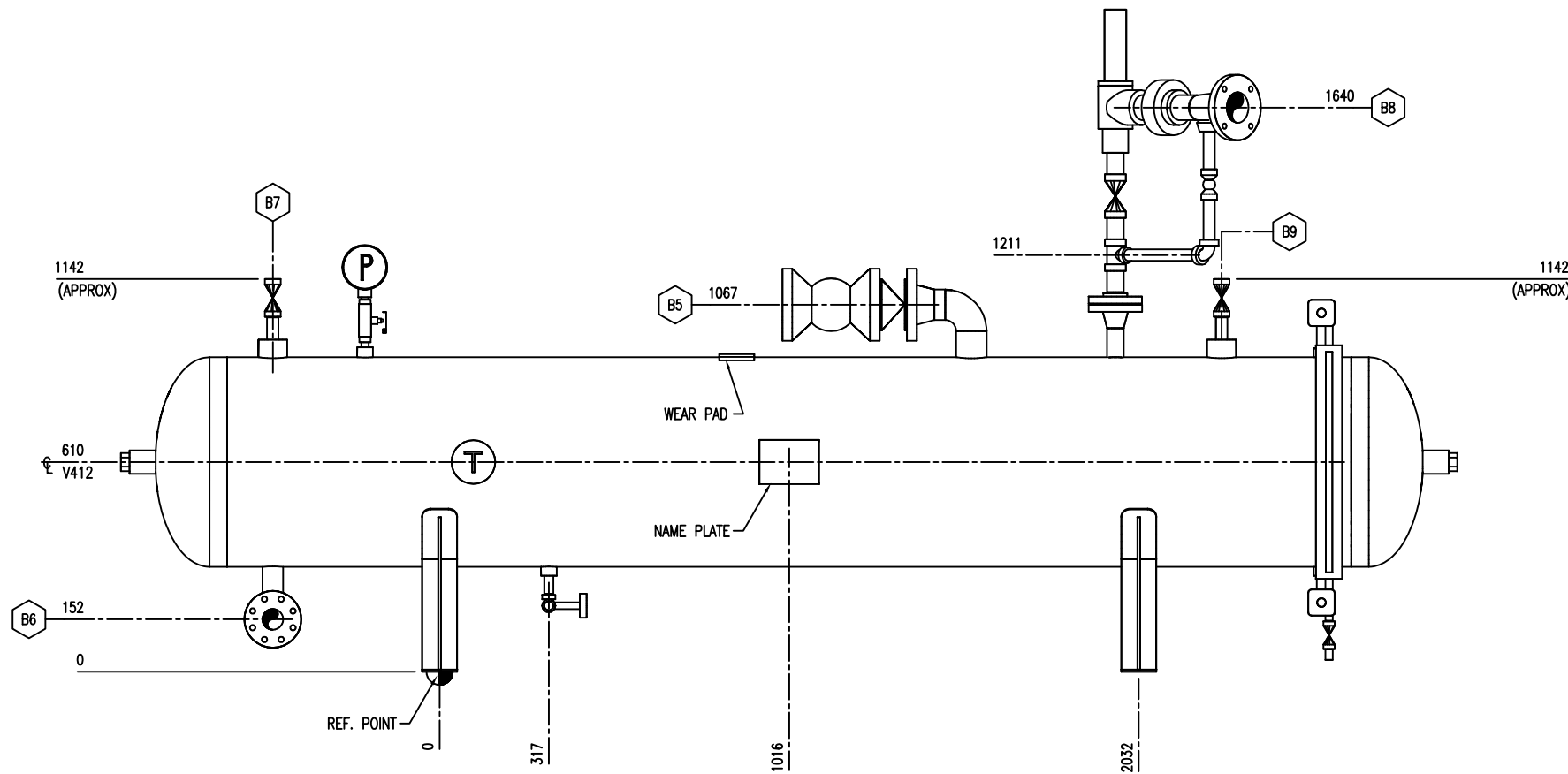


GENERAL NOTES:

- ALL TAIL DIMENSIONS FROM REFERENCE POINT.
- SHIPPING LENGTH: 3800 MM
SHIPPING WIDTH: 900 MM
SHIPPING HEIGHT: 2000 MM
- SHIPPING WEIGHT: 885 KGS
- OPERATING WEIGHT: 1450 KGS
- OVERALL SKID DEPTH: n/a MM
- NOZZLE ELEVATIONS ARE FROM CENTERLINE OF PIPE TO TOP OF BASE (REFERENCE POINT).
- (*) DENOTES ELEVATION FROM FACE OF FLANGE TO TOP OF BASE (REFERENCE POINT).
- CENTER OF GRAVITY (SHIPPING):
 'X' FROM REFERENCE POINT: 1075 MM
 'Y' FROM REFERENCE POINT: 0 MM
 'Z' FROM REFERENCE POINT: 700 MM



NOZZLE SCHEDULE				
MARK	SERVICE	SIZE	RATING	TYPE
B5	REFRIGERANT FROM E411	3"	300#	RFWN
B6	REFRIGERANT TO E406	2"	300#	RFWN
B7	HOT GAS BYPASS FROM V408	1"	3000#	SW
B8	TO FLARE HEADER	3"	150#	RFWN
B9	SUMMER BYPASS	1"	3000#	SW



REV.	DESCRIPTION	DATE	BY	APPR.
2	AS BUILT	MAY 17/06	GS	BM
1	ISSUED FOR CONSTRUCTION	MAR 13/06	BD	BM

PERMIT TO PRACTICE STAMP

ENGINEER STAMP

TOROMONT
TOROMONT PROCESS SYSTEMS

DRAWN BY: G. STANGNESS
CHKD. BY: B. MILLARD
APPR. BY: B. MILLARD

DATE: AUG 16, 2005
SCALE: 1 : 25
W.O. No: 11984202

CUST. PO No:

TITLE: GENERAL ARRANGEMENT (RECEIVER)

FOR: ALTAGAS CLEAR HILLS 12 TO 15 MMSCFD GAS PLANT

DWG. No: 11984-202
SHEET No: 1
REV: 2