

DETAIL NOZZLE 'A'

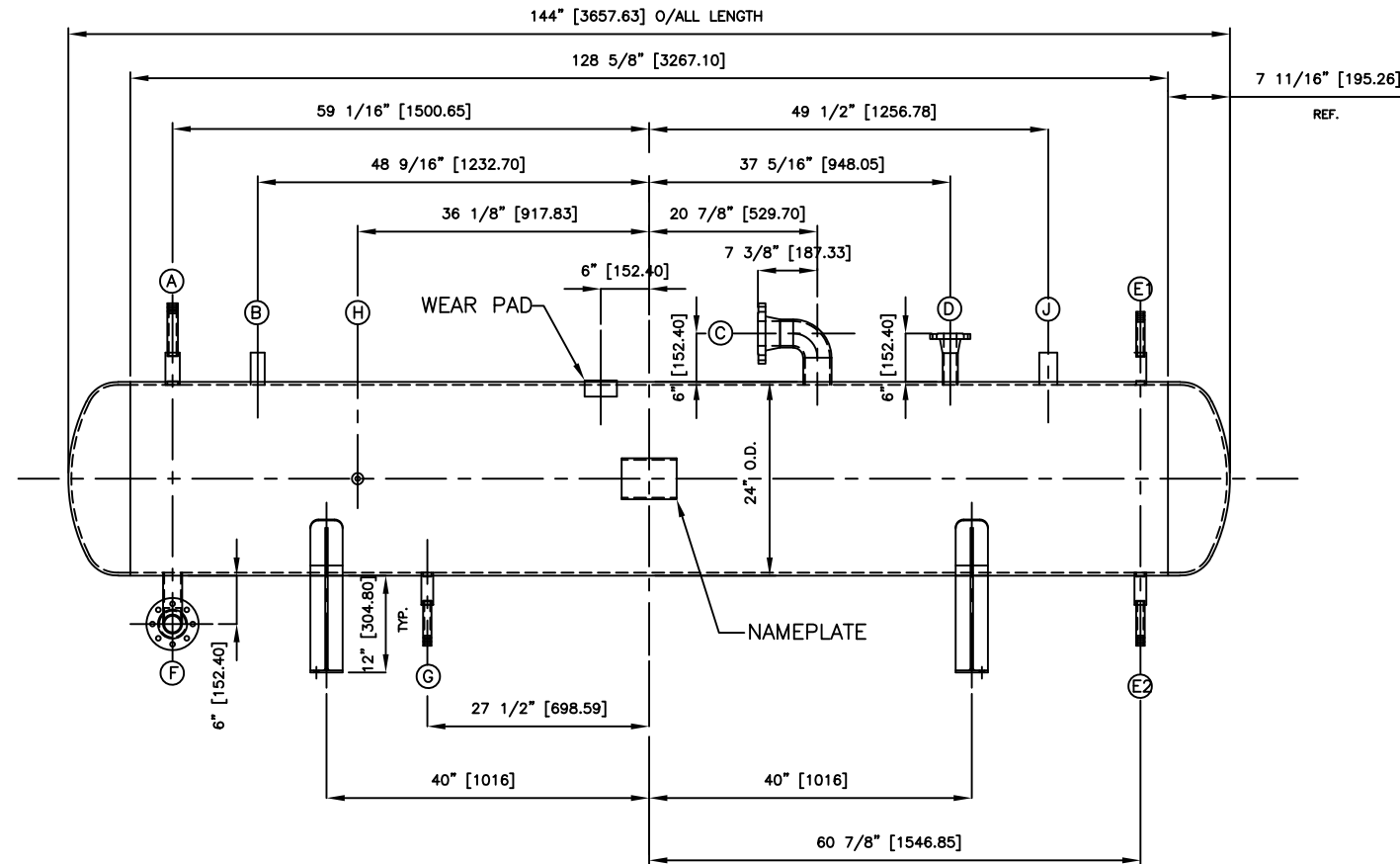
DETAIL NOZZLE 'B'

DETAIL NOZZLE 'C'

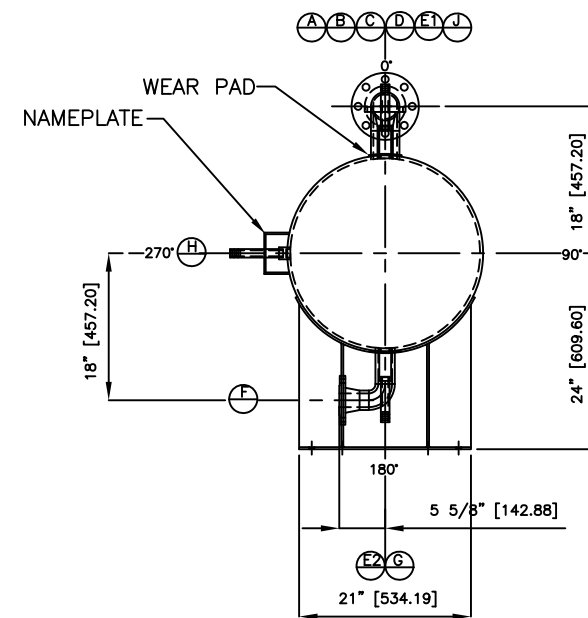
DETAIL NOZZLE 'D'

DETAIL NOZZLE 'E'

DETAIL NOZZLE 'F'



ELEVATION



RIGHT END VIEW

QTY. : [2] TWO

P.O. NO.: 8003068 A,B

DETAIL 1

DETAIL 2

DETAIL 3

DETAIL 4

WELDING PROCEDURES:

CERTIFIED BY	
TOROMONT INDUSTRIES LTD.	
TORONTO, ONTARIO CANADA	
MAX. ALLOWABLE WORKING PRESSURE	MAX. TEMPERATURE
SHELL SIDE 300 PSIG	AT 300 ° F
TUBE SIDE --- PSIG	AT --- ° F
MIN. DESIGN METAL TEMP. -20 ° F	AT 300 PSIG.
SERIAL NO. 8003068 A,B	YEAR BUILT 2005
O.I.M.	
C.R.N.	TBA REM V105

REGISTRATION STAMP

NAMEPLATE STAMPING

SPECIAL NOTES:

GENERAL NOTES:

DESIGN & FABRICATION TO THE PROVINCE OF ALBERTA REGULATIONS & A.S.M.E. U.P.V. CODE 2004. SECT. VIII DIV. 1. PAR. UG-12 (C) AND BOLT HOLES IN FLANGES TO STRADDLE MAJOR CENTRE LINES UNLESS OTHERWISE NOTED. ALL CONNECTIONS TO BE FINISHED FLUSH WITH INSIDE SURFACE UNLESS OTHERWISE NOTED. ALL WELDS TO BE FREE FROM POROSITY AND/OR CAVITY. FLANGED NOZZLES TO BE PROTECTED BY WOODEN BLANKS, COUPLINGS AND NIPPLES TO BE PLUGGED AND CAPPED FOR SHIPMENT. REINFORCING PADS TO HAVE --- HOLE --- PIPE TAP FOR TESTING. TEST PADS WITH --- AIR CLEANING PER UN-32, HAND CLEAN SHIPPING WEIGHT 1552 LBS. FULL OF WATER WEIGHT 3885 LBS. PAINTING SAMBLAST SSPC-SP6 AND ONE COAT OF CIMCO STD. TURQUOISE COLOR. NO. OF UNITS REQ'D: (2) TWO

EXTERNAL HEAT TRANSFER SURFACE OF TUBES: --- S.F.

NOTE: COLD FORMED HEADS ONLY FOR AMMONIA SERVICE MUST BE STRESS RELIEVED.

DESIGN	SHELL		TUBE		TEST FLUID	
	M.A.W.P.	PSIG	PSIG	PSIG	WATER	---
TEMP.	300 ° F	---	---	---	---	---
STRESS RELIEF	---	---	---	---	NONE	---
RADIOGRAPH	---	---	---	---	NONE	---
NO. OF PASSES	---	---	---	---	---	---
SERVICE	---	---	---	---	R-717	---
VOLUME	33.88 CU. FT.	---	---	---	---	---

REMARKS: VESSEL INTENDED FOR NON CORROSIVE SERVICE EXEMPT FROM IMPACT TESTING PER UCS-66(c) AND UG-201(f)

DESIGN SPECIFICATIONS

REV.	DATE	DESCRIPTION	BY	APPR'D

**TOROMONT REFRIGERATION** **CIMCO REFRIGERATION**

St. John's • Dartmouth • Moncton • Quebec City • Montreal  
 Ottawa • Toronto • London • Winnipeg • Regina  
 Saskatoon • Edmonton • Calgary • Vancouver • Victoria

THIS DESIGN DRAWING AND SPECIFICATION IS THE EXCLUSIVE PROPERTY OF CIMCO REFRIGERATION. IT AND/OR THE DESIGN THEREIN ARE NOT TO BE COPIED, SOLD, TRANSFERRED OR REPRODUCED IN ANY MANNER AND IS SUBJECT TO RETURN ON DEMAND. THE ITEMS DESCRIBED MAY NOT BE BUILT OR ASSEMBLED OR ITS DESIGN CRITERIA DISCLOSED TO OTHER PARTIES WITHOUT THE WRITTEN PERMISSION OF CIMCO REFRIGERATION.

FOR	TOROMONT PROCESS SYSTEMS---ALTAGAS	10121 BARLOW TRAIL N.	CALGARY, ALBERTA, T3J 3C6
DATE	AUG.29/05	SCALE	N.T.S.
TITLE	24" O.D. X 144" RECEIVER	JOB NO.	A1410067
		DWG. NO.	8003068
		REV.	0

FILLER PASSES	ROOT PASS	FIT-UP	PROCEDURE	TYPE	a	b	c	MARK	QTY.	SIZE	RATING	TYPE	PIPE SCH.	SERVICE
			W72-1 [1]					J	1	1"	6000LB	F.P.T.	CPLG.	SUMMER BYPASS
								H	1	3/4"	6000LB	S.W.	CPLG.	TEMPERATURE INDICATOR
								G	1	3/4"	6000LB	S.W.	CPLG.	SPARE
								F	1	2"	300LB	RFWN	160	LIQUID OUTLET
								E2	1	3/4"	6000LB	S.W.	CPLG.	LEVEL GAUGE
								E1	1	3/4"	6000LB	S.W.	CPLG.	LEVEL GAUGE
								D	1	1 1/2"	300LB	RFWN	160	PSV
								C	1	3"	300LB	RFWN	80	LIQUID INLET
								B	1	3/4"	6000LB	F.P.T.	CPLG.	PRESSURE INDICATOR
								A	1	1"	6000LB	S.W.	CPLG.	PCV INLET