

THE INFORMATION CONTAINED HEREIN IS THE CONFIDENTIAL PROPERTY OF TOROMONT PROCESS SYSTEMS AND IS NOT FOR PUBLICATION, AND NO PART THEREOF SHALL BE COPIED OR COMMUNICATED TO A THIRD PARTY WITHOUT AUTHORIZATION FROM TOROMONT PROCESS SYSTEMS.

PROJECT DESCRIPTION

New Construction of a
12 to 15 MMSCFD
Gas Plant
LSD: 07-33-90-12 W6M

GENERAL NOTES:

SITE ELEVATION: 3000 M
BAROMETRIC PRESSURE: 101.325 KPAA
OUTDOOR TEMPERATURE: -5 DEGREE C (LOWEST)
+35 DEGREE C (HIGHEST)
ELECTRICAL WIRING CLASS: CLASS I, DIV II GROUP D
ELECTRICAL VOLTAGES: 3 / 60 / 480 VAC
1 / 60 / 115 / 230 VAC
24 VDC

INSTRUMENT AIR: AVAILABLE PRESSURE 552 TO 690 KPAG
DEWPOINT LOWER THAN -50 DEG.C

SYSTEM CHARGES, CONSUMABLES, ETC.

FLUID CHARGES
R-290 PROPANE REFRIGERANT: 480 KGS.
GLYCOL: 3750 LITERS

OIL CHARGES (TOTAL)
REFRIGERANT COMPRESSOR: 45 LITERS OF S1-150
ALL FLUIDS SUPPLIED BY OTHERS

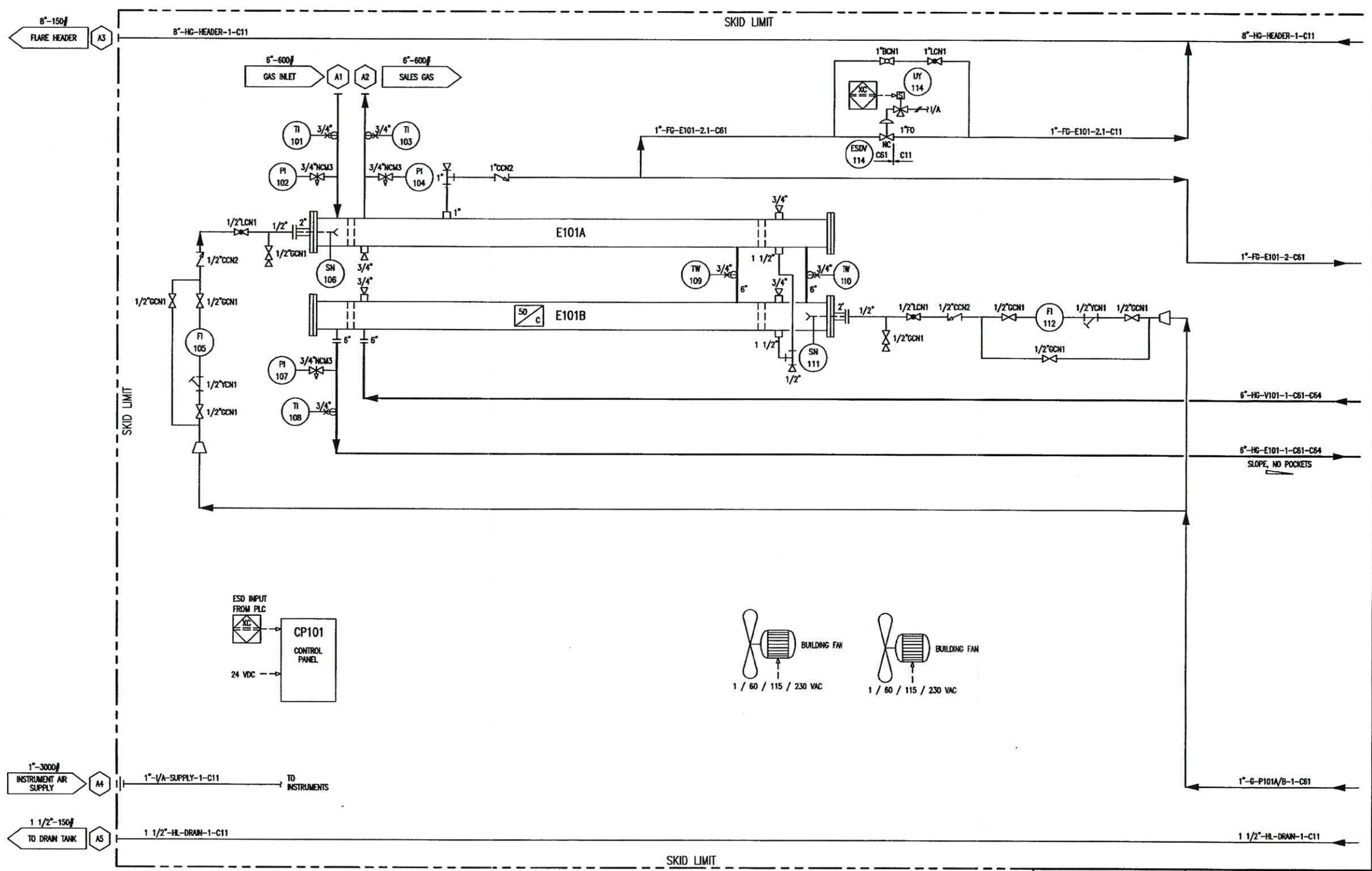
CONSUMABLES NOTE: BASED ON DESIGN PRODUCTION
NORMAL INSTRUMENT AIR CONSUMPTION: 5.3 NM3/HR
MAXIMUM INSTRUMENT AIR CONSUMPTION: 95 NM3/HR

ELECTRICAL POWER REQUIREMENTS

PD101A	GLYCOL INJECTION PUMP MOTOR	3 / 60 / 230/460 VAC	2.2 KW	
PD101B	GLYCOL INJECTION PUMP MOTOR	3 / 60 / 230/460 VAC	2.2 KW	
PD102	GLYCOL PUMP MOTOR	3 / 60 / 460 VAC	1.11 KW	
ED105	FAN MOTOR	3 / 60 / 460 VAC	14.9 KW	
	BUILDING FAN	1 / 60 / 115 / 230 VAC	0.186 KW	
	BUILDING FAN	1 / 60 / 115 / 230 VAC	0.186 KW	
HTR-430	COMPRESSOR OIL HEATER	1 / 60 / 115 VAC	300 WATT	
			OPERATING	STARTING
BH421A	BUILDING HEATER	1 / 60 / 120 VAC	0 KW	1.5 KW
BH421B	BUILDING HEATER	1 / 60 / 120 VAC	0 KW	1.5 KW
BH421C	BUILDING HEATER	1 / 60 / 120 VAC	0 KW	1.5 KW

CP101
CONTROL PANEL
MAKE: ALTRONIC
MODEL: DE-2500
POWER: 24 VDC (BY OTHERS)
CSA APPROVED, CLASS 1, ZONE 2
GROUP BA
TEMP CODE T3

E101A/B
GAS/GAS EXCHANGER
SIZE: 324 MM O.D. X 9144 MM T/L
(2) UNITS IN SERIES
TEMA TYPE: MEN CLASS 'C'
WAMP SHELLSIDE: 9756 KPAG @ 66 DEG.C
WAMP TUBESIDE: -29 DEG.C @ 9756 KPAG
WAMP SHELLSIDE: 9756 KPAG @ 66 DEG.C
WAMP TUBESIDE: -29 DEG.C @ 9756 KPAG
DESIGN DUTY: 553 KW PER UNIT
SURFACE AREA: 289 M2 PER UNIT
WEIGHT: 2804 KGS. PER UNIT



REV.	DESCRIPTION	DATE	BY	APPR.
2	AS BUILT	DEC 28/05	BD	
1	ISSUED FOR CONSTRUCTION	SEP 12/05	GS	BM
A	ISSUED FOR APPROVAL	AUG 26/05	TM	BM

PERMIT TO PRACTICE STAMP	ENGINEER STAMP
--------------------------	----------------

TOROMONT TOROMONT PROCESS SYSTEMS DRAWN BY: THOMAS MAH CHD. BY: B. MILLARD APPR. BY: B. MILLARD CUST. PO No:	DATE: AUG. 26, 2005 SCALE: N/A W.D. No: 11957101	TITLE: P & I FLOW DIAGRAM FOR: ALTAGAS LIMITED PARTNERSHIP 12 TO 15 MMSCFD ALTAGAS CLEAR PRAIRIE GAS PLANT LSD: 07-33-90-12 W6M
--	--	---

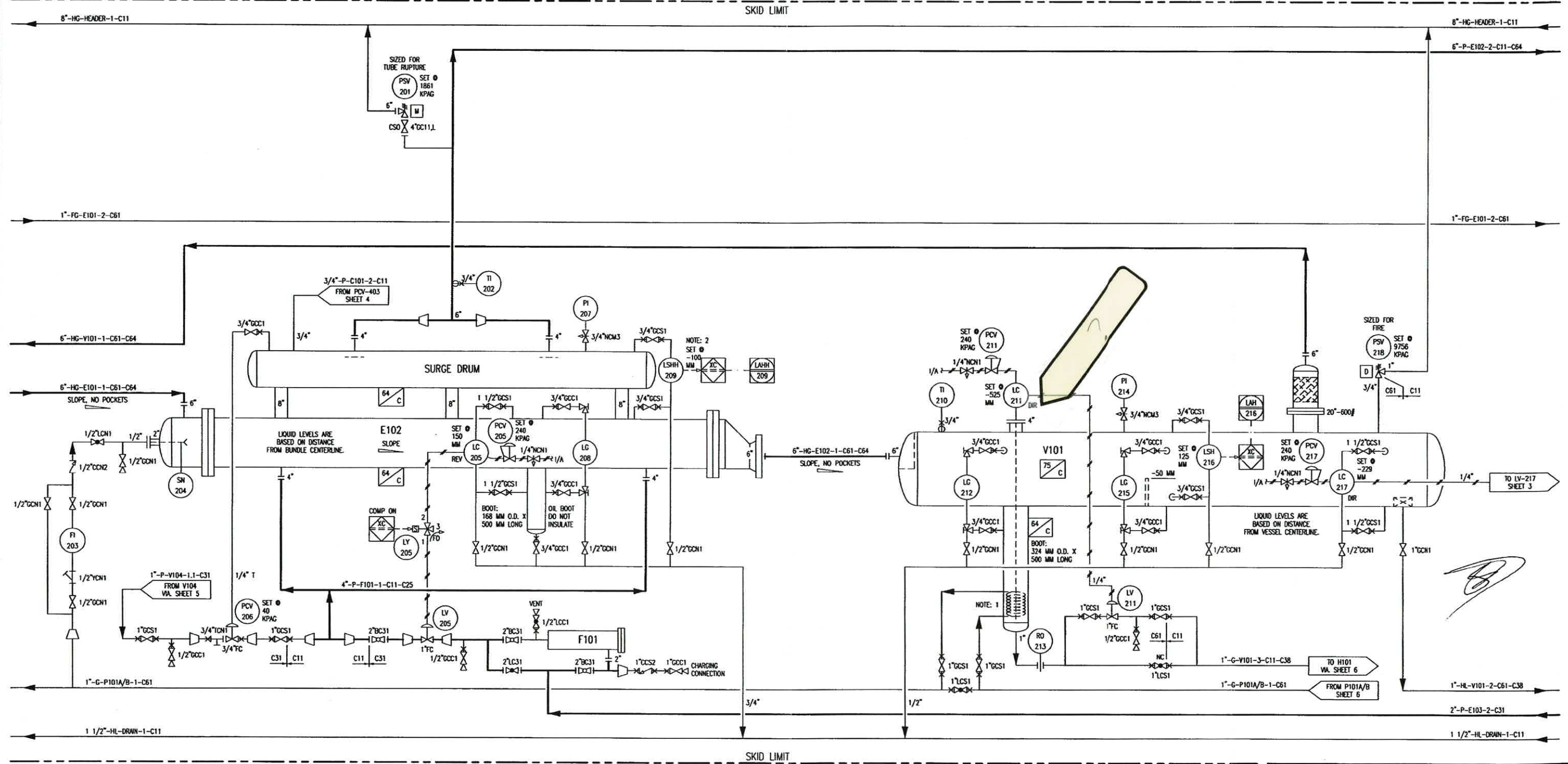
DWG. No: 11957-101	SHEET No: 1	REV: 2
--------------------	-------------	--------

THE INFORMATION CONTAINED HEREIN IS THE CONFIDENTIAL PROPERTY OF TOROMONT PROCESS SYSTEMS AND IS NOT FOR PUBLICATION AND NO PART THEREOF SHALL BE COPIED OR COMMUNICATED TO A THIRD PARTY WITHOUT AUTHORIZATION FROM TOROMONT PROCESS SYSTEMS.

E102
GAS CHILLER
 SIZE: 356 MM O.D. X 6096 MM T/L
 SURGE DRUM: 406 MM O.D. X 4877 MM OAL
 TEMA TYPE: BEM CLASS "C"
 MAWP SHELLSIDE: 1861 KPAG @ 66 DEG.C
 MDMT SHELLSIDE: -29 DEG.C @ 1861 KPAG
 MAWP TUBESIDE: 9756 KPAG @ 66 DEG.C
 MDMT TUBESIDE: -29 DEG.C @ 9756 KPAG
 DESIGN DUTY: 278 KW
 SURFACE AREA: 52.3 M2
 WEIGHT: 1892 KGS.

F101
REFRIGERANT FILTER/DRIER
 MAKE: SPORLAN
 MODEL: C40016-P
 MAWP: 3448 KPAG
 ELEMENTS: (4) RC-10098

V101
LOW TEMPERATURE SEPARATOR
 SIZE: 1067 MM I.D. X 3048 MM S/S
 MAWP: 9756 KPAG @ 66 DEG.C
 MDMT: -29 DEG.C @ 9756 KPAG
 C/A: 1.6 MM
 SHELL MATERIAL: SA-516-70N
 HEAD MATERIAL: SA-516-70N
 WEIGHT: 4600 KGS.



SKID LIMIT

NOTE 1:
 COIL TO BE 3/4" DIA TUBING WRAPPED 6 TIMES.
 NOTE 2:
 LIQUID LEVEL FROM CENTER OF SURGE DRUM.

REV.	DESCRIPTION	DATE	BY	APPR.
2	AS BUILT	DEC 28/05	BD	
1	ISSUED FOR CONSTRUCTION	SEP 12/05	GS	EM
A	ISSUED FOR APPROVAL	AUG 26/05	TM	EM

NEXT AVAILABLE TAG NUMBER: 219

PERMIT TO PRACTICE STAMP
 ENGINEER STAMP

		TITLE: P & I FLOW DIAGRAM	
DRAWN BY: THOMAS MAH	DATE: AUG. 26, 2005	FOR: ALTAGAS LIMITED PARTNERSHIP 12 TO 15 MMSCFD ALTAGAS CLEAR PRAIRIE GAS PLANT LSD: 07-33-90-12 WGM	
CON'D BY: B. MILLARD	SCALE: N/A	DWG. No: 11957-101	
APPR. BY: B. MILLARD	W.O. No: 11957101	SHEET No: 2	REV: 2

THE INFORMATION CONTAINED HEREIN IS THE CONFIDENTIAL PROPERTY OF TOROMONT PROCESS SYSTEMS AND IS NOT FOR PUBLICATION AND NO PART THEREOF SHALL BE COPIED OR COMMUNICATED TO A THIRD PARTY WITHOUT AUTHORIZATION FROM TOROMONT PROCESS SYSTEMS.

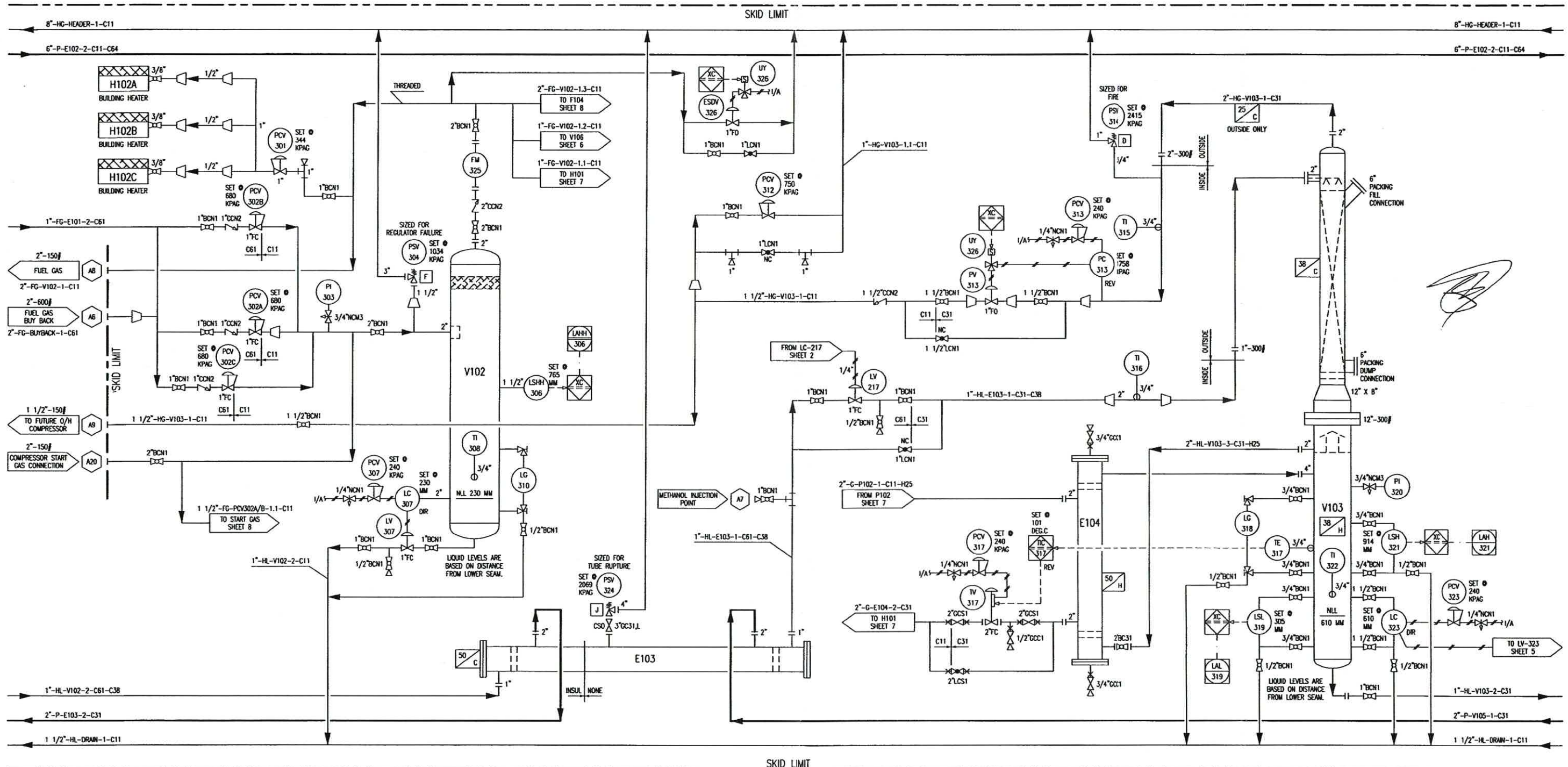
H102A/B/C
BUILDING HEATERS
 MAKE: CATADYNE
 MODEL: W X 24 X 48
 DUTY: 32000 BTU/H
 120 VAC STARTERS

V102
FUEL GAS SCRUBBER
 SIZE: 324 MM O.D. X 1524 MM S/S
 MWMP: 1034 KPAG @ 66 DEGC
 MWMT: -29 DEGC @ 1034 KPAG
 C.A.: 1.6 MM
 SHELL MATERIAL: SA-106B
 HEAD MATERIAL: SA-516-70
 WEIGHT: 156 KGS.

E103
PROPANE SUBCOOLER
 SIZE: 168 MM O.D. X 4267 MM T/L
 TEMA TYPE: NEN CLASS 'C'
 MWMP SHELLSIDE: 2069 KPAG @ 121 DEGC
 MWMT SHELLSIDE: -29 DEGC @ 2069 KPAG
 MWMP TUBESIDE: 9756 KPAG @ 66 DEGC
 MWMT TUBESIDE: -29 DEGC @ 9756 KPAG
 DESIGN DUTY: 15.6 MW
 SURFACE AREA: 6.4 M2
 WEIGHT: 530 KGS.

E104
STABILIZER REBOILER
 SIZE: 219 MM O.D. X 1524 MM T/L
 TEMA TYPE: NEN CLASS 'C'
 MWMP SHELLSIDE: 1862 KPAG @ 148 DEGC
 MWMT SHELLSIDE: -29 DEGC @ 1862 KPAG
 MWMP TUBESIDE: 2415 KPAG @ 250 DEGC
 MWMT TUBESIDE: -29 DEGC @ 2415 KPAG
 DESIGN DUTY: 21.44 MW
 SURFACE AREA: 3.78 M2
 WEIGHT: 355 KGS.

V103
DE-ETHANIZER COLUMN
 SIZE: 219 / 324 MM O.D. X 10973 MM S/S
 MWMP: 2415 KPAG @ 204 DEGC
 MWMT: -29 DEGC @ 2415 KPAG
 C.A.: 1.6 MM
 SHELL MATERIAL: SA-106B
 HEAD MATERIAL: SA-234-WPB
 PACKING TYPE: X
 PACKING VOLUME: X
 WEIGHT: XXX KGS.

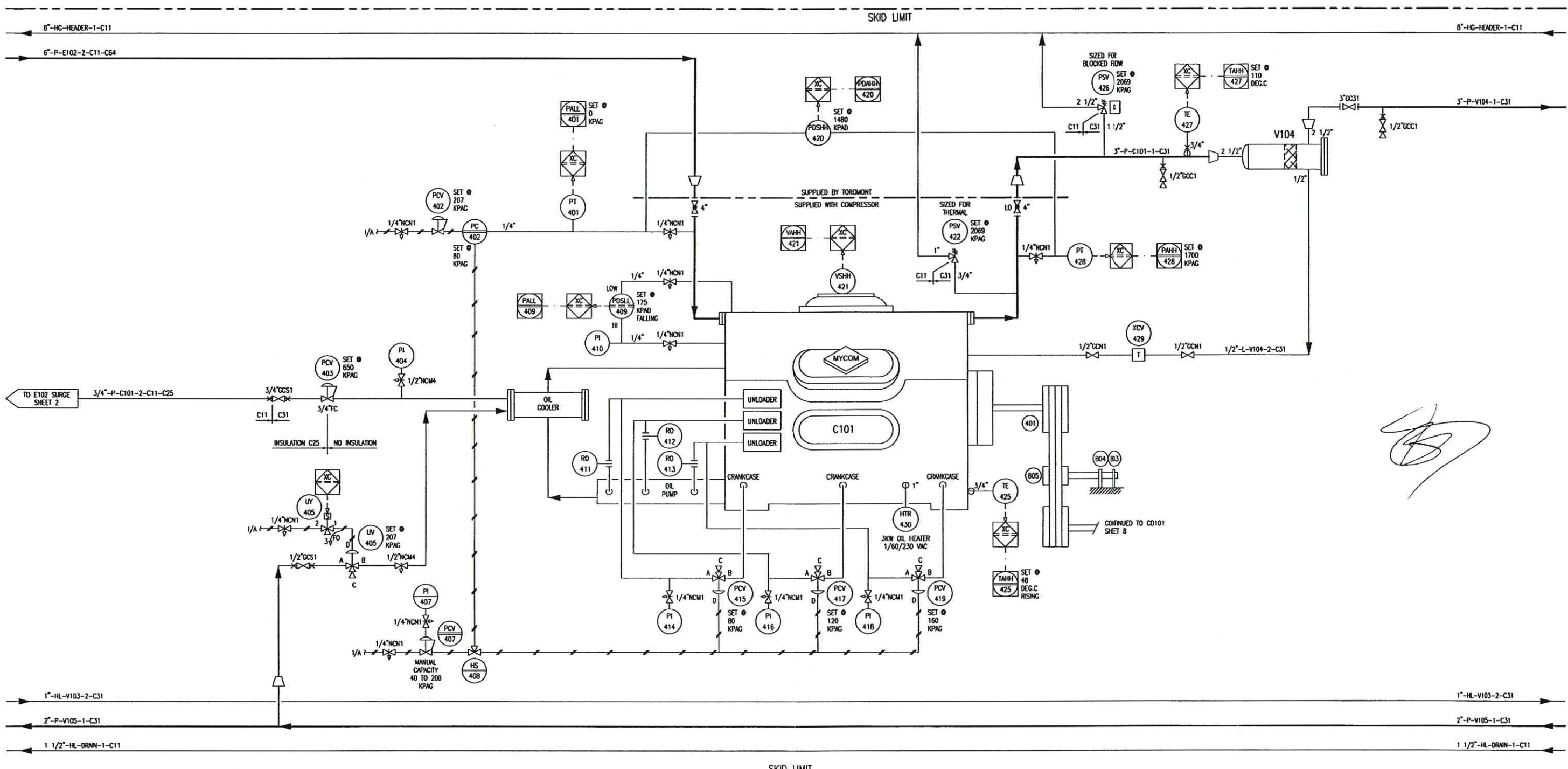


NEXT AVAILABLE TAG NUMBER: 327				TOROMONT TOROMONT PROCESS SYSTEMS		TITLE: P & I FLOW DIAGRAM	
DRAWN BY: THOMAS MAH				DATE: AUG. 26, 2005		FOR: ALTAGAS LIMITED PARTNERSHIP 12 TO 15 MMSCFD ALTAGAS CLEAR PRAIRIE GAS PLANT LSD: 07-33-90-12 W6M	
CHKD BY: B. MILLARD				SCALE: N/A			
APPR BY: B. MILLARD				W.O. No: 11957101			
CUST. PO No:		DWC. No: 11957-101		SHEET No: 3		REV: 2	
REV.		DESCRIPTION		DATE		BY APPR.	
1		ISSUED FOR CONSTRUCTION		SEP 12/05		GS BM	
A		ISSUED FOR APPROVAL		AUG 26/05		TM BM	

THE INFORMATION CONTAINED HEREIN IS THE CONFIDENTIAL PROPERTY OF TOROMONT PROCESS SYSTEMS AND IS NOT FOR PUBLICATION, AND NO PART THEREOF SHALL BE COPIED OR COMMUNICATED TO A THIRD PARTY WITHOUT AUTHORIZATION FROM TOROMONT PROCESS SYSTEMS

C101
REFRIGERANT COMPRESSOR
 MAKE: MYCOM P8MB
 OPERATING SPEED: 1185 RPM
 SUCTION PRESSURE: 80 TO 225 KPAG
 SUCTION TEMPERATURE: -21 TO -18.5 DEG.C
 DISCHARGE PRESSURE: 1457 KPAG
 DISCHARGE TEMPERATURE: 72 DEG.C
 MAX. FLOW RATE: 2611 KGS/HR
 MAX. POWER DRAW: 108 KW
 WEIGHT: 1550 KGS.

V104
SECONDARY OIL SEPARATOR
 MODEL: CHILTON COSM-0700
 SIZE: 324 MM O.D. X 1092 MM OAL
 NAME: 2758 KPAG @ 121 DEG.C
 WAMP: -29 DEG.C @ 2758 KPAG
 SHELL MATERIAL: SA-53B
 HEAD MATERIAL: SA-516-70
 WEIGHT: 111 KGS.



[Handwritten signature]

NOTE: 1
 PSV SUPPLIED WITH COMPRESSOR.

REV.		DESCRIPTION	DATE	BY	APPR.
2	AS BUILT		DEC 28/05	BD	
1	ISSUED FOR CONSTRUCTION		SEP 12/05	GS	BM
A	ISSUED FOR APPROVAL		AUG 26/05	TM	BM

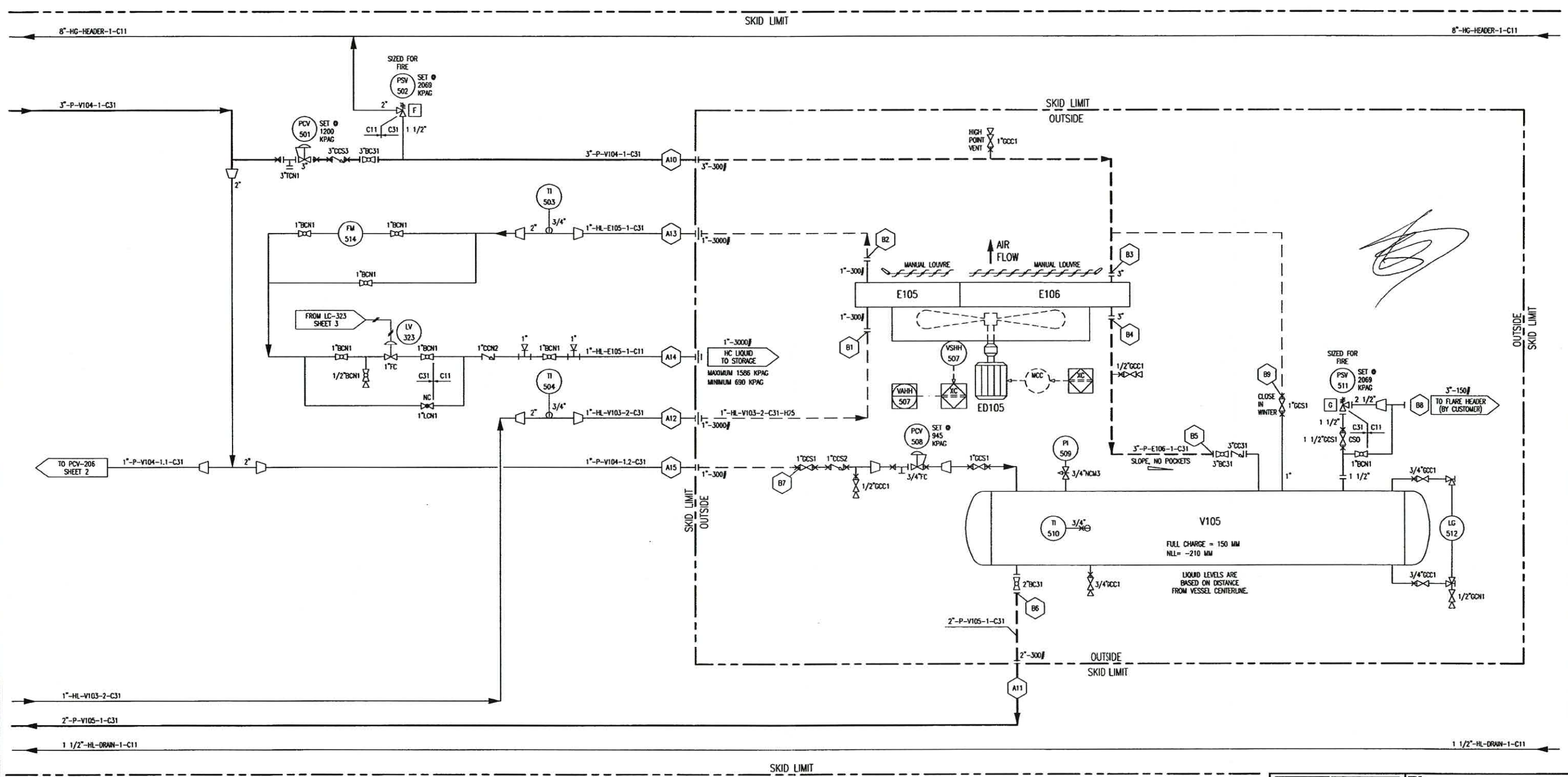
		TITLE: P & I FLOW DIAGRAM FOR: ALTAGAS LIMITED PARTNERSHIP 12 TO 15 MMSCFD ALTAGAS CLEAR PRAIRIE GAS PLANT LSD: 07-33-90-12 W6M	
DRAWN BY: THOMAS MAH	DATE: AUG. 26, 2005	SCALE: N/A	W.G. No.: 11957101
CHKD. BY: B. MILLARD	APPR. BY: B. MILLARD	DWG. No.: 11957-101	SHEET No.: 4
NEXT AVAILABLE TAG NUMBER: 431		PERMIT TO PRACTICE STAMP	ENGINEER STAMP

THE INFORMATION CONTAINED HEREIN IS THE CONFIDENTIAL PROPERTY OF TOROMONT PROCESS SYSTEMS AND IS NOT FOR PUBLICATION, AND NO PART THEREOF SHALL BE COPIED OR COMMUNICATED TO A THIRD PARTY WITHOUT AUTHORIZATION FROM TOROMONT PROCESS SYSTEMS.

E105/E106
PRODUCT COOLER/REFRIGERANT CONDENSER
 TYPE: ACE
 MODEL: E-108-115-15
 E105
 H.C. LIQUID PRODUCT COIL
 TYPE: HIGH PERFORMANCE MARINE
 MAMP: 2415 KPAG @ 204 DEG.C
 MDMT: -29 DEG.C @ 2415 KPAG
 DUTY: 15 KW
 E106
 PROPANE CONDENSER COIL
 TYPE: HIGH PERFORMANCE MARINE
 MAMP: 2069 KPAG @ 149 DEG.C
 MDMT: -29 DEG.C @ 2069 KPAG
 DUTY: 216 KW

ED105
FAN MOTOR
 ELECTRIC MOTOR
 MAKE: TBD
 MODEL: 160L
 14.9 KW @ 1800 RPM
 3 / 60 / 460 VAC
 SERVICE FACTOR: 1.0
 ENCLOSURE: TEFC

V105
REFRIGERANT RECEIVER
 SIZE: 610 MM O.D. X 3658 MM S/S
 MAMP: 2069 KPAG @ 148 DEG.C
 MDMT: -29 DEG.C @ 2069 KPAG
 C.A.: 1.6 MM
 SHELL MATERIAL: SA-106B
 HEAD MATERIAL: SA-516-70
 WEIGHT: 658 KGS.



NEXT AVAILABLE TAG NUMBER: 514

REV.	DESCRIPTION	DATE	BY	APPR.
2	AS BUILT	DEC 28/05	BD	
1	ISSUED FOR CONSTRUCTION	SEP 12/05	CS	BM
A	ISSUED FOR APPROVAL	AUG 26/05	TM	BM

TOROMONT TOROMONT PROCESS SYSTEMS		TITLE: P & I FLOW DIAGRAM	
DRWN BY: THOMAS MAH	DATE: AUG. 26, 2005	FOR: ALTAGAS LIMITED PARTNERSHIP 12 TO 15 MMSCFD ALTAGAS CLEAR PRAIRIE GAS PLANT LSD: 07-33-90-12 W6M	
CHKD BY: B. MILLARD	SCALE: N/A		
APPR BY: B. MILLARD	W.D. No: 11957101		
CUST. PO No:	DWG. No: 11957-101	SHEET No: 5	REV: 2

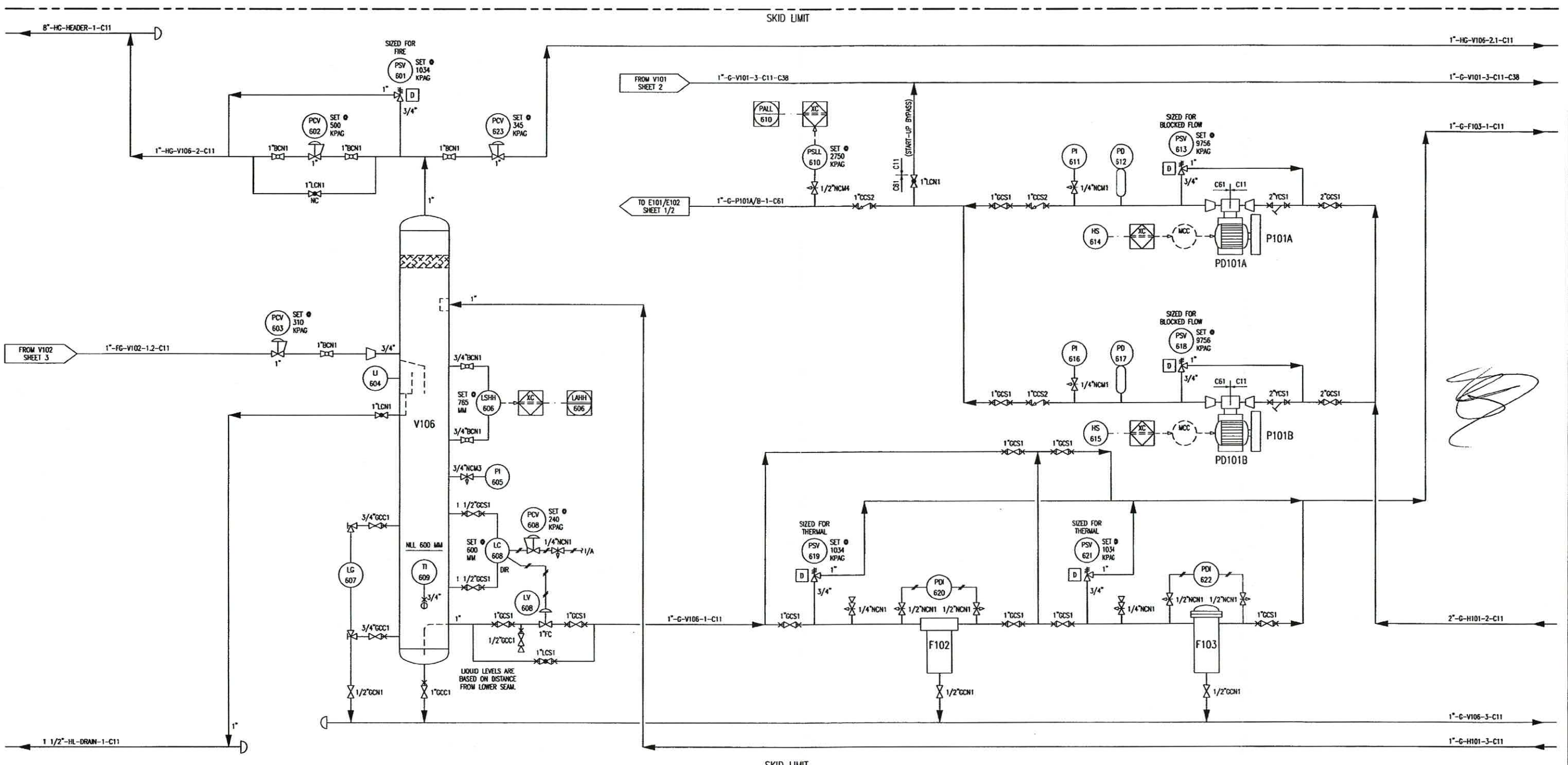
THE INFORMATION CONTAINED HEREIN IS THE CONFIDENTIAL PROPERTY OF TOROMONT PROCESS SYSTEMS AND IS NOT FOR PUBLICATION, AND NO PART THEREOF SHALL BE COPIED OR COMMUNICATED TO A THIRD PARTY WITHOUT AUTHORIZATION FROM TOROMONT PROCESS SYSTEMS

V106
GLYCOL FLASH TANK
 SIZE: 324 MM O.D. X 1524 MM S/S
 MAWP: 1034 KPAC @ 77 DEG.C
 MDMT: -29 DEG.C @ 1034 KPAC
 C.A.: 1.6 MM
 SHELL MATERIAL: SA-106B
 HEAD MATERIAL: SA-516-70
 WEIGHT: 290 KGS.

F102
GLYCOL FILTER
 MAKE: WEIR
 MODEL: 1B1-C78CBH
 MAWP: 1207 KPAC @ 121 DEG.C
 SHELL MATERIAL: 304SS
 HEAD MATERIAL: 304SS
 WEIGHT: 5 KGS.

F103
CARBON FILTER
 MAKE: WEIR
 MODEL: 1B2-LJCKS19.5FS
 MAWP: 1207 KPAC @ 121 DEG.C
 SHELL MATERIAL: 304SS
 HEAD MATERIAL: 304SS
 WEIGHT: 6 KGS.

P101A/B & PD101A/B
GLYCOL INJECTION PUMPS & MOTORS
 MAKE: DAVID BROWN UNION
 MODEL: SK3
 MAX FLOW RATE: 7.9 LPM @ 7585 KPAC
 FLUID: GLYCOL
 POWER DRAW: 1.88
 MOTOR: 2.2 KW
 3 / 60 / 460/230 V
 ENCLOSURE: XP
 WEIGHT: 275 KGS. (EACH)



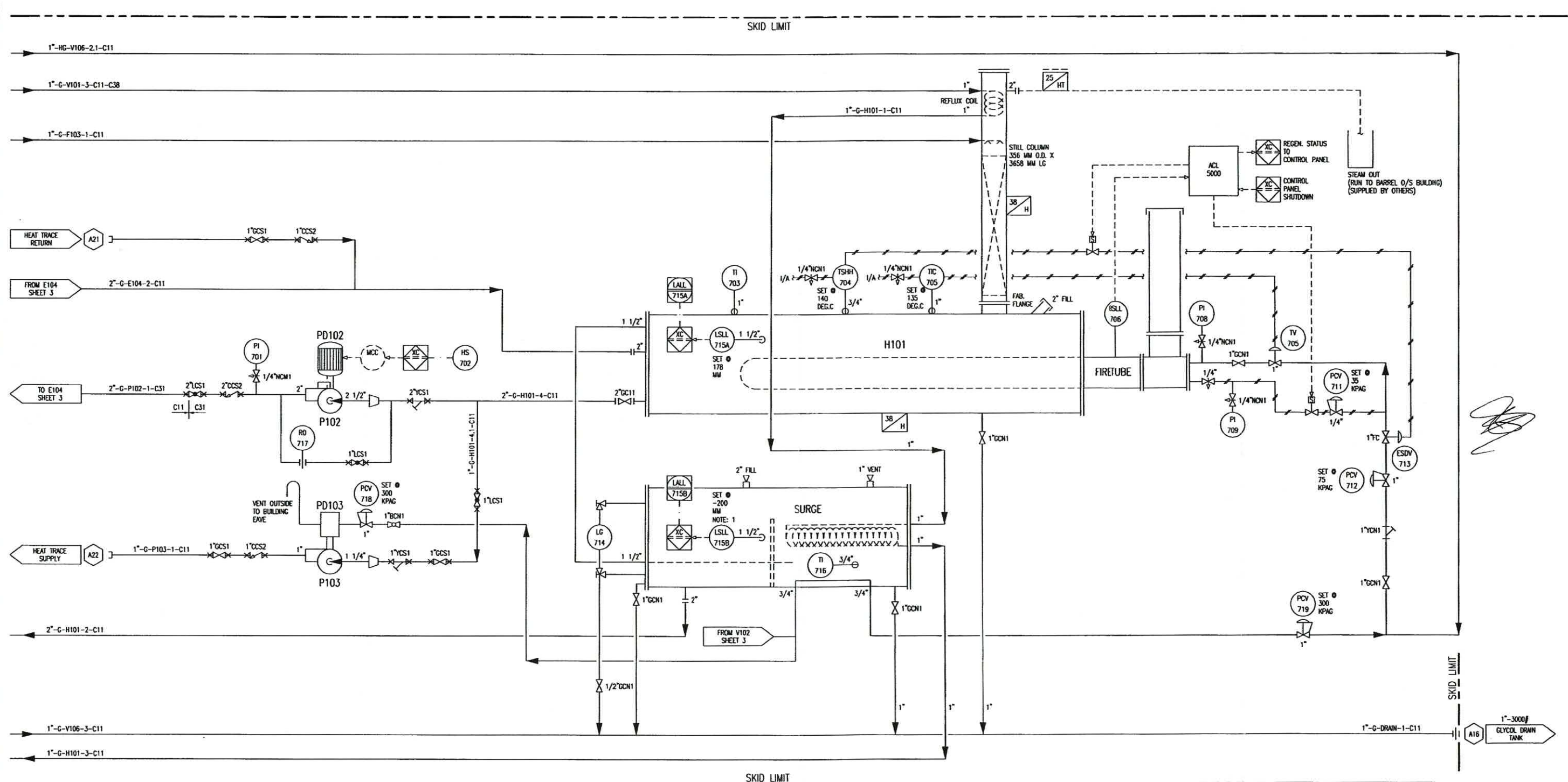
NEXT AVAILABLE TAG NUMBER: 624						TITLE: P & I FLOW DIAGRAM FOR: ALTAGAS LIMITED PARTNERSHIP 12 TO 15 MMSCFD ALTAGAS CLEAR PRAIRIE GAS PLANT LSD: 07-33-90-12 W6M	
DRAWN BY: THOMAS MAH CHD. BY: B. MILLARD APPR. BY: B. MILLARD CUST. PO No:		DATE: AUG. 26, 2005 SCALE: N/A W.O. No: 11957101		PERMIT TO PRACTICE STAMP ENGINEER STAMP		ENG. No: 11957-101 SHEET No: 6 REV: 2	
2	AS BUILT	DEC 28/05	BD				
1	ISSUED FOR CONSTRUCTION	SEP 12/05	GS	BM			
A	ISSUED FOR APPROVAL	AUG 26/05	TM	BM			
REV.	DESCRIPTION	DATE	BY	APPR.			

THE INFORMATION CONTAINED HEREIN IS THE CONFIDENTIAL PROPERTY OF TOROMONT PROCESS SYSTEMS AND IS NOT FOR PUBLICATION AND NO PART THEREOF SHALL BE COPIED OR COMMUNICATED TO A THIRD PARTY WITHOUT AUTHORIZATION FROM TOROMONT PROCESS SYSTEMS.

P102 & PD102
 GLYCOL PUMP & MOTOR
 MAKE: CARVER
 MODEL: BC-2 1/2" X 2" X 7"
 DESIGN FLOW RATE: 283 LPM @ 10.6 M HEAD
 FLUID: GLYCOL
 POWER DRAW: 0.55 KW
 MOTOR: 1.11 KW
 3 / 60 / 460 VAC EXPLOSION PROOF

P103 & PD103
 GLYCOL PUMP & GAS MOTOR
 MAKE: PRICE
 MODEL: CD100-A-425-P
 SIZE: 1" X 1 1/4" X 5"
 GAST GAS MODEL: 4M-FRY-13C
 MOTOR: 0.89 KW

H101
 GLYCOL REGENERATOR
 MAKE: PETRO-TECH
 REGEN SHELL: 762 MM OD X 3657 MM LG
 SURGE SHELL: 609 MM OD X 3048 MM LG
 SHELL MATERIAL: SA-53B
 HEAD MATERIAL: SA-36
 DUTY: 146 KW
 WEIGHT: 3025 KGS.



NOTE: 1
 LIQUID LEVEL FROM CENTER OF SURGE.

REV.	DESCRIPTION	DATE	BY	APPR.
2	AS BUILT	DEC 28/05	BD	
1	ISSUED FOR CONSTRUCTION	SEP 12/05	GS	BM
A	ISSUED FOR APPROVAL	AUG 26/05	TM	BM

NEXT AVAILABLE TAG NUMBER: 720

TOROMONT		TOROMONT PROCESS SYSTEMS	
DRAWN BY: THOMAS MAH	DATE: AUG. 26, 2005	TITLE: P & I FLOW DIAGRAM	
CHKD. BY: B. MILLARD	SCALE: N/A	FOR: ALTAGAS LIMITED PARTNERSHIP 12 TO 15 MMSCFD ALTAGAS CLEAR PRAIRIE GAS PLANT LSD: 07-33-90-12 WGM	
APPR. BY: B. MILLARD	W.D. No: 11957101	DWG. No: 11957-101	SHEET No: 7
CUST. PO No:			REV: 2

THE INFORMATION CONTAINED HEREIN IS THE CONFIDENTIAL PROPERTY OF TOROMONT PROCESS SYSTEMS AND IS NOT FOR PUBLICATION AND NO PART THEREOF SHALL BE COPIED OR COMMUNICATED TO A THIRD PARTY WITHOUT AUTHORIZATION FROM TOROMONT PROCESS SYSTEMS.

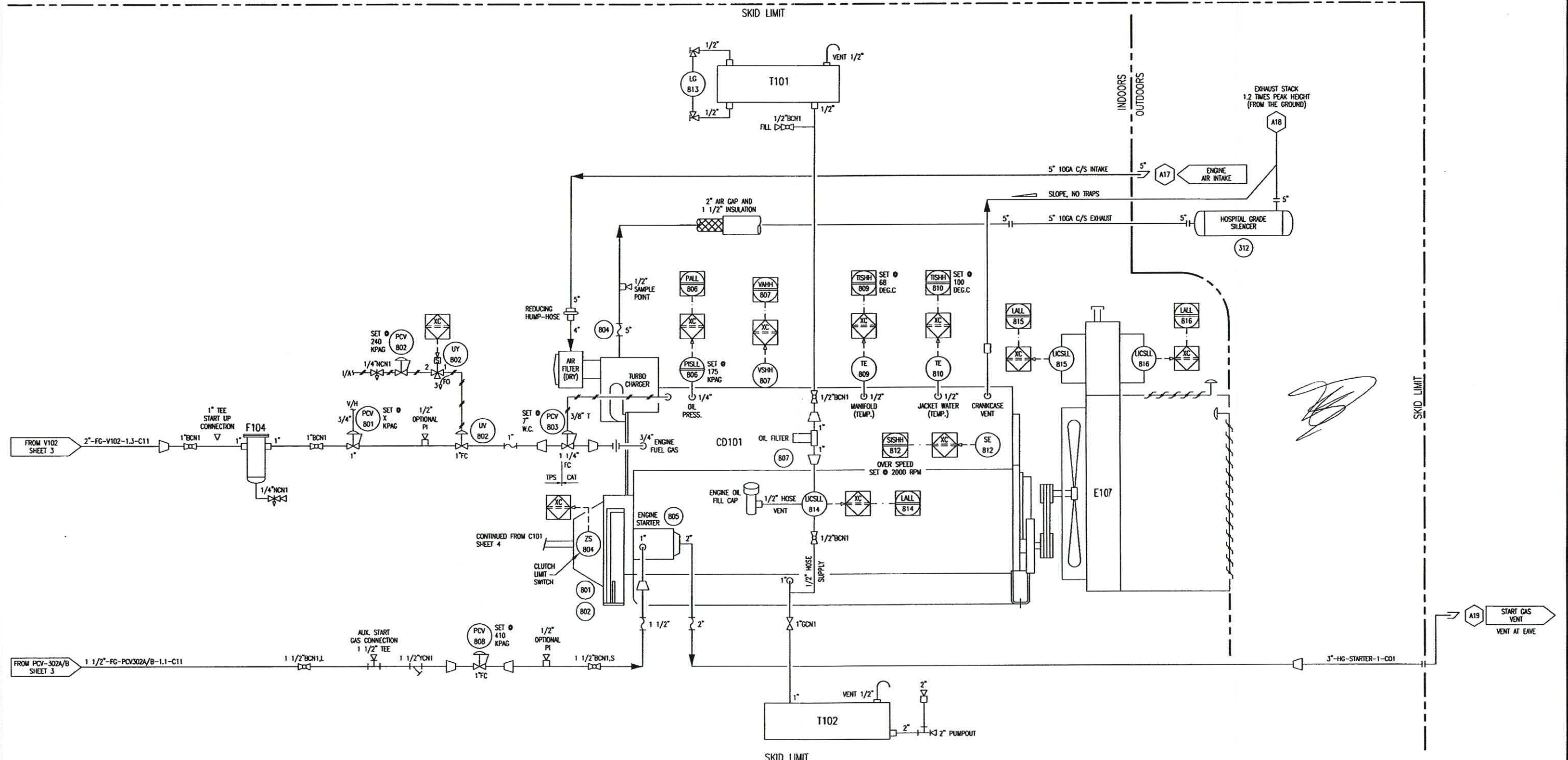
F104
FUEL GAS FILTER
 TYPE: HEADLINE
 MODEL: MA5.3.152AL1-70C
 SIZE: 4" O.D. X 305 MM S/F
 MAMP: 3448 KPAC @ 93 DEG.C
 ELEMENT: 38-152-70C
 WEIGHT: 5 KGS.

T101
OIL DAY TANK
 SIZE: HSS 1/4" THK 12" X 8" X 3750 MM LG
 VOLUME: 208 LITERS

CD101
NATURAL GAS ENGINE
 TYPE: CATERPILLAR 3306TA
 BORE: 4.75"
 STROKE: 6"
 DISPLACEMENT: 638 CU. IN.
 COMPRESSION RATIO: 8.0: 1
 SPEED RANGE: 1200-1800 RPM
 BHP (RATED): 203 HP @ 1800 RPM
 WEIGHT: 2090 LBS.

E107
RADIATOR COOLER
 GLOBAL HEAT TRANSFER
 COMBINED E/W/A/W
 E/W SECTION FLOW: 189 L/MIN
 E/W SECTION DUTY: 175 KW
 A/W SECTION FLOW: 132 L/MIN
 A/W SECTION DUTY: 13 L/MIN

T102
OIL DRAIN TANK
 SIZE: 1/4" THK 1035 MM X 1428 MM X 421 MM
 VOLUME: 622 LITERS

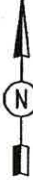


NEXT AVAILABLE TAG NUMBER: 817

REV.	DESCRIPTION	DATE	BY	APPR.
2	AS BUILT	DEC 28/05	BD	
1	ISSUED FOR CONSTRUCTION	SEP 12/05	GS	BM
A	ISSUED FOR APPROVAL	AUG 26/05	TM	BM

TOROMONT TOROMONT PROCESS SYSTEMS		TITLE: P & I FLOW DIAGRAM	
DRAWN BY: THOMAS MAH CHKD. BY: B. MILLARD APPR. BY: B. MILLARD CUST. PO No:	DATE: AUG. 26, 2005 SCALE: N/A W.O. No: 11957101	FOR: ALTAGAS LIMITED PARTNERSHIP 12 TO 15 MMSCFD ALTAGAS CLEAR PRAIRIE GAS PLANT LSD: 07-33-90-12 W6M	
		DWG. No: 11957-101	SHEET No: 8 REV: 2

THE INFORMATION CONTAINED HEREIN IS THE CONFIDENTIAL PROPERTY OF TOROMONT PROCESS SYSTEMS AND IS NOT FOR PUBLICATION AND NO PART THEREOF SHALL BE COPIED OR COMMUNICATED TO A THIRD PARTY WITHOUT AUTHORIZATION.

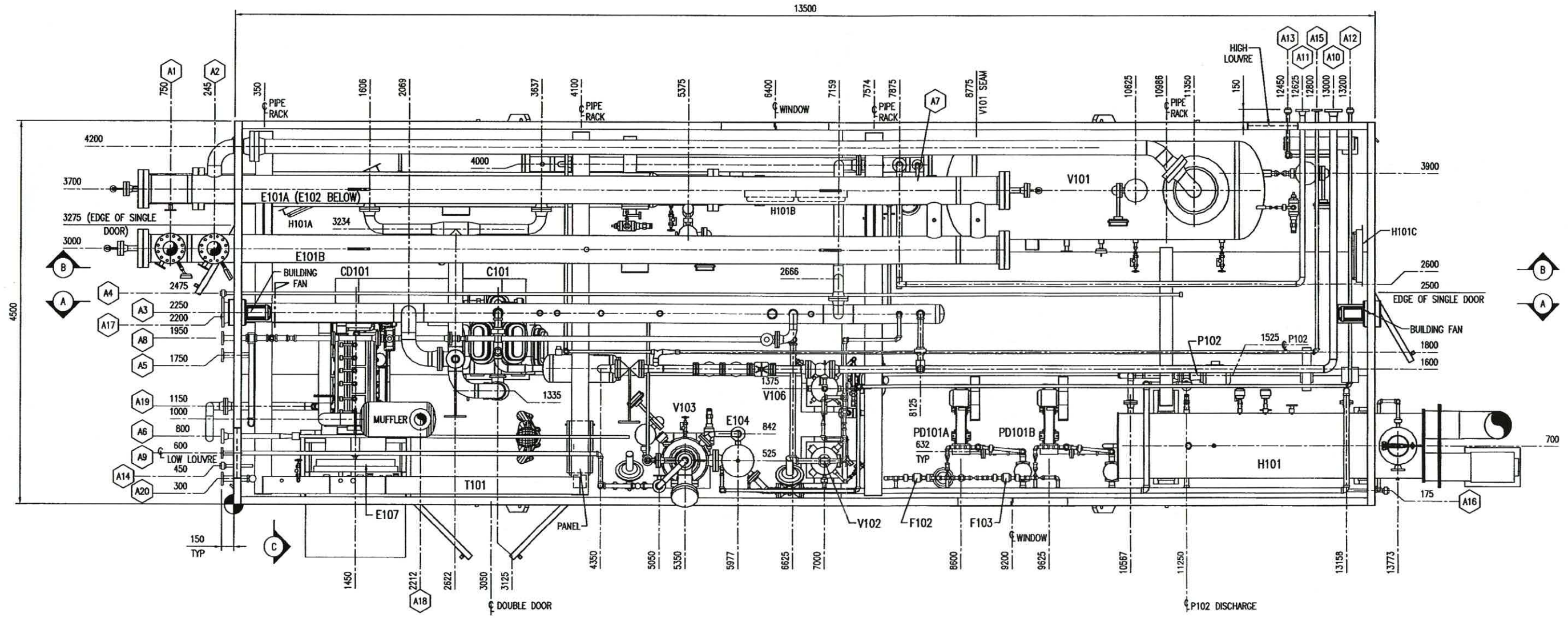
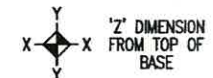


NOZZLE SCHEDULE				
MARK	SERVICE	SIZE	RATING	TYPE
A1	GAS INLET	6"	600#	RF
A2	SALES GAS	6"	600#	RF
A3	FLARE HEADER	8"	150#	RFWN
A4	INSTRUMENT AIR SUPPLY	1"	3000#	NPT
A5	TO DRAIN TANK	1 1/2"	150#	RFSW
A6	FUEL GAS BUYBACK	2"	600#	RFWN
A7	METHANOL INJECTION POINT	1"	3000#	NPT
A8	FUEL GAS	2"	150#	RFSW
A9	TO FUTURE O/H COMPRESSOR	1 1/2"	150#	RFSW
A10	PROPANE TO E106	3"	300#	RFWN

NOZZLE SCHEDULE				
MARK	SERVICE	SIZE	RATING	TYPE
A11	LIQUID PROPANE FROM V105	2"	300#	RFWN
A12	HYDROCARBON LIQUID TO E105	1"	3000#	NPT
A13	HC FROM E105	1"	3000#	NPT
A14	HC LIQUID TO STORAGE	1"	3000#	NPT
A15	PROPANE TO V105	1"	300#	RFSW
A16	GLYCOL DRAIN TANK	1"	3000#	NPT
A17	ENGINE AIR INTAKE	5"	-	STUB
A18	ENGINE EXHAUST	5"	-	STUB
A19	START GAS VENT	3"	-	STUB
A20	START GAS	2"	150#	RFSW

GENERAL NOTES:

- ALL TAIL DIMENSIONS FROM REFERENCE POINT.
- SHIPPING LENGTH: 16000 MM
SHIPPING WIDTH: 4800 MM
SHIPPING HEIGHT: 5250 MM (MAXIMUM)
- SHIPPING WEIGHT: 70500 KGS
- OPERATING WEIGHT: 73500 KGS
- OVERALL SKID DEPTH: 455 MM
- NOZZLE ELEVATIONS ARE FROM CENTERLINE OF PIPE TO TOP OF BASE (REFERENCE POINT).
- (*) DENOTES ELEVATION FROM FACE OF FLANGE TO TOP OF BASE (REFERENCE POINT).
- CENTER OF GRAVITY (SHIPPING):
X FROM REFERENCE POINT: 6422 MM
Y FROM REFERENCE POINT: 2233 MM
Z FROM REFERENCE POINT: 1325 MM



REV.	DESCRIPTION	DATE	BY	APPR.
2	AS BUILT	DEC 30/05	BD	
1	ISSUED FOR CONSTRUCTION	SEP 28/05	GS	BM
A	ISSUED FOR INFORMATION	SEP 19/05	GS	BM

PERMIT TO PRACTICE STAMP
ENGINEER STAMP

TOROMONT
TOROMONT PROCESS SYSTEMS

DRAWN BY: G. STANGNESS
CHKD. BY: B. MILLARD
APPR. BY: B. MILLARD
CUST. PO No:

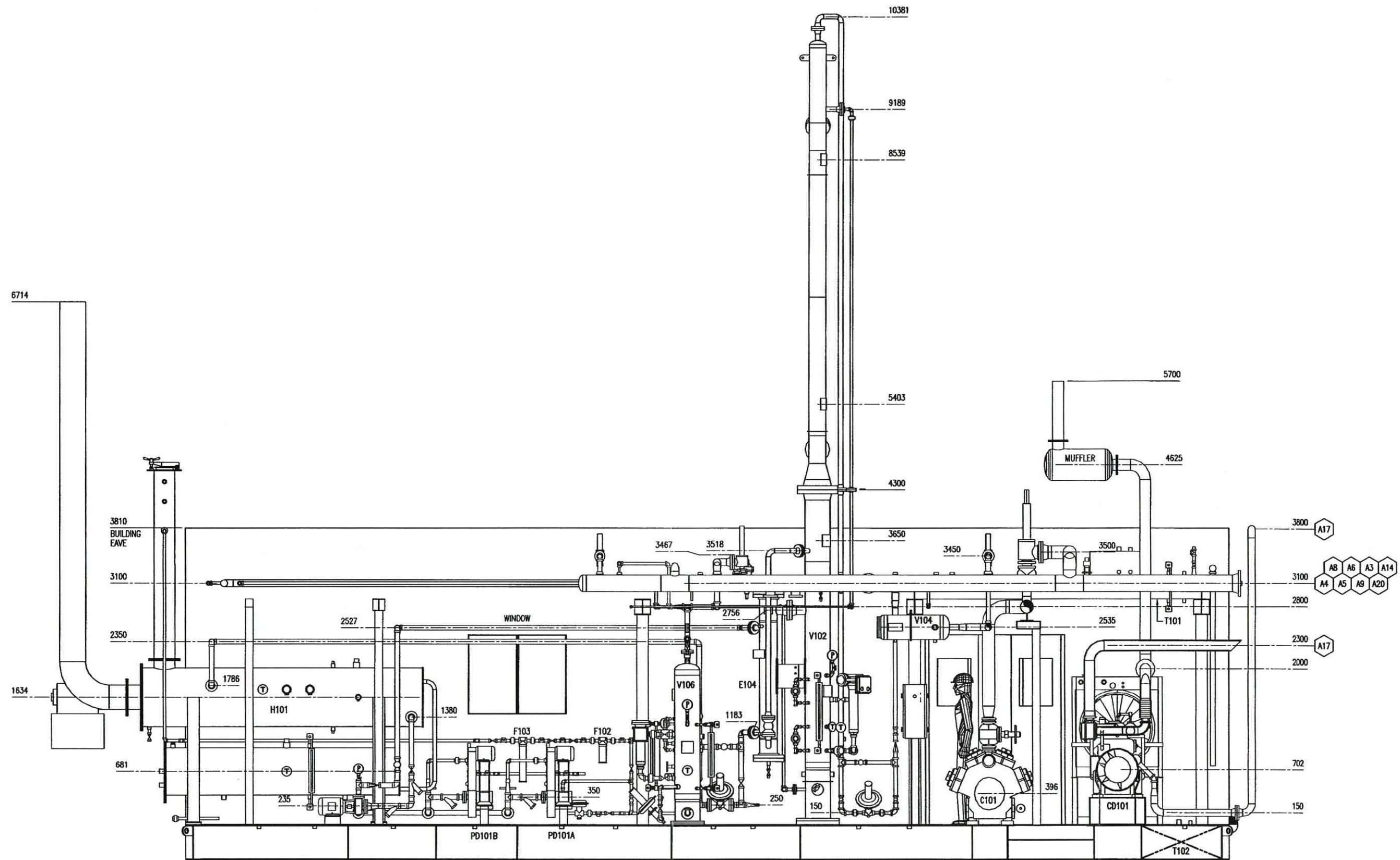
DATE: AUG 16, 2005
SCALE: 1 : 25
W.O. No: 11957201

TITLE: GENERAL ARRANGEMENT

FOR: ALTAGAS LIMITED PARTNERSHIP
ALTAGAS CLEAR PRAIRIE GAS PLANT
12 TO 15 MMSCFD GAS PLANT
LSD: 07-33-90-12-W6M

DWG. No: 11957-201
SHEET No: 1
REV: 2

THE INFORMATION CONTAINED HEREIN IS THE CONFIDENTIAL PROPERTY OF TOROMONT PROCESS SYSTEMS, AND IS NOT FOR PUBLICATION, AND NO PART THEREOF SHALL BE COPIED OR COMMUNICATED TO A THIRD PARTY WITHOUT AUTHORIZATION.



SECTION 'A-A'

REV.	DESCRIPTION	DATE	BY	APPR.
2	AS BUILT	DEC 30/05	BD	
1	ISSUED FOR CONSTRUCTION	SEP 28/05	GS	BM
A	ISSUED FOR INFORMATION	SEP 19/05	GS	BM

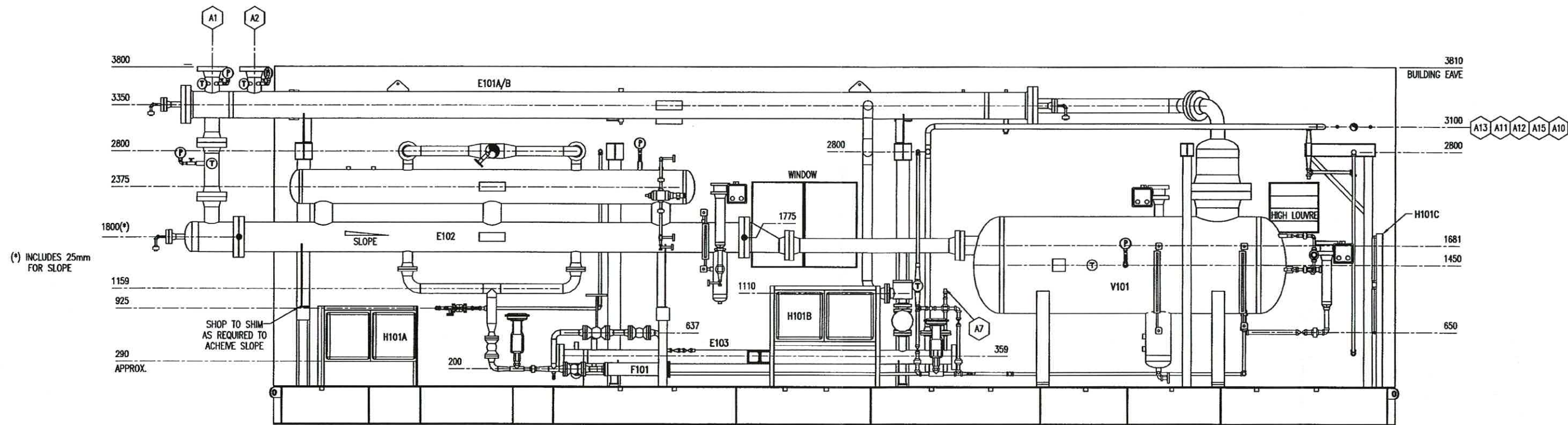
PERMIT TO PRACTICE STAMP

ENGINEER STAMP

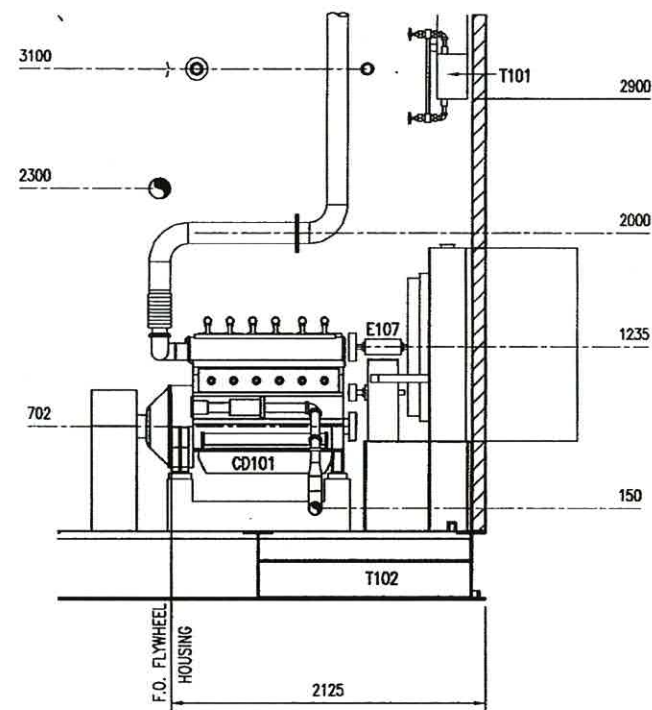
TOROMONT		TOROMONT PROCESS SYSTEMS	
DRAWN BY: G. STANGNESS	DATE: AUG 16, 2005		
CHD. BY: B. MILLARD	SCALE: 1 : 25		
APPR. BY: B. MILLARD	W.D. No: 11957201		
CUST. PO No:			

TITLE: VIEW 'A-A'
FOR: ALTAGAS LIMITED PARTNERSHIP ALTAGAS CLEAR PRAIRIE GAS PLANT 12 TO 15 MMSCFD GAS PLANT LSD: 07-33-90-12-W6M
DWG. No: 11957-201
SHEET No: 2
REV: 2

THE INFORMATION CONTAINED HEREIN IS THE CONFIDENTIAL PROPERTY OF TOROMONT PROCESS SYSTEMS. AND IS NOT FOR PUBLICATION, AND NO PART THEREOF SHALL BE COPIED OR COMMUNICATED TO A THIRD PARTY WITHOUT AUTHORIZATION. TOROMONT PROCESS SYSTEMS.



SECTION 'B-B'



SECTION 'C-C'

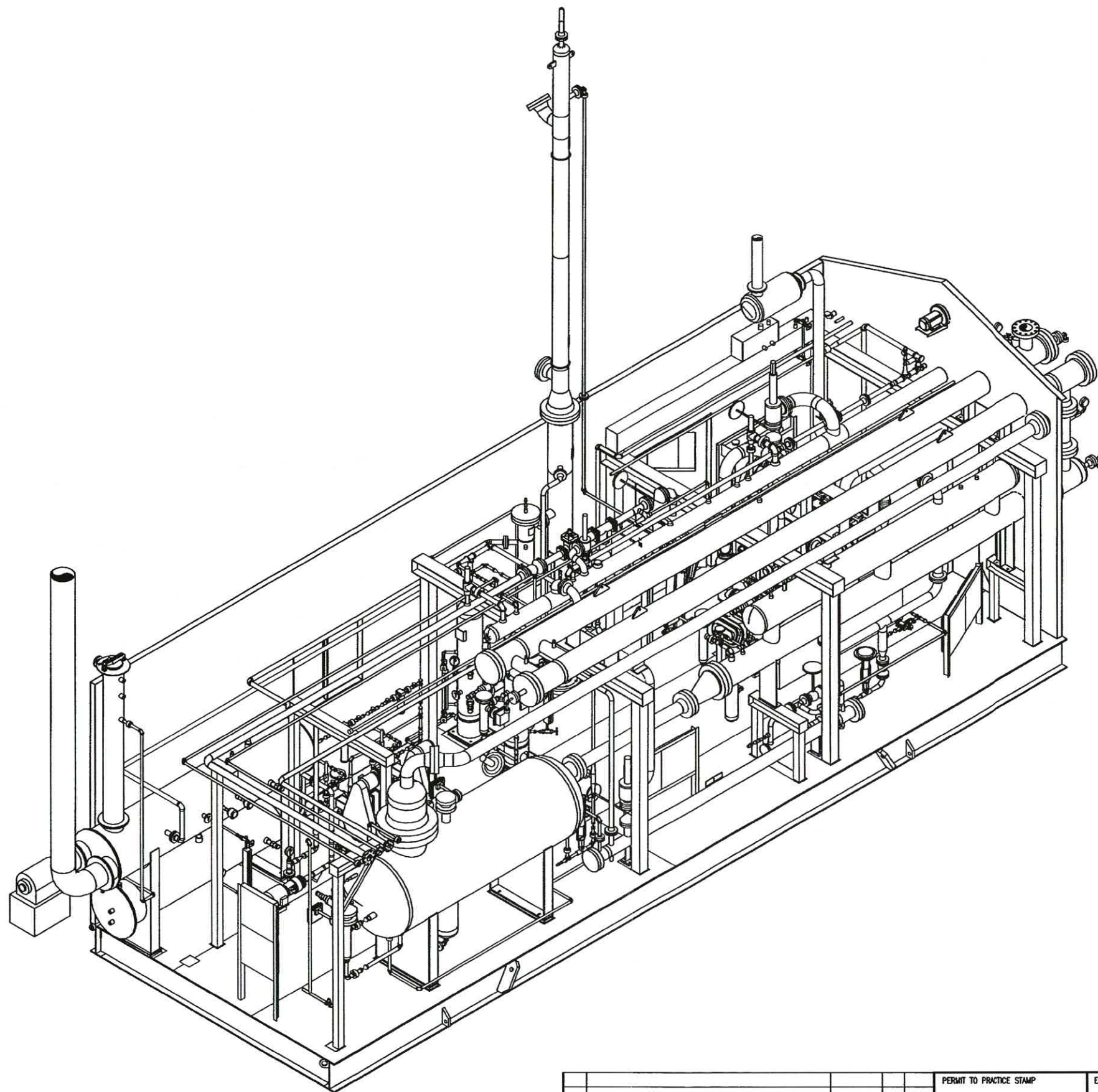
REV.	DESCRIPTION	DATE	BY	APPR.
2	AS BUILT	DEC 30/05	BD	
1	ISSUED FOR CONSTRUCTION	SEP 28/05	GS	BM
A	ISSUED FOR INFORMATION	SEP 19/05	GS	BM

PERMIT TO PRACTICE STAMP

ENGINEER STAMP

TOROMONT		TOROMONT PROCESS SYSTEMS	
DRAWN BY: G. STANGNESS	DATE: AUG 16, 2005		
CHECKED BY: B. MILLARD	SCALE: 1 : 25		
APPROVED BY: B. MILLARD	W.D. No: 11957201		
CUST. PO No:			

TITLE: VIEW 'B-B'
FOR: ALTAGAS LIMITED PARTNERSHIP ALTAGAS CLEAR PRAIRIE GAS PLANT 12 TO 15 MMSCFD LSD: 07-33-90-12-W6M
DWG. No: 11957-201
SHEET No: 3
REV: 2



REV.	DESCRIPTION	DATE	BY	APPR.
2	AS BUILT	DEC 30/05	BD	
1	ISSUED FOR CONSTRUCTION	SEP 28/05	GS	BM
A	ISSUED FOR INFORMATION	SEP 19/05	GS	BM

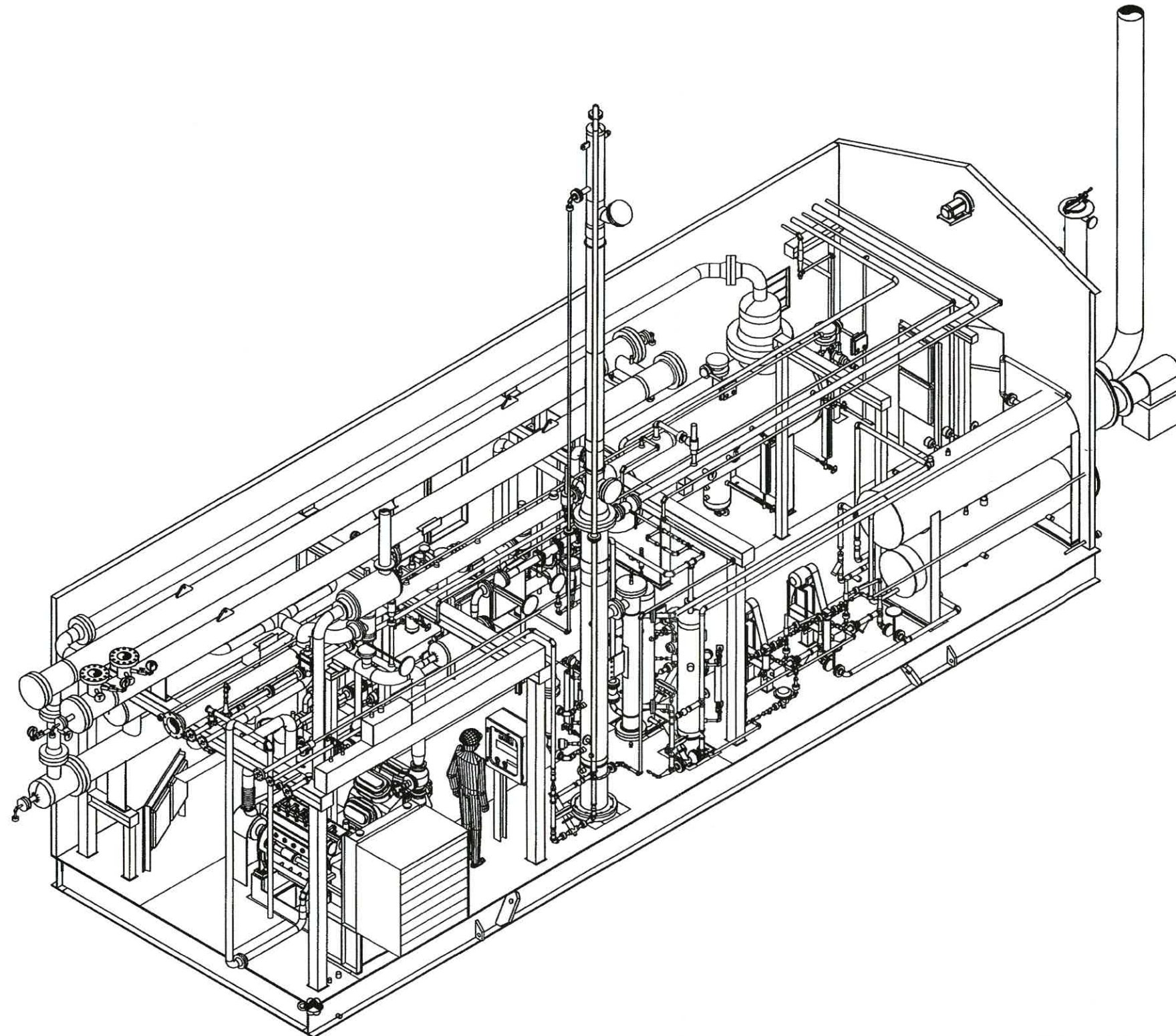
PERMIT TO PRACTICE STAMP

ENGINEER STAMP

DRAWN BY: G. STANGNESS	DATE: AUG 16, 2005
CHD. BY: B. MILLARD	SCALE: 1 : 25
APPR. BY: B. MILLARD	W.D. No: 11957201
CUST. PO No:	

TITLE:	ISOMETRIC VIEW
FOR:	ALTAGAS LIMITED PARTNERSHIP ALTAGAS CLEAR PRAIRIE GAS PLANT 12 TO 15 MMSCFD GAS PLANT LSD: 07-33-90-12-W6M
DWG. No:	11957-201
SHEET No:	4
REV:	2

THE INFORMATION CONTAINED HEREIN IS THE CONFIDENTIAL PROPERTY OF TOROMONT PROCESS SYSTEMS AND IS NOT FOR PUBLICATION AND NO PART THEREOF SHALL BE COPIED OR COMMUNICATED TO A THIRD PARTY WITHOUT AUTHORIZATION.



REV.	DESCRIPTION	DATE	BY	APPR.
2	AS BUILT	DEC 30/05	BD	
1	ISSUED FOR CONSTRUCTION	SEP 28/05	GS	BM
A	ISSUED FOR INFORMATION	SEP 19/05	GS	BM

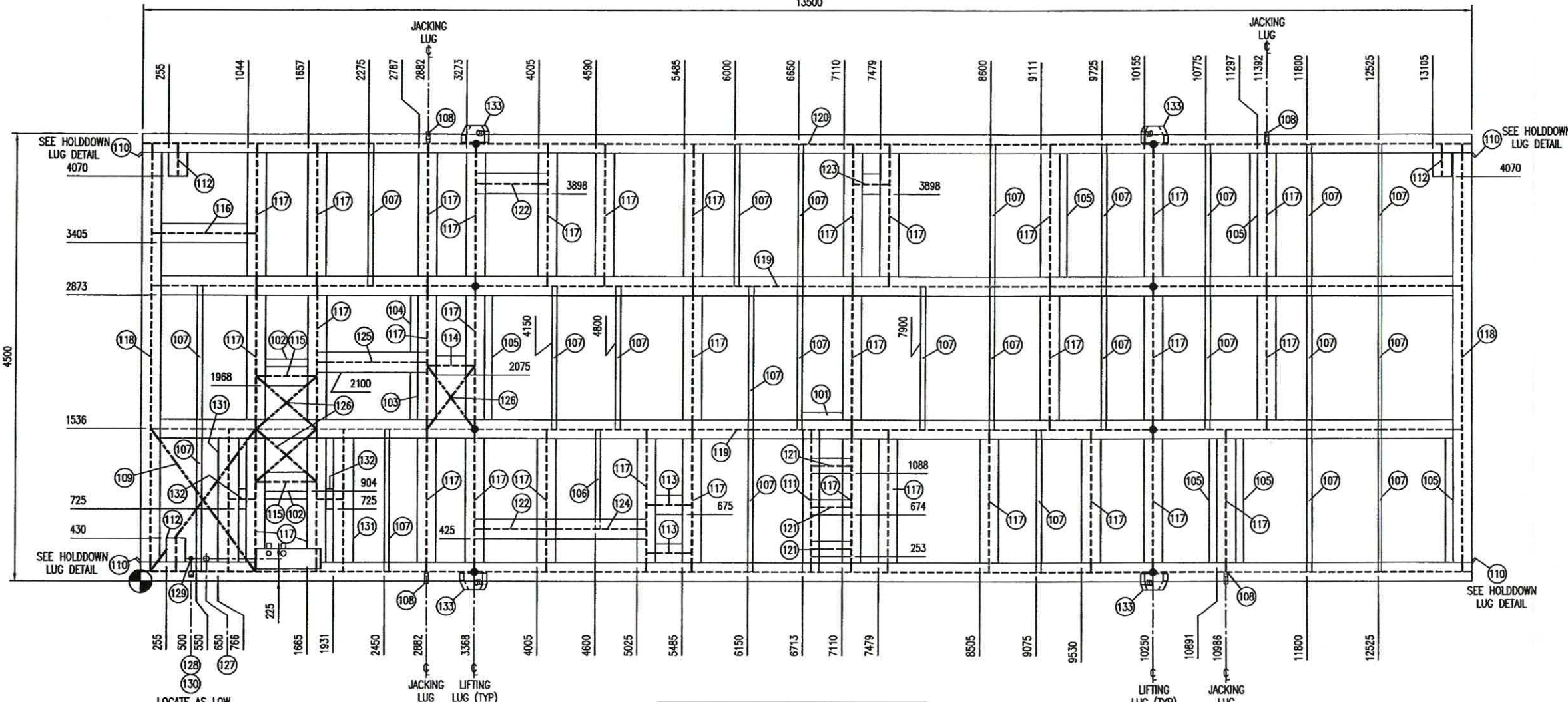
PERMIT TO PRACTICE STAMP

ENGINEER STAMP

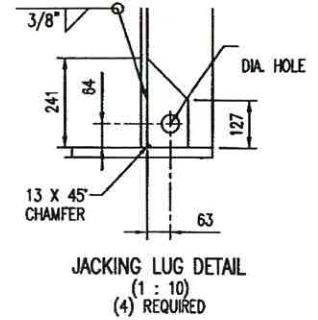
		TITLE: ISOMETRIC VIEW	
DRAWN BY: G. STANGNESS	DATE: AUG 16, 2005	FOR: ALTAGAS LIMITED PARTNERSHIP ALTAGAS CLEAR PRAIRIE GAS PLANT 12 TO 15 MMSCFD GAS PLANT LSD: 07-33-90-12-W6M	
CHKD. BY: B. MILLARD	SCALE: 1 : 25	DWG. No.: 11957-201	
APPR. BY: B. MILLARD	W.D. No.: 11957201	CUST. PO No.:	SHEET No.: 5
		REV.: 2	

THE INFORMATION CONTAINED HEREIN IS THE CONFIDENTIAL PROPERTY OF TOROMONT PROCESS SYSTEMS. IT IS NOT TO BE REPRODUCED OR TRANSMITTED IN ANY FORM OR BY ANY MEANS, ELECTRONIC OR MECHANICAL, INCLUDING PHOTOCOPYING, RECORDING, OR BY ANY INFORMATION STORAGE AND RETRIEVAL SYSTEM. AND IS NOT FOR PUBLICATION AND NO PART THEREOF SHALL BE COPIED OR COMMUNICATED TO A THIRD PARTY WITHOUT AUTHORIZATION.

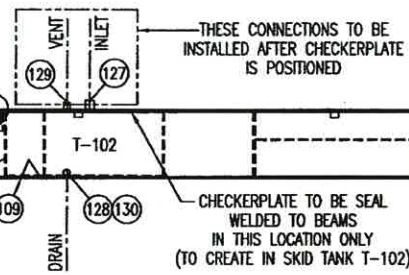
13500



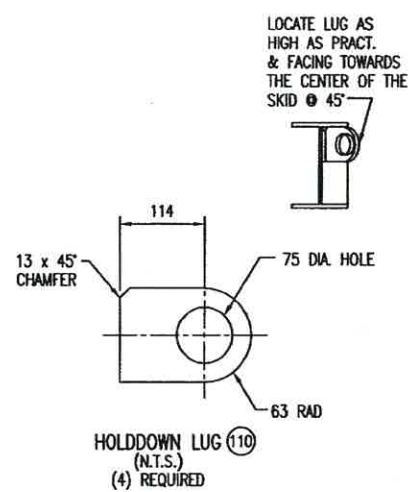
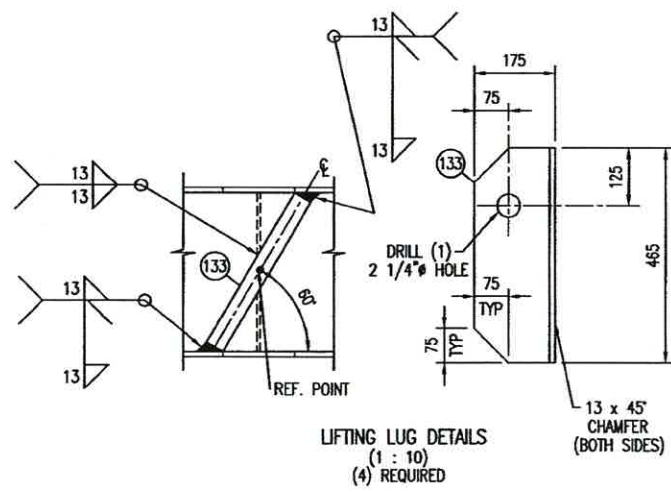
BILL OF MATERIAL				
ITEM	QTY	DESCRIPTION	LENGTH	MATERIAL
101	1	FLAT BAR: 3x3/8	409	G40.2144W
102	2	FLAT BAR: 3x3/8	430	G40.2144W
103	1	FLAT BAR: 3x3/8	473	G40.2144W
104	1	FLAT BAR: 3x3/8	570	G40.2144W
105	6	FLAT BAR: 3x3/8	1246	G40.2144W
106	1	H.S.S.: 2X2X1/4	997	G40.21350W
107	25	H.S.S.: 2X2X1/4	1428	G40.21350W
108	4	PLATE: 1 1/2 X 114	241	G40.2144W
109	1	SEAL PAN: 1/4 X 1035	1428	G40.2144W
110	4	PLATE: 3/4 X 125	177	G40.2144W
111	1	W12X26	1428	G40.2150W
112	3	W18X50	330	G40.2150W
113	2	W18X50	451	G40.2150W
114	1	W18X50	477	G40.2150W
115	2	W18X50	612	G40.2150W
116	1	W18X50	1035	G40.2150W
117	34	W18X50	1428	G40.2150W
118	2	W18X50	4301	G40.2150W
119	2	W18X50	13301	G40.2150W
120	2	W18X50	13500	G40.2150W
121	3	W6X15	402	G40.2150W
122	2	W8X31	723	G40.2150W
123	1	W8X31	360	G40.2150W
124	1	W8X31	1011	G40.2150W
125	1	W8X31	1113	G40.2150W
126	1	CONCRETE PAN: 1/4	AS REQ'D	CARBON STEEL
127	1	COUPLING: 1"-3000# NPT	-	SA-105
128	1	COUPLING: 3/4"-3000# NPT	-	SA-105
129	1	COUPLING: 1/2"-3000# NPT	-	SA-105
130	1	PLUG: 3/4" HEX HEAD NPT	-	SA-105
131	2	W8X31	1428	G40.2150W
132	2	W8X31	264	G40.2150W
133	4	PLATE: 2 X 175	465	G40.2144W



FABRICATION NOTE:
ALL SKID MEMBERS ARE CONSIDERED TO BE FLUSH WITH TOP OF STEEL, UNLESS OTHERWISE NOTED.

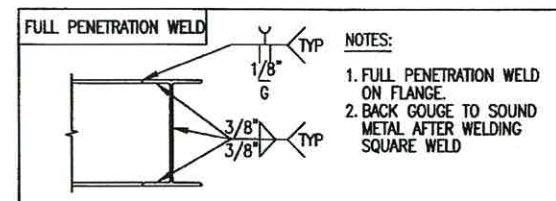


ISSUED TO ACROPOLIS STEEL



GENERAL NOTES:

- ALL TAIL DIMENSIONS FROM REFERENCE POINT.
- WEIGHT OF SKID STEEL BASE: 10200 KGS
WEIGHT OF CHECKER PLATE: 2575 KGS
WEIGHT OF CONCRETE: 1800 KGS
WEIGHT OF PIPE SUPPORTS: 1620 KGS
WEIGHT OF ENGINE BASE: 230 KGS
TOTAL WEIGHT: 16425 KGS
NOTE: MILL TOLERANCE AND SAFETY FACTORS NOT APPLIED
- COPE FLANGES WHERE REQUIRED.
- ALL WELDS TO BE 1/4" FILLETS ALL AROUND, U.N.O.
- ALL CUT LENGTHS ARE EXACT TOL +0.0"/-0.125" (+0 MM/-3 MM)
- SURFACE PREP: SANDBLAST TO SSPC-SP6.
PRIMER: ONE COAT OF RUSTEX 71029
PAINT: ONE COAT OF INDUSTRIAL ENAMEL 74 (TPS GRAY)
- FULL PENETRATION STRENGTH WELD IS REQ'D AT THESE LOCATIONS.
- PERIMETER AND ALL PANEL JOINTS OF CHECKER PLATE ARE TO BE SEAL WELDED. SKID MEMBERS TO UNDERSIDE OF CHECKER PLATE TO BE STITCH WELDED AT 2"(50 MM) OF FILLET ON 16"(406 MM) CENTERS EXCEPT WHERE NOTED.



REV.	DESCRIPTION	DATE	BY	APPR.
2	AS BUILT	DEC 30/05	BD	
1	ISSUED FOR CONSTRUCTION	SEP 15/05	GS	BM

TOROMONT TOROMONT PROCESS SYSTEMS		TITLE: STRUCTURAL STEEL
FOR: ALTAGAS 12 TO 15 MMSCFD GAS PLANT	DATE: SEPT 14, 2005	SCALE: 1 : 25
DRAWN BY: C. STANGNESS	DATE: SEPT 14, 2005	W.O. No: 11957301
CHKD. BY: B. MILLARD	SCALE: 1 : 25	CUST. PO No:
APPR. BY: B. MILLARD	W.O. No: 11957301	DWG. No: 11957-301
		SHEET No: 1
		REV: 2