

ITEM NO.	PART NO.	DESCRIPTION	NOTE OR QTY
1	IF-2-0043-W	27" Panel Insert - White	
2	ED-2-00xx-G	27" Panel Enclosure - Gray	
3	618050-0	Panel Escutcheon	
4	DE-2500	Programmable Compressor Monitoring & Control System	
5	800H-HR2D1P	"POWER - OFF/ON" Selector Switch	
6	800T-N1	Push Button Hole Cover	
7		Indicator Lamp Hole Cover	
8	800T-QS24A	Amber Indicator Lamp - LSL-DE-ETHANIZER TOWER	
9		Indicator Lamp Hole Cover	
10	800T-QS24A	Amber Indicator Lamp - LSL-GLYCOL REGENERATOR	
11	800T-QS24A	Amb. Ind. Lamp- LSL-GLYCOL REGENERATOR SURGE TANK	
12	120AA-00-0(AA)	3" Setpoint Diff. Press Gauge - COMPRESSOR OIL FILTER	
13	A25PEF-100	2-1/2" Setpoint Pressure Gauge - ENGINE OIL	
14	800H-FRXT6A4Y	Mushroom-Head Push Button Switch - EMERGENCY STOP	
15	691122-1	DE-2500 Power Supply Module	
16	691127-1	DE-2500 Terminal Module	
17	691056	DE Output Module 5-60VDC/2.0A	
18	691124	Annunciator CD Fuel Valve/Ign Module	
19	693115-1	DE Communications Cable	
20	693116-1	RS-232 Serial Download Cable	Note 4
21	M2TS-26-R/UL	Temp Transmitter - Type 'K' Thermocouple, 0-200°C	
22	691118-3	Magnetic Pickup - 3.0" Length	Note 4
23	593048-48	Magnetic Pickup Shielded Cable Assembly - 48" Length	Note 4
24	2718206	Multi-Level Analog Input Terminal Block	8
25	911735	250 Ohm Resistor Terminal Block	2
26	602223	CSA Tag	
27a	KHS-17D11-24	24Vdc/3amp 4PDT Relay > CR2-CR4, CR6, CR8	5
27b	240565130	24Vdc, 14 Blade Relay Socket	5
27c	240565210	6/24Vdc, Type 4V Diode Module w/Green LED	5
28	5603154	Terminal Block w/Relay 24Vdc/6A/SPDT > CR1,5,7,9,10	5
29	81.020.4100.0	Multifunction Timing Relay, 24vdc > TR1, TR2	2
30	GMC-4/115663.23	Fuse w/Holder	Note 3
31	UK5N	Terminal Block Assembly	
32	053896	1A Single Diode Terminal Block	

BILL OF MATERIAL AND NOTES

- PANEL IS CSA CERTIFIED FOR CLASS I, GROUP D, DIV.2 AREAS.
- TUBING IS TO BE 1/4" 0.035 WALL, WELDED 316 STAINLESS STEEL; FITTINGS ARE TO BE 1/4" 316 S.S. SWAGELOKS.
- POWER TO FUSE BLOCK MUST BE DISABLED BEFORE INSERTING A FUSE OR LIFTING FUSE BLOCK KNIFE SWITCH. (IT.30)
- SHIPPED LOOSE WITH PANEL.

NO.	DATE	BY	DESCRIPTION
1	10/28/05	DGP	As-built revisions (no changes on this page)

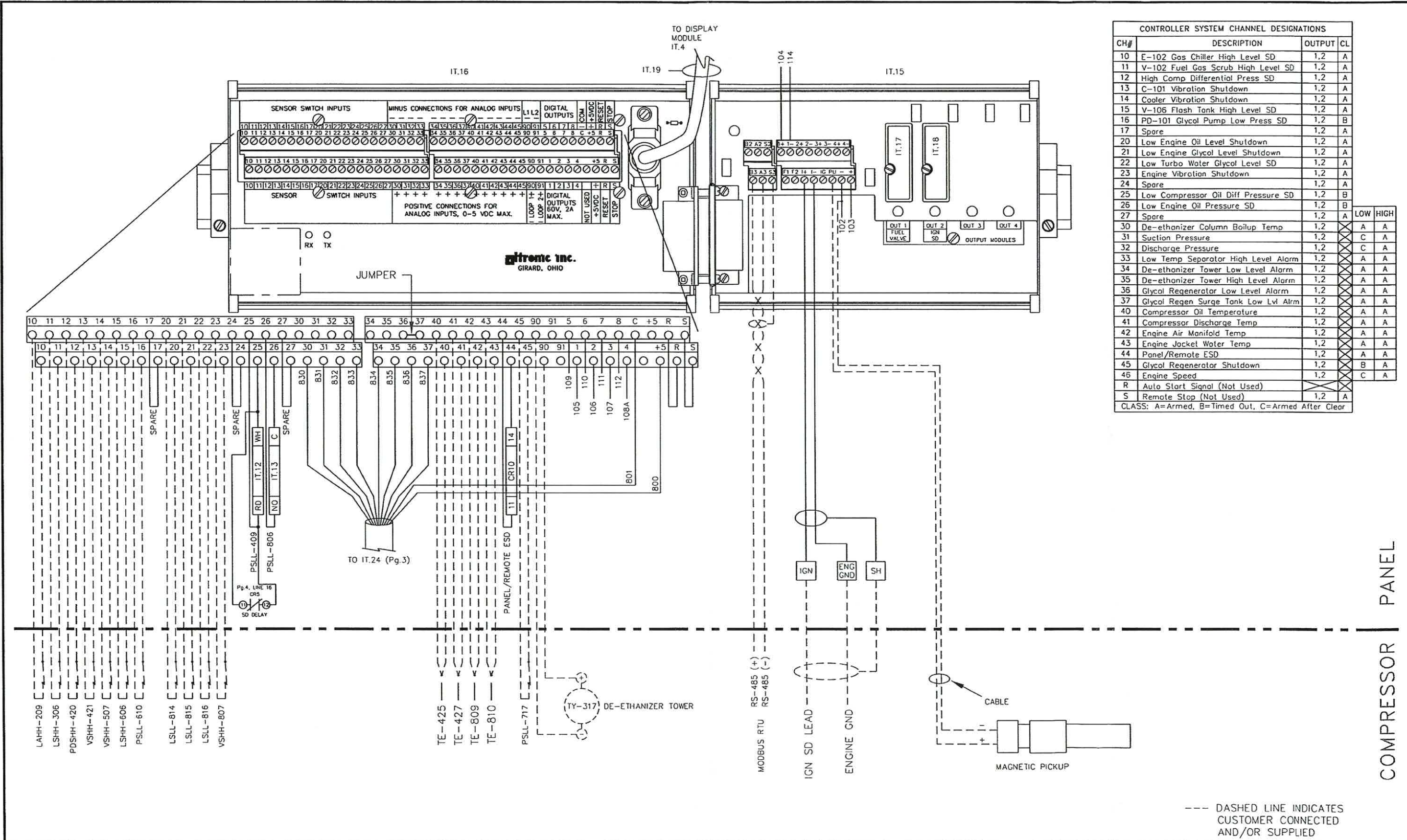
altronic controls

1410 North First St. Garland, Texas 75040 USA

PANEL LAYOUT & BILL OF MATERIALS
 TOROMONT PROCESS SYSTEMS
 JOBS: 11957 & 11958

DWG: 650-2700-005

DRAWN BY	DGP	PAGE	1 OF 4
CHECKED BY		DATE	09/28/05



CONTROLLER SYSTEM CHANNEL DESIGNATIONS			
CH#	DESCRIPTION	OUTPUT	CL
10	E-102 Gas Chiller High Level SD	1,2	A
11	V-102 Fuel Gas Scrub High Level SD	1,2	A
12	High Comp Differential Press SD	1,2	A
13	C-101 Vibration Shutdown	1,2	A
14	Cooler Vibration Shutdown	1,2	A
15	V-106 Flash Tank High Level SD	1,2	A
16	PD-101 Glycol Pump Low Press SD	1,2	B
17	Spore	1,2	A
20	Low Engine Oil Level Shutdown	1,2	A
21	Low Engine Glycol Level Shutdown	1,2	A
22	Low Turbo Water Glycol Level SD	1,2	A
23	Engine Vibration Shutdown	1,2	A
24	Spore	1,2	A
25	Low Compressor Oil Diff Pressure SD	1,2	B
26	Low Engine Oil Pressure SD	1,2	B
27	Spore	1,2	A
30	De-ethonizer Column Boilup Temp	1,2	A A
31	Suction Pressure	1,2	C A
32	Discharge Pressure	1,2	C A
33	Low Temp Separator High Level Alarm	1,2	A A
34	De-ethonizer Tower Low Level Alarm	1,2	A A
35	De-ethonizer Tower High Level Alarm	1,2	A A
36	Glycol Regenerator Low Level Alarm	1,2	A A
37	Glycol Regen Surge Tank Low Lvl Alrm	1,2	A A
40	Compressor Oil Temperature	1,2	A A
41	Compressor Discharge Temp	1,2	A A
42	Engine Air Manifold Temp	1,2	A A
43	Engine Jacket Water Temp	1,2	A A
44	Panel/Remote ESD	1,2	A A
45	Glycol Regenerator Shutdown	1,2	B A
46	Engine Speed	1,2	C A
R	Auto Start Signal (Not Used)		
S	Remote Stop (Not Used)	1,2	A

CLASS: A=Armed, B=Timed Out, C=Armed After Clear

NO.	DATE	BY	DESCRIPTION
1	10/28/05	DGP	As-built revisions (no changes on this page)

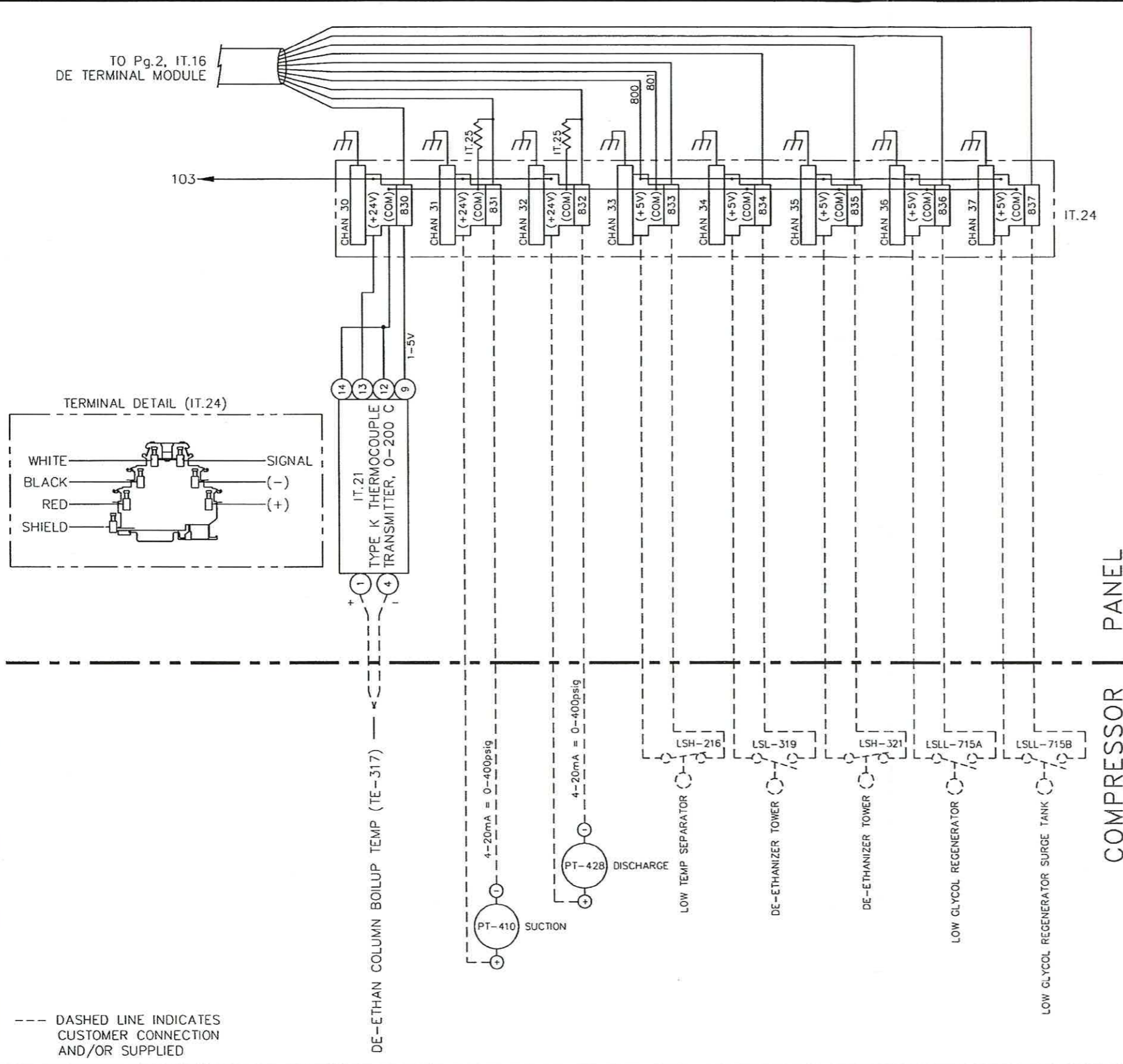
altronic controls

1410 North First St. Garland, Texas 75040 USA

DE-2500 WIRING DETAIL
TOROMONT PROCESS SYSTEMS
JOBS: 11957 & 11958

DWG: 650-2700-005

DRAWN BY	DGP	PAGE	2 OF 4
CHECKED BY		DATE	09/28/05

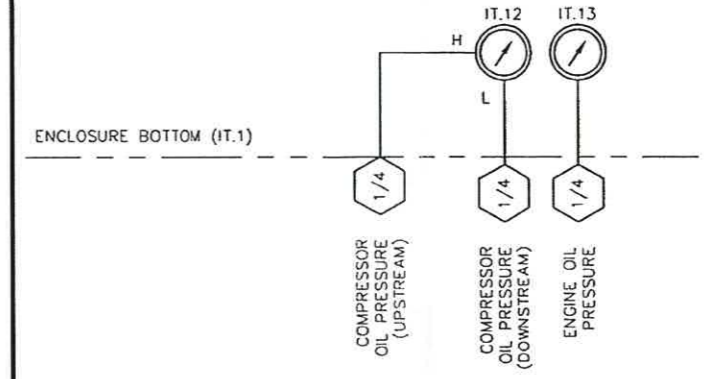


--- DASHED LINE INDICATES CUSTOMER CONNECTION AND/OR SUPPLIED

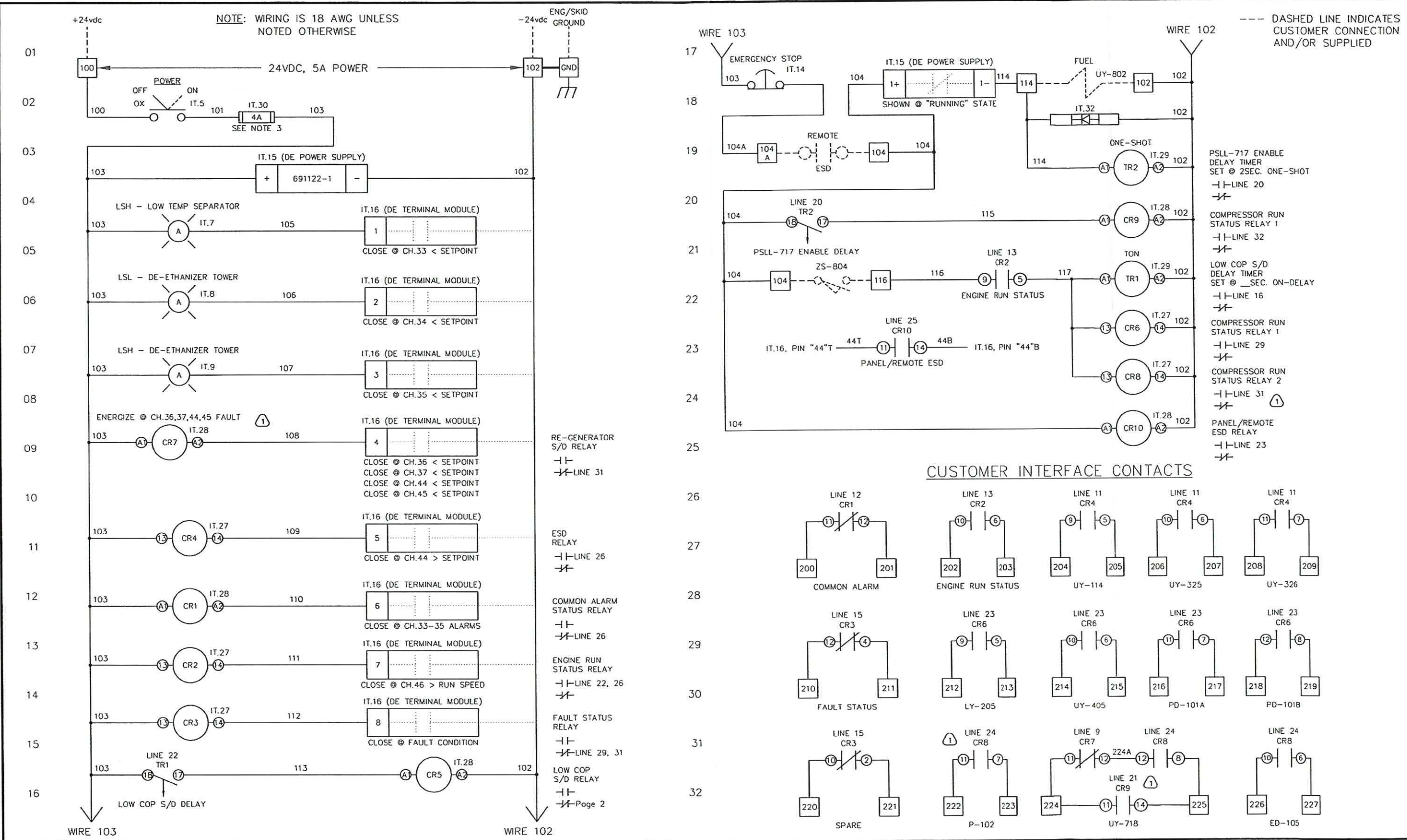
NO.	DATE	BY	DESCRIPTION
1	10/28/05	DGP	As-built revisions (no changes on this page)

altronic controls 
 1410 North First St. Garland, Texas 75040 USA

ANALOG INPUT WIRING / TUBING DETAILS
 TOROMONT PROCESS SYSTEMS
 JOBS: 11957 & 11958



COMPRESSOR PANEL



NO.	DATE	BY	DESCRIPTION
1	10/28/05	DGP	As-built revisions

altronic controls

1410 North First St. Garland, Texas 75040 USA

ELECTRICAL SCHEMATIC
 TOROMONT PROCESS SYSTEMS
 JOBS: 11957 & 11958

DWG: 650-2700-005

DRAWN BY	DGP	PAGE	4 OF 4
CHECKED BY		DATE	09/28/05