

MATCHLINE - N.O.+81.500
FOR CONTINUATION SEE DWG. TW00474C

Changed Made YES ✓
To This Drawing NO

Contractor Subst. *John D. Oct 28 07*
Site Inspector *G. CARTER Oct 28 07*
SK 04 12 07
H/R
Greg Cook 04 12 07

PIPE SUPPORTS	
DESCRIPTION	SYMBOL
PIPE SHOE	/
CLAMPED PIPE SHOE	∕
PIPE SHOE w/ GUIDE	∕
ANCHOR	X
FULL ANCHOR/CLAMPED PIPE SHOE	X
GUIDE	—
DIRECTIONAL ANCHOR	∩
CLAMPED SHOE w/ GUIDE	∕
CLAMP "C1"	▲
CLAMP "C2"	■

FINISHED GRADE EL.=100.000

- NOTE:
- CONTRACTOR TO PROVIDE 27mm DRAINS AND VENTS AS REQ'D. FOR HYDROTESTING.
 - STRAP & INSULATE 1/2" FUEL GAS SUPPLY TUBING TO DRAIN HEADER 7W-402-60-25HE
 - SITE ELEVATION DATUM = FINISHED GRADE = 100.000

V-100
INLET SEPARATOR
U/S SKID EL. = 100.283
FOR DETAILS SEE ENCANIA
DWG. TW00479C

INSTALLED 3 EXTERIOR J.B'S
HOODED, EAVES, ICE-RAKES OVER TOP

REFERENCE DRAWINGS	DWG. NO.	NO.	DATE	PROJECT DESCRIPTION	PROJ.	AFE	EPCM Co.	EPCM No.	APPO.
		1	04.03.29	EQUITY BOOSTER COMPRESSOR STATION			EXCELSIOR	1031	

CAUTION - READ BEFORE EXCAVATION
NOT WITHSTANDING INFORMATION PROVIDED BY ENCANIA IN ANY FORM, THE CONTRACTOR SHALL UTILIZE ELECTRIC LOCATING EQUIPMENT TO LOCATE UNDERGROUND PIPING AND ELECTRICAL WIRING ETC., PRIOR TO HAND EXCAVATION.
ONCE ALL UNDERGROUND FACILITIES HAVE BEEN HAND EXCAVATED THE CONTRACTOR SHALL RECHECK, WITH ELECTRONIC LOCATING EQUIPMENT, THE ENTIRE WORK AREA TO BE MECHANICALLY EXCAVATED TO ENSURE THAT NO FACILITIES HAVE BEEN MISSED.

ISSUE STAGE	DATE	BY	CHKD.	APPO.
Prelim.	04-06-08	LTO B		
Bid	04-08-14	LTO B		
Contr.	04.09.30	GRM		
As-built				

PERMIT TO PRACTICE
Excelsior Engineering Ltd.
Signature: *[Signature]*
Date: *04/24/07*
PERMIT NUMBER: *1031*

PROFESSIONAL ENGINEER
ALBERTA
[Stamp]

PERMIT STAMP AND PROFESSIONAL STAMP
AFFIXED ABOVE SHALL APPLY ONLY TO REV(S)

ENCANA.

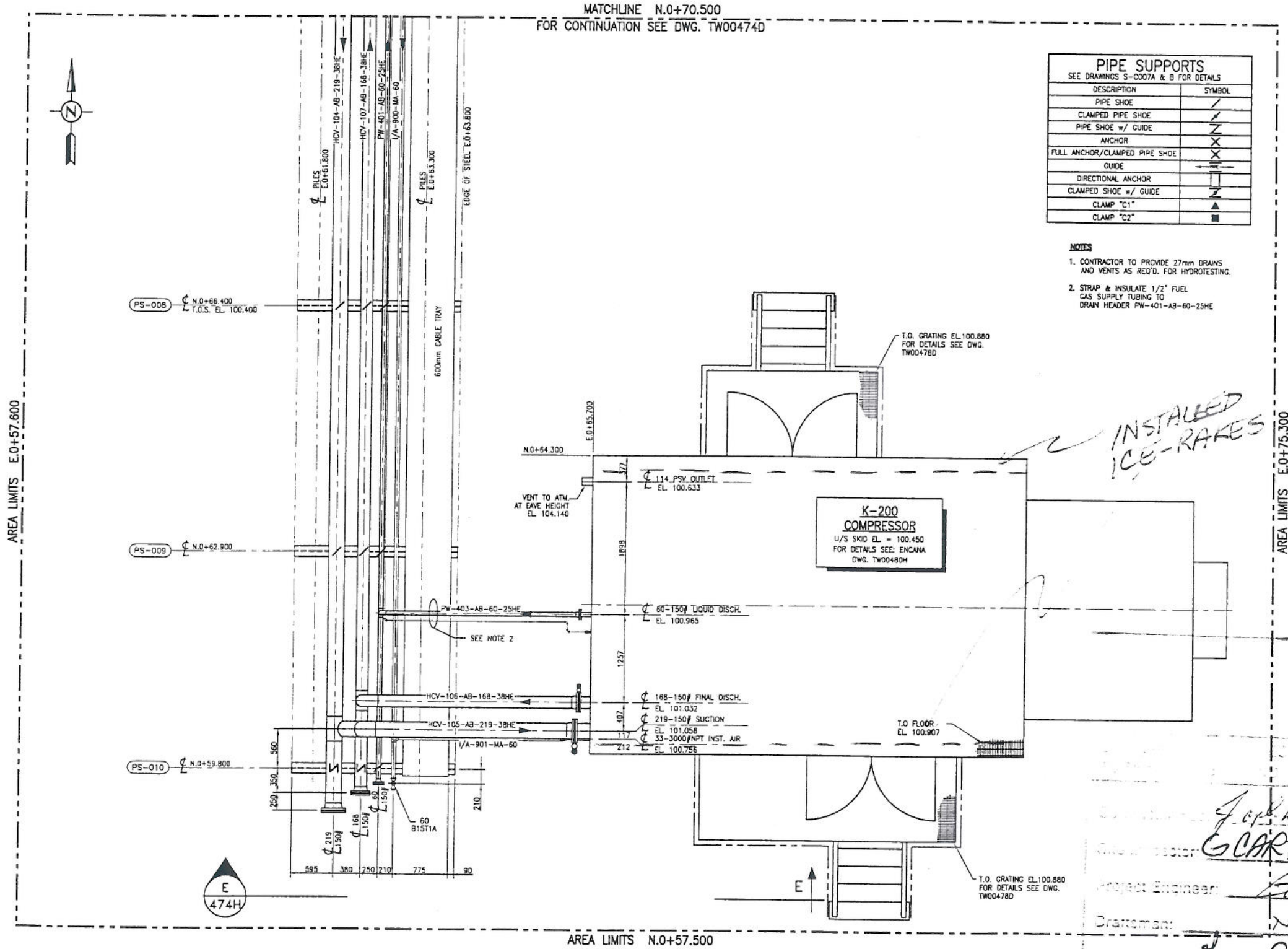
EQUITY BOOSTER COMP. 08-09
08-09-032-23 W4M

SCALE: 1:30 (A1 Size) | EPCW 1031

EXCELSIOR ENGINEERING LTD.
PIPING PLAN
V-100 INLET SEPARATOR AREA

TWINING | L | TW00474D

Date and Time Saved 2004-09-27 03:54 pm



PIPE SUPPORTS	
DESCRIPTION	SYMBOL
PIPE SHOE	—/—
CLAMPED PIPE SHOE	—/—
PIPE SHOE w/ GUIDE	—/—
ANCHOR	—X—
FULL ANCHOR/CLAMPED PIPE SHOE	—X—
GUIDE	— —
DIRECTIONAL ANCHOR	— —
CLAMPED SHOE w/ GUIDE	—/—
CLAMP "C1"	—▲—
CLAMP "C2"	—■—

- NOTES**
- CONTRACTOR TO PROVIDE 27mm DRAINS AND VENTS AS REQ'D. FOR HYDROTESTING.
 - STRAP & INSULATE 1/2" FUEL GAS SUPPLY TUBING TO DRAIN HEADER PW-401-AB-60-25HE

Approved: *J. Carter* OCT 28 04
 Site Director: **G. CARTER** OCT 28 04
 Project Engineer: *SK* 04 12 07
 Drafter: *NJR*
 Const. Order: *Greg Cook* 04 12 03

REFERENCE DRAWINGS	DWG. NO.	NO.	DATE	PROJECT DESCRIPTION	PRGJ.	AFE	EPCM Co.	EPCM No.	APPD.	ISSUE STAGE	DATE	BY	CHKD.	APPD.	PERMIT STAMP	ENGINEER'S STAMP
		1	04.03.09	EQUITY BOOSTER COMPRESSOR STATION			EXCELSIOR	1031		Permit	04-06-08	LTD B			PERMIT TO PRACTICE Excelsior Engineering Ltd. Signature: <i>[Signature]</i> Date: <i>04/12/07</i> PERMIT NUMBER: 1031 The Association of Professional Engineers, Geologists and Geophysicists of Alberta	
									Rev	04-08-14	LTD B					
										Constr.	04.09.30	GRV				
										As-built						

CAUTION - READ BEFORE EXCAVATION
 NOT WITHSTANDING INFORMATION PROVIDED BY ENCANNA IN ANY FORM, THE CONTRACTOR SHALL UTILIZE ELECTRIC LOCATING EQUIPMENT TO LOCATE UNDERGROUND PIPING AND ELECTRICAL WIRING ETC., PRIOR TO HAND EXCAVATION. ONCE ALL UNDERGROUND FACILITIES HAVE BEEN HAND EXCAVATED THE CONTRACTOR SHALL RECHECK, WITH ELECTRONIC LOCATING EQUIPMENT, THE ENTIRE WORK AREA TO BE MECHANICALLY EXCAVATED TO ENSURE THAT NO FACILITIES HAVE BEEN MISSED.

ENCANA

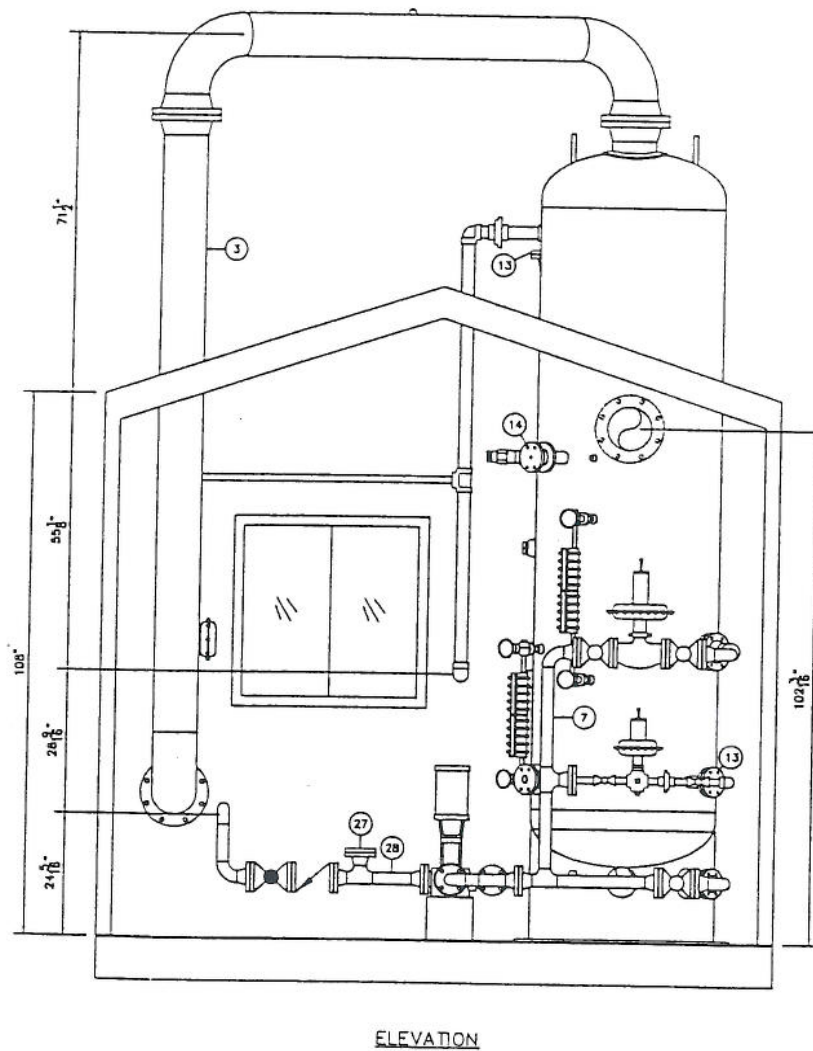
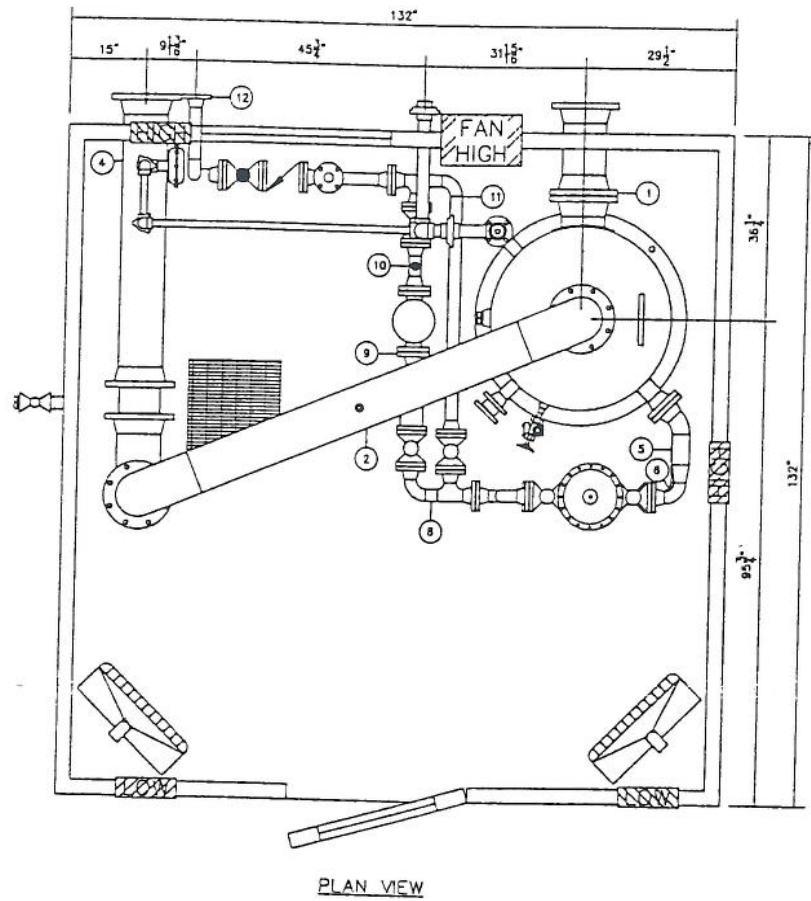
EQUITY BOOSTER COMP. 08-09
 08-09-032-23 W4M

SCALE: 1:30 (A1 Size) | PCD: 1031

EXCELSIOR ENGINEERING LTD.

PIPING PLAN
 K-200 COMPRESSOR AREA

TWINING | L | TW00474E



BILL OF MATERIAL

ITEM	QTY.	DESCRIPTION
1	1	SPOOL NO. 1 - SEE DRAWING 31357-SPOOLS
2	1	SPOOL NO. 2 - SEE DRAWING 31357-SPOOLS
3	1	SPOOL NO. 3 - SEE DRAWING 31357-SPOOLS
4	1	SPOOL NO. 4 - SEE DRAWING 31357-SPOOLS
5	1	SPOOL NO. 5 - SEE DRAWING 31357-SPOOLS
6	1	SPOOL NO. 6 - SEE DRAWING 31357-SPOOLS
7	1	SPOOL NO. 7 - SEE DRAWING 31357-SPOOLS
8	1	SPOOL NO. 8 - SEE DRAWING 31357-SPOOLS
9	1	SPOOL NO. 9 - SEE DRAWING 31357-SPOOLS
10	1	SPOOL NO. 10 - SEE DRAWING 31357-SPOOLS
11	1	SPOOL NO. 11 - SEE DRAWING 31357-SPOOLS
12	1	SPOOL NO. 12 - SEE DRAWING 31357-SPOOLS
13	2	RFHB, 2" 150 ANSI TAPPED 1", SA105N
14	1	RFHB, 2" 150 ANSI TAPPED 1/2", SA105N
15	5	304 SPIRALWIND GSKT, 8" 150 ANSI, NON-ASB
16	1	304 SPIRALWIND GSKT, 3" 150 ANSI, NON-ASB
17	2	304 SPIRALWIND GSKT, 2" 3-600 ANSI, NON-ASB
18	25	304 SPIRALWIND GSKT, 2" 150 ANSI, NON-ASB
19	24	B7 STUD, 3/4" X 4", SA193-B7
20	8	B7 STUD, 3/4" X 9 1/4", SA193-B7
21	4	B7 STUD, 5/8" X 3 1/2", SA193-B7
22	16	B7 STUD, 5/8" X 1 1/4", SA193-B7
23	88	B7 STUD, 5/8" X 3", SA193-B7
24	8	B7 STUD, 5/8" X 4 3/4", SA193-B7
25	54	ZH HEX NUT, 3/4", SA194-ZH
26	232	ZH HEX NUT, 5/8", SA194-ZH
27	1	RFHB, 2" 150 ANSI TAPPED 1 1/2", SA105N
28	1	SPOOL NO. 13 - SEE DRAWING 31357-SPOOLS

NOTES:
 ALL STUD LENGTHS GIVEN ARE THREAD TO THREAD
 SHIPPING DIMENSIONS 11'-0" X 12'-0" X 16'-2" HIGH
 PACKAGE WEIGHT APPROXIMATELY 20,000 POUNDS
 ALL THREADED PIPING TO BE SCH. 80
 ALL THREADED FITTINGS TO BE 2000 PSI

TW00479C

RECEIVED

AUG 17 2004
 3:07 PM
 TL 1031

REV. No.	MM	DD	YY	DESCRIPTION	BY	CHK'D	APP'D
2	07	23	04	CHANGED SPOOLS 2, 4 & 12	LW	SD	
1	07	06	04	ISSUED FOR CONSTRUCTION	LW	SD	SD
0	06	14	04	ISSUED FOR APPROVAL	LW	SD	SD

CLIENT
 ENCANA OIL & GAS PARTNERSHIP

BROMLEY
 MECHANICAL SERVICES (1985) LTD.
 Box 404, 925-23rd Street S.W. Medicine Hat
 Alberta, Canada, T1A 7G2 (403) 526-3142

PROJECT
 (1) - 36"OD X 10'-0" X 275 PSI
 EQUITY SEPARATOR PACKAGE

TITLE: LAYOUT

Wd No.: 31357	REV. No.: 2	DATE: 07/23/04
DRAWN BY: L. WAECHTER	SCALE: 1/2" = 1'-0"	CAD No.: 31357-LAYOUT
DATE: 06/14/04		

JT DATE: 02/25/04

DO NOT SCALE DRAWING

This drawing is the exclusive property of EAGLE PUMP & COMPRESSOR LTD. It's contents are confidential, must not be made public or copied without authorization and is subject to return on demand. All rights of design are reserved

BILL OF MATERIAL

Table with columns: ITEM, TAG NO., QTY, PART NO., DESCRIPTION. Lists various components like pressure gauges, valves, and switches.

NOZZLE SCHEDULE

Table with columns: TAG, SIZE, RATING, TYPE, SERVICE. Lists nozzle specifications for discharge and liquid drain.

PAINT SPEC

Table with columns: SURFACE PREP, SSPEC-SP3, PRIMER, TOP COAT(S). Lists paint specifications for process piping, utility piping, vessels, and structural.

PIPING SPEC

Table with columns: SPEC, A2A, 1 1/2" & SMALLER, 2" & LARGER, etc. Lists piping specifications for pipe and fittings.

Table with columns: INSTRUMENTATION, PACKAGE WEIGHT, CUSTOMER, TITLE, P.O. NO., etc. Lists instrumentation details, package weight, and customer information.

K-101A/B SINGLE STAGE AIR COMPRESSOR

MAKE: EAGLE MODEL: PTO3A SPEED: 740 RPM CAPACITY: 8-10CFM @100 PSI OPERATING PRESS.: 100 PSI

KM-101A/B COMPRESSOR DRIVE MOTOR

MAKE: WESTINGHOUSE HORSEPOWER: 3 RPM: 1800 ENCLOSURE: TEFC FRAME SIZE: 182T PHASE/HERTZ/VOLTS: 3/60/460

V-101 WET AIR RECEIVER

DESCRIPTION: HORIZONTAL AIR RECEIVER SIZE: 20"x63" CAPACITY: 80 GALLON DESIGN PRESS.: 200 PSI DESIGN TEMP.: 450°F

D-102 HEATLESS AIR DRYER

MAKE: EAGLE MODEL: EADR-20 CAPACITY: 20SCFM@100°F@100 PSI

F-101 AIR PRE-FILTER

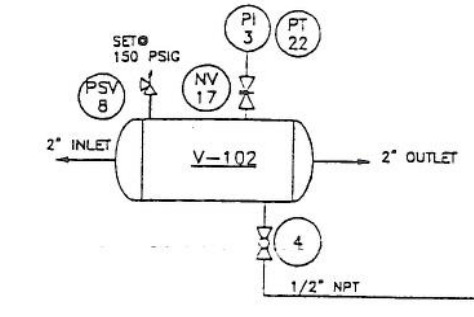
MAKE: DELTECH MODEL: D-0025-CC CAPACITY: 20 CFM RATING: 0.5 ppmw

F-102 AIR AFTER FILTER

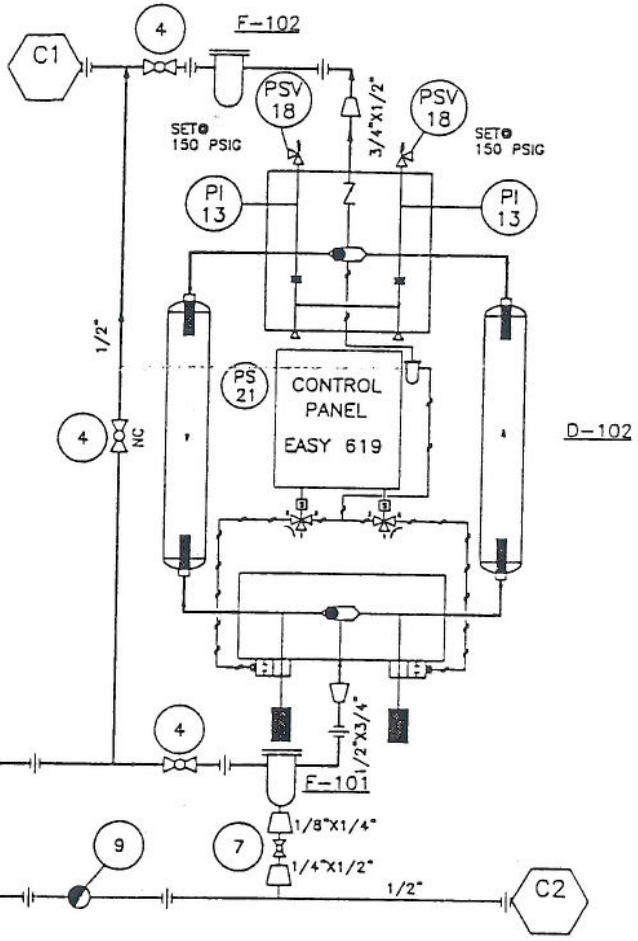
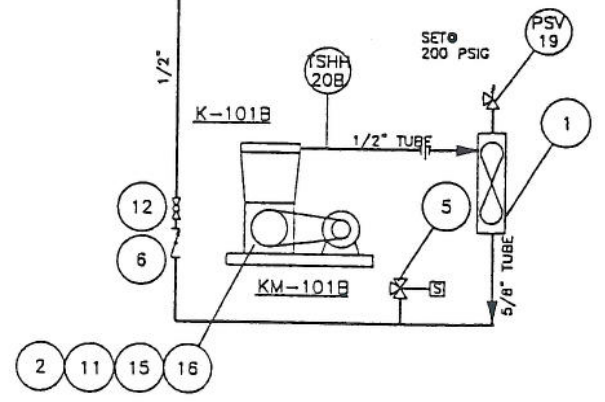
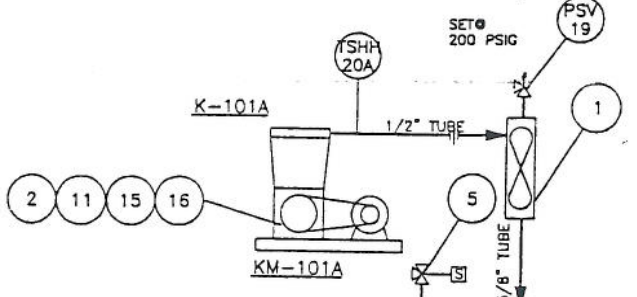
MAKE: DELTECH MODEL: D-0050-PF CAPACITY: 50 CFM RATING: 1 MICRON

V-102 DRY AIR RECEIVER

DESCRIPTION: HORIZONTAL AIR RECEIVER SIZE: 30"x84" CAPACITY: 240 GALLON DESIGN PRESS.: 200 PSI DESIGN TEMP.: 450°F



V-102 & PT-22 SHIPPED LOOSE



APPROVAL PRINT PLEASE RETURN ONE COPY WITH OR WITHOUT COMMENTS. SIGN _____ DATE _____ PURCHASING OF COMPONENTS & FABRICATION WILL NOT BEGIN UNTIL A SIGNED COPY HAS BEEN RECEIVED BY EAGLE PUMP & COMPRESSOR LTD.

- NOTES: 1) 240 GALLON SHIPPED LOOSE 2) PT-22 SHIPPED LOOSE

Table with columns: DWG. No., REFERENCE DRAWINGS. Lists related drawing numbers.

Table with columns: NO., REVISION, REV'D, M D Y, CHKD., DATE. Lists revision history.

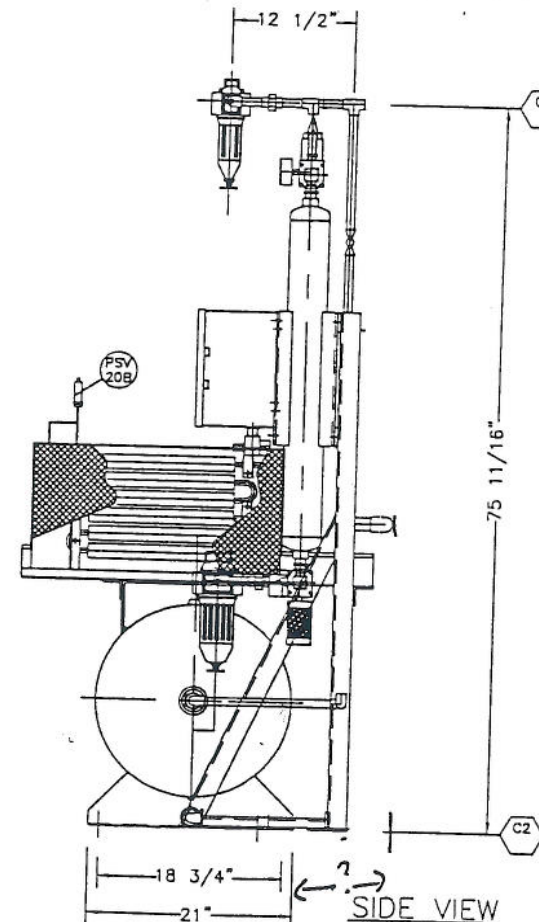
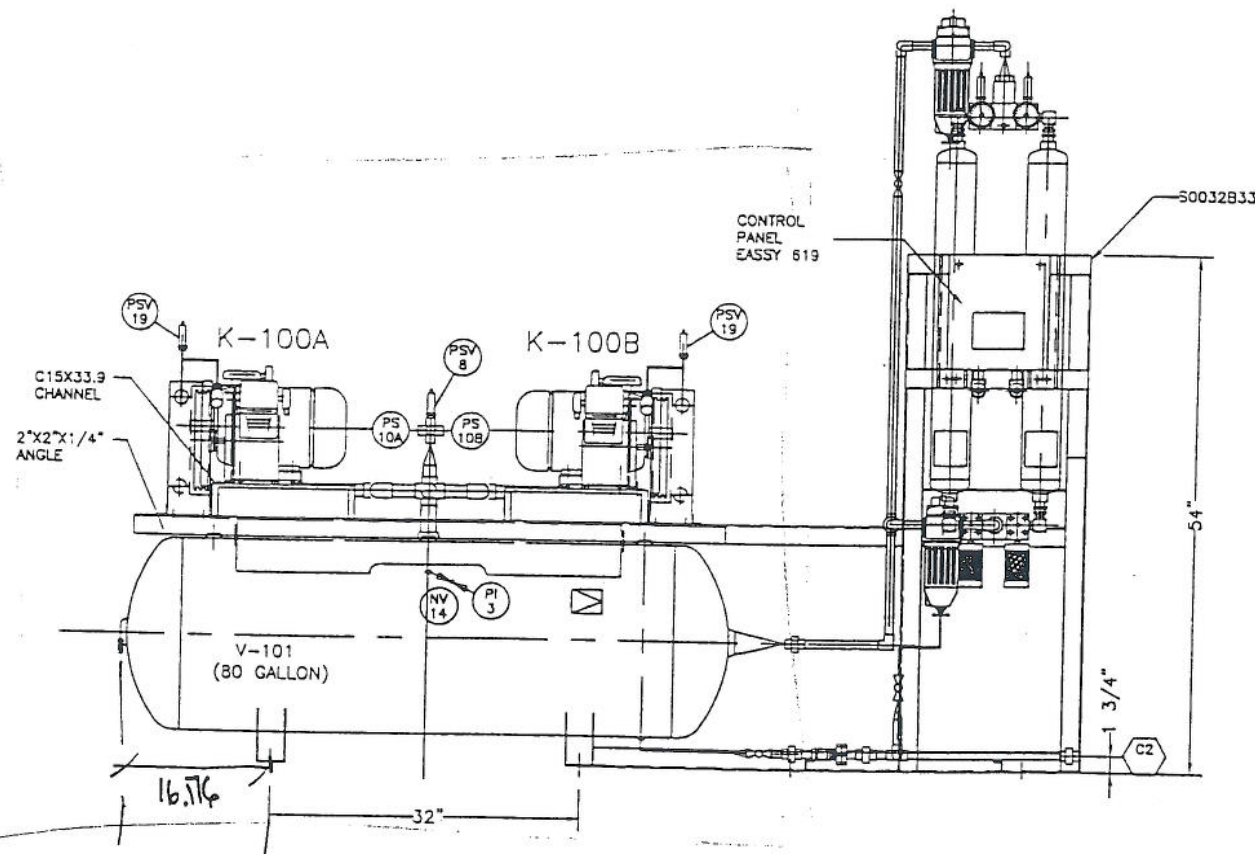
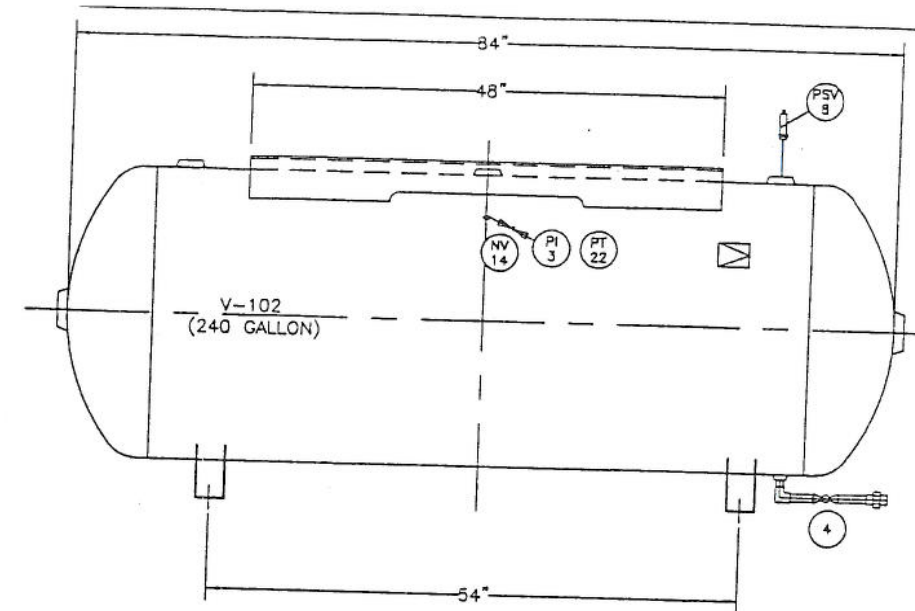
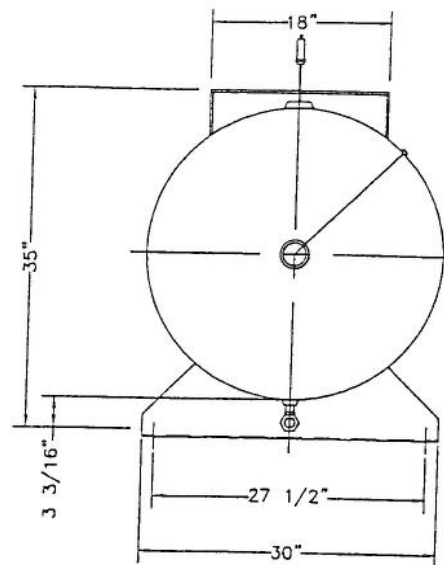
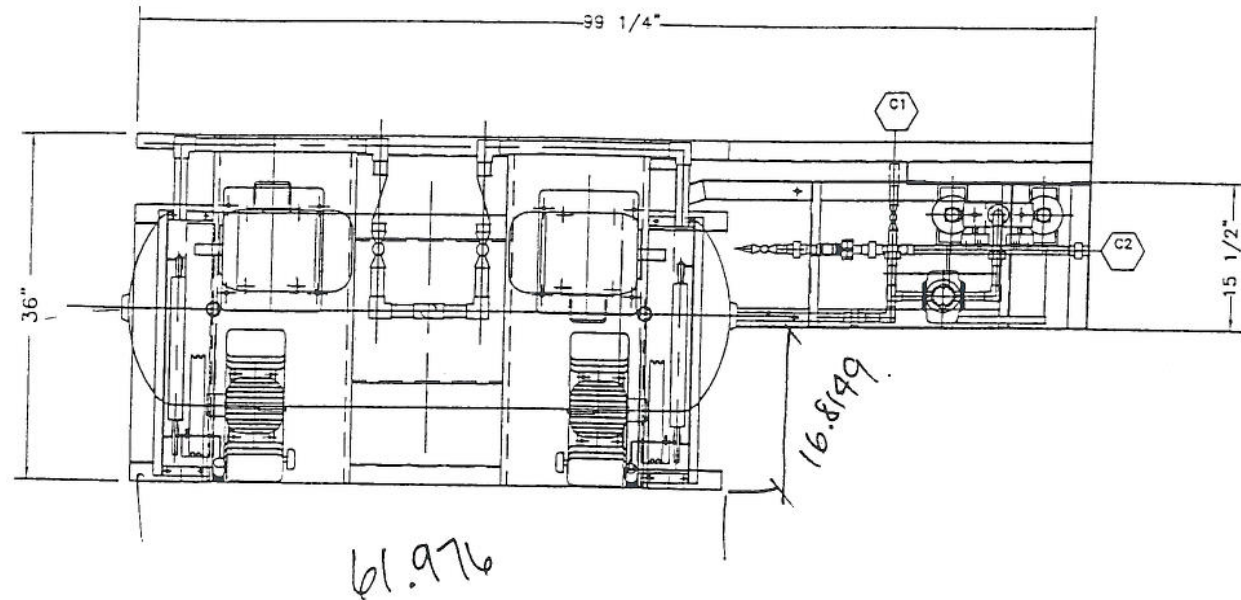
EAGLE PUMP & COMPRESSOR LTD. logo and contact information.

Vertical text on the left edge: 38 57 AM, Printed By: Genpak

RECEIVED AUG 20 2004 3:52 pm #1031

DO NOT SCALE DRAWING

PLOT DATE: 08/19/04



RECEIVED

AUG 20 2004
3:52pm
#1031

APPROVAL PRINT

PLEASE RETURN ONE COPY WITH OR WITHOUT COMMENTS.
SIGN _____ DATE _____

PURCHASING OF COMPONENTS & FABRICATION WILL NOT BEGIN UNTIL A SIGNED COPY HAS BEEN RECEIVED BY EAGLE PUMP & COMPRESSOR LTD.

NOTES:

- 1) 240 GALLON SHIPPED LOOSE
- 2) PT-22 SHIPPED LOOSE

NO.	REVISION	REV'D	M D Y	CHKD.	M D Y
		REV. DATE		CHKD. DATE	
A	ISSUED FOR APPROVAL	VASILE	08 19 04	LB	08 19 04

CUSTOMER **ENCANA**
TITLE
GENERAL LAYOUT
EAGLE MODEL PT03A
DUPLEX INSTRUMENT AIR COMPRESSOR PACKAGE

7025 - 5th Street S.E.
CALGARY, ALBERTA
T2H 2G2
Ph: (403)253-0100
Fx: (403)253-8884
E-mail: teceagle@eagle-oc.com

EAGLE
PUMP & COMPRESSOR LTD.

P.O. NO.		RPO.1.031.10	
DRWN. BY	DATE	M D Y	
VASILE		08 19 04	
CKD. BY	DATE	M D Y	
LB		08 19 04	
APV'D BY	DATE	M D Y	
SCALE	REVISION		
1 1/2' = 1'	A		
DWG. No.	A29651B20		

CAD FILE: Eagle.vr (G)/AUTOCAU/COMPRESION .IPRO
04 8 30 30 AM, Plotted by: Gmiam

04:12:41:40 PM, Digitized By: GenAM

Encana Equity Booster \$1n. 08 08VENORPRF LSKND2165PLN2101 08 03 03

DRAFTING PROJECTS

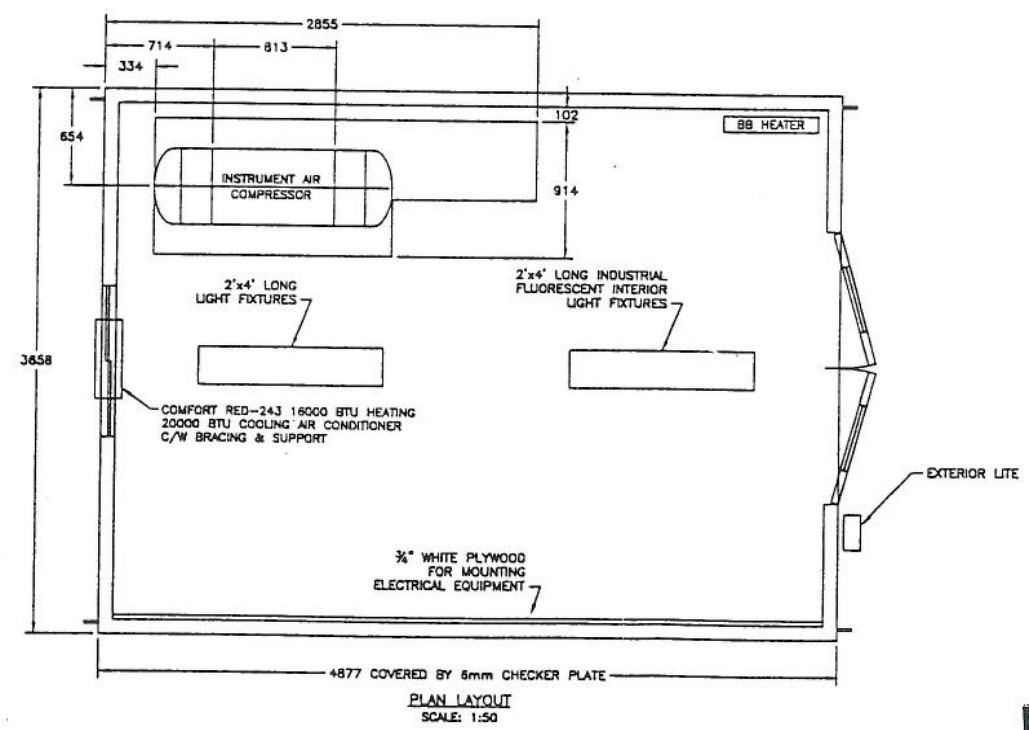
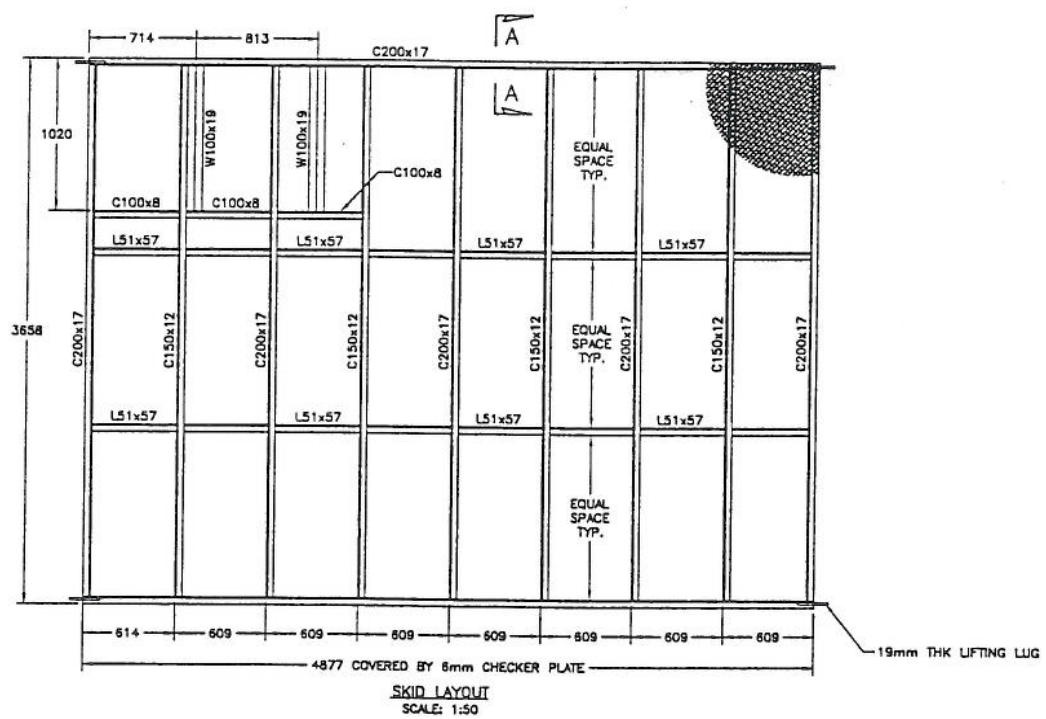
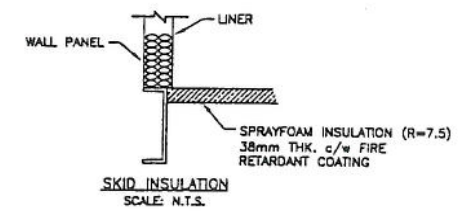
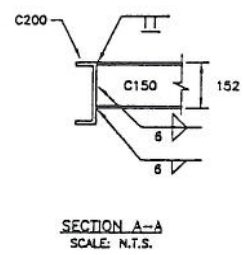
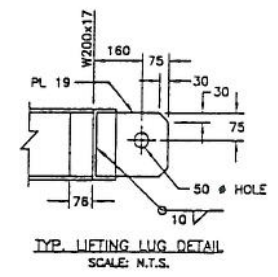
BUILDING NOTES:
 BUILDING: 3658 WIDE x 4877 LONG x 2743 LOW EAVES, GABLE TYPE.
 22 GA. PREPAINTED TAUPE QC315 c/w METRO BROWN QC228 TRIM ROOF AND WALL PANEL.
 24 GA. WHITE ALUM. ROOF AND WALL LINER.
 R-12 FIBERGLASS INSULATE, 5 MIL POLY VAPOR.
 2-1828x2134 DOOR c/w WEATHER STRIPPING, THRESHOLD, CHECK CHAIN, LOCK
 1-PANIC HARDWARE, 1-1/4 W.G. GLAZING
 1-40"x40" WINDOW c/w SCREEN
 1-12"x18" SLIDING LOUVER

ELECTRICAL NOTES:
 FREE ISSUED BY EXCELSIOR

INSTRUMENT AIR COMPRESSOR PACKAGE
 FREE ISSUED AND INSTALLED BY EXCELSIOR

STRUCTURAL STEEL SKID NOTES:

1. STRUCTURAL STEEL DESIGN, FABRICATION AND MATERIAL SHALL BE IN ACCORDANCE WITH PANCANADIAN PETROLEUM LIMITED SPECIFICATION "0-2", "STRUCTURAL STEEL".
2. SURFACE PREPARATION AND PAINTING OF STRUCTURAL STEEL SHALL BE IN ACCORDANCE WITH PANCANADIAN PETROLEUM LIMITED SPECIFICATION "PAINTING", (SYSTEM TYPE NO. 1 FOR EXPOSED STRUCTURAL STEEL) COLOR: TAUPE
3. ALL SHARP CORNERS AND BURRS SHALL BE REMOVED PRIOR TO PAINTING.
4. CHECKED PLATE TO BE STITCH WELDED TO ALL SKID MEMBERS, PERIMETER BEAMS TO BE CONTINUOUSLY SEAL WELDED.
5. ALL STRUCTURAL STEEL SHALL CONFIRM TO APPLICABLE CSA STANDARDS, AND IN PARTICULAR:
 (a) CSA CAN3-S18.1-M;
 (b) CSC HANDBOOK OF STEEL CONSTRUCTION;
 (c) CSA 440.21-M STRUCTURAL QUALITY STEEL
6. ALL STRUCTURAL STEEL SHALL BE GRADE 300W EXCEPT HOLLOW STRUCTURAL STEEL WHICH SHALL BE GRADE 350W CLASS C.
7. ALL CONNECTIONS SHALL BE SHOP WELDED U.N.O. ON THE DRAWINGS.
8. ALL WELDED CONNECTIONS SHALL BE MIN. 6mm FILLET WELD U.N.O. ON THE DRAWINGS.
9. ALL WELDING SHALL CONFORM TO CSA W58-M, WELDERS AND WELDING OPERATORS SHALL BE CERTIFIED TO THE CANADIAN WELDING BUREAU, IN ACCORDANCE WITH W47.1-M.
10. WELDING ELECTRODES SHALL BE E480XX, CONFORMING TO CSA W48.1-M.
11. WHERE REQUIRED BOLTS SHALL CONFORM TO ASTM A-325 FOR ALL BOLTS 20mm DIA. AND LARGER; ASTM A-307 FOR ALL BOLTS LESS THAN 20mm DIAMETER.
12. VENDOR TO PROVIDE ANY ADDITIONAL EQUIPMENT/PIPING SUPPORTS AS REQ'D. ALL EQUIPMENT/PIPING TO BE SUPPORTED FROM STRUCTURAL STEEL.



RECEIVED
 SEP 03 2004
 11:31 AM
 #1031

ISSUING NUMBER	REFERENCE DRAWINGS
0	04/09/02 ISSUED FOR CONSTRUCTION
A	04/07/14 ISSUED FOR APPROVAL
REV.	DATE DESCRIPTION BY C/S APP.



ENCANA c/o EXCELSIOR ENG. LTD.			
PLAN LAYOUT 4877 mm x 3658 mm			
SCALE: METRIC	DATE: 04/07/01	DRAWN BY: M.J.R.	CHECKED: W.C.
JOB No. 2165	PROJECT No.	DRAWING No. 2165PLN1	REV. 0