

NOTES

- PROCESS PIPING DESIGNED IN ACCORDANCE WITH ASME B31.3 (LATEST EDITION AND ADDENDA)
- ALL STUDS TO BE 87% WITH 29% NUTS.
- 800# AND LESS GASKETS TO BE FMS/AC
- 900# AND GREATER GASKETS TO BE FMS/AC
- NUTS REQUIRED ON PIPE ONLY. (NEXT 2'S ON WELDED FITTINGS TO BE REDUCED)
- NIPPLES DIRECTLY CONNECTED TO THE VESSEL AND PROCESS PIPING SHALL BE MINIMUM SCH.160 UNLESS OTHERWISE SPECIFIED.
- ALL THREADED FITTINGS TO BE 3000#.

VESSELS:

CORROSION ALLOWANCE: ● 1/16" ○ 1/8"
 RADIOGRAPHY: ● RT2/RT3 ○ RT1
 STRESS RELIEVE: ● NO ○ YES
 MP: ● NO ○ YES

COOLER SECTIONS:

CORROSION ALLOWANCE: ● 1/16" ○ 1/8"
 RADIOGRAPHY: ● NONE ○ 100%
 STRESS RELIEVE: ● NO ○ YES
 MP: ● NO ○ YES

PROCESS PIPING:

CORROSION ALLOWANCE: ● 1/16" ○ 1/8"
 RADIOGRAPHY: ● 10% ○ 100%
 STRESS RELIEVE: ● NO ○ YES
 MP: ● NO ○ YES

V-7000
 SUCTION FILTER/SEPARATOR
 30" OD x 60" S/S
 285 PSIG MAWP @ 100°F
 S/N: -----
 CRN: -----

DRIVER
 MODEL: CAT G3408TA
 GAS ENGINE
 OPERATING SPEED: 1000-1800 RPM
 RATING: 325 HP @ 1800 RPM
 S/N: -----

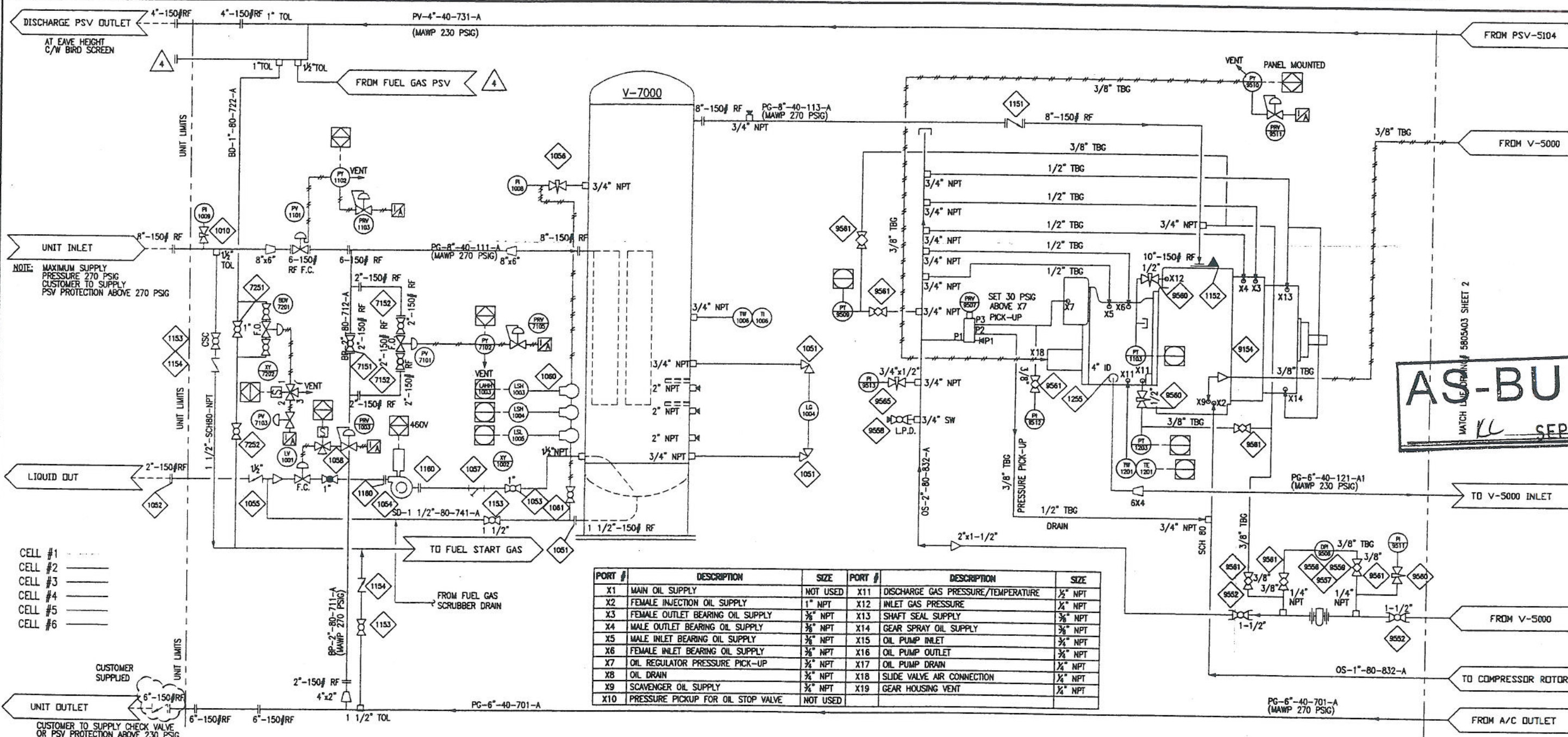
COMPRESSOR
 MODEL: SULLAIR PDR25X-GD
 ROTARY COMPRESSOR
 GEAR RATIO: 1.20
 VOLUME RATIO: 3.60
 S/N: -----

TERMS:

CS PLATED W/ CS PLATED NYLON FITTING
 ALL TUBING TO BE 1/4" EXCEPT FOR THE FOLLOWING (REFER TO MATERIAL LIST)
 ALL TUBING TO BE 0.035" WT (MIN) UNLESS OTHERWISE NOTED ON DRAWING

COMPRESSOR TUBING
 - INSTRUMENTATION VENTING 3/8"
 - DRAINS 1/2"
 - LUBRICATION 1/4"
 - OIL COOLER 1/2"
 - OIL PRESSURE 3/8"
 - VENTS AND DRAINS 1/2"

ENGINE TUBING
 - OIL PRESSURE 3/8"
 - FUEL VALVE AND RELIEF 1/2"



NOTE: MAXIMUM SUPPLY PRESSURE 270 PSIG CUSTOMER TO SUPPLY PSV PROTECTION ABOVE 270 PSIG

- CELL #1
- CELL #2
- CELL #3
- CELL #4
- CELL #5
- CELL #6

PORT #	DESCRIPTION	SIZE	PORT #	DESCRIPTION	SIZE
X1	MAIN OIL SUPPLY	NOT USED	X11	DISCHARGE GAS PRESSURE/TEMPERATURE	1/2" NPT
X2	FEMALE INJECTION OIL SUPPLY	1" NPT	X12	INLET GAS PRESSURE	1/4" NPT
X3	FEMALE OUTLET BEARING OIL SUPPLY	3/8" NPT	X13	SHAFT SEAL SUPPLY	3/8" NPT
X4	MALE OUTLET BEARING OIL SUPPLY	3/8" NPT	X14	GEAR SPRAY OIL SUPPLY	3/8" NPT
X5	MALE INLET BEARING OIL SUPPLY	3/8" NPT	X15	OIL PUMP INLET	3/4" NPT
X6	FEMALE INLET BEARING OIL SUPPLY	3/8" NPT	X16	OIL PUMP OUTLET	3/4" NPT
X7	OIL REGULATOR PRESSURE PICK-UP	3/4" NPT	X17	OIL PUMP DRAIN	1/2" NPT
X8	OIL DRAIN	3/4" NPT	X18	SLIDE VALVE AIR CONNECTION	1/4" NPT
X9	SCAVENGER OIL SUPPLY	3/4" NPT	X19	GEAR HOUSING VENT	1/4" NPT
X10	PRESSURE PICKUP FOR OIL STOP VALVE	NOT USED			

AS-BUILT
 MATCH LINE DRAWING # 5805A03 SHEET 2
 SEP 17 2004

LINE DESIGNATION
 XX-XX-XX-XXX-X- LINE CLASS
 LINE NUMBER
 LINE SCHEDULE
 LINE SIZE
 LINE SERVICE

LEGEND

- LOCAL MOUNTED
- ⊗ HMI (HUMAN MACHINE INTERFACE)
- ⊖ LOCAL PANEL MOUNTED
- ⊖ PANEL MOUNTED
- ⊖ PANEL INPUT (ELECTRICAL)

DESCRIPTION	DRAWING	REV	REV	DESCRIPTION	DATE	DWN BY	CHK BY	APR BY
4	AS BUILT		09.17.04	VCM				
3	GENERAL REVISIONS, IFC		06.21.04	VCM				
2	GENERAL REVISIONS, IFC		06.07.04	VCM				
1	ISSUED FOR CONSTRUCTION		05.31.04	CJM				
0	ISSUED FOR APPROVAL		05.13.04	VCM				
A	ISSUED FOR INFORMATION ONLY		05.05.04	VCM				

CUSTOMER
ENCANA EQUITY BOOSTER

LOCATION: PORTABLE AB

Collicutt Energy Services Ltd.
 CORPORATE OFFICE
 7550 EDGAR INDUSTRIAL DRIVE
 REED DEER, AB CANADA T4P 3R2
 PHONE (403) 358-3200
 FAX (403) 358-3210

PROCESS P&ID

STAGES: 1 SERVICE: SWEET
 COMPRESSOR: PDR25X-GD ENGINE: CAT G3408TA
 DISTANCE PIECE: N/A COUPLING: ARCUSAFLEX
 COOLER: CSCI L84 PANEL: CITI SUMMIT

6503A04 REV 4 SH 1/2

THIS DRAWING IS THE PROPERTY OF COLLICUTT ENERGY SERVICES LTD. AND IS NOT TO BE USED FOR ANY PURPOSE OTHER THAN FOR WHICH IT WAS ISSUED. 1431 JBB/PL/Process/5805A03-1.dwg Sep 17, 2004 - 10:05am

NOTES
 - PROCESS PIPING DESIGNED IN ACCORDANCE WITH ASME B31.3 (LATEST EDITION AND ADDENDA)
 - ALL STUDS TO BE 67M, WITH 25M NUTS.
 - 800# AND LESS GASKETS TO BE RUC304/VC
 - 900# AND GREATER GASKETS TO BE RUC304/VC
 - NUTS REQUIRED ON PIPE ONLY. (HEAT #S ON WELDED FITTINGS TO BE RECORDED)
 - HIFLUS DIRECTLY CONNECTED TO THE VESSEL AND PROCESS PIPING SHALL BE MINIMUM SCH.160 UNLESS OTHERWISE SPECIFIED.
 - ALL THREADED FITTINGS TO BE 3000#.

VESSELS:
 CORROSION ALLOWANCE: ● 1/16" ○ 1/8"
 RADIOGRAPHY: ● RT2/RT3 ○ RT1
 STRESS RELIEVE: ● NO ○ YES
 MP: ● NO ○ YES

COOLER SECTIONS:
 CORROSION ALLOWANCE: ● 1/16" ○ 1/8"
 RADIOGRAPHY: ● 10% ○ 100%
 STRESS RELIEVE: ● NO ○ YES
 MP: ● NO ○ YES

PROCESS PIPING:
 CORROSION ALLOWANCE: ● 1/16" ○ 1/8"
 RADIOGRAPHY: ● 10% ○ 100%
 STRESS RELIEVE: ● NO ○ YES
 MP: ● NO ○ YES

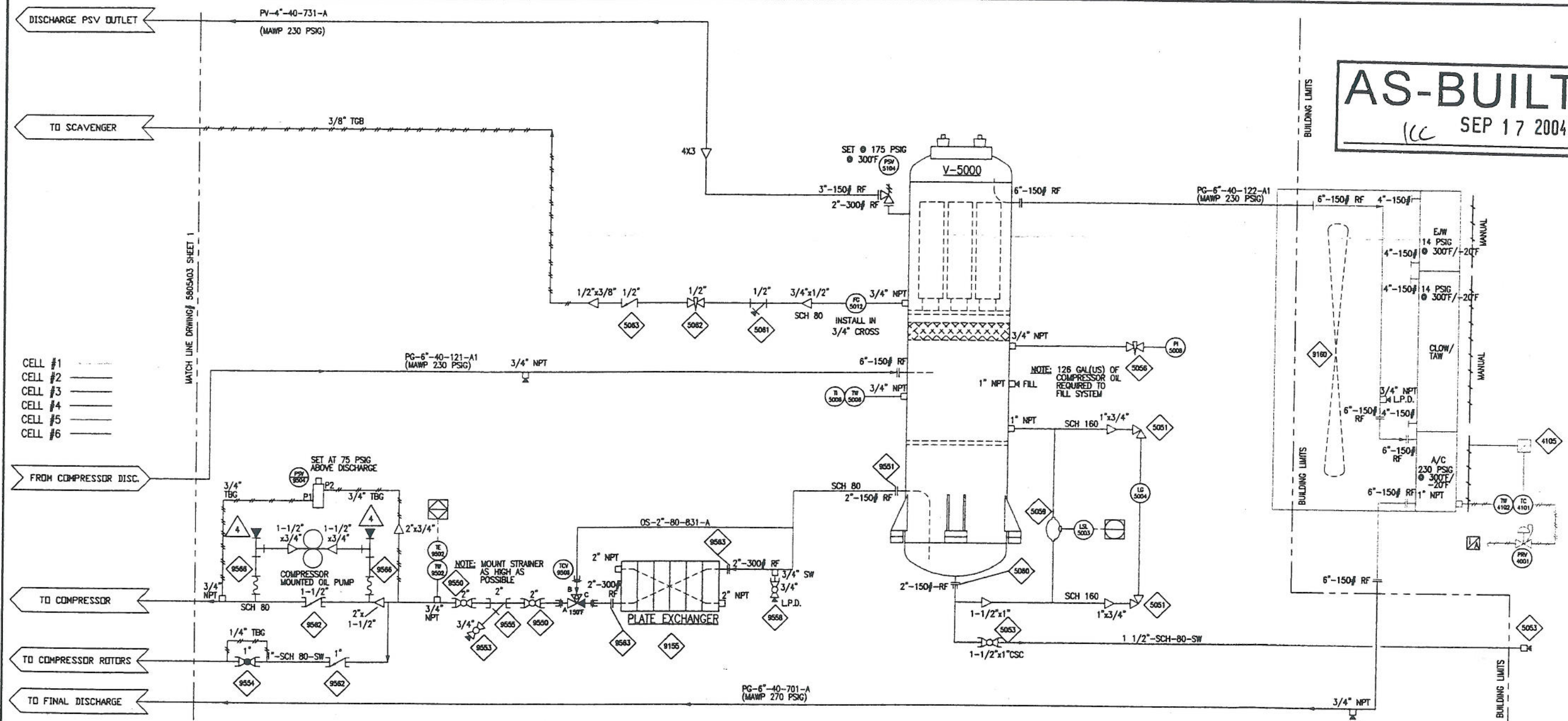
V-5000 OILSEPARATOR/COALESCER
 36" OD x 99" S/S
 230 PSIG MAWP @ 300°F
 S/N: TBA
 CRN: TBA

PLATE EXCHANGER
 MODEL: POLARIS S20-K-25
 PLATE/FRAHE HEAT EXCHANGER
 DUTY: 359838 BTU/Hr
 MAWP: 230 PSIG @ 300°F
 S/N:

COOLER
 MODEL: CSCI L84
 VERTICAL FORCED DRAFT HEAT EXCHANGER
 AC: 230 PSIG MAWP @ -20/300°F
 E/W: 14 PSIG MAWP @ -20/300°F
 CLOW/TAW: 14 PSIG MAWP @ -20/300°F

TUBING:
 CS PLATED W/ CS PLATED HYLON FITTING
 ALL TUBING TO BE 1/4" EXCEPT FOR THE FOLLOWING (REFER TO MATERIAL LIST)
 ALL TUBING TO BE 0.005" WT (MIN) UNLESS OTHERWISE NOTED ON DRAWING
 - INSTRUMENTATION VENTING 3/8"
 - DRAWS 1/2"
COMPRESSOR TUBING
 - LUBRICATION 1/4"
 - OIL COOLER 1/2"
 - OIL PRESSURE 3/8"
 - VENTS AND DRAWS 1/2"
ENGINE TUBING
 - OIL PRESSURE 3/8"
 - FUEL VALVE AND RELIEF 1/2"

AS-BUILT
 ICC SEP 17 2004



- CELL #1 _____
- CELL #2 _____
- CELL #3 _____
- CELL #4 _____
- CELL #5 _____
- CELL #6 _____

LINE DESIGNATION
 XX-XX-XX-XXX-X- LINE CLASS
 LINE NUMBER
 LINE SCHEDULE
 LINE SIZE
 LINE SERVICE

LEGEND
 ○ LOCAL MOUNTED
 ⊗ HMI (HUMAN MACHINE INTERFACE)
 ⊖ LOCAL PANEL MOUNTED
 ⊕ PANEL MOUNTED
 ⊖ PANEL INPUT (ELECTRICAL)

DESCRIPTION	DRAWING	REV	REV	DESCRIPTION	DATE	DWN BY	CHK BY	APR BY
4	AS BUILT				09.17.04	VCM		
3	GENERAL REVISIONS, IFC				06.21.04	VCM		
2	GENERAL REVISIONS, IFC				06.07.04	VCM		
1	ISSUED FOR CONSTRUCTION				05.28.04	CJM		
0	ISSUED FOR APPROVAL				05.13.04	VCM		
A	ISSUED FOR INFORMATION ONLY				05.05.04	VCM		

CUSTOMER
ENCANA EQUITY BOOSTER

LOCATION
 PORTABLE AB

Collicutt Energy Services Ltd.
 CORPORATE OFFICE
 7550 EDGAR INDUSTRIAL DRIVE
 RED DEER, AB CANADA T4P 3R2
 PHONE (403) 358-3200
 FAX (403) 358-3210

PROCESS P&ID
 STAGES: 1
 SERVICE: SWEET
 COMPRESSOR: PDR25X-GD
 ENGINE: CAT G3408TA
 DISTANCE PIECE: N/A
 COUPLING: ARCUSAFLEX
 COOLER: CSCI L84
 PANEL: CTT SUMMIT

JOB: FH363
 DWG: 6503A04
 REV: 4
 TSH: 2/2

THIS DRAWING IS THE PROPERTY OF COLLICUTT ENERGY SERVICES LTD. AND IS NOT TO BE USED FOR ANY PURPOSE OTHER THAN FOR WHICH IT IS INTENDED. T:\VH\8051\8437\2\10\Process\6503A04-2.dwg Sep 17, 2004 - 8:43am

OVERALL PACKAGE DIMENSIONS

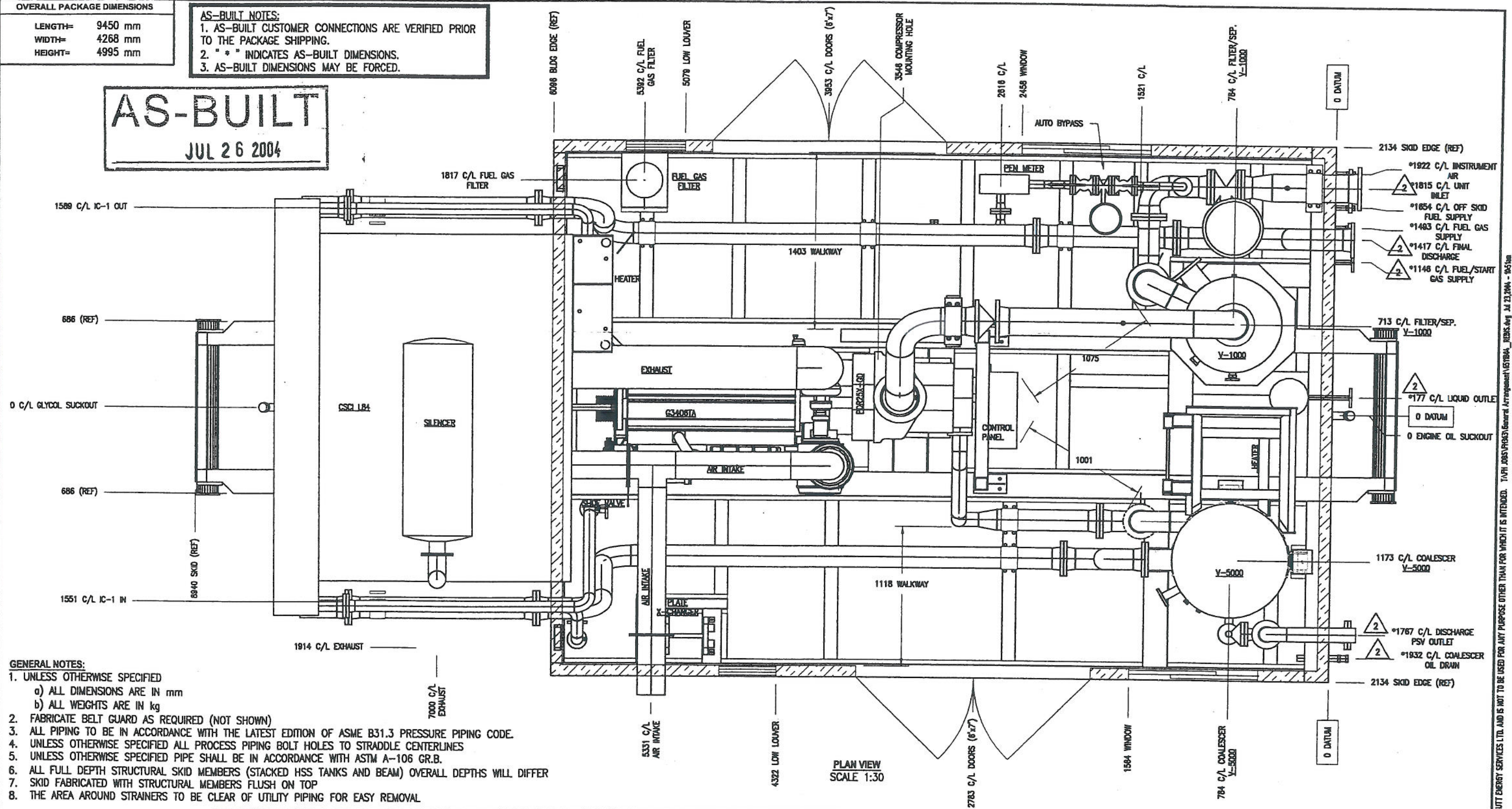
LENGTH= 9450 mm
 WIDTH= 4268 mm
 HEIGHT= 4995 mm

AS-BUILT NOTES:

- AS-BUILT CUSTOMER CONNECTIONS ARE VERIFIED PRIOR TO THE PACKAGE SHIPPING.
- "*" INDICATES AS-BUILT DIMENSIONS.
- AS-BUILT DIMENSIONS MAY BE FORCED.

AS-BUILT

JUL 26 2004



GENERAL NOTES:

- UNLESS OTHERWISE SPECIFIED
 - ALL DIMENSIONS ARE IN mm
 - ALL WEIGHTS ARE IN kg
- FABRICATE BELT GUARD AS REQUIRED (NOT SHOWN)
- ALL PIPING TO BE IN ACCORDANCE WITH THE LATEST EDITION OF ASME B31.3 PRESSURE PIPING CODE.
- UNLESS OTHERWISE SPECIFIED ALL PROCESS PIPING BOLT HOLES TO STRADDLE CENTERLINES
- UNLESS OTHERWISE SPECIFIED PIPE SHALL BE IN ACCORDANCE WITH ASTM A-106 GR.B.
- ALL FULL DEPTH STRUCTURAL SKID MEMBERS (STACKED HSS TANKS AND BEAM) OVERALL DEPTHS WILL DIFFER
- SKID FABRICATED WITH STRUCTURAL MEMBERS FLUSH ON TOP
- THE AREA AROUND STRAINERS TO BE CLEAR OF UTILITY PIPING FOR EASY REMOVAL

DESCRIPTION	DRAWING	REV	REV	DESCRIPTION	DATE	DWN BY	CHK BY	APR BY
			2	AS BUILT	07.20.04	VCM	<i>[Signature]</i>	
			1	ISSUED FOR CONSTRUCTION	06.01.04	CJM		
			0	ISSUED FOR APPROVAL	05.17.04	CJM		

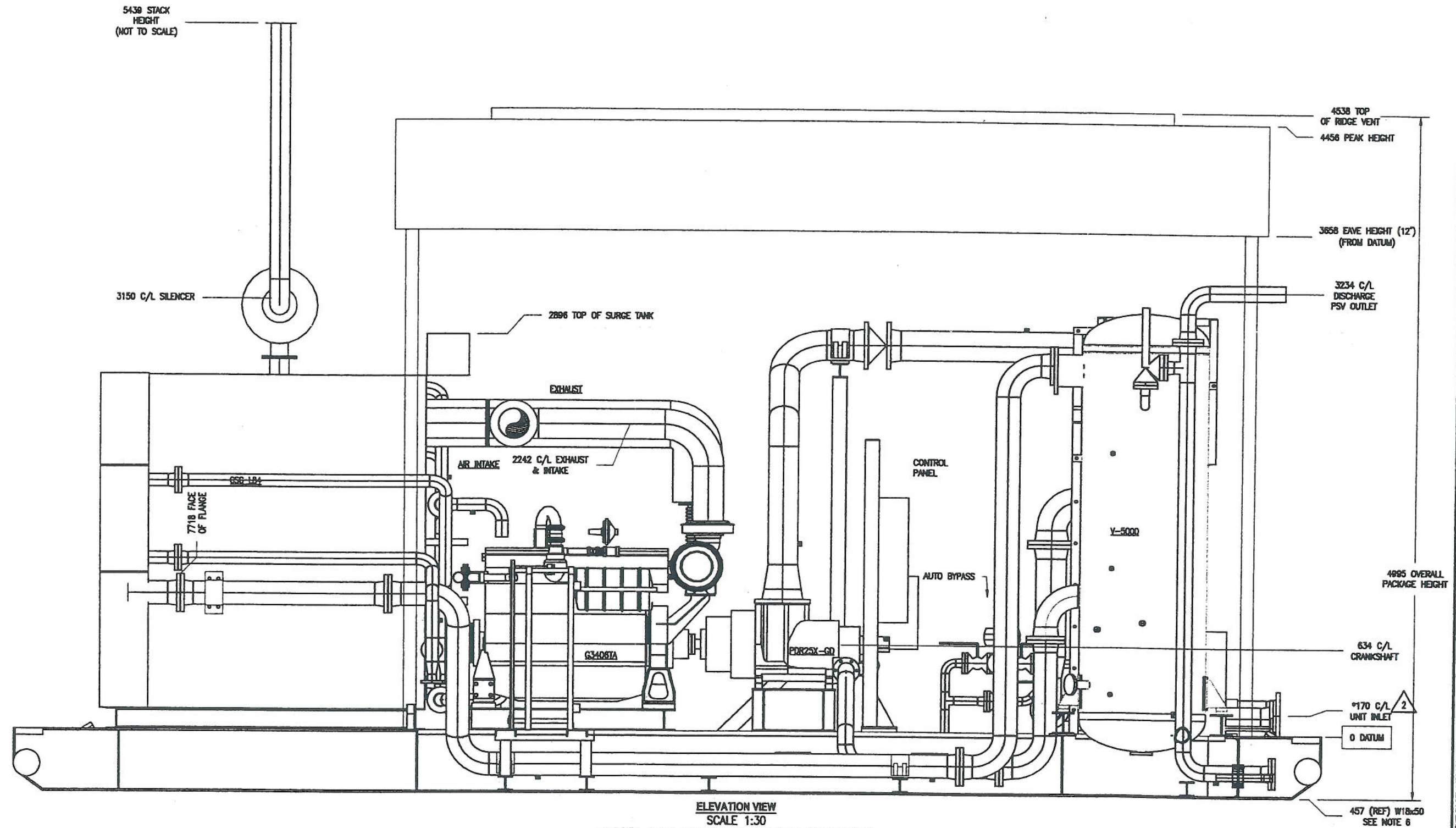
CUSTOMER	
ENCANA CORPORATION	
LOCATION	
08-09-32-23 W4M	

Collicutt Energy Services Ltd.

CORPORATE OFFICE
 7580 EDGAR INDUSTRIAL DRIVE
 RED DEER, AB CANADA T4P 3R2
 PHONE (403) 358-3200
 FAX (403) 358-3210

GENERAL ARRANGEMENT	
STAGES: 1	SERVICE: SWEET
COMPRESSOR: PDR25X-GD	ENGINE: CAT G3408 TA
DISTANCE PIECE: N/A	COUPLING: ARCUSAFLEX
COOLER: CSC L84	PANEL: CTI SUMMIT
JOB: FH363	REV: 2
6511B04	SHY: 1/4

THIS DRAWING IS THE PROPERTY OF COLLICUTT ENERGY SERVICES LTD. AND IS NOT TO BE USED FOR ANY PURPOSE OTHER THAN FOR WHICH IT IS INTENDED. T:\PI\2005\PH363-General Arrangement\6511B04_001.dwg 24.23.2004 - 04:58

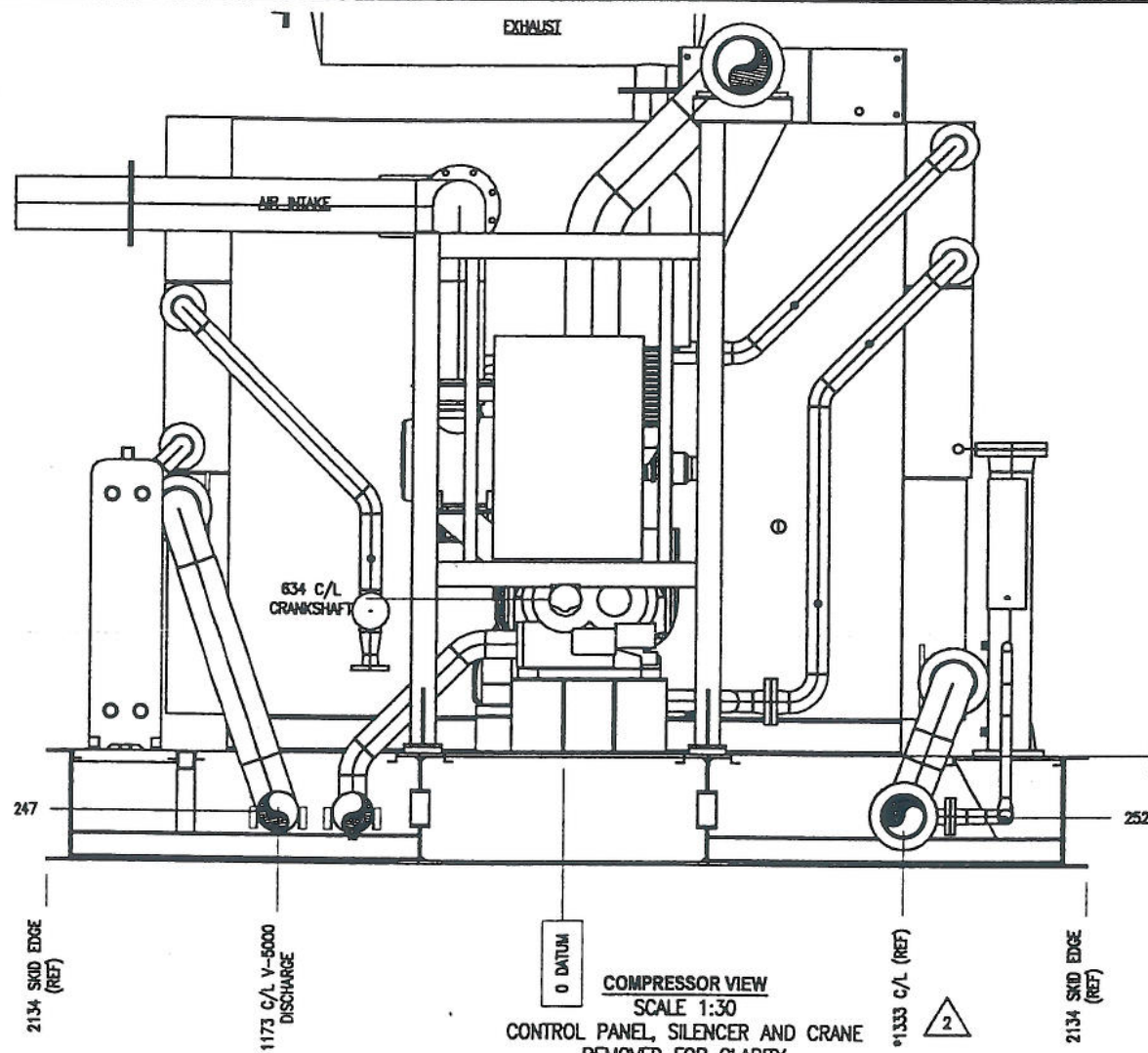


ELEVATION VIEW
SCALE 1:30
OUTSIDE BEAM REMOVED IN THIS VIEW FOR CLARITY

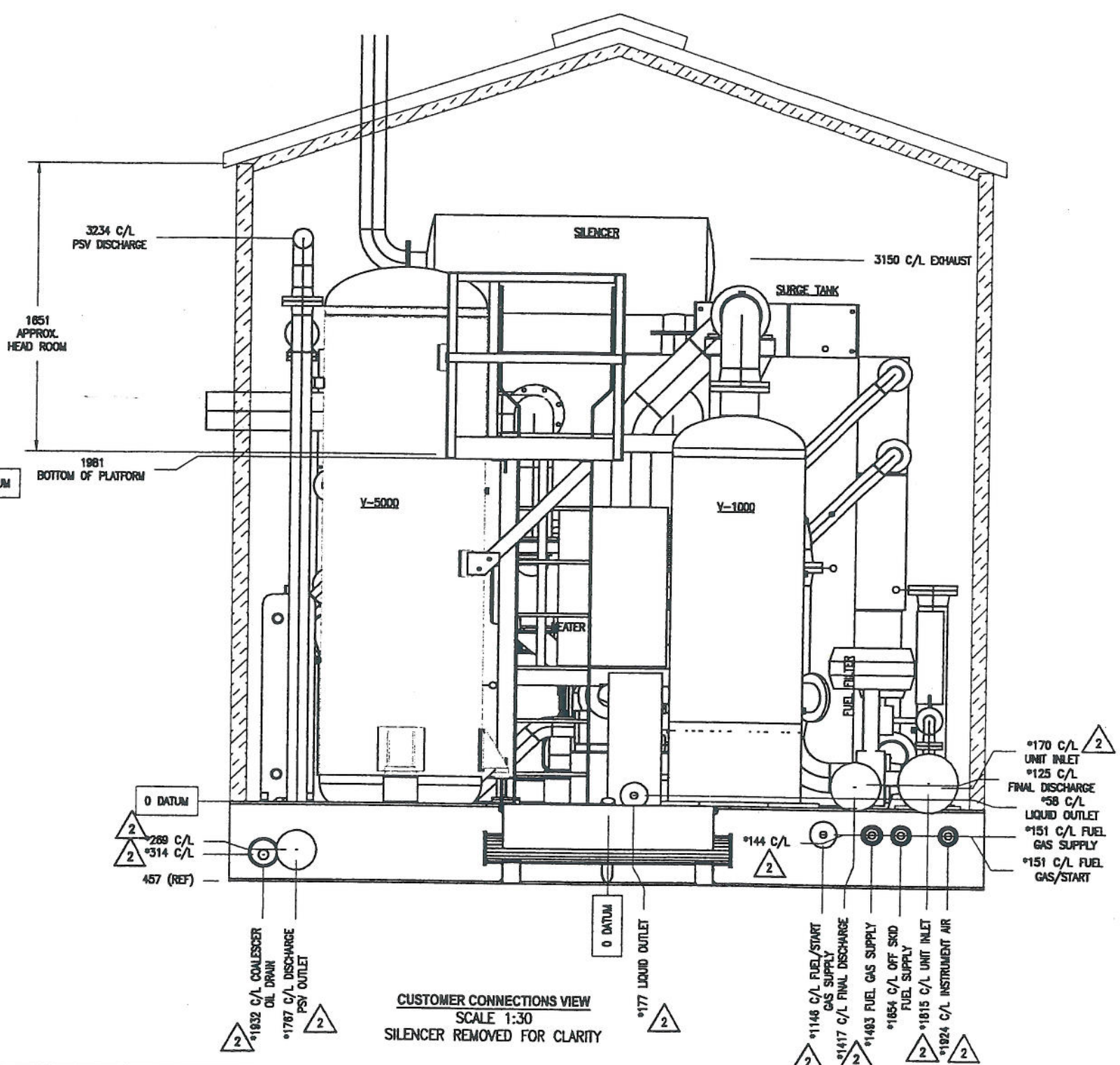
DESCRIPTION	DRAWING	REV	REV	DESCRIPTION	DATE	DWN BY	CHK BY	APR BY
			2	AS BUILT	07.20.04	VCM	<i>sh.</i>	
			1	ISSUED FOR CONSTRUCTION	06.01.04	CJM		
			0	ISSUED FOR APPROVAL	05.17.04	CJM		
REFERENCE DRAWINGS				REVISIONS				

CUSTOMER			GENERAL ARRANGEMENT	
ENCANA CORPORATION			STAGES: 1	SERVICE: SWEET
LOCATION		COMPRESSOR: PDR25X-G0	ENGINE: CAT G3406 TA	
08-09-32-23 W4M		DISTANCE PIECE: N/A	COUPLING: ARCUSAFLEX	
CORPORATE OFFICE		COOLER: CSC L84	PANEL: CTS SUMMIT	
7550 EDGAR INDUSTRIAL DRIVE		FH363		
RED DEER, AB CANADA T4P 3R2		REV 2		
PHONE (403) 358-3200		SHT 2/4		
FAX (403) 358-3210		6511B04		

THIS DRAWING IS THE PROPERTY OF COLLICUTT ENERGY SERVICES LTD. AND IS NOT TO BE USED FOR ANY PURPOSE OTHER THAN FOR WHICH IT IS INTENDED.



COMPRESSOR VIEW
SCALE 1:30
CONTROL PANEL, SILENCER AND CRANE
REMOVED FOR CLARITY



CUSTOMER CONNECTIONS VIEW
SCALE 1:30
SILENCER REMOVED FOR CLARITY

CUSTOMER CONNECTIONS SCHEDULE						
SERVICE	SIZE	RATING	C/L DIM.	C/L EL.	PROJ.	
FUEL GAS SUPPLY	1/2"	3000# UNION	*1493	*-151	*127	2
UNIT INLET	8"	150# RF	*1815	*170	*272	2
FINAL DISCHARGE	6"	150# RF	*1417	*125	*130	2
OFF SKID FUEL SUPPLY	1"	3000# UNION	*1654	*-144	*147	2
FUEL/START GAS SUPPLY	2"	150# RF	*1146	*-151	*147	2
INSTRUMENT AIR	1"	3000# UNION	*1922	*-162	*141	2
COALESCER OIL DRAIN	1-1/2"	3000# CPLG	-1932	*-314	*209	2
DISCHARGE PSV OUTLET	4"	-	1757	3234	152	
OPTIONAL PSV OUTLET	4"	150# RF	*1767	*-269	*144	2
LIQUID OUTLET	2"	150# RF	*177	*58	*176	2

NOTE: ALL DIMENSIONS ARE FROM DATUM

DESCRIPTION	DRAWING	REV	REV	DESCRIPTION	DATE	DWN BY	CHK BY	APR BY
			2	AS BUILT	07.21.04	VCM		
			1	ISSUED FOR CONSTRUCTION	06.01.04	CJM		
			0	ISSUED FOR APPROVAL	05.17.04	CJM		
REFERENCE DRAWINGS			REVISIONS					

CUSTOMER

ENCANA CORPORATION

LOCATION 08-09-32-23 W4M

Collicutt Energy Services Ltd.

CORPORATE OFFICE
7550 EDGAR INDUSTRIAL DRIVE
RED DEER, AB CANADA T4P 3R2
PHONE (403) 358-3200
FAX (403) 358-3210

GENERAL ARRANGEMENT

STAGES: 1 SERVICE: SWEET
COMPRESSOR: PDR25X-GD ENGINE: CAT G3406 TA
DISTANCE PIECE: N/A COUPLING: ARCUSAFLEX
COOLER: CSC L84 PANEL: CTI SUMMIT

JOB: FH363
REV: 2 SH: 3/4
6511B04

THIS DRAWING IS THE PROPERTY OF COLLICUTT ENERGY SERVICES LTD. AND IS NOT TO BE USED FOR ANY PURPOSE OTHER THAN FOR WHICH IT IS INTENDED.