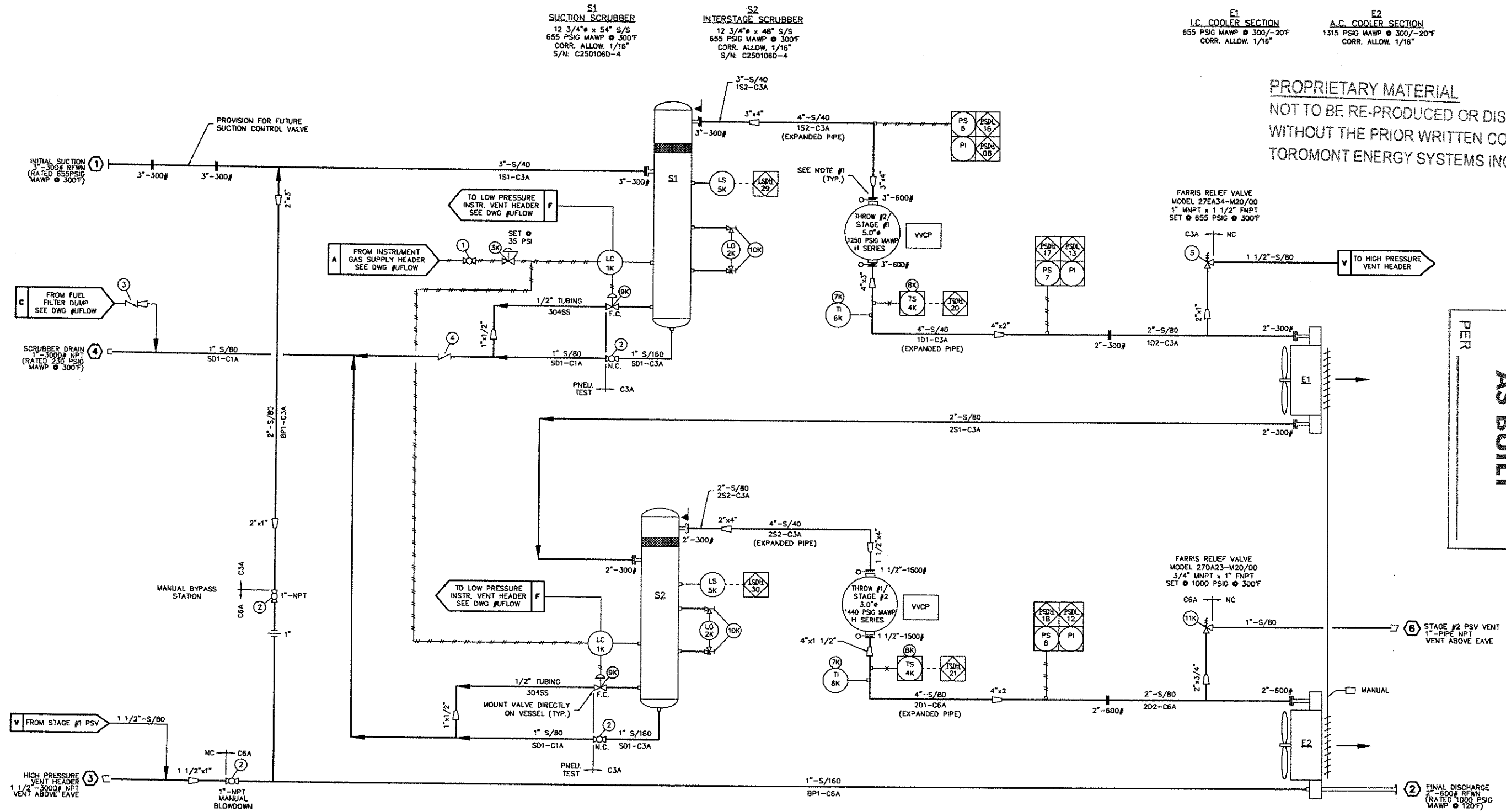


PROPRIETARY MATERIAL
 NOT TO BE RE-PRODUCED OR DISTRIBUTED
 WITHOUT THE PRIOR WRITTEN CONSENT OF
 TOROMONT ENERGY SYSTEMS INC.



TOROMONT ENERGY SYSTEMS
 JUN 08 2006
 AS BUILT
 PER

MATERIAL SPECIFICATIONS

PAIN: OVERALL UNIT: VALSPAR 20-F-34 "WARM GREY".
PRIMER: COMMERCIAL IRON OXIDE NON-LIFTING PRIMER.
PROCESS PIPING: 10% X-RAY - RT2, 1/16" CORROSION ALLOWANCE, SANDBLAST PIPING & VESSELS AFTER SUCTION SCREEN.
VESSELS: 10% X-RAY - RT2, 1/16" CORROSION ALLOWANCE.
OIL: ESSOLUBE OMA-40 IN ENGINE & COMPRESSOR FRAME.
GLYCOL: 50% ETHYLENE INHIBITED GLYCOL/WATER SOLUTION IN ENGINE & AUXILIARY JACKET WATER SYSTEMS.
BILL OF MATERIALS: ON SEPARATE SHEET PROVIDED WITH DRAWING.

TUBING SERVICES

PROCESS: 304 (SS)
UTILITY -CONTACTING PROCESS: 304 (SS)
INSTRUMENT: 304 (SS)
FRAME INTERNALS: 316 (SS)

FITTINGS: ZINC PLATED (S)
 ZINC PLATED (S)
 ZINC PLATED (S)
 316 (SS)

NOTES:
 NOTE #1: SPACER PLATES ARE PROVIDED FOR FUTURE INSTALLATION OF ORIFICE PLATES (IF REQUIRED).
 NOTE #2: ALL THREADED PIPING ON SCRUBBERS IS SCH. 150.
 NOTE #3: VESSELS REGISTERED IN AB, B.C. & SASK.
 NOTE #4: BOLTING ON ALL PROCESS FLANGE CONNECTIONS IS: SA-193-B7 STUDS, SA-194-2H NUTS & 316SS GASKETS.
 NOTE #5: -
 NOTE #6: -

GENERAL INFORMATION

COMPR. FRAME: - GEMINI H302-2
 - RATED RPM = 1800
 - SERIAL NUMBER = H507
ENGINE: - CATERPILLAR G3306NA
 - RATED 145 BHP @ 1800 RPM
 - SERIAL NUMBER = C6X00712
COOLER: - AIR-X-CHANGERS 48EH
 - SERIAL NUMBER = 054063-D
PANEL: - SPARTAN CONTROLS MURPHYMATIC TTDJ-IGN-T
 - SERIAL NUMBER = MJ-13047-AD
CYL. STAGE #1 THROW #2: - SERIAL NUMBER = 017808-1-3
CYL. STAGE #2 THROW #1: - SERIAL NUMBER = 016243-11-3

LEGEND

— PROCESS LINES
 — FUEL GAS, START GAS, DRAIN AND VENT LINES
 - - - PNEUMATIC TUBING
 - - - ELECTRICAL WIRING
 X X CAPILLARY
 ○ SPACER
 ○ SPECTICAL BLIND
 ▲ SCREEN (CONE STRAINER)

◻ PANEL CONNECTION - ELECTRIC
 ◻ PANEL CONNECTION - PNEUMATIC
 ◻ PANEL ALARM/SHUTDOWN
 ◻ ENGINE CONNECTION
 ○ LOCAL MOUNTED INSTRUMENT
 ◻ PANEL MOUNTED INSTRUMENT
 ◻ PNEUMATIC TO CURRENT

NOTE: SWEET PROCESS GAS

No.	REVISION	DATE	BY
-	-	-	-
2	AS BUILT	03/30/06	TN
1	UNIT RENTED TO YOHU RESOURCES INC.	02/09/06	TN
0	ISSUED FOR CONSTRUCTION	04/25/05	GP

TOROMONT ENERGY SYSTEMS
 10121 - BARLOW TRAIL N.E. CALGARY ALBERTA CANADA

TITLE: PROCESS FLOW DIAGRAM
 CATERPILLAR G3306NA / GEMINI H302-2
 AIR-X-CHANGERS 48EH

CUSTOMER: TOROMONT ENERGY SYSTEMS INC.
 STOCK 145 HP GAS COMPRESSOR

SCALE: NONE DATE: 04/25/05 BY: GP DATE RELEASED: 4/19/06 RELEASED BY: 66
 STEP # 410 UNIT # 31296 DRAWING NO.: 31296-PFLOW REV. 2