

P:\Drafting\Archives\Jobs\1-424 S-05030 S-144 AB\A-PID-S05030-144 AB.dwg, Model, 7/25/2006 9:43:54 AM, scottcpc, This drawing is the Property of PC Compression Inc. It may not be duplicated or transmitted without written permission.

V-110 INLET SCRUBBER
 Manufacturer: PYRAMID CORPORATION
 Size: 355.6mm x 1,219mm S/S
 (12" x 4'-0")
 MAWP: 600psi @ 500°F
 MDMT: -20°F @ 600psi
 CRN: R0789.23
 .0625" C.A.
 S/N: 2292-10
 (A) 524805

P-610 LIQUID PUMP
 Make: WARREN-RUPP
 Series: Sandpiper
 Model: G1FB1ABTXNSX00
 Max. Inlet Pressure: 100psi
 Capacity: 45gpm @ 40scfm
 S/N: 912271

CA-210 COMPRESSOR ASSEMBLY
 Manufacturer: COPELAND SCROLL
 Model: SZ044C1A-EDE-244
 Inlet Pressure: 21" WC / MAX 25psi
 Discharge Pressure Setting: 215psi
 275VAC/3 Phase/60Hz
 Peak Operating Amps: 46
 H.P.: 30
 S/N CA-210: 05IA2525
 I/C: SZ044C1A-EDS-XXX

C-210/211 COMPRESSOR
 Manufacturer: COPELAND SCROLL
 Model: ZNH22C2A-TXX-265
 Inlet Pressure: 15psi / MAX 40psi
 Discharge Pressure: 205psi
 275VAC/3 Phase/60Hz
 Peak Operating Amps: 24.5
 R.P.M.: 3500
 S/N C-210: 05FC1141D
 S/N C-211: 05FC1140D

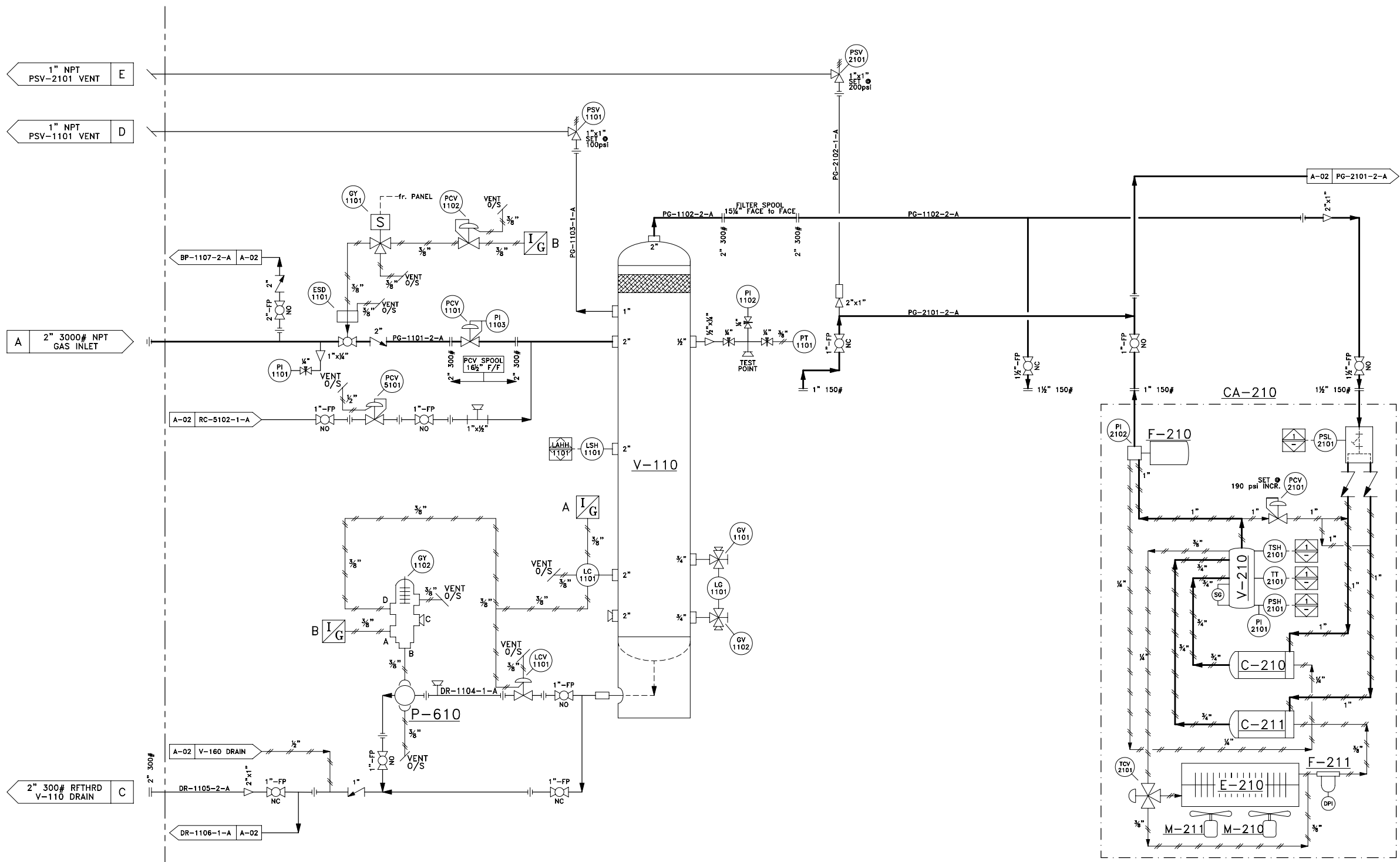
F-211 FILTER
 Manufacturer: PARKER
 Model No.: F315CNIR10QE-E-25M4M4198
 Element No.: 936700Q
 MAWP: 1000psi
 S/N F-211: 15RN

V-210 LUBE OIL SEPARATOR
 Manufacturer: COPELAND CORPORATION
 Part No.: 548-1987-00
 MAWP: 350psig

M-210/211 COOLER FAN MOTOR
 Manufacturer: EBM
 Model: M1G074-BF
 Class 1, Div. 2
 24 VDC
 Entela Certified:
 M-210: CC-183784
 M-211: CC-183785

F-210 LUBE OIL FILTER
 c/w Copeland Scroll
 Gas Compressor Assembly

E-210 COMPRESSOR COOLER
 c/w Copeland Scroll
 Gas Compressor Assembly



BILL of MATERIAL		
ITEM CODE	ITEM TAG	DESCRIPTION
9117D51V06E1-100	PSV-1101	MERCER, 91-17D51V06E1, 1"x1" NPT, SET @ 100psi
9117D51V07E1-200	PSV-2101	MERCER, 91-17D51V07E1, 1"x1" NPT, SET @ 200psi
ABK	PCV-1101	KIMRAY, 2" NPT, 212 SGT-PR, MAWP: 175psi
67CFR601SPEC	PCV-1102	FISHER, 67-CFR-601SC, 1/4" NPT, S.R. 0-125psi
627-496	PCV-5101	FISHER, 1" NPT, 627-496, S.R. 5-20psig, 1/2" ORIFICE
4348317	PT-1101	WIKA, N-10, 0-15psig
3100PI-CSP	LC-1101	MALLARD, 3100P1, MAWP: 1500psi
3100E-CSP	LSH-1101	MALLARD, 3100E-20MS5-VP, MAWP: 2000psi
D2XI	LCV-1101	FISHER, D2 FLOPRO, 1"NPT, MAX ACTUATOR PRESS: 35psi
9200015	PI-1101	WIKA, SSLF, 1/4"LM x 2 1/2"FACE, 0-100psi
9200015	PI-1102	WIKA, SSLF, 1/4"LM x 2 1/2"FACE, 0-100psi
c/w PCV-1101	PI-1103	KIMRAY, 1/4"LM x 2"FACE, 0-160psi
70003-000	LG-1101	PENBERTHY, 1RL-4
64810-500	GV-1101/02	PENBERTHY, 330J GAUGE VALVE
ABB00HJP2KB7AXXX	HOA-1101	HAND OFF AUTO SWITCH
EF8320G202-24	GY-1101	ASCO, EF8320G202-24V, MAWP: 115psi
167A-23	GY-1102	FISHER, 167A, S.R. 30-100psi
E4SF20W3/8	ESD-1101	ENFLOW, E4SF20W, WOG: 2000psi, c/w RADIUS ACTUATOR AS-020
98H-23	PCV-2101	FISHER, 98H-23, S.R. 130-200psi, MAWP: 300psi @ 180°F
611GE8001	PSL-2101	LO SUCTION PRESSURE, CCS 611GE8001, SET @ .75psi DECR
6900GE18	PSH-2101	HI DISCHARGE PRESSURE, CCS 6900GE18, SET @ 195psi INCR.
6900TE16	TSH-2101	HI DISCHARGE TEMPERATURE, CCS 6900TE16, SET @ 240°F INCR.
c/w CA-210	TT-2101	TEMPERATURE THERMISTER
c/w CA-210	PI-2101	TEL-TRU, SS, 1/4"LM x 2 1/2"FACE, 0-300psi
c/w CA-210	PI-2102	TEL-TRU, SS, 1/4"LM x 2 1/2"FACE, 0-300psi
c/w CA-210	TCV-2101	ROSTRA VERTATHERM, ES31-250-7

LINE SPEC.
 A = 200psi

GENERAL NOTES:
 1. PIPING CONSTRUCTED TO ASME B31.3 NORMAL SERVICE
 2. MATERIALS: 2" & SMALLER:
 PIPE: SA-106B, SCH 80
 FITTINGS: SA-105, 2000# NPT
 UNIONS: SA-105 3000# NPT
 BALL VALVES: 2000# NPT FP
 TUBING:
 1/4", 3/8" & 1/2" 316SS, .035" WALL
 TUBING FITTINGS:
 1/4", 3/8" & 1/2" 316SS
 3. DESIGN: a) SPEC 'A' PIPING: MAWP = 200psig @ 350°F
 MDMT: -20°F @ 200psig
 AIR TEST: 220psig @ AMBIENT TEMPERATURE
 4. THIS PRESSURE PIPING HAS A CAPACITY OF LESS THAN 0.5 CUBIC METERS
 5. AREA CLASSIFICATION IS CLASS I DIV II

REV.	DESCRIPTION	BY	DATE	CHKD	APPD
1	AS BUILT		12-06-05		
0	ISSUED FOR CONSTRUCTION		10-17-05		



2308-8th St.
 Nisku Alberta
 T9E 7Z2
 Office: 780.955.4292
 Fax: 780.955.4294
 Toll Free: 866.955.4292

Drawn by: M.E.W.
 Date: 03-17-04
 Checked by:
 Approved by:
 Company: SIGNALTA

S-144 SCROLL SERIES
 MODEL SZ044C1A w/ 12" x 48" VESSEL
 LSD: 10-36-37-20 W4M

Scale: N.T.S. Quote/Ref. NO.: - JOB NO.: I-424 Unit NO.: S-05030 Drawing NO.: PID-S05030-A-01 Rev.: 1

