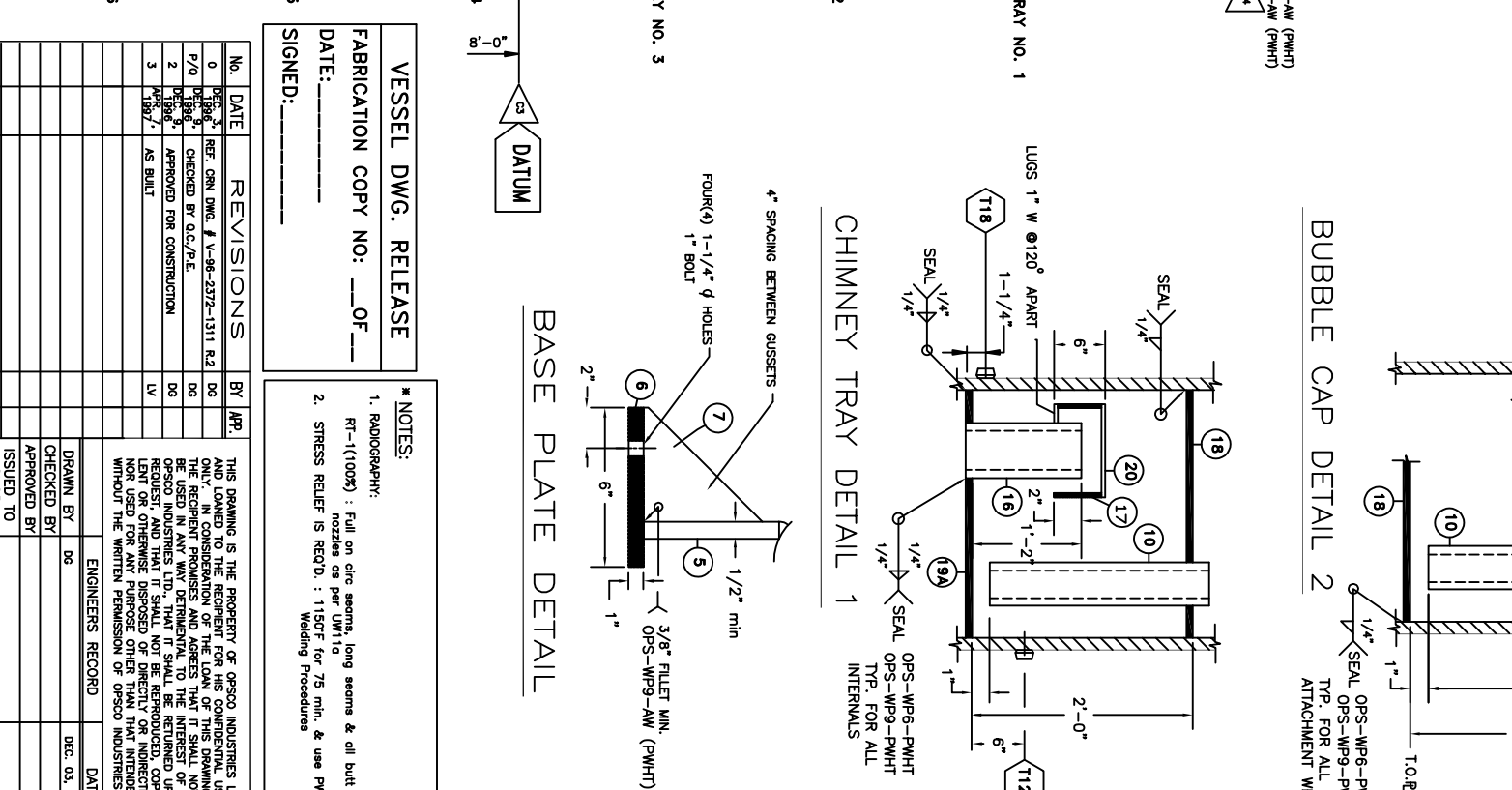
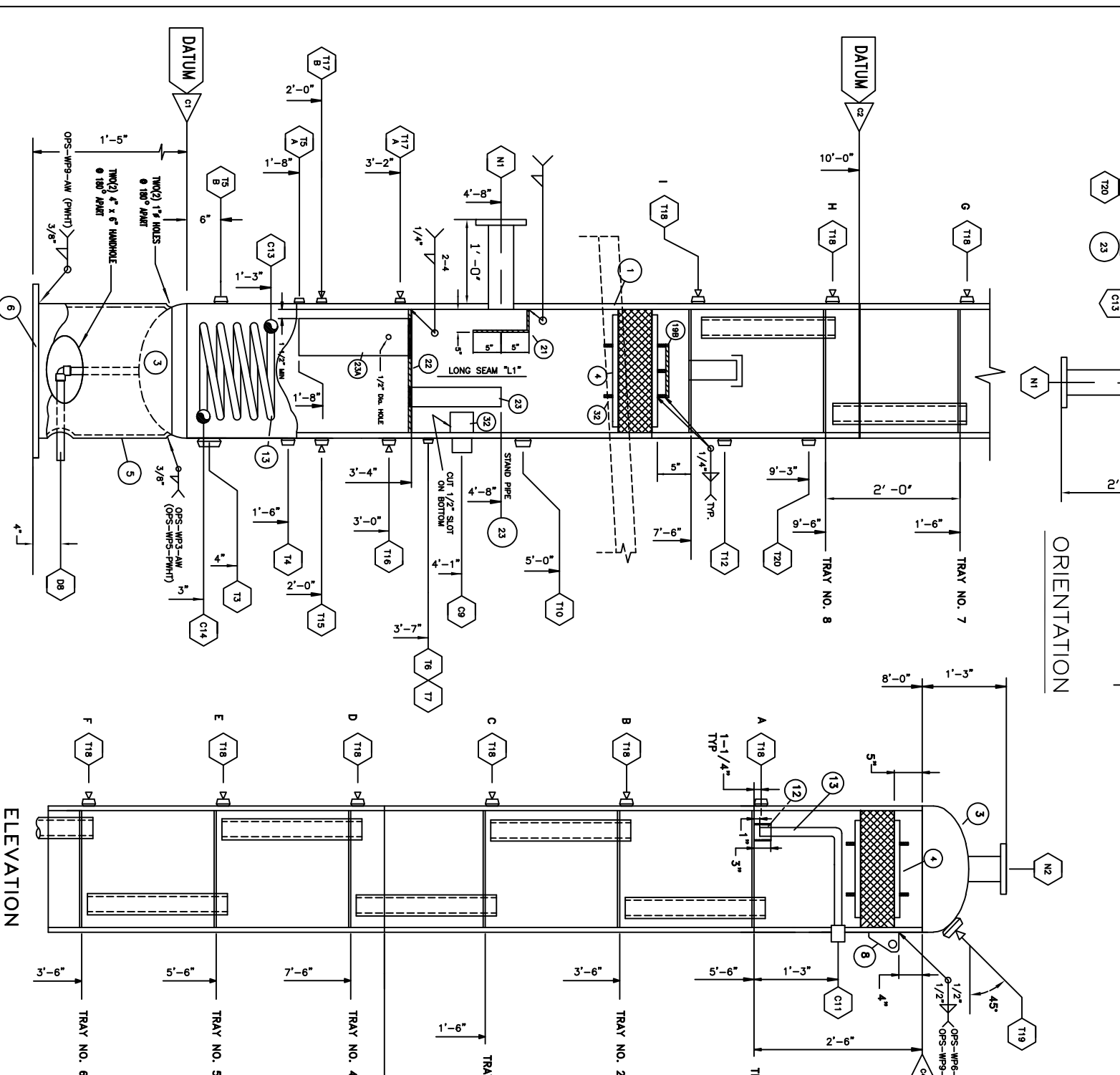
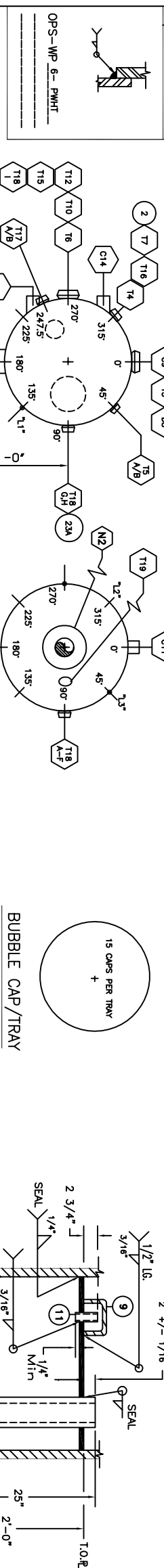


1	CORRS. & MAIN SEAMS	2	T.O.L. & S.O.L.	3	NOZZLE	4	COUPLING	5	OTHER	6	NOZZLE C/W REPAD	7	NOZZLE C/W REPAD	8	TACK WELD	9	TAPER BORE NOZZLE	10	RESSO	11	COIL	12	STRAIGHT BORE NOZZLE
---	---------------------	---	-----------------	---	--------	---	----------	---	-------	---	------------------	---	------------------	---	-----------	---	-------------------	----	-------	----	------	----	----------------------



**VESEL DWG. RELEASE**

FABRICATION COPY NO: \_\_\_ OF \_\_\_

DATE: \_\_\_\_\_

SIGNED: \_\_\_\_\_

**NOTES:**

- RADIOGRAPHIC.
- STRESS RELIEF IS REQ'D. : 1150F. for 75 min. & use PWHT Welding Procedures

No.	DATE	REVISIONS	BY	APP.
0	DEC. 2, 1996	REF. CON. DWG. # V-96-2372-1311 R2	DG	DG
1	DEC. 9, 1996	CHECKED BY G.C./P.E.	DG	DG
2	DEC. 9, 1996	APPROVED FOR CONSTRUCTION	DG	DG
3	APR. 27, 1997	AS BUILT	LV	

MARK	SIZE	RATING	TYPE	SERVICE	W/D	W41	W42	W43	H	PROBATION	TREK
N1	4"	600#	REFL. GAS INLET		5	1'			5"	AS	15
N2	4"	600#	REFL. GAS OUTLET		5	7/8"			5"	ST	14
T3	2"	600#	TDL	HEAD DUMP/INSPECTION	2	3/8"					24
T4	2"	600#	TDL	HEAD LEVEL CONTROL	2	3/8"					24
T5A/B	3/4"	600#	TDL	HEAD LEVEL GAUGE	2	3/8"					27
T6	1/2"	600#	TDL	PRESSURE INDICATOR	2	3/8"					28
T7	3/4"	600#	TDL	TEMPERATURE INDICATOR	2	3/8"					30, 31
D8	1 1/2"	WPT	PIPE	BRAIN	5, 13	3/8"					32, 34
C9	2"	600#	PLUG	HLSD	4	3/8"					35
T10	1 1/2"	600#	TDL	PSV	2	3/8"					29
C11	1"	600#	PLUG	LEW. GYCOL. IN	4	3/8"					24
T12	1"	600#	TDL	RICH GYCOL. OUT	2	3/8"					26
C13	1"	600#	PLUG	HEAT EXCHANGER COIL IN	11, 13	3/8"					29
C14	1"	600#	PLUG	HEAT EXCHANGER COIL OUT	11, 13	3/8"					29
T15	1"	600#	TDL	HC DUMP	2	3/8"					26
T16	2"	600#	TDL	HC LEVEL CONTROL	2	3/8"					24
T17A/B	3/4"	600#	TDL	HC LEVEL GAUGE	2	3/8"					28
T18A-1	1"	600#	TDL	TRAY INSPECTION	2	3/8"					26
T19	2"	600#	TDL	INSPECTION	2	3/8"					25
T20	1"	600#	TDL	EQUALIZER	2	3/8"					26

ITEM	REQ'D	SIZE	TYPE	RATING	SCH.	MAT'L SPEC.	DESCRIPTION
1	1	24" O.D.	ROLLED PLATE	600#	SA-516-70N	24" O.D. x 8K-0" #2 x 1.125" NOM. THK. CAR (3 PIECES @ 10', 8', 8')	
2	1	STD	FORMED PLATE	600#	SA-36	NAMEPLATE BRACKET (STBRO)	
3	2	24" O.D.	FORMED PLATE	600#	SA-516-70N	24" O.D. x 1.125" THK. DENISTEN 6" THK. 98/CU.F. 316L SS MESH, SS GRID	
4	2	21.75" O.D.	EMV	600#	SA-36	DISCO PIPE SKIRT (STD. ...)	
5	1	24" O.D.	EMV	600#	SA-36	DISCO BASEPLATE (STD. 145)	
6	1	36" O.D.	PLATE	600#	SA-36	DISCO BASEPLATE (STD. 145)	
7	8	AS REQ'D	PLATE	600#	SA-36	DISCO BASEPLATE RIBS (1/2" THK.)	
8	2	1" THK. x 3/4" x 5 1/4"	LIFTING LUGS	600#	SA-516-70	LIFTING LUGS	
9	120	STD	EMV	600#	CS	BUBBLE CAPS CS	
10	AS REQ'D	2"	EMV	600#	SA-53	DONNOWER PIPE	
11	AS REQ'D	1-1/4"	EMV	600#	SA-53	RISER PIPE	
12	AS REQ'D	3"	SMS	600#	SA-106-B	PIPE COILS	
13	AS REQ'D	1"	SMS	600#	SA-106-B	PIPE COILS	
14	1	4"	REFL. W	600#	SA-106N	ANSI FLANGE (9" LG.)	
15	1	4"	REFL. W	600#	SA-106N	ANSI FLANGE (14" LG.)	
16	AS REQ'D	4"	PIPE	600#	SA-106-B	SMS PIPE (CHIMNEY)	
17	AS REQ'D	8"	PIPE	600#	SA-106-B	SMS PIPE (CHIMNEY CAP)	
18	AS REQ'D	3/16" THK	PLATE	600#	SA-36	BUBBLE CAP TRAYS	
19	AS REQ'D	3/8" THK	PLATE	600#	SA-36	BUBBLE CAP TRAYS	
20	1	3/16" THK	PLATE	600#	SA-36	DEFLECTOR PLATE	
21	1	3/8" THK	PLATE	600#	SA-36	CHIMNEY TOP PLATE	
22	1	3/8" THK	PLATE	600#	SA-36	INLET DIVERTERS	
23	AS REQ'D	6"	PIPE	600#	SA-106-B	BUFFLE PLATE	
24	3	2"	TDL	600#	SA-106-B	DONNOWER PIPE	
25	1	2"	TDL	600#	SA-106-B	STAND PIPE	
26	12	1"	TDL	600#	SA-106-B	TDL DN SHELL	
27	1	1/2"	TDL	600#	SA-106-B	TDL DN SHELL	
28	5	3/4"	TDL	600#	SA-106-B	TDL DN SHELL	
29	3	1"	PLUG	600#	SA-106-B	CRAG (4" LG.)	
30	AS REQ'D	1 1/2"	PIPE	600#	SA-106-B	90 DEG ELBOW	
31	1	1 1/2"	WPT	600#	SA-106-B	PIPE (GLSD) HODD	
32	AS REQ'D	3/8" THK	PLATE	600#	SA-36	STIFFENERS	
33	AS REQ'D	2"	PLATE	600#	SA-106-B	HALF CRGS.	
34	1	2"	CRG	600#	SA-106-B	TDL DN SHELL	
35	1	1 1/2"	TDL	600#	SA-106-B	TDL DN SHELL	

MARK	SIZE	RATING	TYPE	SERVICE	W/D	W41	W42	W43	H	PROBATION	TREK
N1	4"	600#	REFL. GAS INLET		5	1'			5"	AS	15
N2	4"	600#	REFL. GAS OUTLET		5	7/8"			5"	ST	14
T3	2"	600#	TDL	HEAD DUMP/INSPECTION	2	3/8"					24
T4	2"	600#	TDL	HEAD LEVEL CONTROL	2	3/8"					24
T5A/B	3/4"	600#	TDL	HEAD LEVEL GAUGE	2	3/8"					27
T6	1/2"	600#	TDL	PRESSURE INDICATOR	2	3/8"					28
T7	3/4"	600#	TDL	TEMPERATURE INDICATOR	2	3/8"					30, 31
D8	1 1/2"	WPT	PIPE	BRAIN	5, 13	3/8"					32, 34
C9	2"	600#	PLUG	HLSD	4	3/8"					35
T10	1 1/2"	600#	TDL	PSV	2	3/8"					29
C11	1"	600#	PLUG	LEW. GYCOL. IN	4	3/8"					24
T12	1"	600#	TDL	RICH GYCOL. OUT	2	3/8"					26
C13	1"	600#	PLUG	HEAT EXCHANGER COIL IN	11, 13	3/8"					29
C14	1"	600#	PLUG	HEAT EXCHANGER COIL OUT	11, 13	3/8"					29
T15	1"	600#	TDL	HC DUMP	2	3/8"					26
T16	2"	600#	TDL	HC LEVEL CONTROL	2	3/8"					24
T17A/B	3/4"	600#	TDL	HC LEVEL GAUGE	2	3/8"					28
T18A-1	1"	600#	TDL	TRAY INSPECTION	2	3/8"					26
T19	2"	600#	TDL	INSPECTION	2	3/8"					25
T20	1"	600#	TDL	EQUALIZER	2	3/8"					26