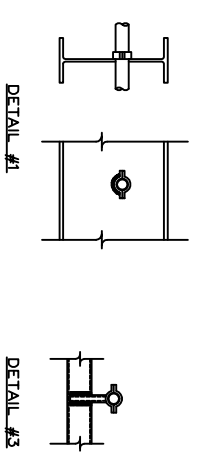
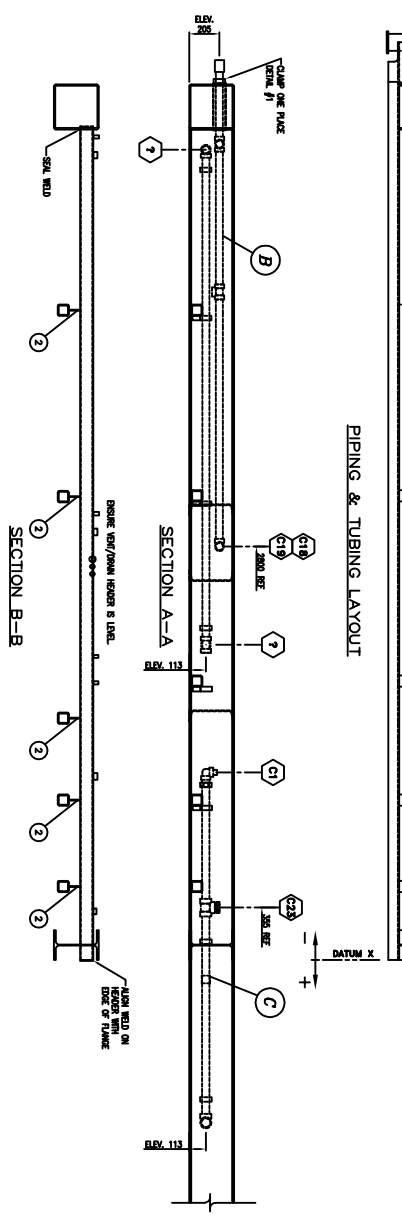
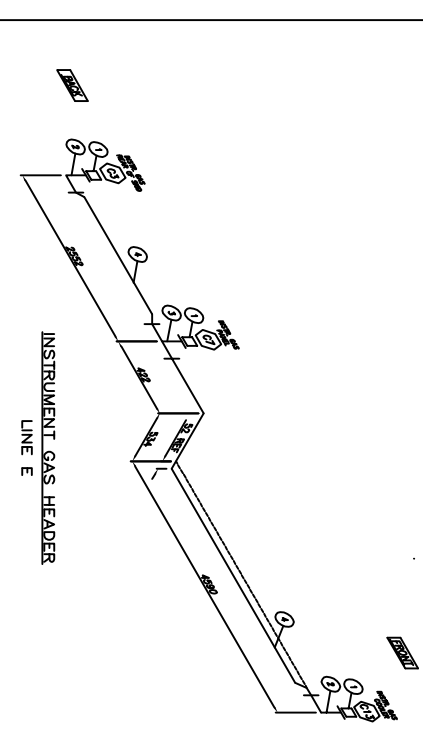
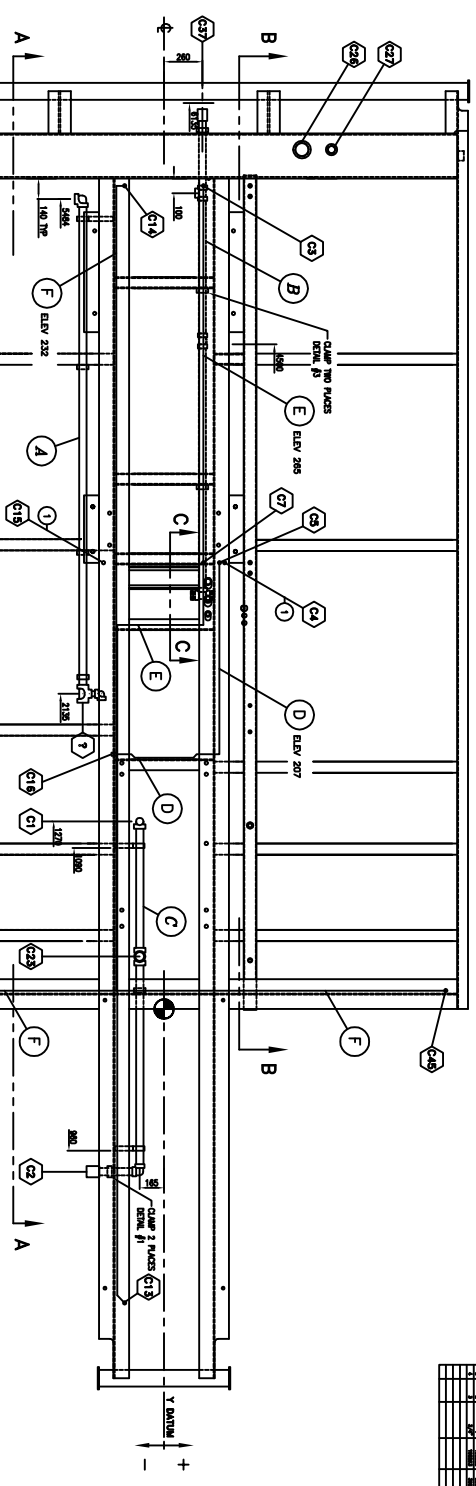
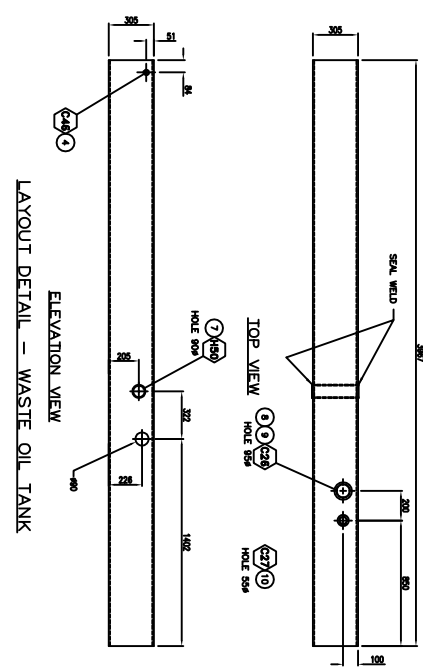
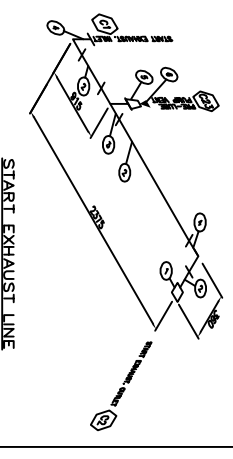
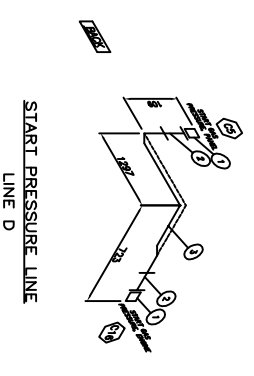
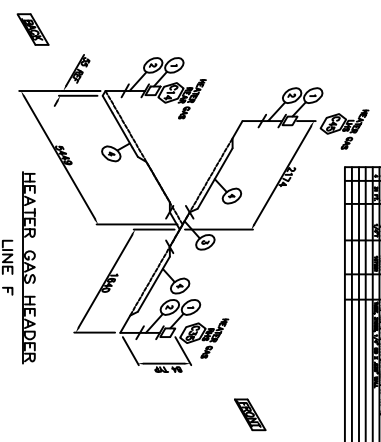
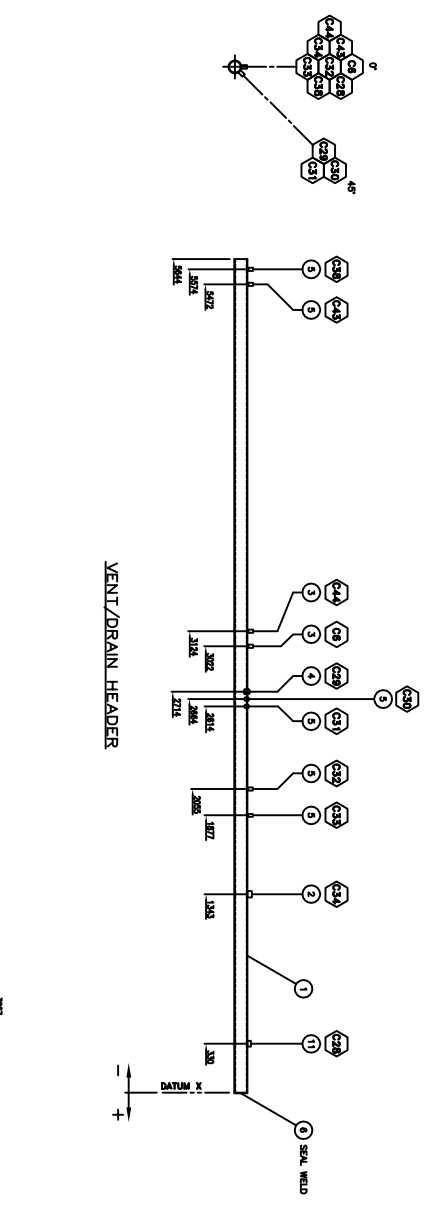
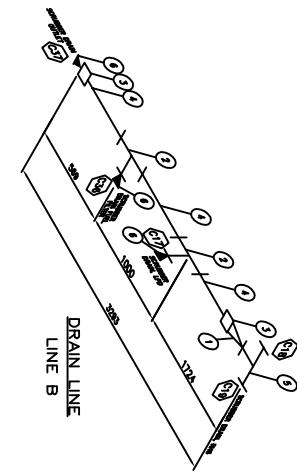
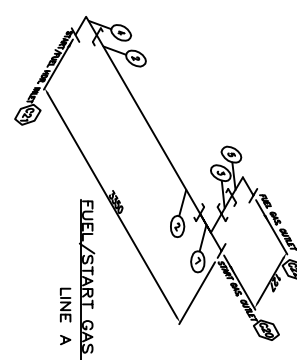


PIPING & TUBING DETAILS

APPROPRIATE CODE: ANSI B31.3
 MATERIAL: ASTM A106 Gr. B
 FINISH: ASTM A106-Gr. B
 DESIGN PRESS: 200 PSIG @ 100°F



© 2004 Enerflex Systems Ltd.
 REPRODUCTION OF ANY PORTION OF THESE MATERIALS WITHOUT THE EXPRESS WRITTEN PERMISSION OF ENERFLEX SYSTEMS LTD. IS STRICTLY PROHIBITED. THE DESIGN AND CONSTRUCTION OF ANY SYSTEMS USING THESE PRODUCTS IS THE RESPONSIBILITY OF THE USER. ENERFLEX SYSTEMS LTD. ACCEPTS NO LIABILITY FOR THE DESIGN, REPAIR AND MAINTENANCE OF THE PRODUCTS TO WHICH THEY RELATE.

REV	DESCRIPTION	DATE	BY	CHECKED
E	DWP P&T SHEET REVISED (NO SLOPE)	05/06/07	AMJ	
D	CUT OFF IN SKID REMOVED / ADDED 6 1" NUTS	04/10/07	AMJ	
C	CHANGED POSITIONS OF WASTE OIL TANK, PUMP OUT / VENT	04/09/20	AB	
B	GENERAL REVISIONS	04/07/15	SB	
A	FOR MANUFACTURE	04/07/21	CT	
REV	DISCREPTION	DATE	DRAWN	CHECKED
			BY	BY

BTB Compressors
 4790 47 ST. SE. CALGARY, AB, CANADA T2B 3H1
 TEL: 1 (403) 238-8800 FAX: 1 (403) 279-0387
 www.enerflex.com

12" BRAUN ONE-PIECE SKID (COOLER ON SKID)
 BR00/BR00/BR70 - COMPRESSOR PACKAGES
 CUSTOMERS

CONSIDANT:	DATE:	BY:	DATE:	DATE:	DATE:
FOR:	DATE:	DATE:	DATE:	DATE:	DATE:
DATE:	DATE:	DATE:	DATE:	DATE:	DATE:

LSB: JOB No.:
 Dwg. No.: 109452B
 OPERATOR # 30

SHEET 3 OF 4