

3D VIEW

ISSUED FOR CONSTRUCTION
 NAME: L. JOHNSTON DATE: 08/14/14

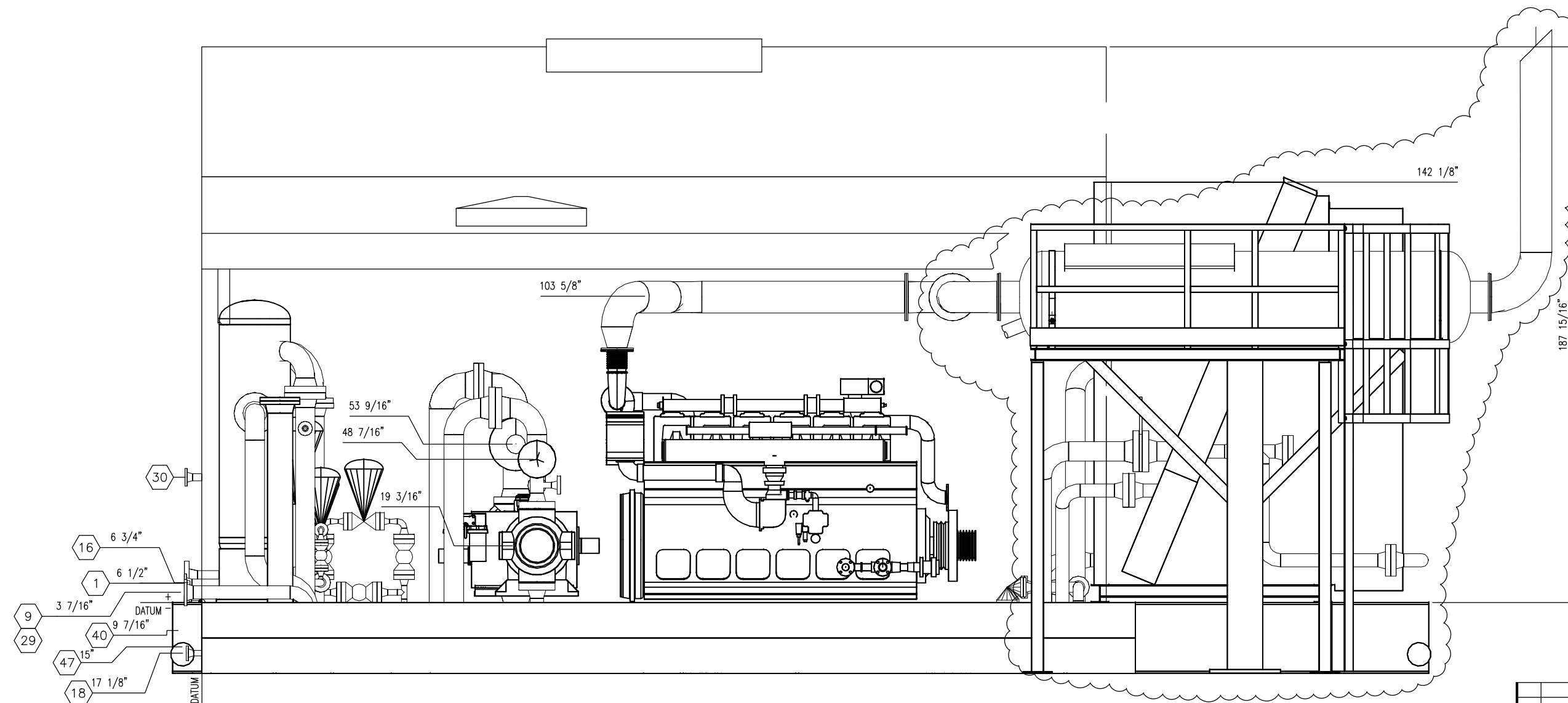
REV.	DESCRIPTION	DATE	BY	APPR.
4	REVISED AS PER CUSTOMER MARK-UPS	08/14/14	LJ	GW
3	ADDED MUFFLER STAND, MOVED PLATFORM	07/29/14	EN	GW
2	ADDED PLATFORM & LADDER	01/14/14	EN	GW
1	MOVED BLOWDOWN	12/19/13	EN	GW
0	ISSUED FOR CONSTRUCTION	12/09/13	EN	GW

ENERFLEX		TITLE: PLAN VIEW GENERAL ARRANGMENT	
DRAWN BY: E. NASSONOVA CHKD. BY: A. ROBINSON APPR. BY: G. WITTNER CUST. PO No:	DATE: 12/03/13 SCALE: 1:20 W.O. No:	FOR: SUMMIT MIDSTREAM c/o ZION ENGINEERING NORTH DAKOTA (JOB# E001480-01)	
DWG. No: 31323-GA		SHEET No: 3 OF 3	REV: 4

- MAJOR COMPONENTS**
- COMPRESSOR**
 (1) ARIEL JOK/2, L2C DISTANCE PIECES
 (1) THROW 1: BORE: 12.0", 12-1/2X, MAMP: 800 PSIG
 (1) THROW 2: BORE: 6.25", 6-1/4X, MAMP: 2050 PSIG
- ENGINE**
 (1) WAUKESHA, F3521GS
- COOLER**
 (1) AR-X-CHANGERS, 120EH
 (1) INTERSTAGE COOLER SECTION #1 - DESIGN PRESSURE 1287 PSIG @ 350/-20 °F S/N: TBA
 (1) AFTERCOOLER SECTION - DESIGN PRESSURE 1932 PSIG @ 350/-20 °F S/N: TBA
- SCRUBBERS**
 24" Dia. x 72" S/S - MAMP: 655 PSIG @ 300F S/N: 31323211
 24" Dia. x 72" S/S - MAMP: 1310 PSIG @ 300F S/N: 31323213
- BOTTLES**
 18" Dia. x 36" S/S - MAMP: 655 PSIG @ 300F S/N: 31323220
 16" Dia. x 66" S/S - MAMP: 655 PSIG @ 350F S/N: 31323222
 12 3/4" Dia. x 24" S/S - MAMP: 1310 PSIG @ 300F S/N: 31323224
 14" Dia. x 32" S/S - MAMP: 1930 PSIG @ 350F S/N: 31323226
- CONTROL PANEL**
 (1) SPARTAN CONTROLS REMVUE 500S

GENERAL NOTES:
 1. ALL TAIL DIMENSIONS FROM REFERENCE POINT.

SHIPPING WEIGHTS		KG.	LBS.			
ENGINE		6555	14012			
COMPRESSOR (C/W CYLINDERS)		4100	9040			
COOLER		5829	12850			
VESSELS		2697	5945			
SKID		22436	49471			
MISC. & LIQUIDS		9127	20125			
BUILDING		2722	6000			
CRANE		1498	3303			
EXISTING SKID		-	-			
TOTAL SHIPPING WT.		54719	120646			
SHIPPED LOOSE ITEMS		45	100			
TOTAL UNIT WEIGHT		54764	120746			
UNIT DIMENSIONS	LENGTH		WIDTH		HEIGHT	
	mm	ft/in	mm	ft/in	mm	ft/in
MAIN SKID w/ ALL EQUIP. MOUNTED	10814	35'-5 3/4"	6706	22'-0"	5619	18'-0"
SHIPPING DIMENSIONS	10814	35'-5 3/4"	6706	22'-0"	5619	18'-0"
COOLER						



ELEVATION VIEW

ISSUED FOR CONSTRUCTION
 NAME: L. JOHNSTON DATE: 08/14/14

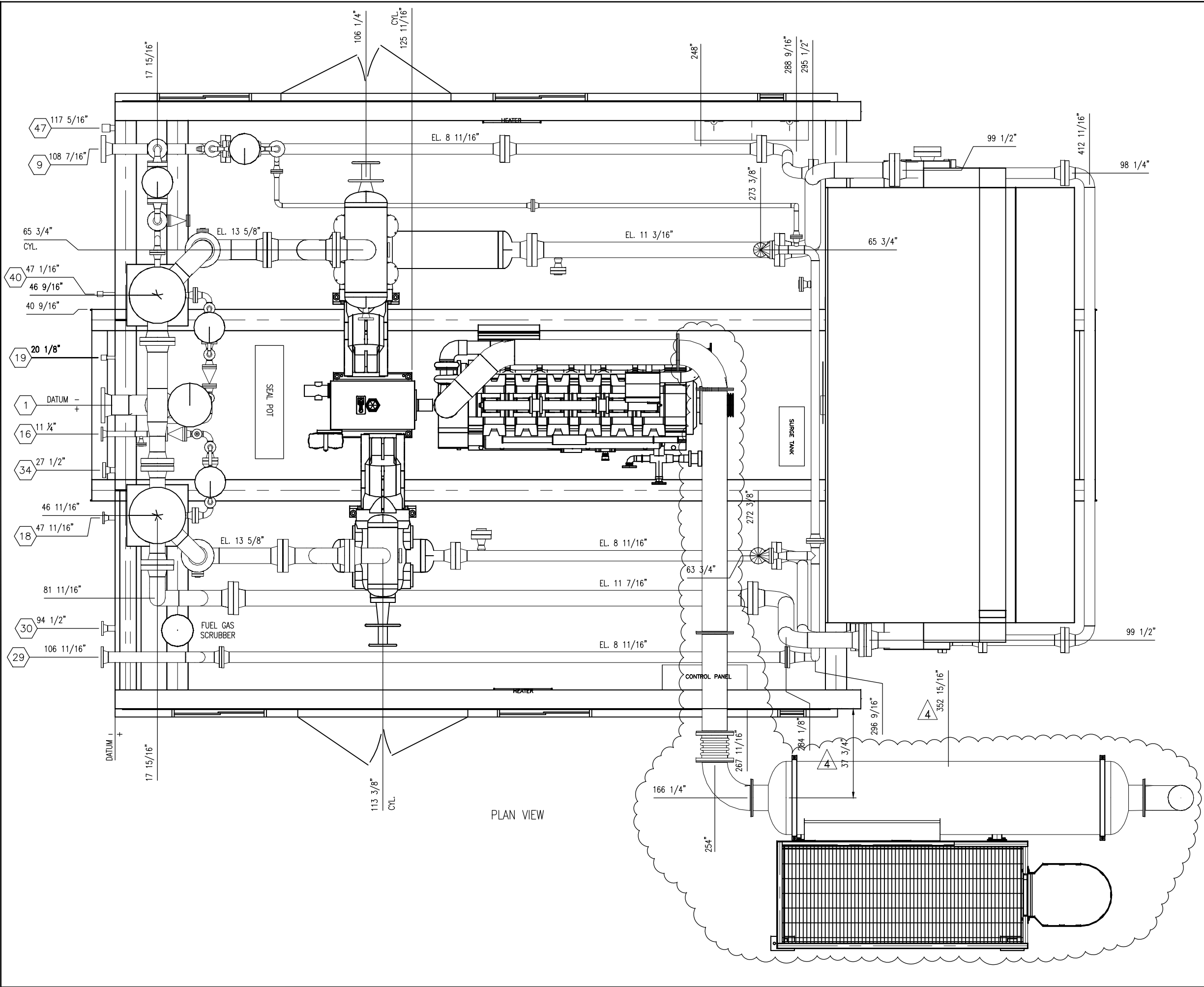
REV.	DESCRIPTION	DATE	BY	APPR.
4	REVISED AS PER CUSTOMER MARK-UPS	08/14/14	LJ	GW
3	ADDED MUFFLER STAND, MOVED PLATFORM	07/29/14	EN	GW
2	ADDED PLATFORM & LADDER	01/14/14	EN	GW
1	MOVED BLOWDOWN	12/19/13	EN	GW
0	ISSUED FOR CONSTRUCTION	12/09/13	EN	GW

ENERFLEX TITLE: PLAN VIEW GENERAL ARRANGMENT

FOR: SUMMIT MIDSTREAM
 c/o ZION ENGINEERING
 NORTH DAKOTA
 (JOB# E001480-01)

DRAWN BY: E. NASSONOVA DATE: 12/03/13
 CHKD. BY: A. ROBINSON SCALE: 1:20
 APPR. BY: G. WITTNER W.O. No:

CUST. PO No: DWG. No: 31323-GA SHEET No: 2 OF 3 REV: 4



CUSTOMER CONNECTIONS			COORDINATE		
NO.	DESCRIPTION	SIZE	HORIZONTAL	PROJECTION	ELEVATION
1	PROCESS INLET	8"-300#RF	0	-5 15/16"	6 3/16"
9	PROCESS FINAL DISCHARGE	4"-900#RF	-108 7/16"	-5 15/16"	3 1/4"
16	SCRUBBER DRAIN HEADER	2"-150#RF	11 1/4"	-6 13/16"	5 7/8"
18	SEAL POT DRAIN	1 1/2"-150#	47 11/16"	-5 1/4"	-17 1/8"
19	SEAL POT VENT	1"NPT	-20 1/8"	-5 15/16"	2 7/16"
29	PRESSURE RELIEF HEADER	4"-150#RF	106 11/16"	-5 11/16"	2 7/16"
30	FUEL GAS SUPPLY INLET	2"-150#RF	94 1/2"	-5 11/16"	42 3/8"
34	START GAS SUPPLY INLET	2"-800#RF	27 1/2"	-5 1/4"	4 1/8"
40	COMPRESSOR CRANKCASE VENT	1"NPT	-47 1/16"	-7 1/2"	-9 7/16"
47	ENGINE AND COMPRESSOR OIL DRAIN	2" NPT	-117 5/16"	-5 1/2"	-15"

OTHER CONNECTIONS					
CONN.	DESCRIPTION	SIZE	HORIZONTAL	PROJECTION	ELEVATION
	COMPRESSOR OIL TANK FILL (LOCAL)	2" NPT	-	-	-
	ENGINE OIL TANK FILL (LOCAL)	2" NPT	-	-	-
	COMPRESSOR OIL TANK FILL	2" NPT	-	-	-
	ENGINE OIL TANK FILL	2" NPT	-	-	-
	START GAS VENT	2" PIPE	-	-	-
	SEAL POT	1 1/2" NPT	-	-	-
	WASTE OIL TANK VENT	1/2" NPT	-	-	-
	WASTE OIL TANK PUMPOUT	3" NPT	-	-	-

- MAJOR COMPONENTS**
- COMPRESSOR**
 (1) AREL J04/2, L2C DISTANCE PIECES
 (1) THROW 1; BORE: 12.0", 12-1/2", MAMP: 800 PSIG
 (1) THROW 2; BORE: 6.25", 6-1/4", MAMP: 2050 PSIG
- ENGINE**
 (1) WALKESHA, F3521GS
- COOLER**
 (1) AIR-Y-CHANGERS, 120EL
 (1) INTERSTAGE COOLER SECTION #1 - DESIGN PRESSURE 1287 PSIG @ 350/-20 F S/N: TBA
 (1) AFTER-COOLER SECTION - DESIGN PRESSURE 1932 PSIG @ 350/-20 F S/N: TBA
- SCRUBBERS**
 24" Dia. x 72" S/S - MAMP: 655 PSIG @ 300F S/N: 31323211
 24" Dia. x 72" S/S - MAMP: 1310 PSIG @ 300F S/N: 31323213
- BOTTLES**
 18" Dia. x 36" S/S - MAMP: 655 PSIG @ 300F S/N: 31323220
 18" Dia. x 66" S/S - MAMP: 655 PSIG @ 350F S/N: 31323222
 12 3/4" Dia. x 24" S/S - MAMP: 1310 PSIG @ 300F S/N: 31323224
 14" Dia. x 32" S/S - MAMP: 1930 PSIG @ 350F S/N: 31323228
- CONTROL PANEL**
 (1) SPARTAN CONTROLS REMAUE 5005

GENERAL NOTES:

1. ALL TAIL DIMENSIONS FROM REFERENCE POINT.

SHIPPING WEIGHTS			KG.	LBS.		
ENGINE			6355	14012		
COMPRESSOR (C/W CYLINDERS)			4100	9040		
COOLER			5829	12850		
VESSLS			2697	5945		
SKID			22436	49471		
MISC. & LIQUIDS			9127	20125		
BUILDING			2722	6000		
CRANE			1498	3303		
EXISTING SKID			-	-		
TOTAL SHIPPING WT.			54719	120646		
SHIPPED LOOSE ITEMS			45	100		
TOTAL UNIT WEIGHT			54764	120746		
UNIT DIMENSIONS			LENGTH	WIDTH	HEIGHT	
	mm	ft/in	mm	ft/in	mm	ft/in
MAIN SKID w/ ALL EQUIP. MOUNTED	10814	35'-5 3/4"	6706	22'-0"	6619	18'-6"
SHIPPING DIMENSIONS	10814	35'-5 3/4"	6706	22'-0"	6619	18'-6"
COOLER						

ISSUED FOR CONSTRUCTION
 NAME: LJOHNSTON DATE: 08/14/14

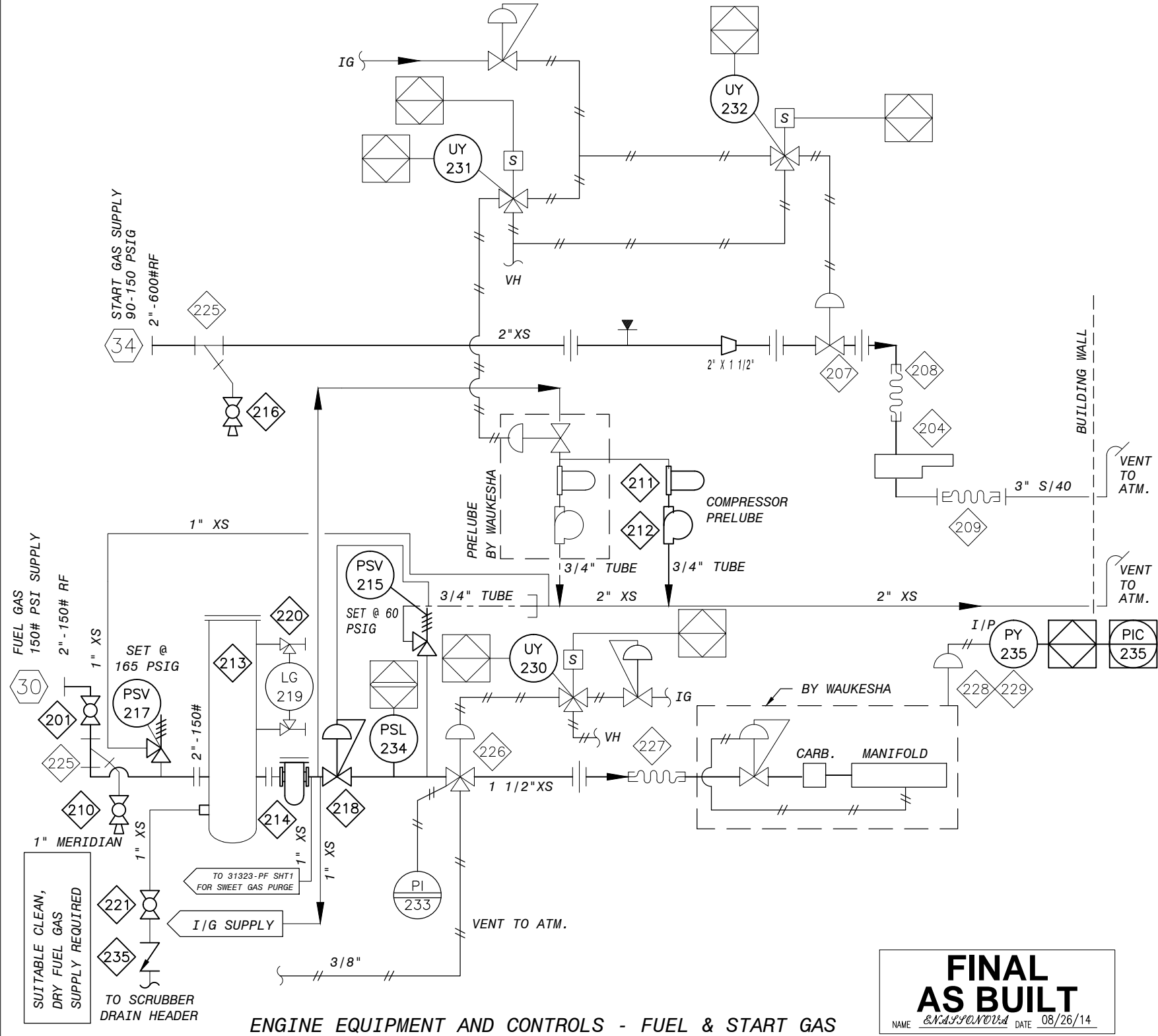
REV.	DESCRIPTION	DATE	BY	APPR.
4	REVISED AS PER CUSTOMER MARK-UPS	08/14/14	LJ	GW
3	ADDED MUFFLER STAND, MOVED PLATFORM	07/29/14	EN	GW
2	ADDED PLATFORM & LADDER	01/14/14	EN	GW
1	MOVED BLOWDOWN	12/19/13	EN	GW
0	ISSUED FOR CONSTRUCTION	12/09/13	EN	GW

ENERFLEX		TITLE: PLAN VIEW GENERAL ARRANGMENT	
DRAWN BY: E.NASSONOVA	DATE: 12/03/13	FOR: SUMMIT MIDSTREAM	
CHKD. BY: A. ROBINSON	SCALE: 1:20	c/o ZION ENGINEERING	
APPR. BY: G. WITTMER	W.O. No:	NORTH DAKOTA	
		(JOB# E001480-01)	
CUST. PO No:	DWG. No: 31323-GA	SHEET No: 1 OF 3	REV: 4

ITEM	SEC.	QTY.	CODE No.	DESCRIPTION
235	05	1	BNE-48T10	PISTON CHECK VALVE, NEWCO 48TF5Z, 1" NPT., 800# WOG
236	05	1	BBH-1008	BRAIDED STEEL HOSE, 1" NPTM ENDS, 8' LONG

BILL OF MATERIAL

ITEM	SEC.	QTY.	CODE No.	DESCRIPTION
201	05	1	BNU-T320	BALL VALVE, 2" NPT NUTRON T3R20S20B 2000# WOG RP CS C/W HDL
204	05	1	NPN-7	AIR/GAS STARTER, VANE TYPE, INERTIA ENGAGEMENT, POWER QUICK DS61RH1
205	05	1	BIR-HDL2	LUBRICATOR, I.R. HDL-2
206	05	1	BWI-X02	OIL RESERVOIR, WILKERSON X02-04-F00 1/2" NPT
207	05	1	BIR-SRV150	GAS VALVE, 1-1/2" NPT IR SRV-150 ALUMINUM BODY 225 PSI MWP
208	05	1	BBH-1412	BRAIDED STEEL HOSE, 1-1/2" NPTM ENDS, 12" LONG
209	05	1	BBH-2012	BRAIDED STEEL HOSE, 3" NPTM ENDS, 12" LONG
210		1		BALL VALVE, 1" NPT, 2000# WOG, RP, CS
211	02	1	BWI-L26	LUBRICATOR, WILKERSON L26-04-600 1/2" NPT OIL FOG TYPE
212	02	1	BIR-MVA017	GAS MOTOR, IR MVA 017B NEMA C FACE 5/8" SHAFT
213	05	1		GAS FILTER, 8"
214	05	1	BBA-A60	GAS FILTER, BALSTON 960 1-1/2" NPT 250 PSIG MWP WI 200-35-DX ELEMENT AND 1/8" NPT PLUGGED DRAIN
215	05	1	BFI-R180560	RELIEF VALVE, 1" NPT FISHER 1805-1, C.I., 20-125 PSI SET 60 PSI
216	05	2	NPN-13	1/4" NPT NEEDLE VALVE, WHITEY 520VM4-F4
217	05	1	BME-8122	RELIEF VALVE, MERCER SERIES 8100 2" X 2" NPT (ORIFICE AREA = 0.472 SQ. IN.) SET AT 165 PSIG
218	05	1	BFI-627450	REGULATOR, 1" NPT FISHER 627-498 D.I. 1/2" OR 35-80 PSI SPR, SET 50 PSI, 150-500 PSI SUPPLY
219	05	1	BJE-11R20	LEVEL GAUGE, JERGUSON 11-R-20 CS WI REFLEX FLAT GLASS
220	05	1	BJE-146	SET GAUGE VALVES, JERGUSON 146 3/4" NPT CS
221	05	1	BNU-T310	BALL VALVE, 1" NPT NUTRON T3R10S20B 2000# WOG RP CS C/W HDL
223	05	2	NPN-18	REGULATOR, 1" NPT FISHER 627-551 WITH CADMIUM SPRING, 1/4" ORIFICE, SET 150 PSIG 70-150 PSIG SUPPLY
224	05	1	BFE-668	SHUTTLE VALVE, PRE/POST LUBE, FESTO MODEL 668 20S-1/4" B, WI NPT ADAPTORS
225	05	2	BSA-YSCS20	STRAINER, SARCO Y TYPE CS 2" NPT 1/32" SS SCREEN
226	05	1	BAM-4418B3	GAS VALVE, 1-1/2" NPT AMOT 4418C5A6C 316 SS, 3 WAY, 600 PSI MWP, NACE
227	05	1	BBH-1412	BRAIDED STEEL HOSE, 1-1/2" NPTM ENDS, 12" LONG
228	05	1	BFI-51320	AIR/GAS ACTUATOR, FISHER 513-20, 3/4" TRIM 3-15 PSI
229	05	1	BEN-3901	ACTUATOR BRACKET FOR FISHER 513-20 ON LVHP GOVERNOR PER STD. DWG. 06.9301 (PAM-E79)
230		1		SOLENOID VALVE, 3 WAY, 1/4" PORT, 24VDC, ASCO
231		1		SOLENOID VALVE, 3 WAY, 1/4" PORT, 24VDC, ASCO
232		1		SOLENOID VALVE, 3 WAY, 1/4" PORT, 24VDC, ASCO
233	16	1	BCV-P2S010	PI, CVS 2-1/2" DIAL LF 316 B. TUBE & SKT, PANEL MOUNT 1/4" NPTM DUAL SCALE 0-100 PSI
234	06	1	BAM-1672ES	PRESSURE SWITCH, CCS 6900GZE, SET @ 20 PSIG DEC.



ENGINE EQUIPMENT AND CONTROLS - FUEL & START GAS

FINAL AS BUILT
 NAME: *ENR.FLEX* DATE: 08/26/14

SERVICE DWGS SHEET
1 OF 1
 LAST DRAWING SAVE DATE:

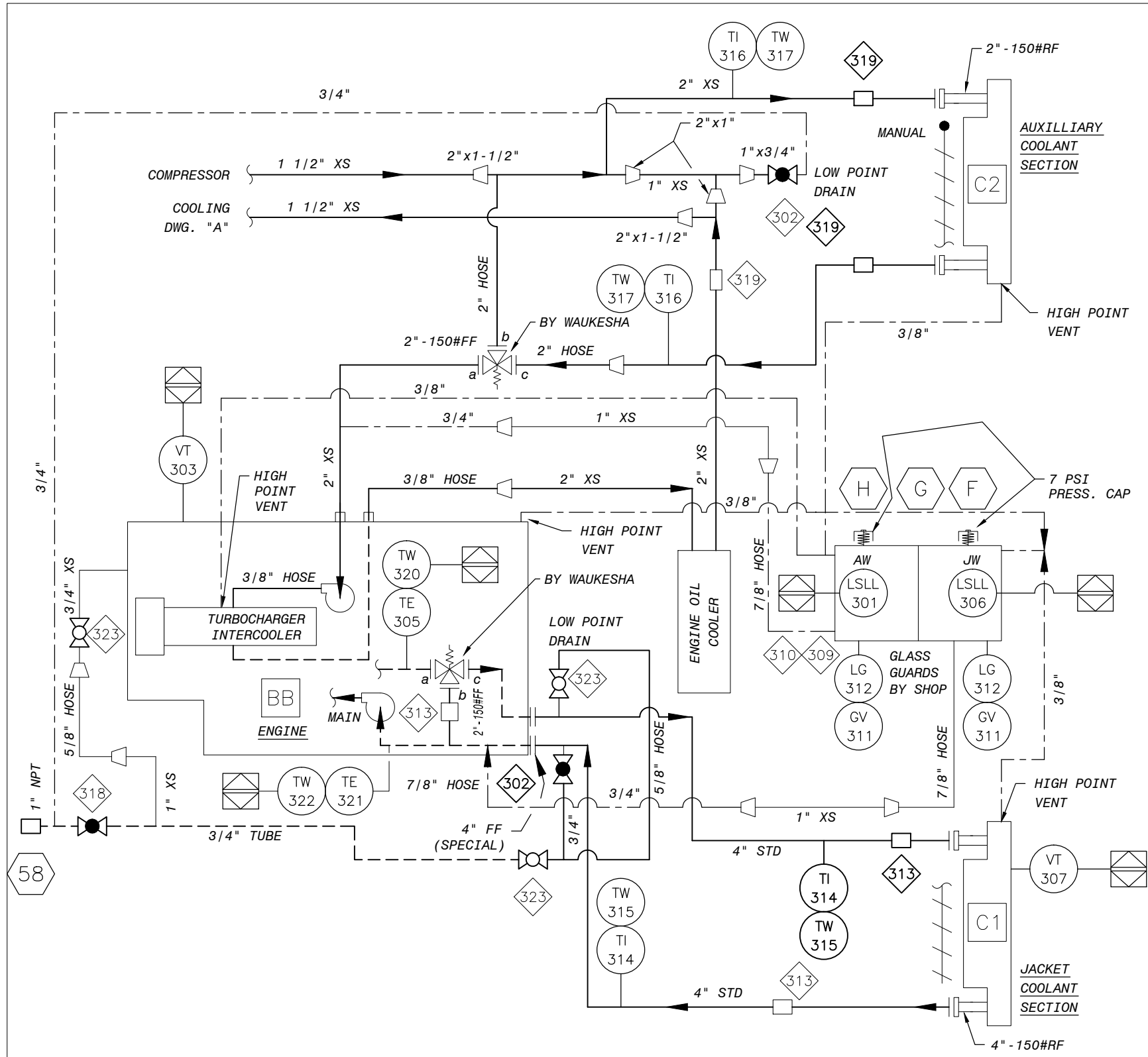


CUSTOMER:
ENERFLEX RENTALS
 JOB No.: 31323-01S

Rev.	Description	By	Date
3	FINAL AS BUILT	EN	08/26/14
2	INSTRUMENT TAGS & I/G CONNECTION ADDED	EN	01/07/13
1	UPDATED BOM	EN	12/27/13
0	ISSUED FOR CONSTRUCTION	EN	12/16/13

DWN BY: YB
 DATE: 12/09/13
 CHK'D BY: GW
 DATE: 12/10/13

TITLE:
**SCHEMATIC
 ENGINE EQUIPMENT AND CONTROLS
 - FUEL AND START GAS SYSTEM**
 DWG. **31323-SF-B** REV. **3**



ENGINE EQUIPMENT AND CONTROLS - COOLING SYSTEM

FINAL AS BUILT
 NAME: *E.N. APPROVED* DATE: 09/19/14

BILL OF MATERIAL

ITEM	SEC.	QTY.	CODE No.	DESCRIPTION
301		1		LEVEL SWITCH, AUX. COOLANT, MURPHY L1200, 2" NPT
302	05	2	BNE-28T06	GLOBE VALVE, 3/4" NPT NEWCO 28TFS2 800# WOG CS
303	06	1	-	VIBRATION TRANSMITTER, 4-20 MA, IMI EX 640B72
305	06	1	-	THERMOCOUPLE, K-TYPE
306	08	1	-	LEVEL SWITCH, JW COOLANT, MURPHY L1200, 2" NPT
307	08	1		VIBRATION TRANSMITTER, 4-20 MA, IMI EX 640B72
308	08	1	BAE-CR20	STEEL BRAIDED RUBBER HOSE, 2" AEROQUIP CR113, 350 PSI
309	08	1	BEN-3204R	SURGE/DE-AERATION TANK, THREE COMPARTMENTS 204 L (RIGHT) DWG. #08.1302, SHTS 1 & 3 (SUR-07R)
310	08	1	NPN-6	SUPPORT BRACKET FOR COOLER MOUNTED SURGE TANK TO SUIT
311	08	2	BPE-170A	SET GAUGE VALVES, PEACOCK 170A 1/2" NPT MI
312	08	2	BJE-G22	GAUGE GLASS, JERGUSON 5/8" DIA X 22-1/8" LONG
313	08	3	BDR-C40	SLEEVE COUPLING, 4" DRESSER STYLE 38
314	16	2	BPF-3BM41	TEMPERATURE INDICATOR, PFORTNER 3BM4, 4" STEM, BACK MOUNT, 3" DIAL, DUAL SCALE, 0-250 DEG. F
315	16	2	BTW-064	THERMOWELL, 1/2" X 3/4" NPTM X 4" LONG 304SS
316	16	2	BPF-3BM21	TEMPERATURE INDICATOR, PFORTNER 3BM2.5 2-1/2" STEM, BACK MOUNT, 3" DIAL, DUAL SCALE, 0-250 DEG. F
317	16	2	BTW-062	THERMOWELL, 1/2" X 3/4" NPTM X 2-1/2" LONG 304SS
318	05	1	BNE-28T10	GLOBE VALVE, 1" NPT NEWCO 28TFS2, 800# WOG C.S.
319	05	3	BDR-C20	SLEEVE COUPLING, 2" DRESSER STYLE 90 STRAIGHT
320		1		THERMOWELL, 3/4"
321		1		THERMOCOUPLE, K-TYPE
322		1		THERMOWELL, 3/4"
323		3		BALL VALVE, 3/4" NPT, 2000 WOG, RP

SERVICE DWGS SHEET
1 OF 1
 LAST DRAWING SAVE DATE:

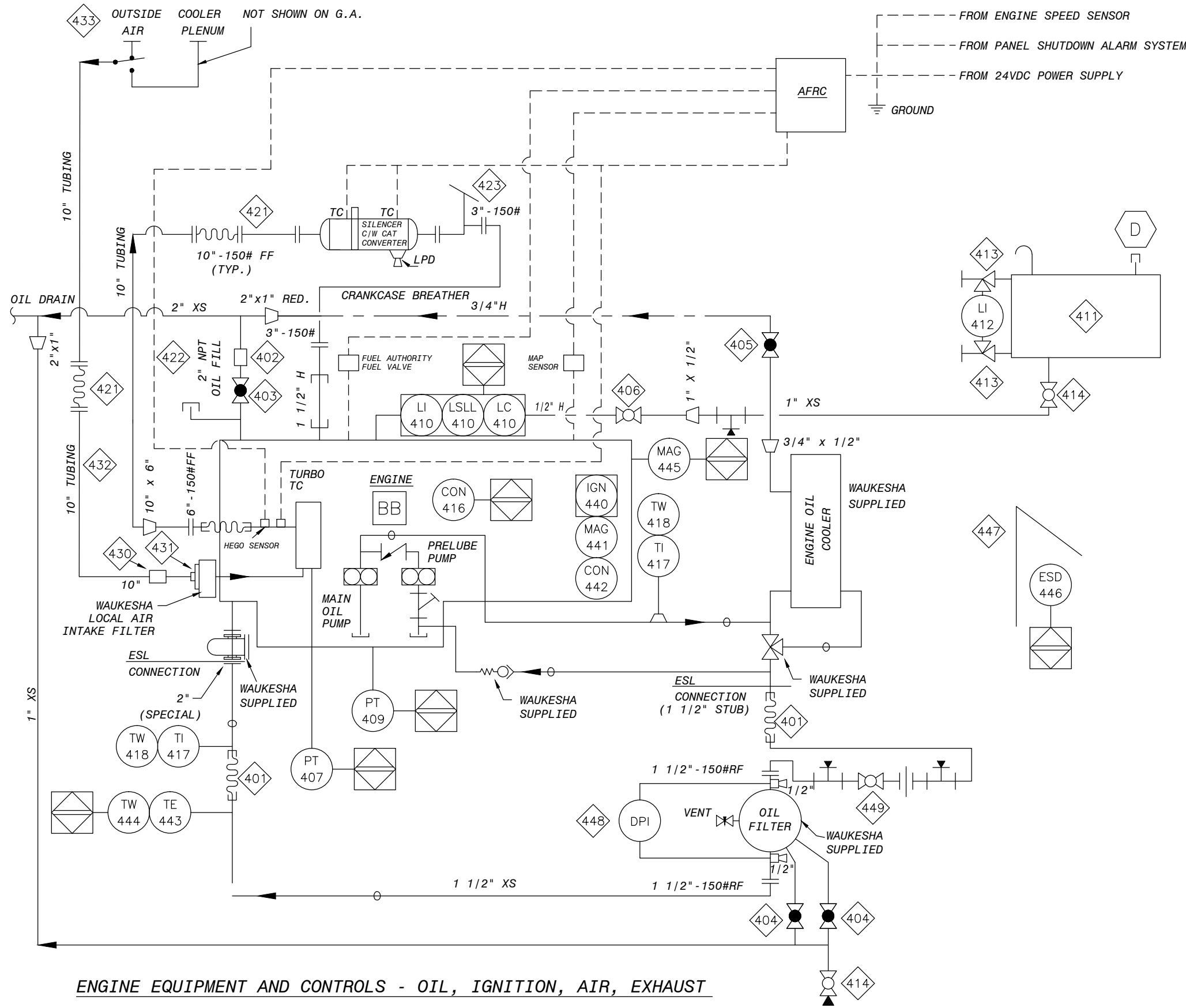


CUSTOMER:
ENERFLEX RENTALS
 JOB No.: 31323-01S

Rev.	Description	By	Date
3	FINAL AS BUILT	EN	09/19/14
2	INSTRUMENT TAG UPDATES	EN	01/07/13
1	UPDATED BOM	EN	12/27/13
0	ISSUED FOR CONSTRUCTION	EN	12/16/13

DWN BY: YB
 DATE: 12/10/13
 CHK'D BY: GW
 DATE: 12/10/13

TITLE:
SCHEMATIC
ENGINE EQUIPMENT AND CONTROLS
COOLING SYSTEM: WAUKESHA F-VHP-GSI SERIES
 DWG. **31323-SF-C** REV. **3**



ENGINE EQUIPMENT AND CONTROLS - OIL, IGNITION, AIR, EXHAUST

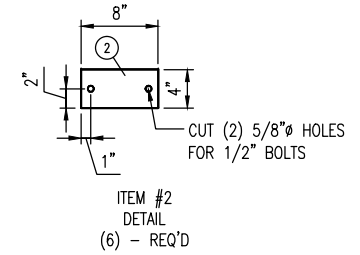
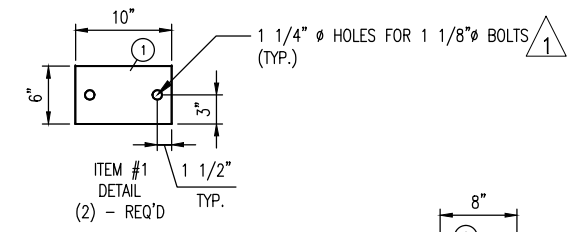
BILL OF MATERIAL

ITEM	SEC.	QTY.	CODE No.	DESCRIPTION
401	05	2	BBH-1412	HOSE, 1-1/2" NPTM ENDS, 12" LONG
402	05	1	BDR-C20L	SLEEVE COUPLING, 2" DRESSER STYLE 90, 90° ELBOW
403	05	1	NPN-9	GLOBE VALVE, 2" NPT NEWCO 28TFS2
404	05	2	BNE-28T10	GLOBE VALVE, 1" NPT NEWCO 28TFS2 800# WOG CS
405	05	1	BNE-28T06	GLOBE VALVE, 3/4" NPT NEWCO 28TFS2 800# WOG CS
406	05	1	BNU-T304	BALL VALVE, 1/2" NPT NUTRON T3F05S20B 2000# WOG FP CS WITH HANDLE & LATCH
407		1		PRESSURE TRANSMITTER, WIKA-30 IN/HG-30 PSIG
409	06	1		PRESSURE TRANSMITTER, WIKA, 0-100 PSI
410	06	1		LEVEL CONTROLLER WI SWITCH, KENCO LCE-12
411	02	1	NPN-7	OIL TANK, ESL STANDARD, AS PER DWG. A-51179
412	05	1	NPN-19	5/8" CLEAR, FULL LENGTH JERGUSON LEVEL GAUGE
413	05	1	BPE-170A	SET GAUGE COCKS, PEACOCK 170A
414	05	2	BNU-T310	BALL VALVE, 1" NPT NUTRON T3R10S20B 2000# WOG RP CS WITH HANDLE
416	05	1	BWH-FGL25	PYROMETER WIRING HARNESS, CUSTOM BUILT FOR WUKESHA F-SERIES GL ENGINES, LEADS TO PROJECT 25 FEET BEYOND ENGINE MANIFOLD
417	16	2	BPF-3BM21	TEMPERATURE INDICATOR, PPORTNER 3BM2.5 2-1/2" STEM, BACK MOUNT, 3" DIAL, DUAL SCALE, 0-250 DEG. F
418	16	2	BTW-062	THERMOWELL, 1/2" X 3/4" NPTM X 2-1/2" LONG 304SS
420	05	1	BSI-JAT10EE	MUFFLER, EMIT ELH3050-1010F-3CEE-241, END IN END OUT 10"-150#, W/ CATALYST
421	05	2	BEN-EF10	FLEX EXHAUST CONNECTION, 10"-150#, 12" LONG, CS BELLOWS
422	05		NPN-3	EXHAUST LINE, 10" DIA. TO BLDG. EXTERIOR
423	05	1	NPN-4	EXHAUST STACK, 6' LONG (SHIP LOOSE)
430	05	1	BDO-P11H10	RUBBER HUMP HOSE CONNECTOR, DONALDSON P11-1414, 10" STRAIGHT
431	05	1	BLS-AFA3T10	AIR FILTER ADAPTOR, L & S HANDCRAFT 16 GA STEEL FOR FLVHP 'GL', 10" O.D.
432	05	1	NPN-1	10" INLET AIR LINE FROM OUTSIDE BLDG. WALL
433	05	1	NPN-11	WARM AIR DRAW DAMPER
434				
440	05	1	NPN-20	SHIELDED IGNITION, CEC, CSA DIV 2 WI, HARNESS & INTEGRAL COIL-PLUGS FOR WAUK VHP 16 G/GSI/GL (INSTALLED)
441	05	1	NPN-22	MAGNETIC PICKUP FOR CEC IGNITION NODULE
442	05	1	NPN-21	CONNECTOR HARNESS TO CEC IGNITION
443		1		THERMOCOUPLE, K-TYPE
444		1		THERMOWELL, 3/4"
445		1		MAGNETIC PICK-UP FOR CONTROL PANEL
446		1		ESD SWITCH
447		1		ESD SWITCH HOOD
448		1		GAUGE, DIFFERENTIAL PRESSURE, MIDWEST MODEL:20 0-30 PSIG
449		1		BALL, VALVE, NUTRON 1 1/2" NPT, 2000# WOG, RP CS

FINAL AS BUILT
 NAME ENERFLEX DATE 09/18/14

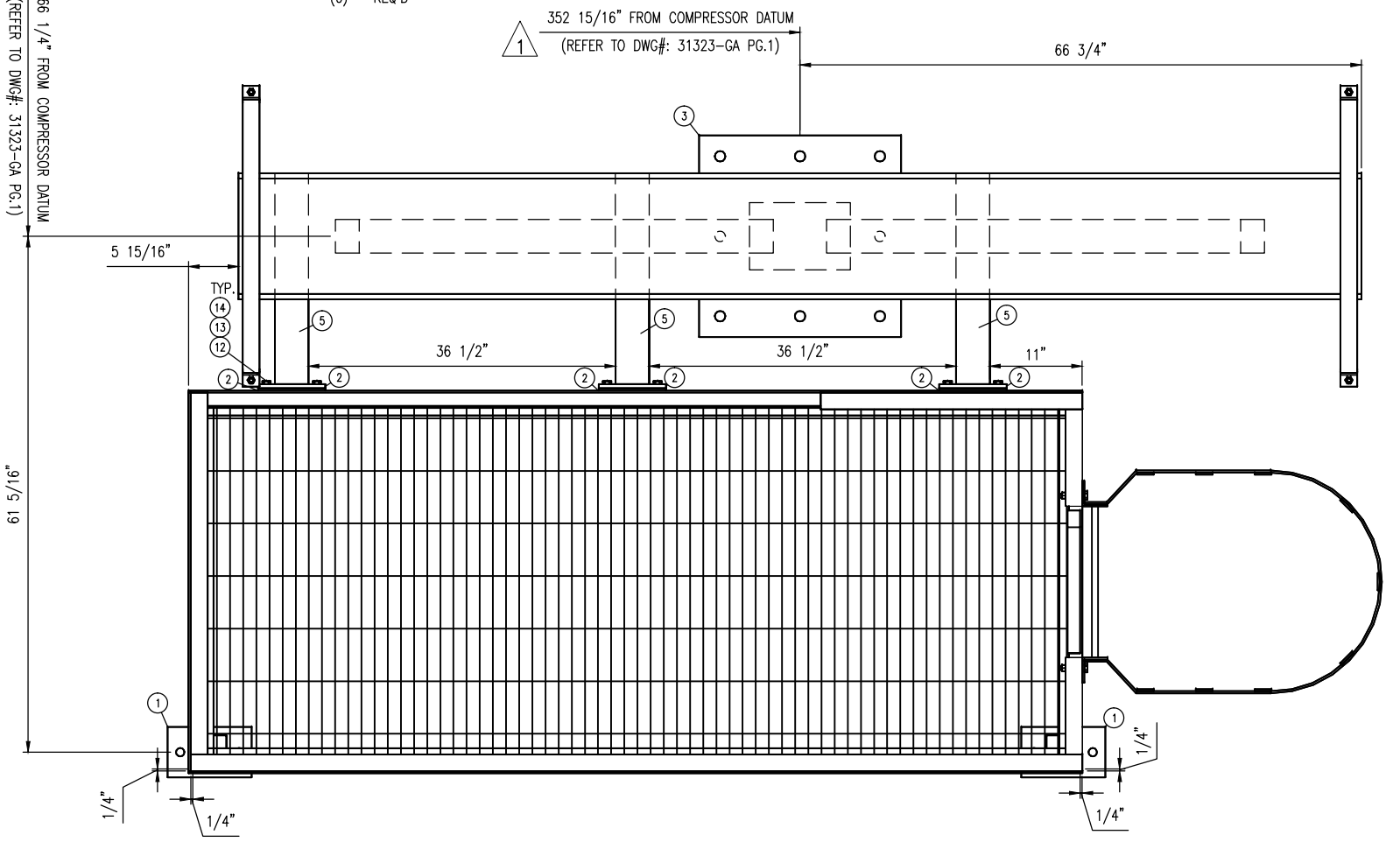
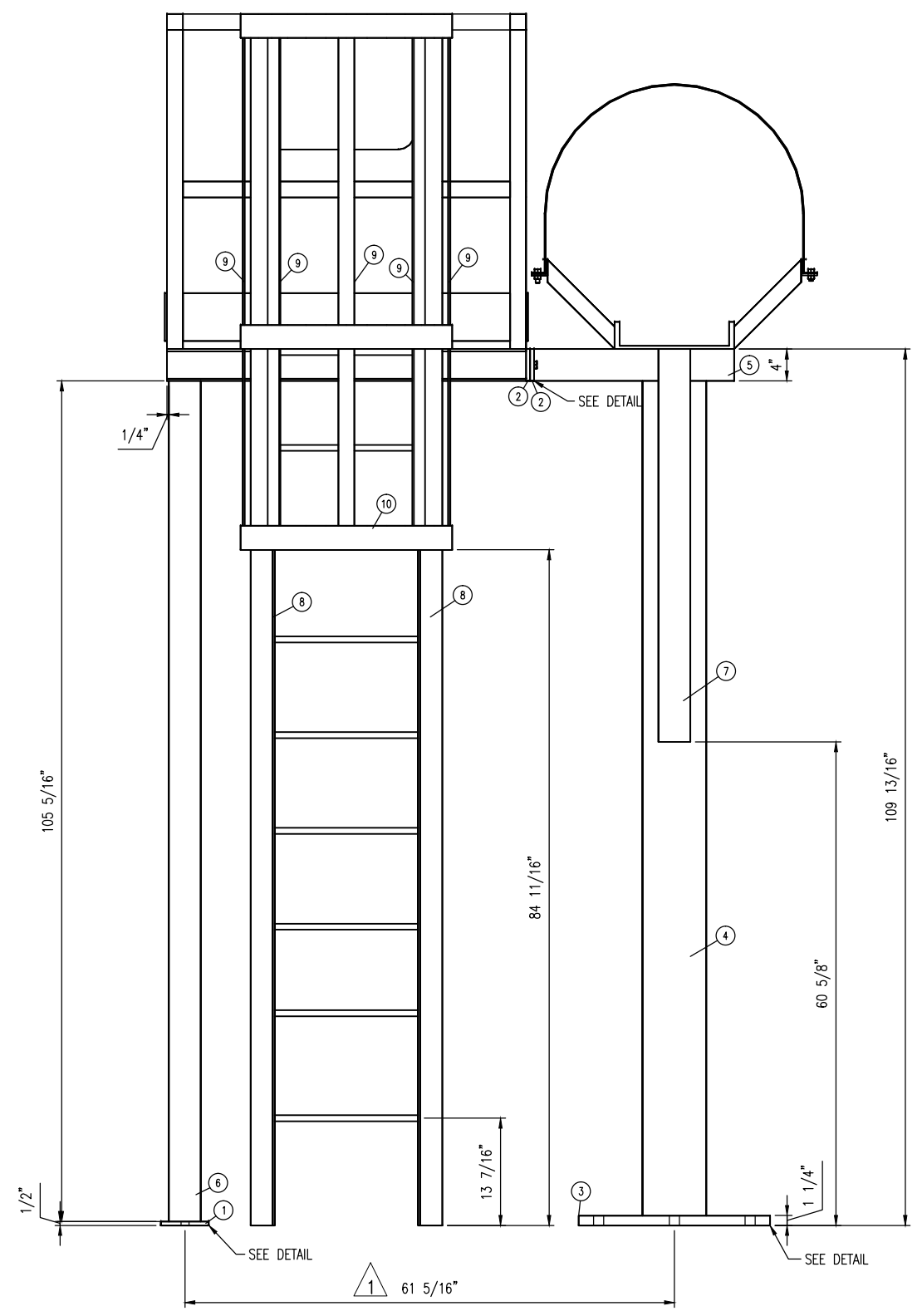
SERVICE DWGS SHEET 1 OF 1	ENERFLEX	CUSTOMER:	3	AS BUILT	EN	09/18/14	DWN BY:	EN	TITLE:	SCHMATIC
		ENERFLEX RENTALS	2	ADDED MANIFOLD PRESSURE TRANSMITTER	EN	01/07/13	DATE:	12/10/13	ENGINE EQUIPMENT AND CONTROLS	
LAST DRAWING SAVE DATE:			1	UPDATED MUFFLER INFORMATION	EN	12/27/13	CHK'D BY:	GW	WUKESHA F SERIES VHP-GSI: OIL, IGNITION, AIR, EXHAUST	
		JOB No.: 31323-01S	0	ISSUED FOR CONSTRUCTION	EN	12/16/13	DATE:	12/10/13	DWG.	31323-SF-D
			Rev.	Description	By	Date			REV.	3

BILL OF MATERIAL					
MARK	QTY	LONG ANNOTATION	LENGTH	MATERIAL	PART_NUMBER
1	2	PLATE, 1/2" SMOOTH X 10.0000 X 6.0000	10	G40.2144W	040-HD-0050
2	6	PLATE, 1/2" SMOOTH X 8.0000 X 4.0000	8	G40.2144W	040-HD-0050
3	1	PLATE, 1-1/4" SMOOTH X 24.0000 X 24.0000	24	G40.2144W	040-HD-0125
4	1	TUBING, 12"x8", 3/8" THK	108	G40.21350W	020-HD-1200-0800-0037
5	3	TUBING, 4"x4", 3/8" THK	25	G40.21350W	020-HD-0400-0400-0037
6	2	TUBING, 4"x4", 3/8" THK	105	G40.21350W	020-HD-0400-0400-0037
7	2	TUBING, 4"x4", 3/8" THK	69	G40.21350W	020-HD-0400-0400-0037
8	9	ANGLE, 3" X 3", 1/4" THK (SHORTEN EXISTING)	151	G40.2144W	005-HD-0300-0300-0025
9	6	FLAT BAR, 2" X 1/4" THK (SHORTEN EXISTING)	67	G40.2144W	010-HD-0200-0025
10	3	FLAT BAR, 3" X 1/4" THK (MOVE EXISTING UP)	100	G40.2144W	010-HD-0300-0025
11	3	FLAT BAR, 3" X 1/4" THK (MOVE EXISTING UP)	100	G40.2144W	010-HD-0300-0025
12	6	BOLT, Hvy HEX, UNC, 1/2" X 1 1/2" LG	1	GR.8	401-ACC-0050-0150
13	6	NUT, Hvy HEX, UNC, 1/2"	-	GR.8	403-ACC-0050
14	6	WASHER, FLAT, 1/2"	-	C.S.	402-FCG-0050

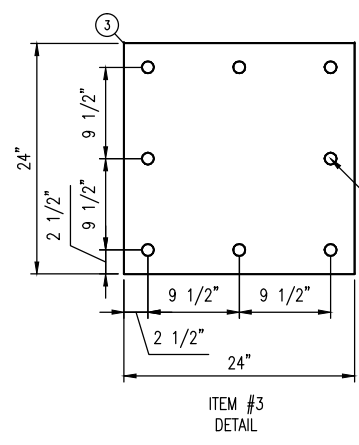


166 1/4" FROM COMPRESSOR DATUM
(REFER TO DWG#: 31323-GA PG.1)

352 15/16" FROM COMPRESSOR DATUM
(REFER TO DWG#: 31323-GA PG.1)



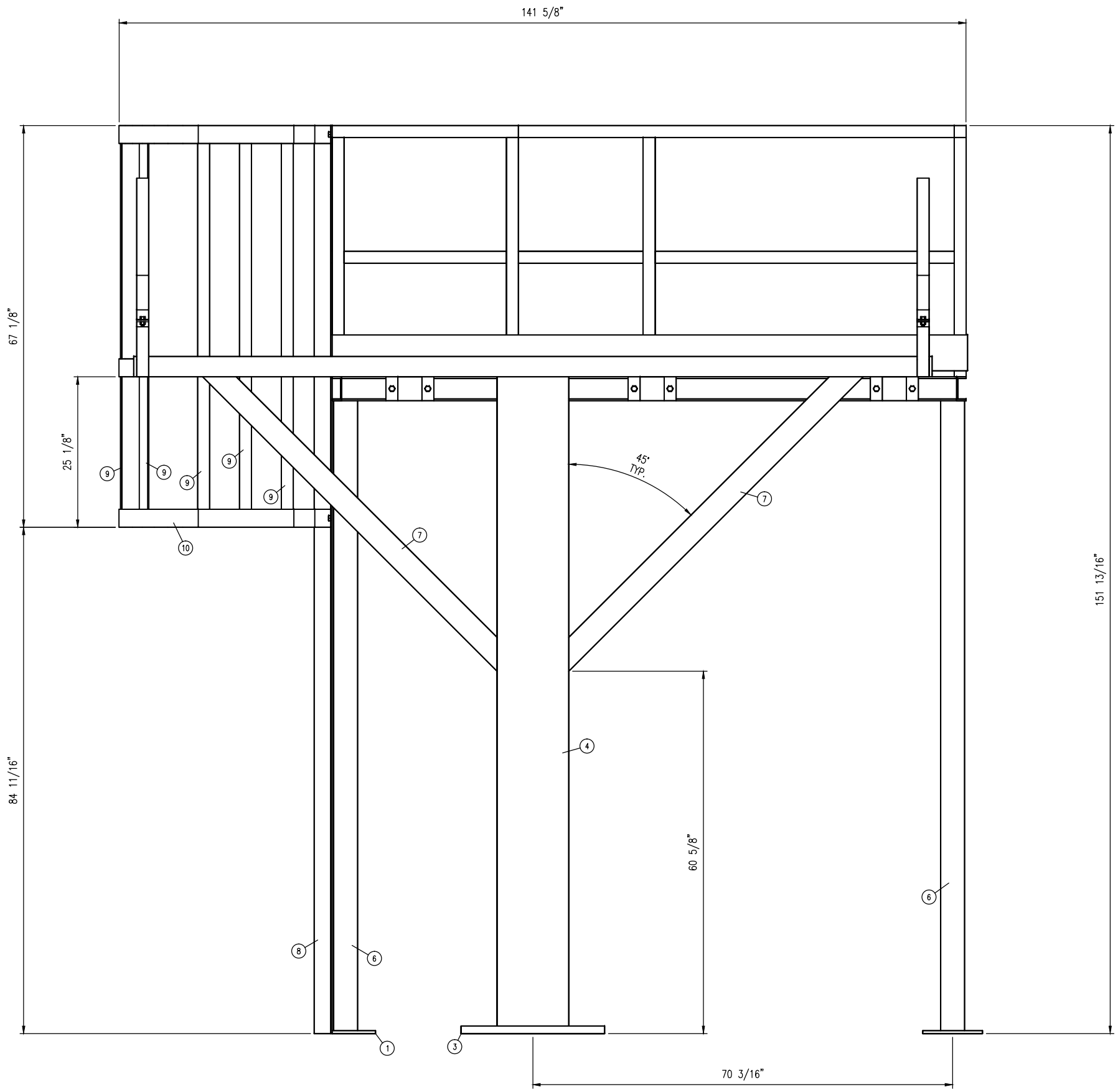
PLAN VIEW



ISSUED FOR CONSTRUCTION
NAME: LJOHNSTON DATE: 08/14/14

REV.	DESCRIPTION	DATE	BY	APPR.
1	REVISED AS PER CUSTOMER MARK-UPS	08/14/14	LJ	GW
0	ISSUED FOR CONSTRUCTION	07/18/14	EN	GW

ENERFLEX		TITLE: MUFFLER STAND	
FOR: SUMMIT MIDSTREAM	FOR: c/o ZION ENGINEERING	NORTH DAKOTA (JOB# E001480-01)	
DRAWN BY: E.NASSONOVA	DATE: 07/18/14		
CHKD. BY: G.GREEN	SCALE: 1:10		
APPR. BY: G. WITTNER	W.O. No:		
CUST. PO No:	DWG. No: 31323-MS	SHEET No: 3 OF 3	REV: 1



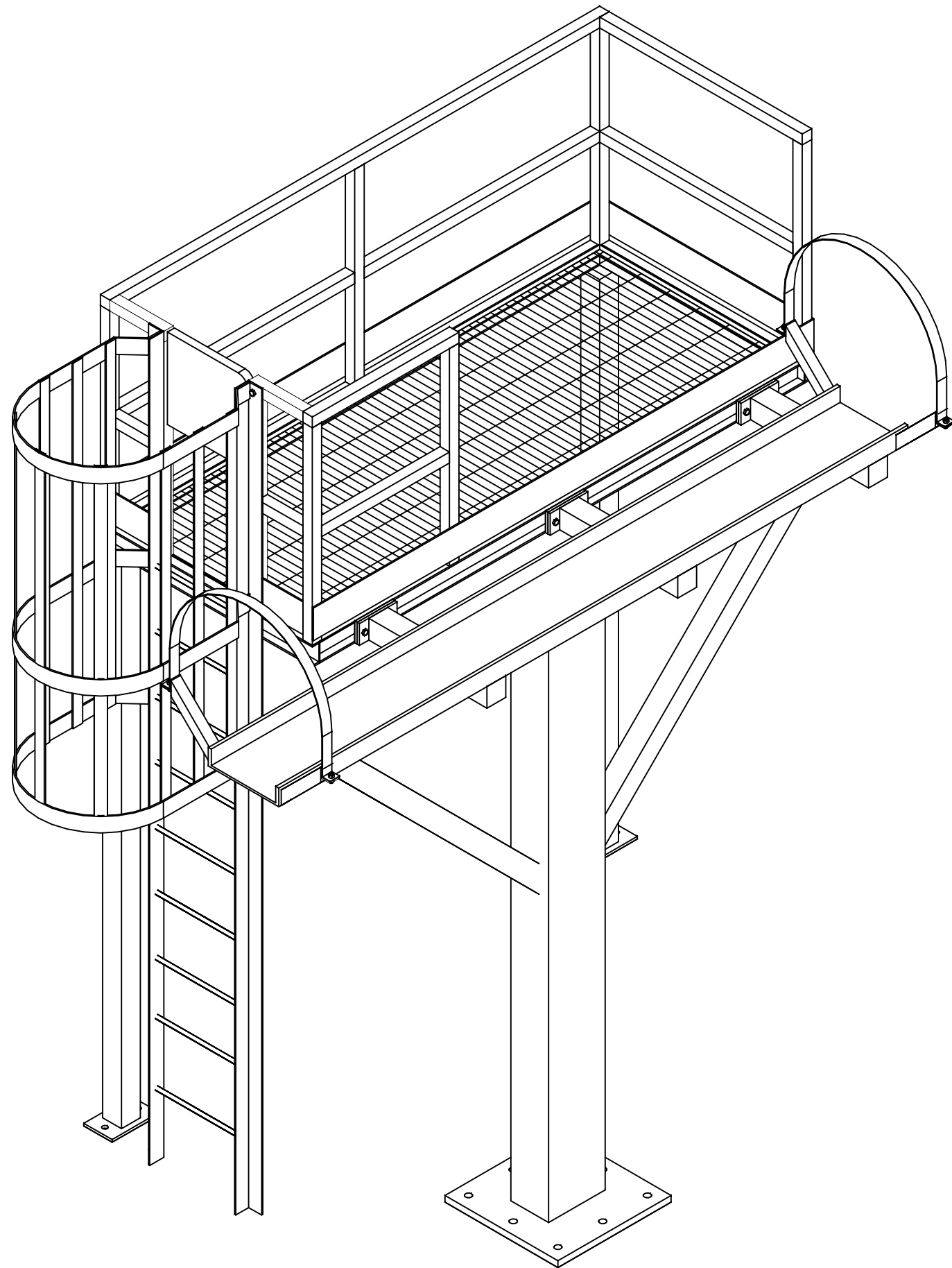
FRONT VIEW

BILL OF MATERIAL					
MARK	QTY	LONG ANNOTATION	LENGTH	MATERIAL	PART_NUMBER
1	2	PLATE, 1/2", SMOOTH X 10.0000 X 6.0000	10	G40.2144W	040-HD-0050
2	6	PLATE, 1/2", SMOOTH X 8.0000 X 4.0000	8	G40.2144W	040-HD-0050
3	1	PLATE, 1-1/4", SMOOTH X 24.0000 X 24.0000	24	G40.2144W	040-HD-0125
4	1	TUBING, 12"x8", 3/8" THK	108 9/16	G40.21350W	020-HD-1200-0800-0037
5	3	TUBING, 4"x4", 3/8" THK	25 1/16	G40.21350W	020-HD-0400-0400-0037
6	2	TUBING, 4"x4", 3/8" THK	105 5/16	G40.21350W	020-HD-0400-0400-0037
7	2	TUBING, 4"x4", 3/8" THK	69 5/8	G40.21350W	020-HD-0400-0400-0037
8	9	ANGLE, 3" X 3", 1/4" THK (SHORTEN EXISTING)	151 13/16	G40.2144W	005-HD-0300-0300-0025
9	6	FLAT BAR, 2" X 1/4" THK (SHORTEN EXISTING)	67 1/8	G40.2144W	010-HD-0200-0025
10	3	FLAT BAR, 3" X 1/4" THK (MOVE EXISTING UP)	100	G40.2144W	010-HD-0300-0025
11	3	FLAT BAR, 3" X 1/4" THK (MOVE EXISTING UP)	100	G40.2144W	010-HD-0300-0025
12	6	BOLT, Hvy HEX, UNC, 1/2" X 1 1/2" LG	1 1/2	GR.8	401-ACCG-0050-0150
13	6	NUT, Hvy HEX, UNC, 1/2"	-	GR.8	403-ACCG-0050
14	6	WASHER, FLAT, 1/2"	-	C.S.	402-FCG-0050

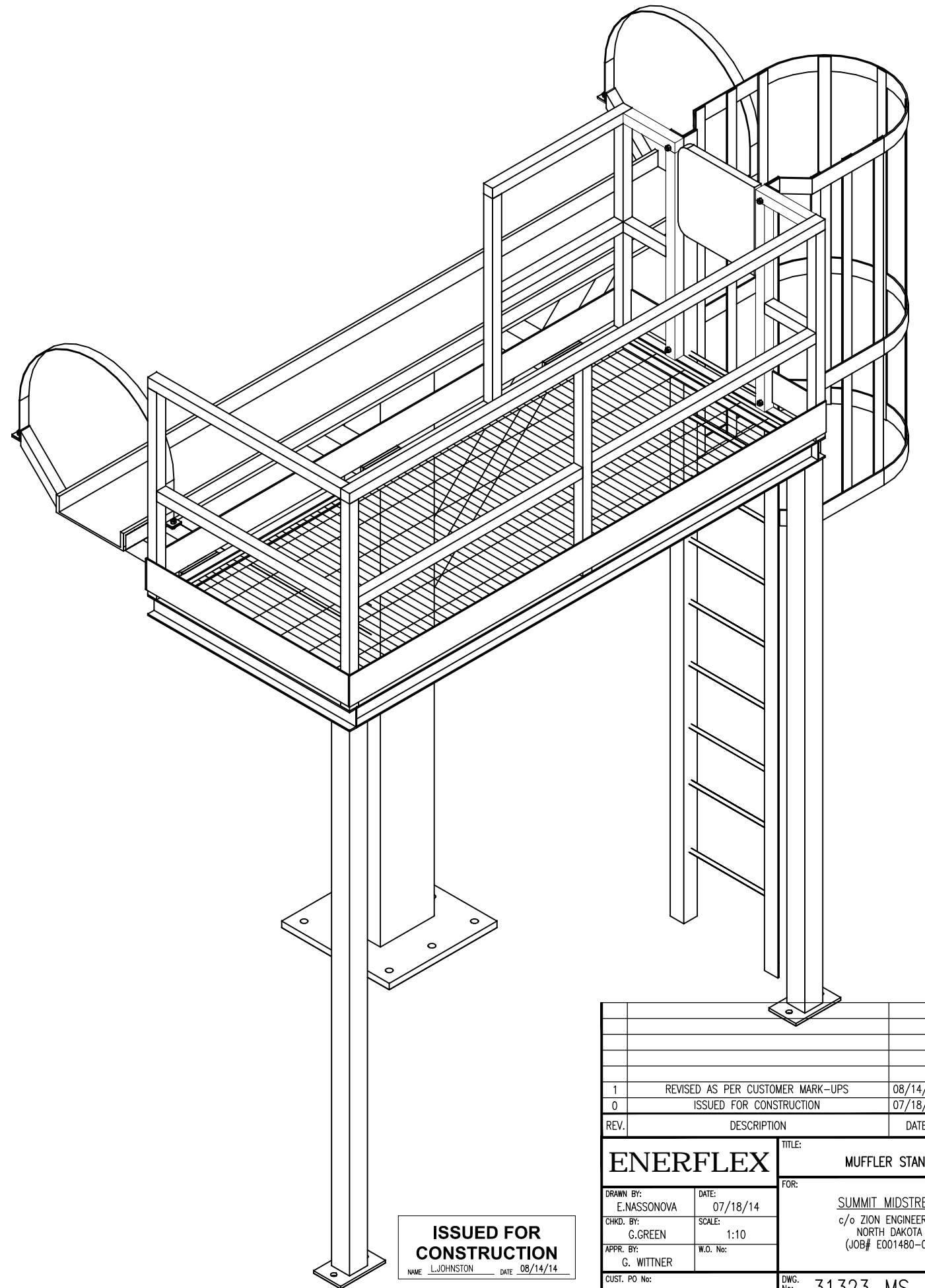
ISSUED FOR CONSTRUCTION
 NAME: L. JOHNSTON DATE: 08/14/14

REV.	DESCRIPTION	DATE	BY	APPR.
1	REVISED AS PER CUSTOMER MARK-UPS	08/14/14	LJ	GW
0	ISSUED FOR CONSTRUCTION	07/18/14	EN	GW

ENERFLEX		TITLE: MUFFLER STAND	
DRAWN BY: E. NASSONOVA CHKD. BY: G. GREEN APPR. BY: G. WITTNER	DATE: 07/18/14 SCALE: 1:10 W.O. No:	FOR: SUMMIT MIDSTREAM c/o ZION ENGINEERING NORTH DAKOTA (JOB# E001480-01)	
CUST. PO No:	DWG. No: 31323-MS	SHEET No: 2 OF 3	REV: 1



3D VIEW



ISSUED FOR CONSTRUCTION
 NAME: L.JOHNSTON DATE: 08/14/14

REV.	DESCRIPTION	DATE	BY	APPR.
1	REVISED AS PER CUSTOMER MARK-UPS	08/14/14	LJ	GW
0	ISSUED FOR CONSTRUCTION	07/18/14	EN	GW

ENERFLEX		TITLE: MUFFLER STAND	
DRAWN BY: E.NASSONOVA CHKD. BY: G.GREEN APPR. BY: G. WITTNER CUST. PO No:	DATE: 07/18/14 SCALE: 1:10 W.O. No:	FOR: SUMMIT MIDSTREAM c/o ZION ENGINEERING NORTH DAKOTA (JOB# E001480-01)	
DWG. No: 31323-MS		SHEET No: 3 OF 3	REV: 1