

**PROJECT DESCRIPTION**

ONE (1) NATURAL GAS COMPRESSOR PACKAGE  
 FOR: EOG RESOURCES LTD.  
 LOCATION NAME: CLARKS CREEK FACILITY  
 MOUNTRAIL COUNTY, ND  
 SEC 7 TOWNSHIP 151N RANGE 94W

**FABRICATED BY:**

ENERFLEX SYSTEMS INC.  
 CALGARY, ALBERTA, CANADA

**TANK CAPACITIES**

GLYCOL STORAGE TANK: 109 US GALLONS  
 WASTE OIL STORAGE TANK: 109 US GALLONS  
 COMPR. LUBE OIL DAYTANK: 56 US GALLONS  
 ENGINE LUBE OIL DAYTANK: 56 US GALLONS

**DESIGN CRITERIA & APPLICABLE CODES**

SITE ELEVATION: 1800 FT ABOVE MEAN SEA LEVEL  
 BAROMETRIC PRESSURE: 13.753 PSIA  
 AMBIENT TEMPERATURE: MAXIMUM 100°F  
 MINIMUM -20°F  
 WIND SPEED: MAXIMUM 160 km/hr  
 PROCESS INLET: DESIGN 230 PSIG @ 300°F  
 PROCESS FINAL DISCHARGE: DESIGN 1932 PSIG @ 350°F  
 INSTRUMENT GAS: MINIMUM PRESSURE 50 PSIG  
 MAXIMUM PRESSURE 150 PSIG  
 APPLICABLE CODE: QUALITY FILTERED/DRY, 50°F MAXIMUM DEW POINT  
 CODE PIPING B31.3 - LATEST EDITION  
 NON-CODE PIPING EFX C01, 1mm CA  
 VESSEL ASME SECTION VIII  
 EXCHANGER ASME SECTION VIII  
 STRUCTURAL AWS D1.1  
 ELECTRICAL NEC  
 REGISTRATION: VESSEL, COOLER AB,BC,SK,NB  
 MISCELLANEOUS: GASKETS CG TYPE, SPIRAL WOUND, GRAPHITE FILLED, 316SS  
 BOLTING STUDS - SA-193-B7, NUTS - SA-194-2H  
 PROCESS PIPE CARBON STEEL  
 UTILITY PIPE CARBON STEEL  
 FLANGES RAISED FACE (UNLESS OTHERWISE NOTED)  
 ORIFICE PLATES REMOVABLE FULL BORE ORIFICE, SUCTION &  
 DISCHARGE FOR EACH CYLINDER  
 TUBING & FITTINGS: PROCESS TUBING - 316(SS) SMLS  
 (SPE-010-TUB) FITTINGS - 316(SS)  
 FERRULES - 316(SS)  
 UTILITY TUBING - 316(SS) SMLS  
 FITTINGS - 316(SS)  
 FERRULES - 316(SS)  
 FRAME INTERNALS TUBING - 316(SS) SMLS  
 FITTINGS - 316(SS)  
 ELECTRICAL: RIGID ALUMINUM CONDUIT  
 SUITABLE FOR USE IN: CLASS 1, DIV 2, GROUP D

**POWER REQUIREMENTS**

ENGINE IGNITION SYSTEM: VOL: 24 VDC  
 CONTROL PANEL: VOL: 24 VDC AMPS: NOM: 4.0 MAX: 10  
 FIRE DETECTION: VOL: 24 VDC AMPS: NOM: 0.1 MAX: 0.3  
 LEL DETECTION: VOL: 24 VDC AMPS: NOM: 0.2 MAX: 0.3  
 LIGHTS: (EXT.) 150W, 120 VAC/3PH/60HZ  
 (INT.) 150W, 120 VAC/3PH/60HZ

**SYSTEM CONSUMABLES**

COMPRESSOR CRANKCASE LUBE OIL: SAE 40, LOW ASH, 15 US GALLONS  
 COMPRESSOR CYLINDER LUBE OIL: SAE 40, LOW ASH  
 ENGINE CRANKCASE LUBE OIL: SAE 40, LOW ASH, 44 US GALLONS  
 GLYCOL: 50% ETHYLENE INHIBITED GLYCOL/WATER SOLUTION  
 IN ENGINE & AUXILIARY JACKET WATER SYSTEMS  
 EJW CAPACITY: 65 US GALLONS  
 AJW CAPACITY: 24 US GALLONS

**DESIGN SPECIFICATION:**

ENERFLEX LTD. (EFX) SCOPE OF SUPPLY ON THIS PROJECT CONSISTS OF ONE SKIDDED GAS COMPRESSOR PACKAGE.  
 PACKAGE CONSISTS OF ONE (1) H24GSI ENGINE DRIVING AN COMPRESSOR-ARIEL JGJ/4, THREE STAGE, SWEET NATURAL GAS COMPRESSOR.  
 PRIMER: -CAC-ENG-SPC-001,FIN-1, ECO PRIME WATER BASED PRIMER, CLOVERDALE 703 SERIES.  
 PAINT: -CAC-ENG-SPC-001, FIN-1, ECOLOGIC WATER BASED INDUSTRIAL ENAMEL  
 COLOR: CARLSBAD CANYON TAN  
 PROCESS PIPING: -5% RADIOGRAPHIC TESTING - RT2  
 -1/16" CORROSION ALLOWANCE  
 -NO PWHT  
 -SSPC-SP3  
 -SPOOLING BETWEEN CONE STRAINER AND COMPRESSOR SUCTION FLANGE SANDBLASTED INTERNALLY SSPC-SP6  
 -NO PICKLING  
 VESSELS: -5% RADIOGRAPHIC TESTING - RT2  
 -NO PWHT  
 -SSPC-SP3  
 -NO PICKLING  
 -SPOOLING BETWEEN CONE STRAINER AND COMPRESSOR SUCTION FLANGE SANDBLASTED INTERNALLY SSPC-SP6

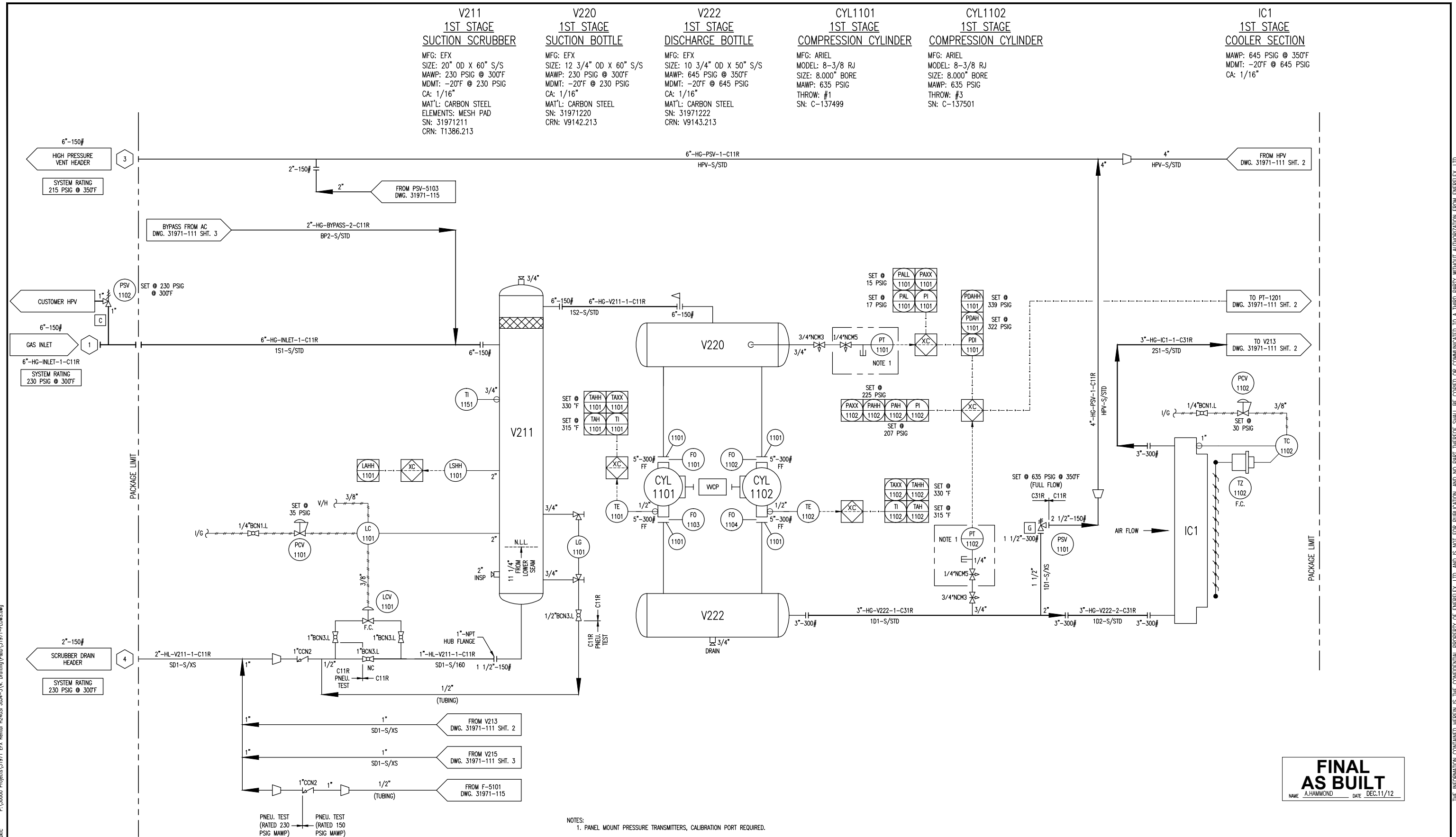
PLOT DATE: Dec 12, 2012, midday F:\30000 Projects\31971 EFX Rental H24GSI UC4-3\4. Drafting\PEAD\31971-FLOWS.dwg

THE INFORMATION CONTAINED HEREIN IS THE CONFIDENTIAL PROPERTY OF ENERFLEX, LTD. AND IS NOT FOR PUBLICATION, AND NO PART THEREOF SHALL BE COPIED OR COMMUNICATED TO A THIRD PARTY WITHOUT AUTHORIZATION FROM ENERFLEX, LTD.



DATE: 05/28/12		SCALE: NTS		DRAWN BY: A.HAMMOND		CHECKED BY: L. Dioguino		APPROVED BY: S. Pritchard			P & I DIAGRAM PROJECT DESCRIPTION & OVERVIEW			
PROJECT MANAGER: S. Pritchard		PROJECT ENGINEER: L. Dioguino		CUST PO		APEGGA PERMIT No: P8651		STEP CODE: N/A					WORK ORDER: 31971	
1 FINAL AS-BUILT		DEC.11/12		MD		LD		DWG NO: 31971-099					SHT: 1	
0 ISSUED FOR CONSTRUCTION		09/17/12		AH		LD		REV: 1					REV: 1	
A ISSUED FOR APPROVAL		08/10/12		SE		LD								
REV	DESCRIPTION		DATE	BY	APR									

PLOT DATE: Dec 12, 2012, mdukk; P:\30000 Projects\31971 EFX Rental H24653 Jc4-3\4. Drafting\PRD\31971-FLOWS.dwg



NOTES:  
1. PANEL MOUNT PRESSURE TRANSMITTERS, CALIBRATION PORT REQUIRED.

**FINAL AS BUILT**  
NAME: A.HAMMOND DATE: DEC.11/12

				DATE: 05/28/12	SCALE: NTS	<b>ENERFLEX</b> Calgary, Alberta, Canada	P & I DIAGRAM PROCESS GAS STAGE #1	DWG NO: 31971-111 SHT: 1 REV: 1	
				DRAWN BY: A.HAMMOND	CHECKED BY: L. Diogino				APPROVED BY: S. Pritchard
				PROJECT MANAGER: S. Pritchard	PROJECT ENGINEER: L. Diogino				
				CUST PO:					
REV	DESCRIPTION	DATE	BY	APR	APEGGA PERMIT No: P8651	STEP CODE: 490 511 591	WORK ORDER: 31971		

THE INFORMATION CONTAINED HEREIN IS THE CONFIDENTIAL PROPERTY OF ENERFLEX, LTD. AND IS NOT FOR PUBLICATION, AND NO PART THEREOF SHALL BE COPIED OR COMMUNICATED TO A THIRD PARTY WITHOUT AUTHORIZATION FROM ENERFLEX, LTD.

V213  
2ND STAGE  
SUCTION SCRUBBER

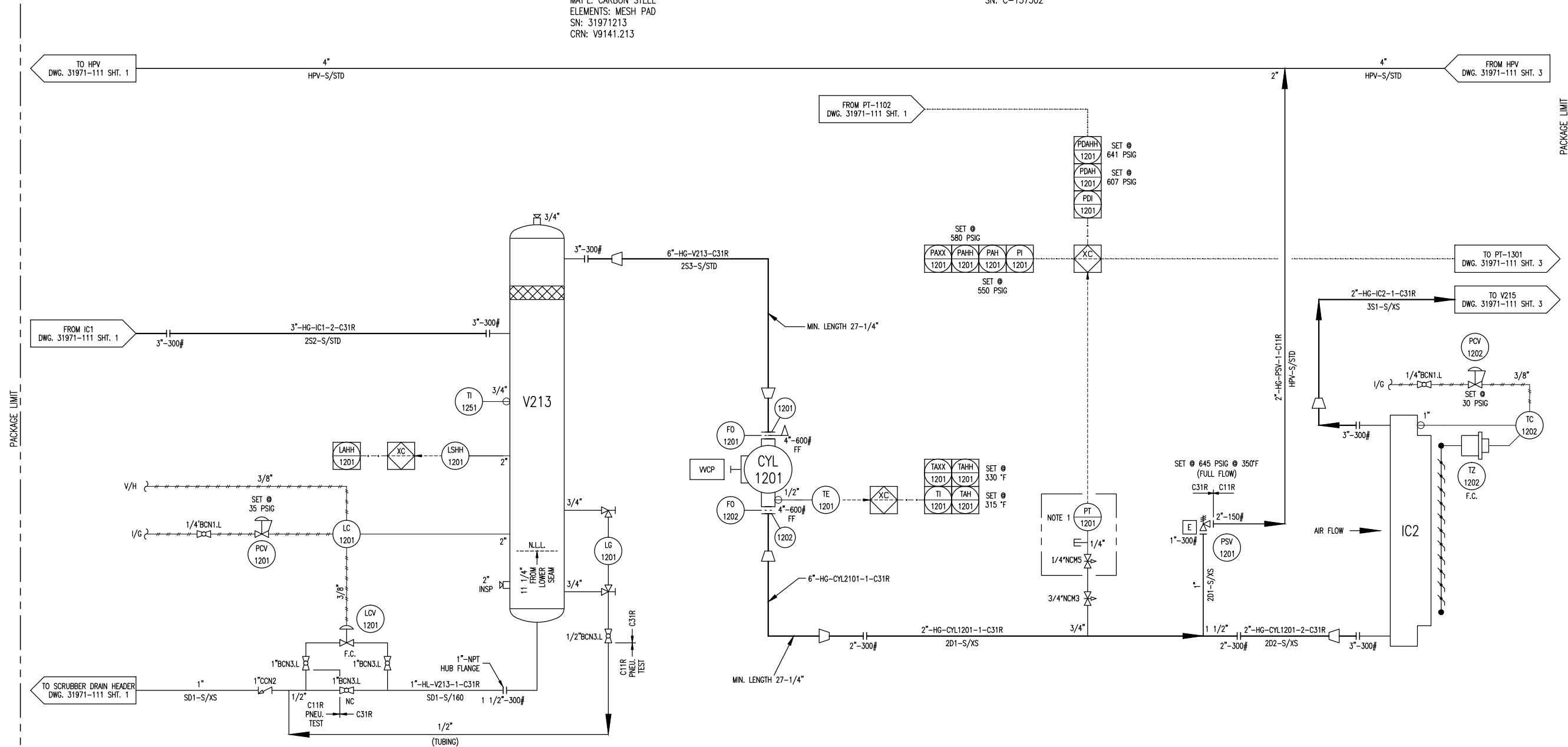
MFG: EFX  
SIZE: 20" OD X 60" S/S  
MAWP: 655 PSIG @ 300°F  
MDMT: -20°F @ 655 PSIG  
CA: 1/16"  
MAT'L: CARBON STEEL  
ELEMENTS: MESH PAD  
SN: 31971213  
CRN: V9141.213

CYL1201  
2ND STAGE  
COMPRESSION CYLINDER

MFG: ARIEL  
MODEL: 6-3/8 RJ  
SIZE: 6.00" BORE  
MAWP: 1270 PSIG  
THROW: #4  
SN: C-137502

IC2  
2ND STAGE  
COOLER SECTION

MAWP: 645 PSIG @ 350°F  
MDMT: -20°F @ 645 PSIG  
CA: 1/16"



**FINAL AS BUILT**  
NAME: A.HAMMOND DATE: DEC.11/12

NOTES:  
1. PANEL MOUNT PRESSURE TRANSMITTERS, CALIBRATION PORT REQUIRED.

				DATE: 05/28/12	SCALE: NTS	<b>ENERFLEX</b> Calgary, Alberta, Canada	P & I DIAGRAM PROCESS GAS STAGE #2	DWG NO: 31971-111 SHT: 2 REV: 1	
				DRAWN BY: A.HAMMOND	CHECKED BY: L. Dioquino				APPROVED BY: S. Pritchard
				PROJECT MANAGER: S. Pritchard	PROJECT ENGINEER: L. Dioquino				
				CUST PO:					
REV	DESCRIPTION	DATE	BY	APR	APEGGA PERMIT No: P8651	STEP CODE: 490 511 591	WORK ORDER: 31971		

PLOT DATE: Dec 12, 2012, 10:12:00 AM  
F:\30000 Projects\31971 EFX Rental H24653 JC4-3\4. Drafting\PKAD\31971-FLOWS.dwg

THE INFORMATION CONTAINED HEREIN IS THE CONFIDENTIAL PROPERTY OF ENERFLEX, LTD. AND IS NOT FOR PUBLICATION, AND NO PART THEREOF SHALL BE COPIED OR COMMUNICATED TO A THIRD PARTY WITHOUT AUTHORIZATION FROM ENERFLEX, LTD.

**V215  
3RD STAGE  
SUCTION SCRUBBER**

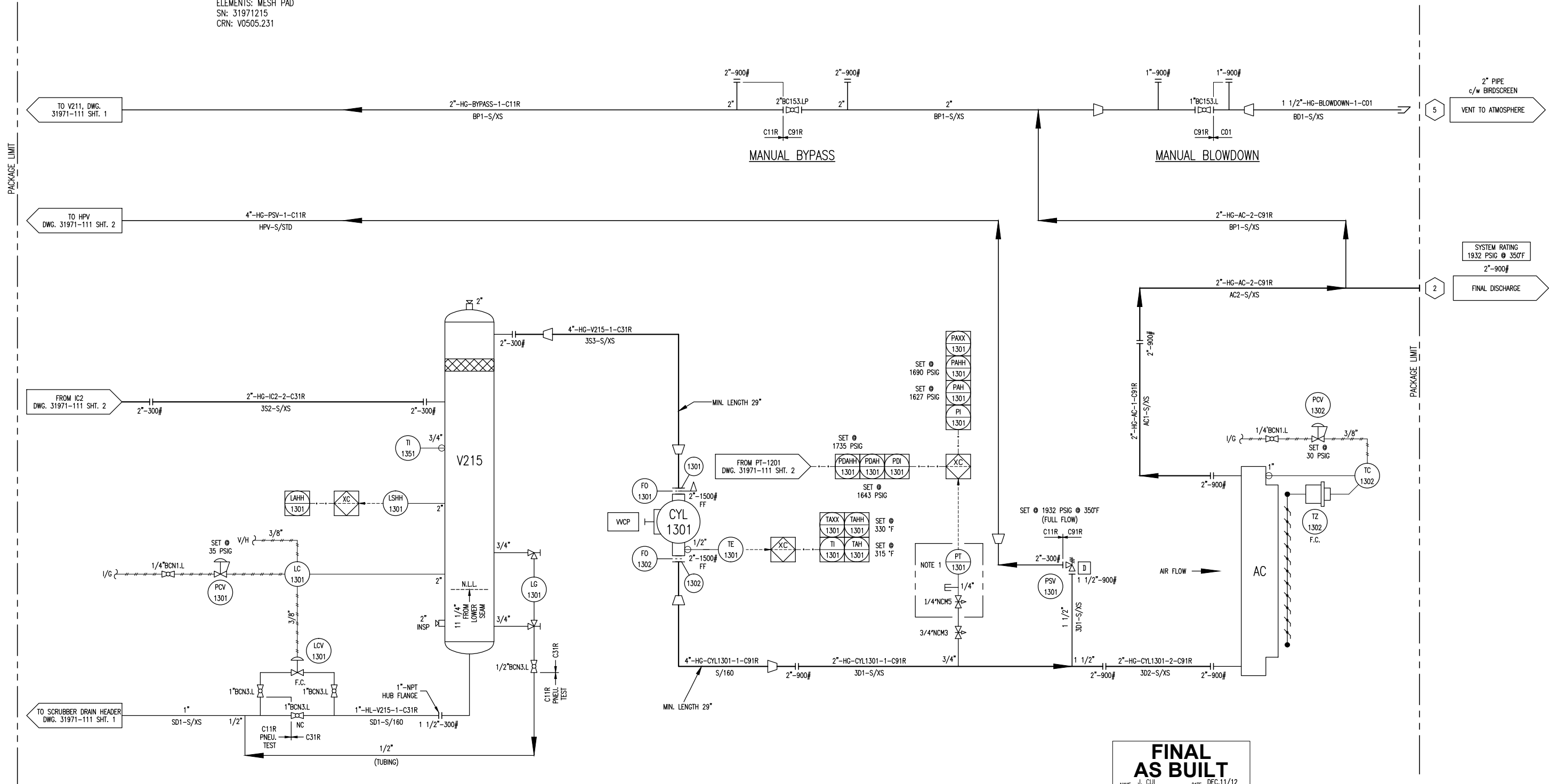
MFG: EFX  
 SIZE: 16" OD X 54" S/S  
 MAWP: 655 PSIG @ 300°F  
 MDMT: -20°F @ 655 PSIG  
 CA: 1/16"  
 MAT'L: CARBON STEEL  
 ELEMENTS: MESH PAD  
 SN: 31971215  
 CRN: V0505.231

**CYL1301  
3RD STAGE  
COMPRESSION CYLINDER**

MFG: ARIEL  
 MODEL: 3-7/8 RJ  
 SIZE: 3.625" BORE  
 MAWP: 2200 PSIG  
 THROW: #2  
 SN: C-137500

**AC  
3RD STAGE  
COOLER SECTION**

MAWP: 1932 PSIG @ 350°F  
 MDMT: -20°F @ 1932 PSIG  
 CA: 1/16"



**FINAL AS BUILT**  
 NAME: J. CUI DATE: DEC.11/12

NOTES:  
 1. PANEL MOUNT PRESSURE TRANSMITTERS, CALIBRATION PORT REQUIRED.

DATE: 05/28/12		SCALE: NTS	
2	FINAL AS-BUILT	DEC.11/12	MD LD
1	REVISED LINE NUMBER AND SPEC, AS NOTED	10/10/12	JC LD
0	ISSUED FOR CONSTRUCTION	09/17/12	AH LD
A	ISSUED FOR APPROVAL	08/10/12	SE LD
REV	DESCRIPTION	DATE	BY
DRAWN BY: A.HAMMOND		CHECKED BY: L. Dioguino	
PROJECT MANAGER: S. Pritchard		PROJECT ENGINEER: L. Dioguino	
APEGGA PERMIT No: P8651		STEP CODE: 490 511 591	WORK ORDER: 31971
ENERFLEX Calgary, Alberta, Canada		P & I DIAGRAM PROCESS GAS STAGE #3	
DWG NO: 31971-111	SHT: 3	REV: 2	

PLOT DATE: Dec 12, 2012, 10:46:00 AM

THE INFORMATION CONTAINED HEREIN IS THE CONFIDENTIAL PROPERTY OF ENERFLEX, LTD. AND IS NOT FOR PUBLICATION, AND NO PART THEREOF SHALL BE COPIED OR COMMUNICATED TO A THIRD PARTY WITHOUT AUTHORIZATION FROM ENERFLEX, LTD.

**C2101  
RECIPROCATING GAS  
COMPRESSOR FRAME**

MFG: ARIEL  
MODEL: JGJ/4  
RATED POWER: 1240 HP @ 1800 RPM  
STROKE: 3.50 in.  
ROD LOAD, TOTAL: 42,000 lbs.  
ROD LOAD, COMPRESSION: 23,000 lbs.  
ROD LOAD, TENSION: 21,000 lbs.  
SN: F39392

**CE2101  
COMPRESSOR ENGINE**

MFG: WAUKESHA  
MODEL: H24GSI  
BORE: 5.98 in.  
STROKE: 6.50 in.  
DISPLACEMENT: 1462 in. cu.  
COMP. RATIO: 8:1  
POWER: 530 HP @ 1800 RPM  
SN: 5283702271

**JB1  
JUNCTION BOX**

MFG: HAMMOND ENCLOSURES  
SIZE: 16" X 12" X 8"  
POWER: 24 VDC

**JB2  
JUNCTION BOX**

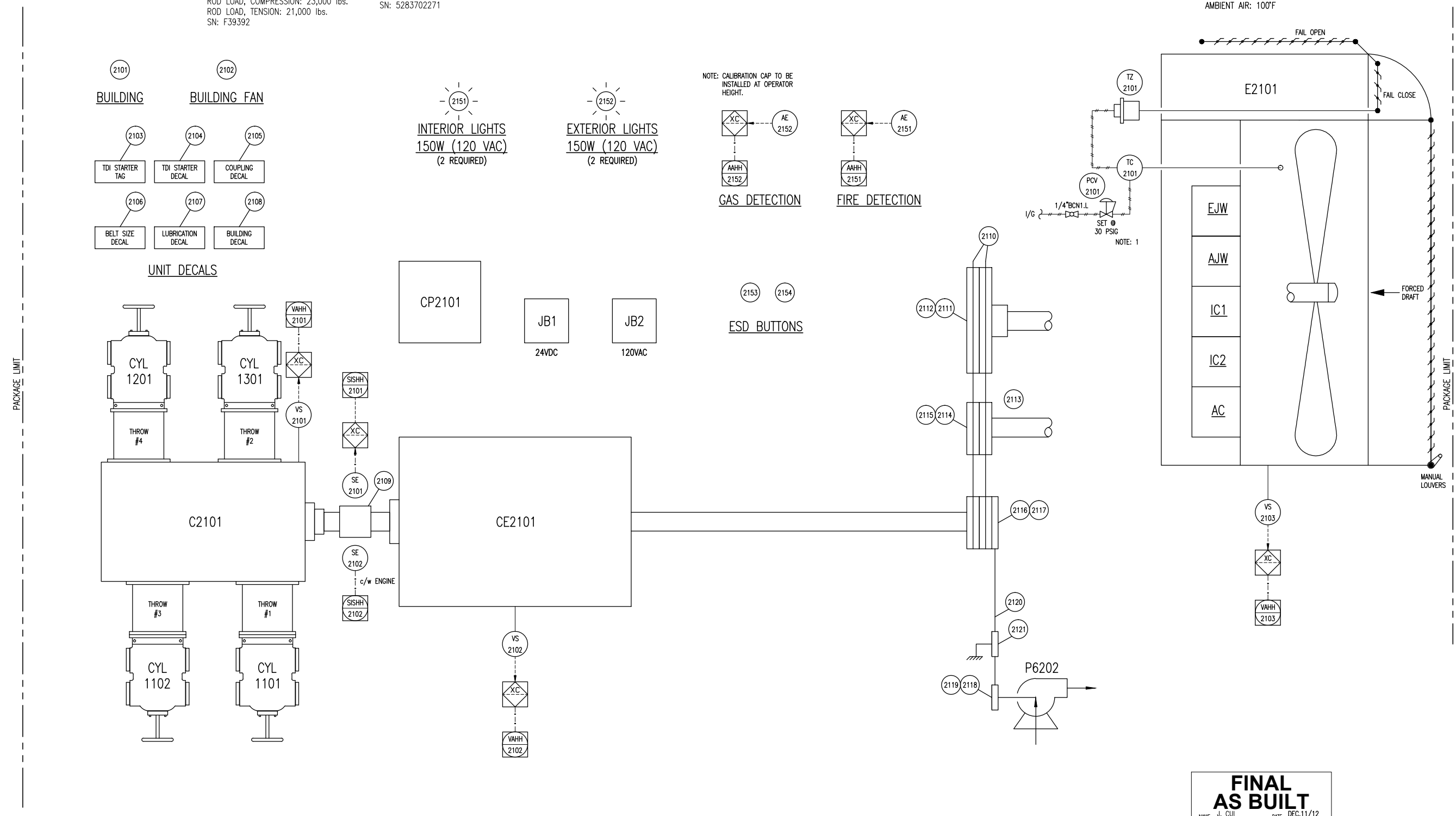
MFG: HAMMOND ENCLOSURES  
SIZE: 16" X 12" X 8"  
POWER: 120 VAC

**CP2101  
CONTROL PANEL**

MFG: EFX  
POWER: 24 VDC  
PROCESSOR: COMPACT LOGIX

**E2101  
PACKAGE GAS COOLER FRAME**

MFG: AIR X LIMITED  
MODEL: 96AEF  
TYPE: FORCED DRAFT  
AIR FLOW: 82,130 SCFM  
FAN TYPE: 1 MOORE 96 DIA x 6 BLADE  
FAN POWER: 19.8 BHP @ 415 RPM  
FAN BLADE PITCH: 18.5 DEG.S  
AMBIENT AIR: 100°F



NOTE: CALIBRATION CAP TO BE INSTALLED AT OPERATOR HEIGHT.

NOTE: 1

NOTE: 1. INSTALLATION ON FULL COUPLING AT OPERATOR HEIGHT.

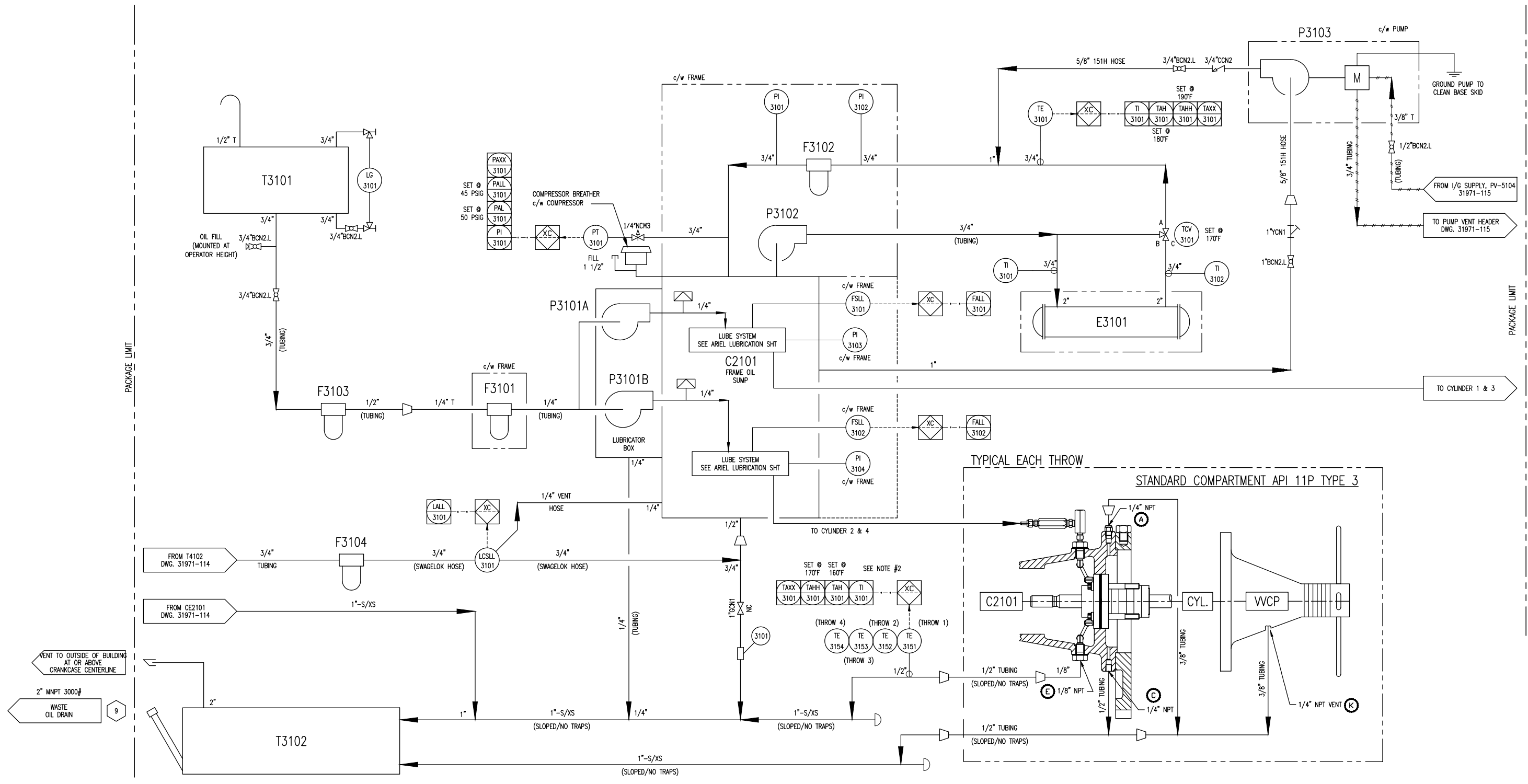
**FINAL AS BUILT**  
NAME: J. CUI DATE: DEC.11/12

PLOT DATE: Dec 12, 2012, 10:46:14 AM P:\30000 Projects\31971 EFX Rental H24GSI JB1-3\4. Drafting\PRD\31971-FLWMS.dwg

THE INFORMATION CONTAINED HEREIN IS THE CONFIDENTIAL PROPERTY OF ENERFLEX, LTD., AND IS NOT FOR PUBLICATION, AND NO PART THEREOF SHALL BE COPIED OR COMMUNICATED TO A THIRD PARTY WITHOUT AUTHORIZATION FROM ENERFLEX, LTD.

DATE: 05/28/12		SCALE: NTS		<b>ENERFLEX</b> Calgary, Alberta, Canada		P & I DIAGRAM DRIVE TRAIN/ CONTROL PANEL	
2	FINAL AS-BUILT	DEC.11/12	MD				
1	MOVE SPEED SENSOR 2101 LOCATION & ADD A SPEED SENSOR 2102	10/10/12	JC	LD	A.HAMMOND PROJECT MANAGER S. Pritchard		
0	ISSUED FOR CONSTRUCTION	09/17/12	AH	LD	L. Dioguino PROJECT ENGINEER S. Pritchard		
A	ISSUED FOR APPROVAL	08/10/12	SE	LD	CUST PO		
REV	DESCRIPTION	DATE	BY	APR	APEGA PERMIT No: P8651	STEP CODE: 151 198 511 712 721	WORK ORDER: 31971

<b>T3101</b> <b>CYLINDER</b> <b>LUBE OIL DAYTANK</b> MFG: EFX CAPACITY: 56 US GALLONS	<b>T3102</b> <b>WASTE OIL</b> <b>STORAGE TANK</b> MFG: EFX CAPACITY: 109 US GALLONS	<b>F3101</b> <b>CYLINDER LUBE</b> <b>OIL FILTER</b> MFG: ARIEL ELEMENT: ARIEL P/N: A-8723	<b>P3101A/B</b> <b>CYLINDER LUBE</b> <b>OIL PUMP</b> MFG: ARIEL PLUNGER PUMP P/N: C-0084	<b>P3102</b> <b>COMPRESSOR FRAME</b> <b>OIL PUMP</b> MFG: ARIEL MAX. FLOW: 18 GPM P/N: B-0425	<b>F3102</b> <b>COMPRESSOR FRAME</b> <b>OIL FILTER</b> MFG: ARIEL ELEMENT: ARIEL P/N: A-0061	<b>E3101</b> <b>COMPRESSOR FRAME</b> <b>OIL COOLER</b> MFG: ARIEL MODEL: B-2073 DRAWING#: A-4154	<b>P3103</b> <b>COMPRESSOR PRE-LUBE</b> <b>OIL PUMP</b> MFG: YAMADA MODEL: NDP-20BAN MAX. FLOW: 28 GPM
---	---	--	---	--	---	---	---



- NOTES:
- LETTER TAGS REFER TO DWG. #DANDV-ARIELSTD.
  - PACKING TEMPERATURE SET POINTS MUST BE REVIEWED AND RESET POST START UP.  
TAH SET POINT = OPERATING TEMP. + 15°F  
TAHH SET POINT = OPERATING TEMP. + 25°F

**FINAL AS BUILT**  
 NAME: J. CUI DATE: DEC.11/12

REV	DESCRIPTION	DATE	BY	APR
2	FINAL AS-BUILT	DEC.11/12	MD	LD
1	REVISED AS NOTED	10/16/12	JC	LD
0	ISSUED FOR CONSTRUCTION	09/17/12	AH	LD
A	ISSUED FOR APPROVAL	08/10/12	SE	LD

DATE: 05/28/12	SCALE: NTS
DRAWN BY: A.HAMMOND	CHECKED BY: L. Diogino
PROJECT MANAGER: S. Pritchard	PROJECT ENGINEER: L. Diogino
CUST PO	
APEGGA PERMIT No: P8651	STEP CODE: 511 591
WORK ORDER: 31971	

**ENERFLEX**  
 Calgary, Alberta, Canada

P & I DIAGRAM  
 COMPRESSOR LUBE  
 OIL & UTILITIES

DWG NO: 31971-113  
 SHEET: 1  
 REV: 2

PLOT DATE: Dec 12, 2012, midulic F:\30000 Projects\31971 EFX Rental H24GSI Jc4-3\4. Drafting\PAID\31971-FLOWG.dwg

THE INFORMATION CONTAINED HEREIN IS THE CONFIDENTIAL PROPERTY OF ENERFLEX, LTD. AND IS NOT FOR PUBLICATION, AND NO PART THEREOF SHALL BE COPIED OR COMMUNICATED TO A THIRD PARTY WITHOUT AUTHORIZATION FROM ENERFLEX, LTD.

P:\30000 Projects\31971 EFX Rental H24653 JG4-3\4 - Drafting\PRD\31971-FLOWS.dwg

PLOT DATE Dec 12, 2012, mdukkic

PACKAGE LIMIT

PACKAGE LIMIT

P4101  
ENGINE LUBE OIL PUMP

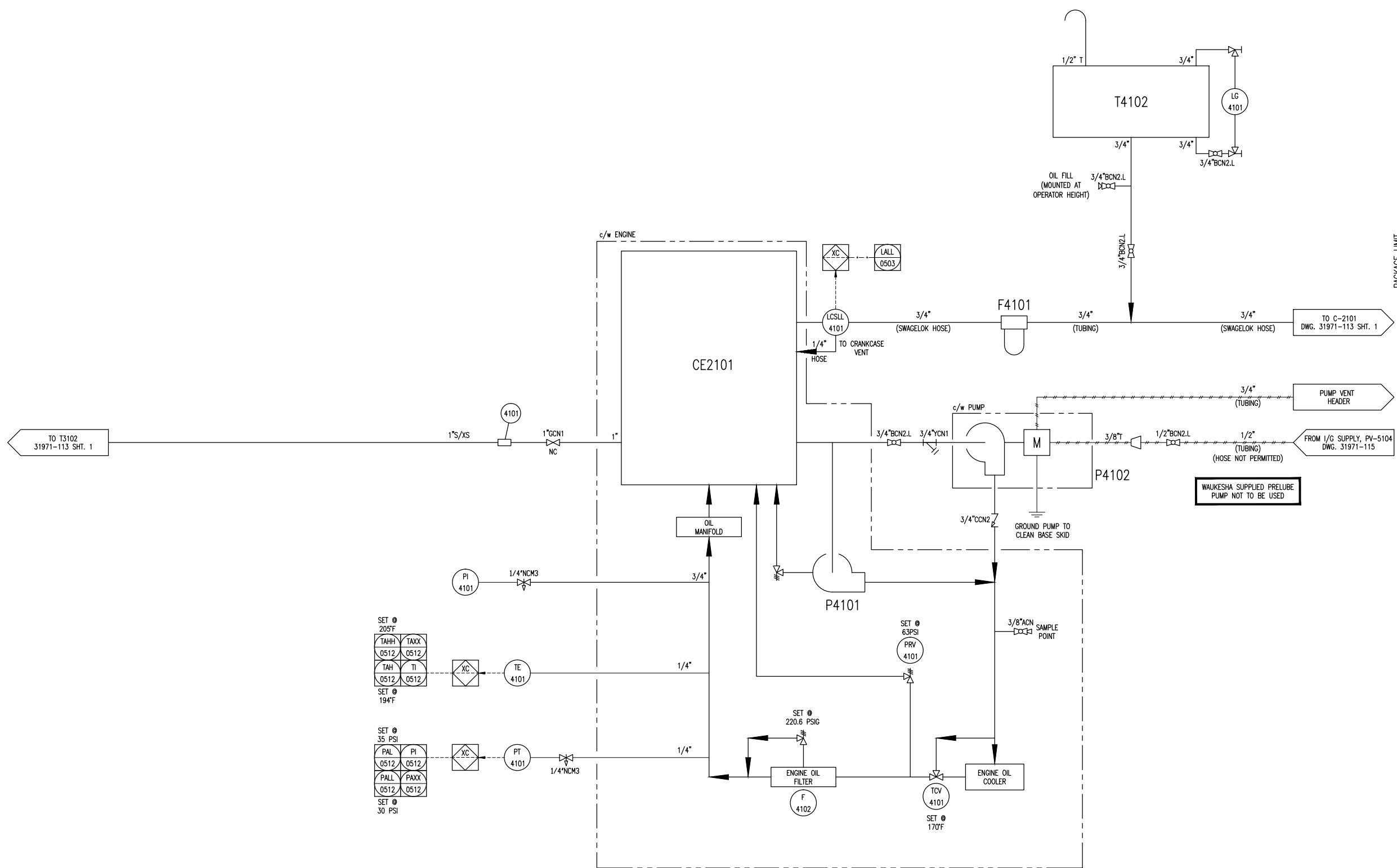
MFG: WAUKESHA  
DRIVE: ENGINE

P4102  
ENGINE PRE-LUBE OIL PUMP

MFG: YAMADA  
MODEL: NDP-20BAN  
FLOW: 29 GPM  
DRIVE: PNEUMATIC

T4102  
COMPRESSOR/ENGINE OIL DAYTANK

MFG: EFX  
CAPACITY: 56 US GALLONS



**FINAL AS BUILT**  
NAME: J. CUI DATE: DEC.11/12

REV	DESCRIPTION	DATE	BY	APR
2	FINAL AS-BUILT	DEC.11/12	MD	LD
1	REVISED MOTOR MARK AND ADD PUMP GROUND LINE	10/10/12	JC	LD
0	ISSUED FOR CONSTRUCTION	09/17/12	AH	LD
A	ISSUED FOR APPROVAL	08/10/12	SE	LD

DATE	05/28/12	SCALE	NTS
DRAWN BY	A. HAMMOND	CHECKED BY	L. Diogino
PROJECT MANAGER	S. Pritchard	APPROVED BY	S. Pritchard
CUST PO		PROJECT ENGINEER	L. Diogino
APEGGA PERMIT No:	P8651	STEP CODE	511 591
WORK ORDER	31971		

**ENERFLEX**  
Calgary, Alberta, Canada

P & I DIAGRAM  
ENGINE LUBE OIL

DWG NO: 31971-114 SHT: 1 REV: 2

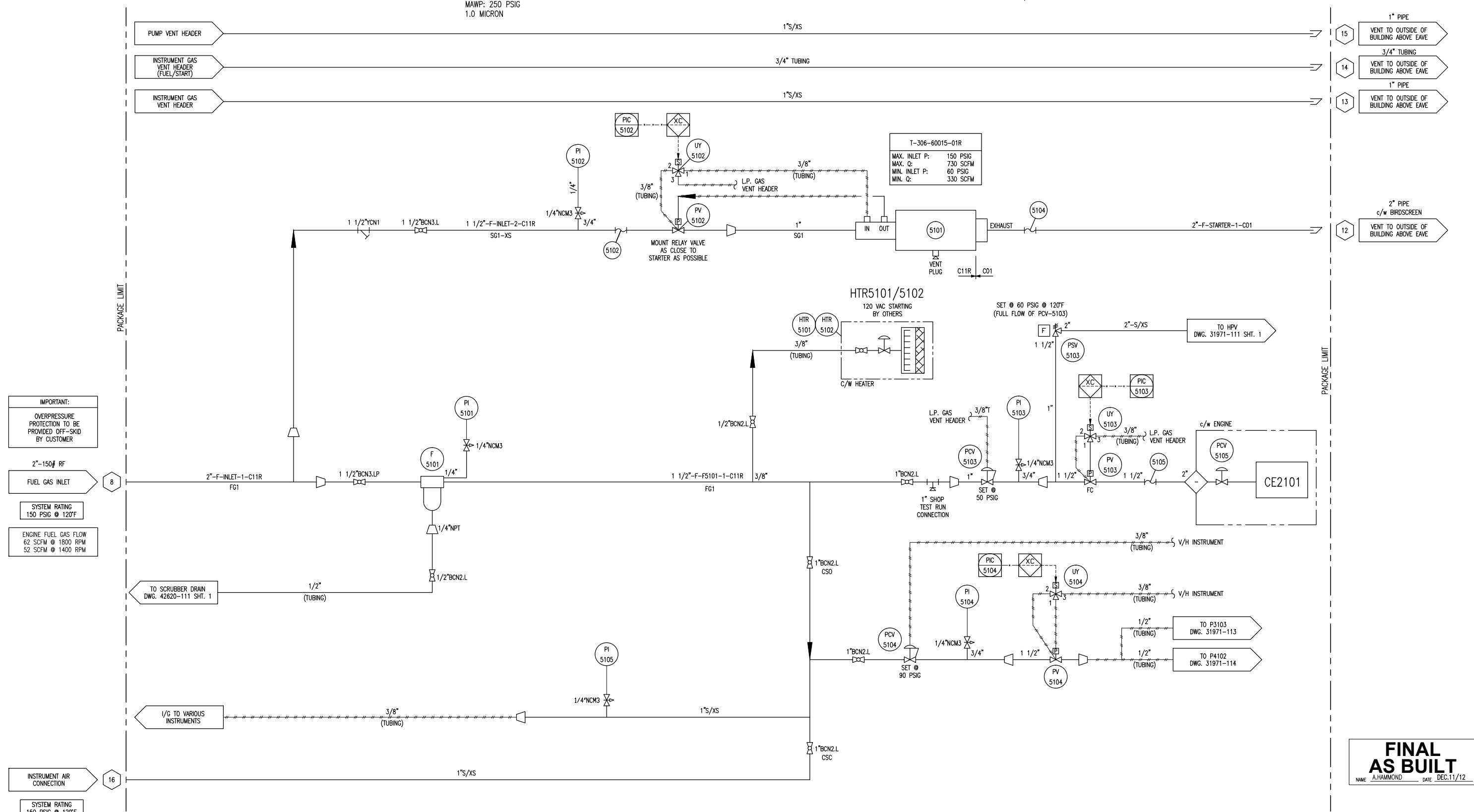
THE INFORMATION CONTAINED HEREIN IS THE CONFIDENTIAL PROPERTY OF ENERFLEX, LTD. AND IS NOT FOR PUBLICATION, AND NO PART THEREOF SHALL BE COPIED OR COMMUNICATED TO A THIRD PARTY WITHOUT AUTHORIZATION FROM ENERFLEX, LTD.

F5101  
FUEL GAS FILTER

MAKE: UFS  
MODEL: 385A-SP-70C  
MAWP: 250 PSIG  
1.0 MICRON

HTR5101/5102  
BUILDING HEATER

MAKE: CATA-DYNE  
MODEL: 32000 BTU/HR



**IMPORTANT:**  
OVERPRESSURE PROTECTION TO BE PROVIDED OFF-SKID BY CUSTOMER

2"-150# RF  
FUEL GAS INLET

SYSTEM RATING  
150 PSIG @ 120°F

ENGINE FUEL GAS FLOW  
62 SCFM @ 1800 RPM  
52 SCFM @ 1400 RPM

INSTRUMENT AIR CONNECTION

SYSTEM RATING  
150 PSIG @ 120°F

**FINAL AS BUILT**  
NAME: A-HAMMOND DATE: DEC.11/12

PLOT DATE: Dec 12, 2012, 10:46:00 AM F:\30000 Projects\31971 EFX Rental H24501 J04-3\4. Drafting\PMAD\31971-FLOWS.dwg

THE INFORMATION CONTAINED HEREIN IS THE CONFIDENTIAL PROPERTY OF ENERFLEX, LTD. AND IS NOT FOR PUBLICATION, AND NO PART THEREOF SHALL BE COPIED OR COMMUNICATED TO A THIRD PARTY WITHOUT AUTHORIZATION FROM ENERFLEX, LTD.

				DATE: 05/28/12	SCALE: NTS		
				DRAWN BY: A-HAMMOND	CHECKED BY: L. Dioguino	APPROVED BY: S. Pritchard	
				PROJECT MANAGER: S. Pritchard	PROJECT ENGINEER: S. Pritchard		
				CUST PO:			
				APEGA PERMIT No: P8651	STEP CODE: 511 591	WORK ORDER: 31971	
						<b>ENERFLEX</b>	
						Calgary, Alberta, Canada	
						P & I DIAGRAM START / FUEL GAS SUPPLY	
1	FINAL AS-BUILT	DEC.11/12	MD	LD			
0	ISSUED FOR CONSTRUCTION	09/17/12	AH	LD			
A	ISSUED FOR APPROVAL	08/10/12	SE	LD			
REV	DESCRIPTION	DATE	BY	APR			
				DWG NO: 31971-115	SHT: 1	REV: 1	



**T6101  
WASTE GLYCOL TANK**

MFG: EFX  
CAPACITY: 109 US GALLONS

**P6101  
ENGINE JACKET  
WATER PUMP**

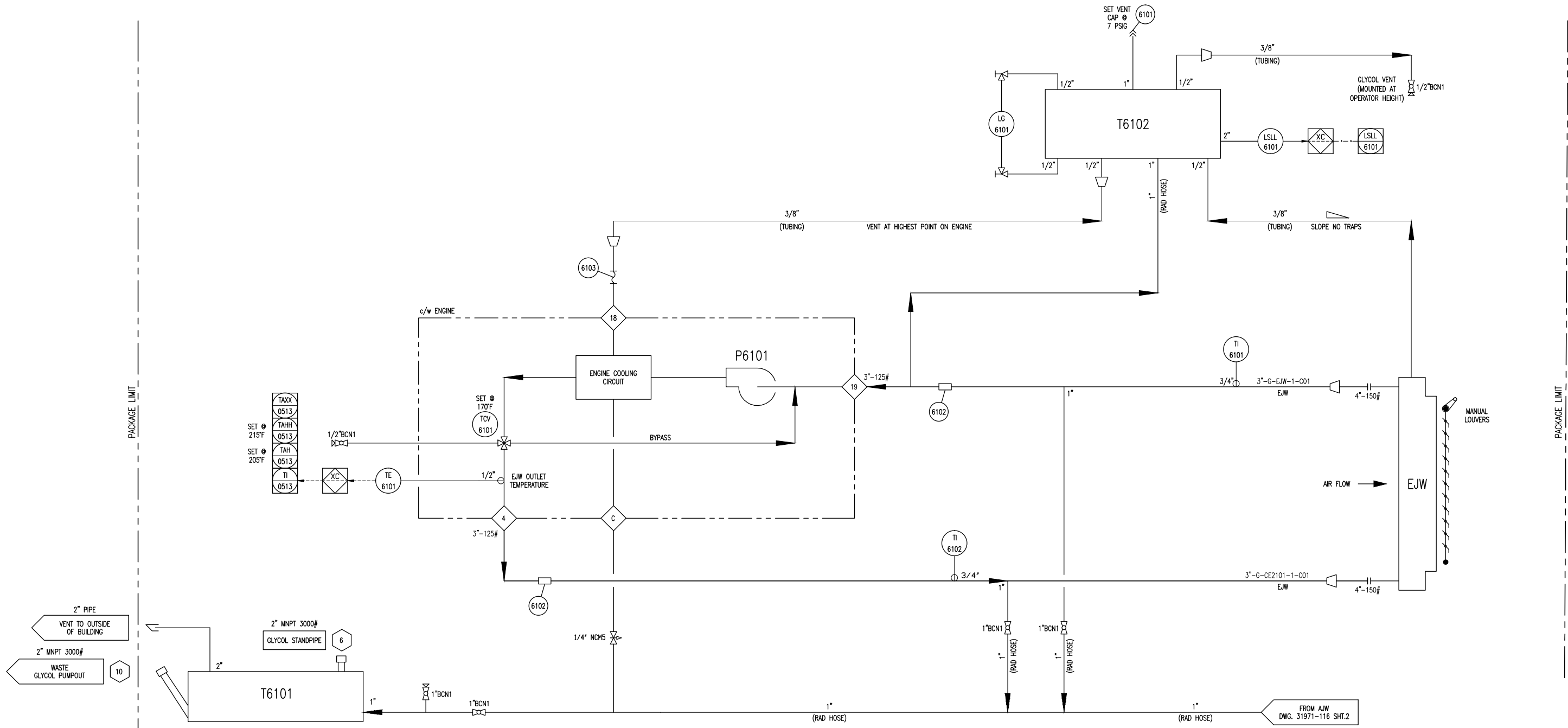
MFG: WAUKESHA  
MAX. FLOW: 130 GPM  
DRIVE: ENGINE

**T6102  
GLYCOL (EJW) SURGE TANK**

MFG: EFX  
CAPACITY: 8 US GALLONS  
TOTAL SYSTEM VOLUME: 62 US GALLONS  
MAT'L: SA-36

**EJW  
ENGINE JACKET WATER  
COOLER SECTION**

MAWP: 14 PSIG @ 300°F  
NON-CODE VESSEL



PACKAGE LIMIT

PACKAGE LIMIT

PLOT DATE: Dec 12, 2012, midline P:\30000 Projects\31971 EFX Rental H246SI JG4-3\4. Drafting\PM\31971-FLWMS.dwg

THE INFORMATION CONTAINED HEREIN IS THE CONFIDENTIAL PROPERTY OF ENERFLEX, LTD. AND IS NOT FOR PUBLICATION, AND NO PART THEREOF SHALL BE COPIED OR COMMUNICATED TO A THIRD PARTY WITHOUT AUTHORIZATION FROM ENERFLEX, LTD.

**FINAL AS BUILT**  
NAME: J. CUI DATE: DEC.11/12

REV	DESCRIPTION	DATE	BY	APR
2	FINAL AS-BUILT	DEC.11/12	MD	LD
1	CHANGE 1" BALL VALVE TO 1/4" NEEDLE VALVE	10/10/12	JC	LD
0	ISSUED FOR CONSTRUCTION	09/17/12	AH	LD
A	ISSUED FOR APPROVAL	08/10/12	SE	LD

DATE	05/28/12	SCALE	NTS
DRAWN BY	A. HAMMOND	CHECKED BY	L. Diogino
PROJECT MANAGER	S. Pritchard	PROJECT ENGINEER	L. Diogino
CUST PO			
APEGGA PERMIT No:	P8651	STEP CODE	511 531 591
WORK ORDER	31971		

**ENERFLEX**  
Calgary, Alberta, Canada

P & I DIAGRAM  
COOLING SYSTEM  
ENGINE JACKET WATER

DWG NO	31971-116	SHT	1	REV	2
--------	-----------	-----	---	-----	---

**E3101  
COMPRESSOR FRAME  
OIL COOLER**

MFG: ARIEL  
MODEL: B-2073  
DWG #: A-4154

**P6201  
AUXILIARY JACKET  
WATER PUMP**

MFG: WAUKESHA  
MAX. FLOW: 35 GPM  
DRIVE: ENGINE

**P6202  
AUXILIARY GLYCOL  
CIRCULATION PUMP**

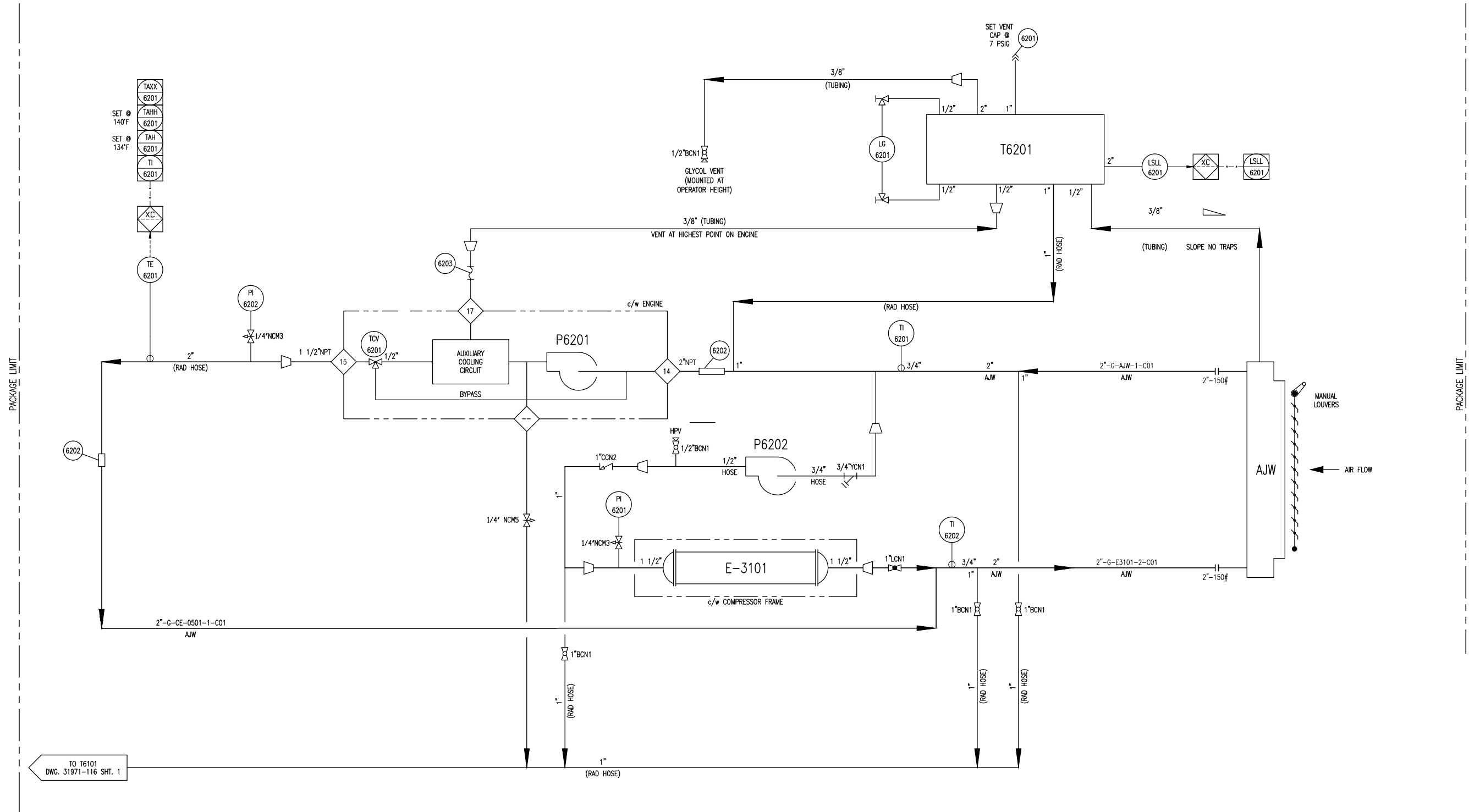
MFG: SMITH CAMERON  
MAX. FLOW: 9 GPM  
DRIVE: BELT DRIVEN

**T6201  
GLYCOL (AJW) SURGE TANK**

MFG: EFX  
CAPACITY: 3 US GALLONS  
TOTAL SYSTEM VOLUME: 23 US GALLONS  
SIZE:  
MAT'L: SA-36

**AJW  
AUXILIARY JACKET WATER  
COOLER SECTION**

MAWP: 14 PSIG @ 300°F  
NON-CODE VESSEL



TO T6101  
DWG. 31971-116 SHT. 1

PLOT DATE: Dec 12, 2012, 10:46:00 AM P:\30000 Projects\31971 EFX Rental H24650 JG4-3\4. Drafting\31971-116-1.dwg

**FINAL  
AS BUILT**  
NAME: J. CUI DATE: DEC.11/12

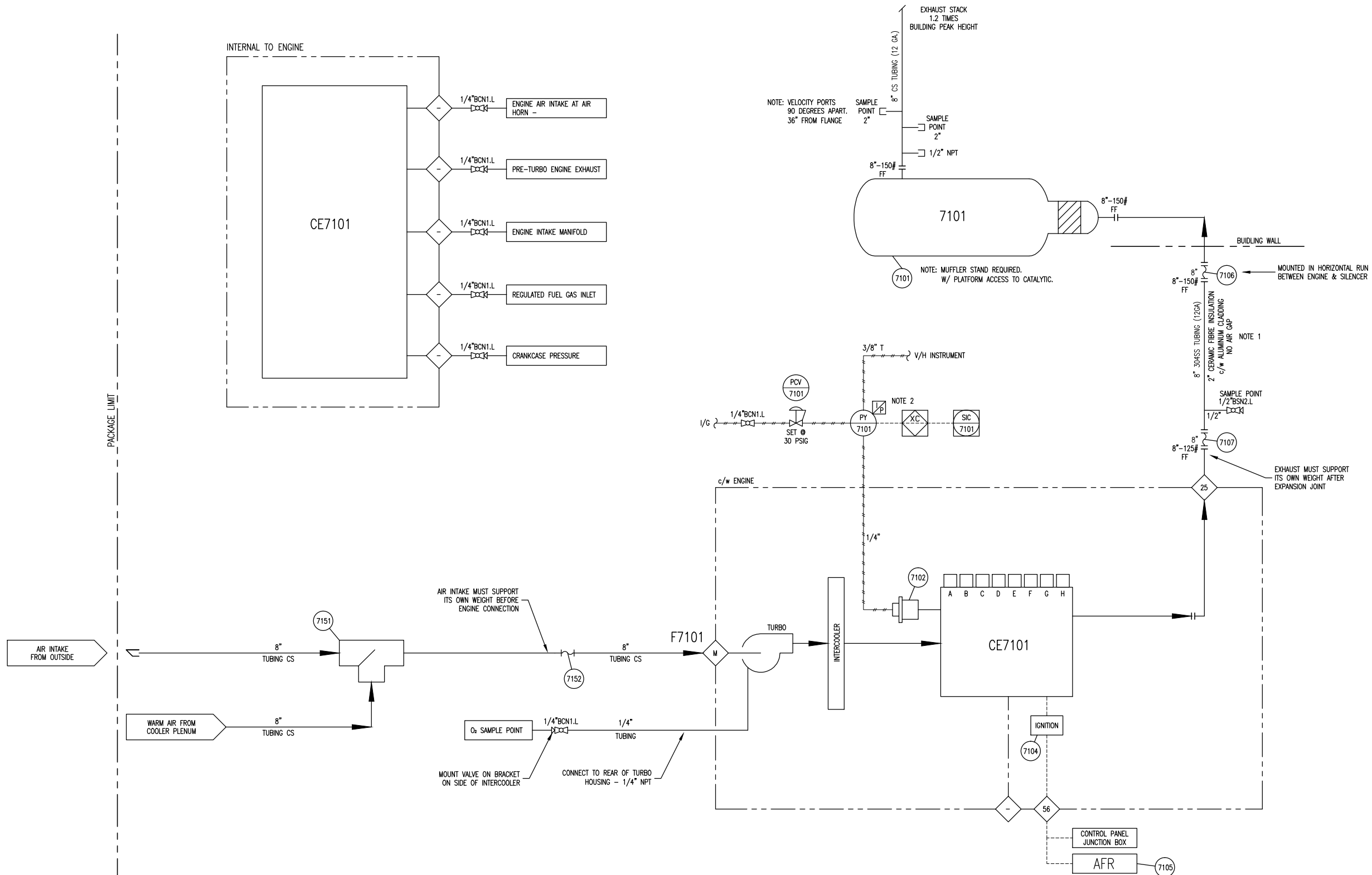
DATE	05/28/12	SCALE	NTS
DRAWN BY	A. HAMMOND	CHECKED BY	L. Daquino
APPROVED BY	S. Pritchard	PROJECT ENGINEER	L. Daquino
PROJECT MANAGER	S. Pritchard	CUST PO	
ISSUED FOR CONSTRUCTION	09/17/12	ISSUED FOR APPROVAL	08/10/12
REV	DESCRIPTION	DATE	BY
2	FINAL AS-BUILT	DEC.11/12	MD LD
1	MOVE THERMOCOUPLE LOCATION. CHANGE 1" BALL VALVE TO 1/4" NEEDLE VALVE	10/10/12	JC LD
0	ISSUED FOR CONSTRUCTION	09/17/12	AH LD
A	ISSUED FOR APPROVAL	08/10/12	SE LD
APEGGA PERMIT No: P8651		STEP CODE	511 531 591
WORK ORDER		31971	

<b>ENERFLEX</b> Calgary, Alberta, Canada	P & I DIAGRAM COOLING SYSTEM AUXILIARY JACKET WATER	
	DWG NO 31971-116	SHT 2
REV 2		

THE INFORMATION CONTAINED HEREIN IS THE CONFIDENTIAL PROPERTY OF ENERFLEX, LTD. AND IS NOT FOR PUBLICATION, AND NO PART THEREOF SHALL BE COPIED OR COMMUNICATED TO A THIRD PARTY WITHOUT AUTHORIZATION FROM ENERFLEX, LTD.

F7101  
AIR FILTER  
MFG: WAUKESHA  
QTY: 1

7101  
EXHAUST SILENCER  
MFG: EMIT  
MODEL: EAH-2150T-0808F-21CE0



NOTES:  
1. INSULATION FROM ENGINE EXHAUST TO BUILDING WALL.  
2. SPEED CONTROL DEVICE TO BE PANEL MOUNTED

**FINAL AS BUILT**  
NAME J. CUI DATE DEC.11/12

REV	DESCRIPTION	DATE	BY	APR
2	FINAL AS-BUILT	DEC.11/12	MD	LD
1	CS EXHAUST STACK	10/17/12	JC	LD
0	ISSUED FOR CONSTRUCTION	09/17/12	AH	LD
A	ISSUED FOR APPROVAL	08/10/12	SE	LD

DATE	05/28/12	SCALE	NTS
DRAWN BY	A.HAMMOND	CHECKED BY	L. Dioguino
PROJECT MANAGER	S. Pritchard	PROJECT ENGINEER	L. Dioguino
CUST PO			
APEGGA PERMIT No:	P8651	STEP CODE	511 531 591
WORK ORDER	31971		

<b>ENERFLEX</b> Calgary, Alberta, Canada	P & I DIAGRAM AIR / EXHAUST SYSTEMS		
	DWG NO	31971-117	
SHT	1	REV	2

PLOT DATE Dec 12, 2012, multiic P:\30000 Projects\31971 EPX Rental H240SI JC4-3\4. Drafting\PRD\31971-FLOWS.dwg

THE INFORMATION CONTAINED HEREIN IS THE CONFIDENTIAL PROPERTY OF ENERFLEX, LTD. AND IS NOT FOR PUBLICATION, AND NO PART THEREOF SHALL BE COPIED OR COMMUNICATED TO A THIRD PARTY WITHOUT AUTHORIZATION FROM ENERFLEX, LTD.

PLOT DATE Dec 12, 2012, mdukkic P:\30000 Projects\31971 EPX Rental 1242631\31971-3\4- Drafting\31971-1\FLOWS.dwg

LINE IDENTIFICATION

A-B-CD-E-FGHI-J,J,J

- A: NOMINAL LINE SIZE IN INCHES
B: FLUID
C: ORIGIN OF LINE
D: EQUIPMENT NUMBER 1 TO 9 SEQUENTIAL NUMBERS
E: LINE NUMBER 1 TO 9 SEQUENTIAL NUMBERS FROM ORIGIN
FGHI: PIPING SPECIFICATION
F: MATERIAL GROUP
G: FLANGE CLASS (ANSI 16.5)
H: LINE MATERIAL SPECIFICATION REFERENCE
I: SPECIFICATION REFERENCE
JJ: MODIFIER / GENERAL

VALVE IDENTIFICATION

A"BCDE.F

- A: NOMINAL VALVE SIZE IN INCHES
B: TYPE
C: BODY MATERIAL
D: END CONNECTIONS
E: IDENTIFIER - NUMBER USED TO SPECIFY VALVE
F: MODIFIER

LINE CODE

- MAIN PROCESS LINE
SECONDARY PROCESS LINE
AUXILIARY LINE
INSTRUMENT LINE
ELECTRIC LINE
FILLED CAPILLARY TUBE
PNEUMATIC LINE
MECHANICAL LINK
INSTRUMENT DATA LINK
INTERCONNECTING PIPING
SKID LIMIT
FUTURE

VALVES

- ANGLE GLOBE VALVE
BALL VALVE
BUTTERFLY VALVE
CHECK VALVE
GATE VALVE
GLOBE VALVE
NEEDLE VALVE
NEEDLE VALVE W/ BLEED PLUG
PLUG VALVE
3-WAY VALVE
4-WAY VALVE

MISCELLANEOUS

- SKID TIE-POINTS
CONTINUOUS LIQUID DRAINER OR STEAM TRAP
FLEXIBLE/ EXPANSION CONNECTION
SPECTACLE BLIND (LINE OPEN)
SPECTACLE BLIND (LINE CLOSED)
BALL CHECK VALVE
THROTTLE BLOCK
BOTTLE CLAMP
UNION
SIGHT GLASS
LINE SIZE CHANGE
VORTEX BREAKER
DIAPHRAGM SEAL
RUPTURE DISC FOR PRESSURE RELIEF
RUPTURE DISC FOR VACUUM RELIEF
EDUCTOR/VENTURI
OPEN DRAIN
SPACER / ORIFICE
CONE STRAINER
BASKET STRAINER
Y-PATTERN STRAINER
TEE STRAINER
FLEXIBLE PIPE COUPLING
SPECIAL CLAMPING
SPECIALTY ITEM
ELECTRIC HEAT TRACE
STEAM OR GLYCOL HEAT TRACE
WEDGE SUPPORT

CONTROL VALVES

- POSITIONER DIAPHRAGM CONTROL VALVE
OUTLET PRESSURE REGULATOR SELF-CONTAINED
INLET PRESSURE REGULATOR SELF-CONTAINED
PRESSURE DIFFERENTIAL CONTROL VALVE SELF-CONTAINED
DIAPHRAGM CONTROL VALVE
HYDRAULIC / PNEUMATIC PISTON OPERATED
PNEUMATIC RELAY VALVE
TWO-WAY SOLENOID VALVE
THREE-WAY SOLENOID VALVE
MOTOR ACTUATOR
HAND CONTROL VALVE
PRESSURE SAFETY / RELIEF VALVE
DESIGNATES ORIFICE LETTER (SIZE)

INSTRUMENT IDENTIFICATION GENERAL REFERENCE (ISA - S5.1)

Table with columns: FIRST LETTER, SUCCEEDING LETTERS, PRIMARY ELEMENT, INDICATOR, RECORDER, CONTROLLER, TRANS-MITTER, CONTROL, CONTROL VALVE OR REGULATOR, SELF-ACTUATED VALVE, RELAY OR CONVERTER. Rows include ANALYSIS, BURNER FLAME, CONDUCTIVITY, etc.

VALVE CONNECTIONS

- SCREWED (NPT)
FLANGED
SOCKET WELDED (SW)
NPT BY SW
BUTT WELDED (BW)

- (C) -CLOSE
(H) -HIGH ALARM
(HH)-HIGH SHUTDOWN
(O) -OPEN
(L) -LOW ALARM
(LL)-LOW SHUTDOWN
(xx) -DIAGNOSTIC SHUTDOWN

ABBREVIATIONS

- BW BUTT WELD
CA CORROSION ALLOWANCE
CS CARBON STEEL
C/W COMPLETE WITH
CSC CAR SEALED CLOSED
CSO CAR SEALED OPEN
CUST CUSTOMER
DB DEAD BAND
DELTA (DIFFERENTIAL)
DIR DIRECT ACTING
EFX ENERFLEX LTD.
ESD EMERGENCY SHUTDOWN
FC FAIL CLOSED
FF FLAT FACED
FO FAIL OPEN
FLP FAIL LAST POSITION
FX FROST EXTENSION
FOT FLAT ON TOP
HI HIGH
HLL HIGH LIQUID LEVEL
HS HAND SWITCH
I/A INSTRUMENT AIR
I/G INSTRUMENT GAS
I/P CURRENT TO PRESSURE
I/O INPUT / OUTPUT
LLL LOW LIQUID LEVEL
LPD LOW POINT DRAIN
MAX MAXIMUM
MAWP MAXIMUM ALLOWABLE WORKING PRESSURE
MDMT MINIMUM DESIGN METAL TEMPERATURE
MCC MOTOR CONTROL CENTER
MIN MINIMUM
NLL NORMAL LIQUID LEVEL
NB NATIONAL BOARD
NC NORMALLY CLOSED
NO NORMALLY OPEN
NPT NATIONAL PIPE THREAD (SCREWED)
PB PUSH BUTTON
PL PILOT LIGHT
PLC PROGRAMMABLE LOGIC CONTROLLER
PPD PINTS PER DAY
REV REVERSE ACTING
RF RAISED FACE
RTD RESISTANCE TEMPERATURE DEVICE
RTJ RING TYPE JOINT
S/F SEAM TO FACE OF FLANGE
SS STAINLESS STEEL
S/S SEAM TO SEAM
SCFM STANDARD CUBIC FEET PER MINUTE
SO SLIP-ON
SW SOCKET WELD
SVU SUCTION VALVE UNLOADER
T TUBING
V/H VENT HEADER
VTA VENT TO ATMOSPHERE
VCP VARIABLE VOLUME CONTROL POCKET
FVCP FIXED VOLUME CONTROL POCKET
W/ WITH
W/O WITHOUT

INSTRUMENTS

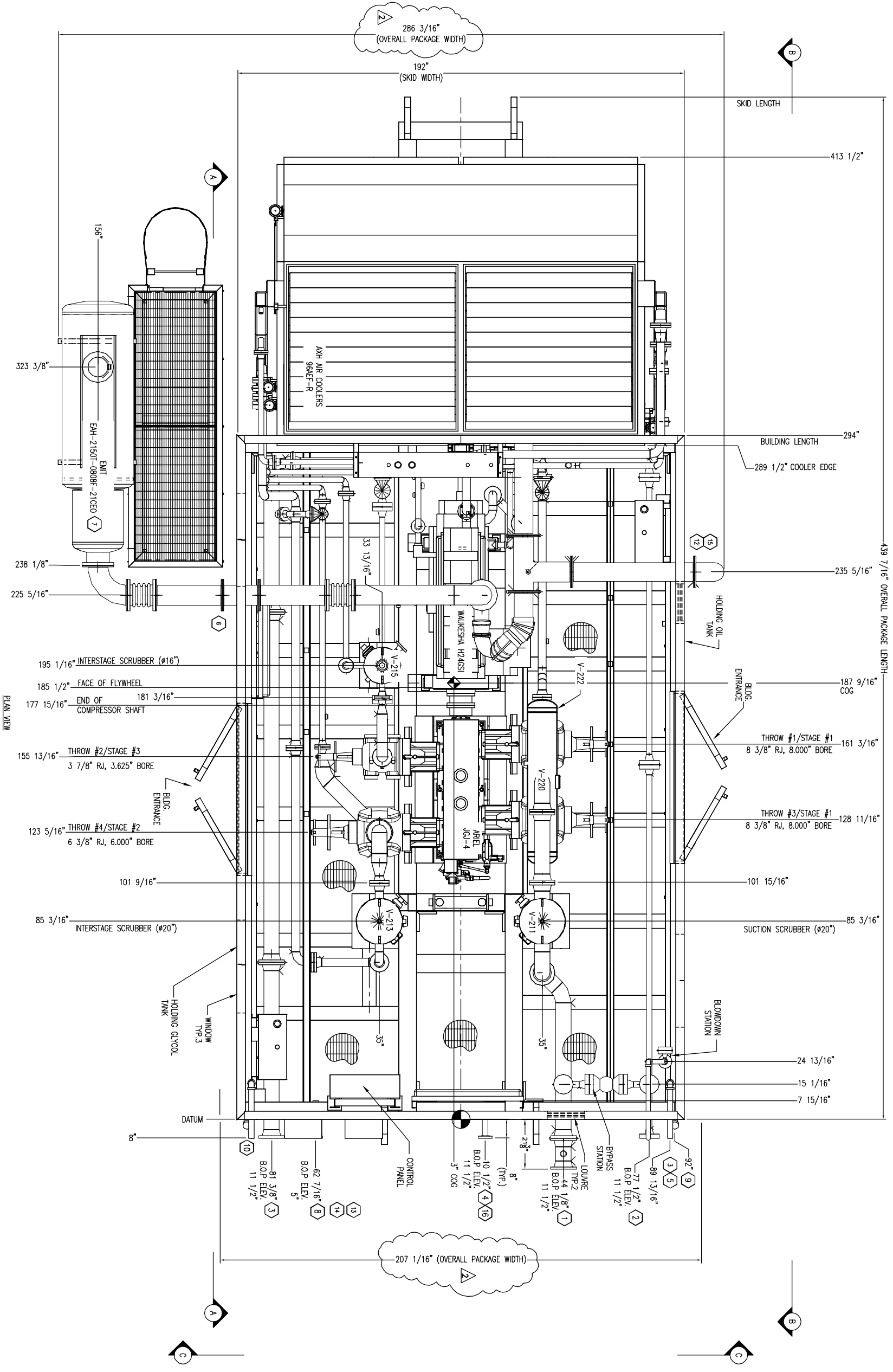
- LOCAL MOUNTED
LOCAL PANEL MOUNTED
MOUNTED BEHIND OR IN LOCAL PANEL
MAIN PANEL MOUNTED
MOUNTED BEHIND OR IN MAIN PANEL
BY OTHERS
HUMAN MACHINE INTERFACE(HMI) ACCESSIBLE TO OPERATOR
BY OTHERS
ENGINE CONTROL
PROGRAMMABLE LOGIC CONTROLLER (PLC)
XC REPRESENTS GENERAL LOGIC
PILOT LIGHT \* COLOR-(A) AMBER
(G) GREEN
(R) RED
(B) BLUE
(O) ORANGE
(W) WHITE
THERMOWELL (FLANGED)
THERMOWELL (THREADED)
THERMOWELL (WELDED)

Revision table with columns: REV, DESCRIPTION, DATE, BY, APR, APEGA PERMIT No: P8651, STEP CODE N/A, WORK ORDER 31971, DWG NO 31971-199, SHT 1, REV 0.

ENERFLEX Calgary, Alberta, Canada

FINAL AS BUILT NAME: A.HAMMOND DATE: DEC.11/12

THE INFORMATION CONTAINED HEREIN IS THE CONFIDENTIAL PROPERTY OF ENERFLEX, LTD. AND IS NOT FOR PUBLICATION, AND NO PART THEREOF SHALL BE COPIED OR COMMUNICATED TO A THIRD PARTY WITHOUT AUTHORIZATION FROM ENERFLEX, LTD.



REV	DESCRIPTION	DATE	BY	APP
0	ISSUED FOR CONSTRUCTION	08/10/12	JMS	LD
1	AS-BUILT	12/04/12	CE	LD
2	AS-BUILT, UPDATED DIMENSIONS	DEC14/12	JMS	L.D.

DATE	SCALE	DRAWN BY	CHECKED BY	APPROVED BY
08/09/12	1:20	J.Steinke	K.Oxford	L.Diquino

DATE	BY	APP
08/10/12	JMS	LD
12/04/12	CE	LD
DEC14/12	JMS	L.D.

ENERFLEX LTD. RENTAL  
 WAJUKESHA H24GSI  
 ARIEL JG4-3 STD SWEET

**ENERFLEX**  
 Calgary, Alberta,  
 Canada

31971-201

**FINAL AS BUILT**  
 DATE: DEC 04/12

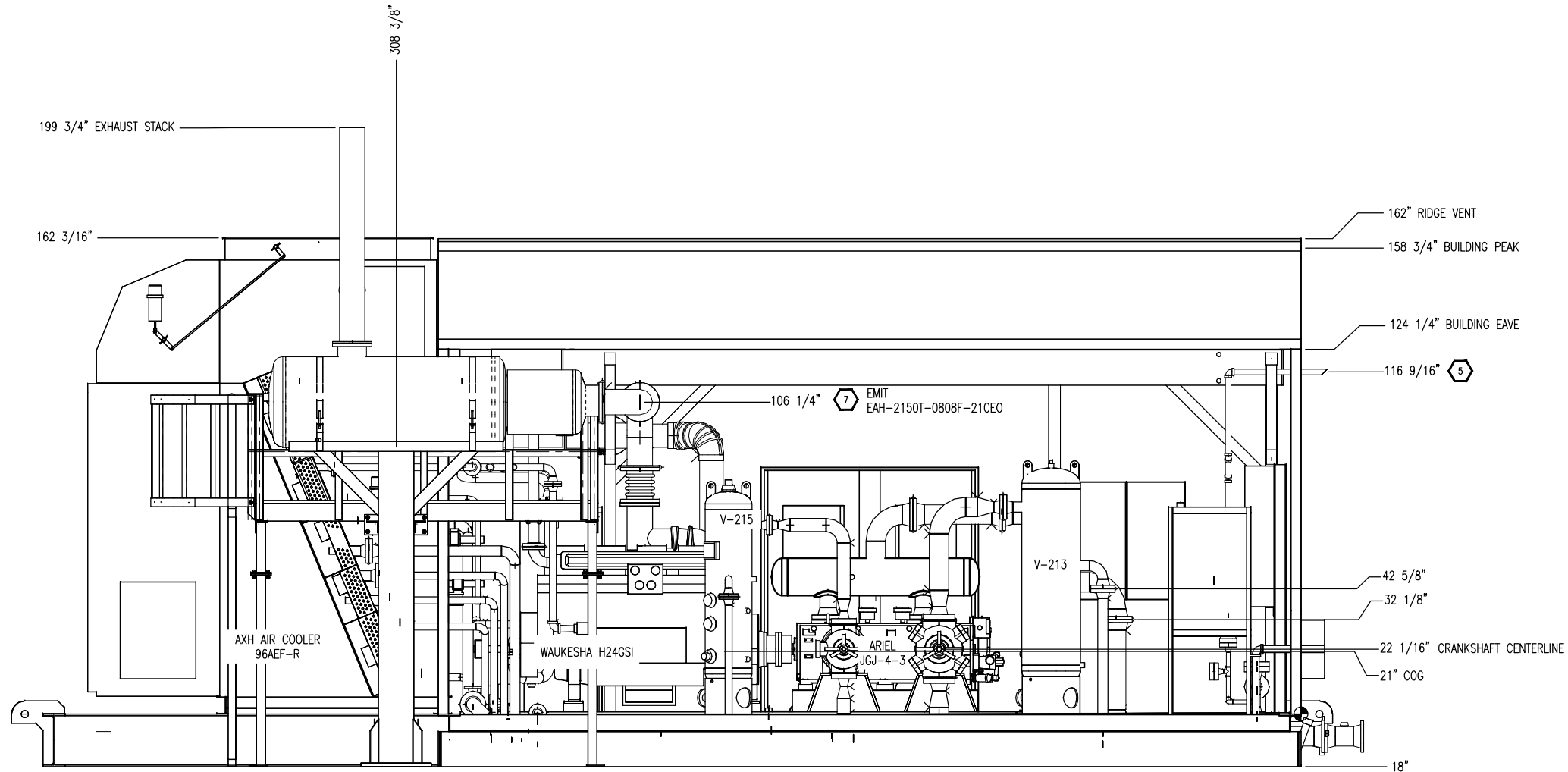
GENERAL SPECIFICATIONS	
OVERALL PACKAGE LENGTH	37'-3 7/8"
OVERALL PACKAGE WIDTH	17'-3 3/8"
OVERALL PACKAGE HEIGHT (W/STOCK)	18'-1 11/8"
OVERALL OPERATING PACKAGE WEIGHT (LBS)	95228
MAIN SHIP SHIPPING WEIGHT (LBS)	84218
BRIDGE CRANE RATING	N/A
SKID PAN	<input checked="" type="checkbox"/> FLAT <input type="checkbox"/> NONE <input type="checkbox"/> SCOFFED
LOADING METHOD	<input type="checkbox"/> LIFT ROLL <input type="checkbox"/> CRANE <input checked="" type="checkbox"/> JACK & ROLL

NOTES:

- ALL (2) DIMENSIONS TAKEN FROM TOP OF SKID.
- ALL OTHER NOTES FOUND ON DWG. #18890.
- ALL SHIP SHIP CONNECTIONS 3/4" TOLERANCE & SHIP TIGHT. DIMENSIONS FROM REFERENCE POINT.
- CENTER OF GRAVITY:
  - X FROM REF. POINT: 188"
  - Y FROM REF. POINT: 31"
  - Z FROM REF. POINT: 21"

NOZZLE SCHEDULE			
MARK	SERVICE	SIZE	RATING TYPE
1	GAS INLET	6"	150# RF
2	FINAL DISCHARGE	2"	90# RF
3	HIGH PRESSURE VENT	6"	150# RF
4	SCRUBBER DRAIN HEADER	2"	150# RF
5	BLOWDOWN VENT	2"	150# PFE
6	GLYCOL STANDPIPE	2"	3000# WMT
7	EXHAUST	8"	300# PFE
8	FUEL GAS INLET	2"	150# RF
9	WASTE OIL DRAIN	2"	3000# WMT
10	WASTE FLUID PUMP/OUT	2"	3000# WMT
11	-	-	-
12	STARTER GAS VENT	2"	PFE
13	INSTRUMENT VENT	1"	PFE
14	L.P. INSTRUMENT GAS VENT	3/4"	TUBE
15	PUMP VENT HEADER	1"	PFE
16	INSTRUMENT AIR SUPPLY	1"	PFE
17	-	-	-
18	-	-	-



ELEVATION VIEW A-A  
CONTROL PANEL NOT SHOWN CLARITY

**FINAL AS BUILT**  
NAME C.EASTHOPE DATE DEC 04/12

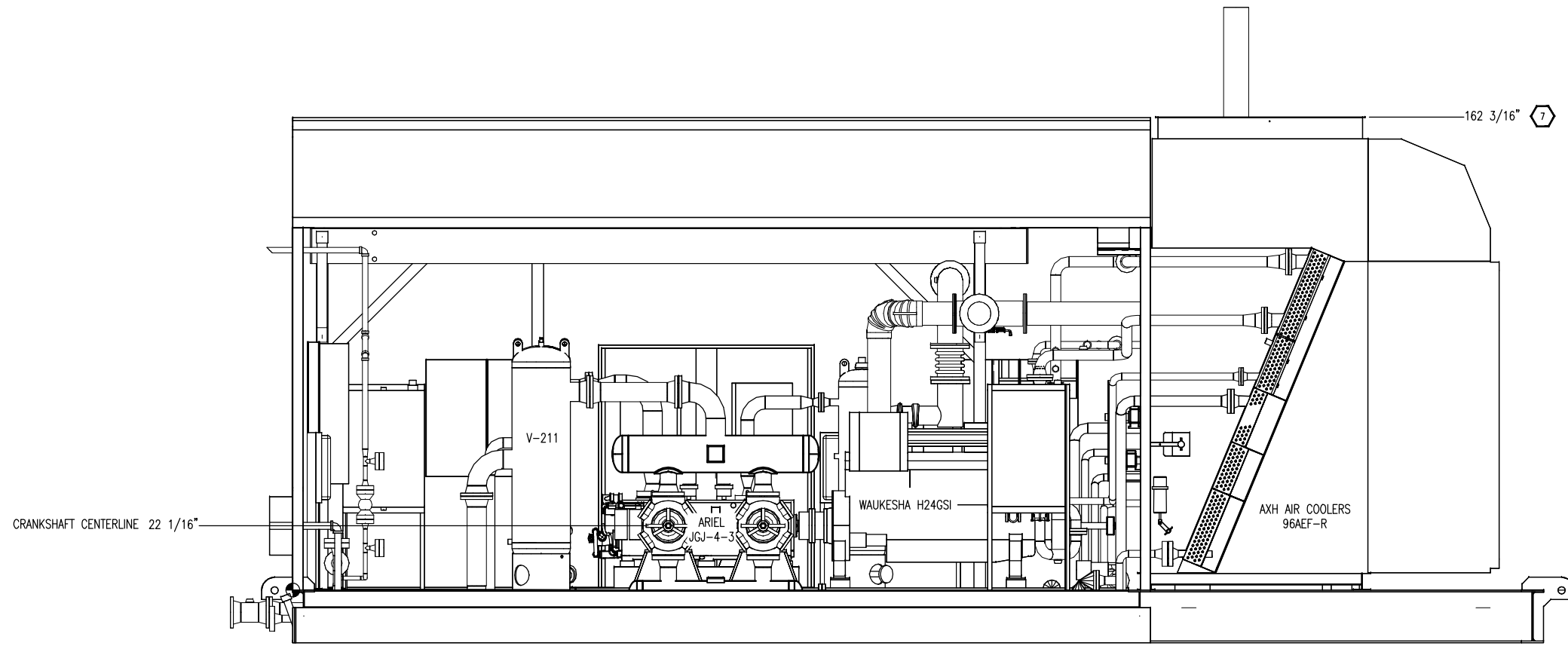
NOTE:  
ALL TAIL DIMENSIONS ARE  
TAKEN FROM REFERENCE  
POINT AT TOP OF SKID

				DATE 08/09/12	SCALE 1/2"=1'-0"	ENERFLEX LTD. RENTAL WAUKESHA H24GSI ARIEL JGJ/4-3 STD SWEET	<b>ENERFLEX</b> Calgary, Alberta, Canada	GENERAL ARRANGEMENT		
				DRAWN BY J.Steinke	CHECKED BY K.Oxford					APPROVED BY L.DIOQUINO
				PROJECT MANAGER S.PRITCHARD	PROJECT ENGINEER L.DIOQUINO					
1	AS-BUILT	12/04/12	CE	LD	CUST PO N/A					
0	ISSUED FOR CONSTRUCTION	08/10/12	JMS	LD						
REV	DESCRIPTION	DATE	BY	APR	APEGGA PERMIT No: P8651	STEP CODE 198/238/490/511/591	WORK ORDER 31971	DWG NO 31971-201	SHT 2	REV 1

PLOT DATE Dec 04, 2012, ceasthope P:\30000 Projects\1971 EPX Rental H24GSI JGJ-4-3\4. Drafting\31971-MODEL.dwg

THE INFORMATION CONTAINED HEREIN IS THE CONFIDENTIAL PROPERTY OF ENERFLEX, LTD. AND IS NOT FOR PUBLICATION, AND NO PART THEREOF SHALL BE COPIED OR COMMUNICATED TO A THIRD PARTY WITHOUT AUTHORIZATION FROM ENERFLEX, LTD.

PLOT DATE Dec 04, 2012, ceasthope P:\30000 Projects\31971 EPX Rental H24GSI JGJ-4-3\4. Drafting\31971-MODEL.dwg



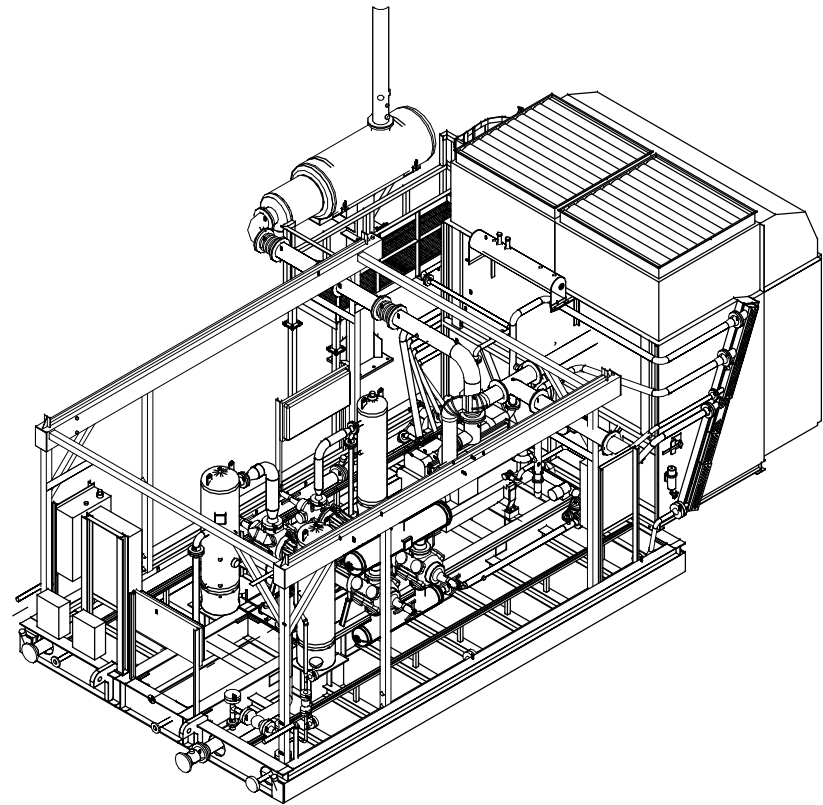
ELEVATION VIEW B-B

**FINAL AS BUILT**  
 NAME C.EASTHOPE DATE DEC 04/12

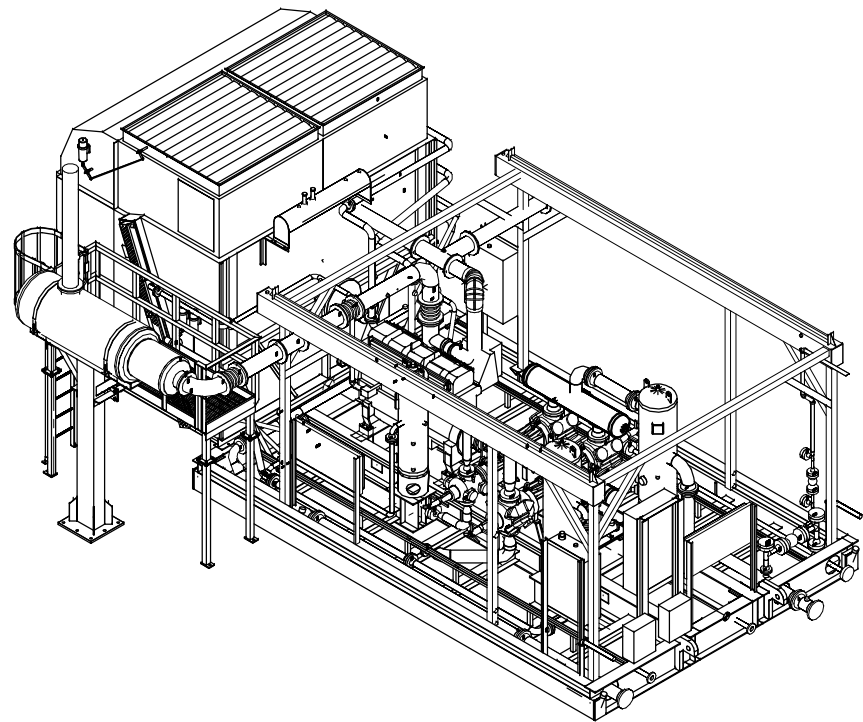
NOTE:  
 ALL TAIL DIMENSIONS ARE  
 TAKEN FROM REFERENCE  
 POINT AT TOP OF SKID

				DATE 08/09/12	SCALE 1/2"=1'-0"	ENERFLEX LTD. RENTAL WUKESHA H24GSI ARIEL JGJ/4-3 STD SWEET	<b>ENERFLEX</b> Calgary, Alberta, Canada	GENERAL ARRANGEMENT		
				DRAWN BY J.Steinke	CHECKED BY K.Oxford					APPROVED BY L.DIOQUINO
				PROJECT MANAGER S.PRITCHARD	PROJECT ENGINEER L.DIOQUINO					
1	AS-BUILT	12/14/12	CE	LD	CUST PO N/A					
0	ISSUED FOR CONSTRUCTION	08/10/12	JMS	LD						
REV	DESCRIPTION	DATE	BY	APR	APEGGA PERMIT No: P8651	STEP CODE 198/298/490/511/591	WORK ORDER 31971	DWG NO 31971-201	SHT 3	REV 1

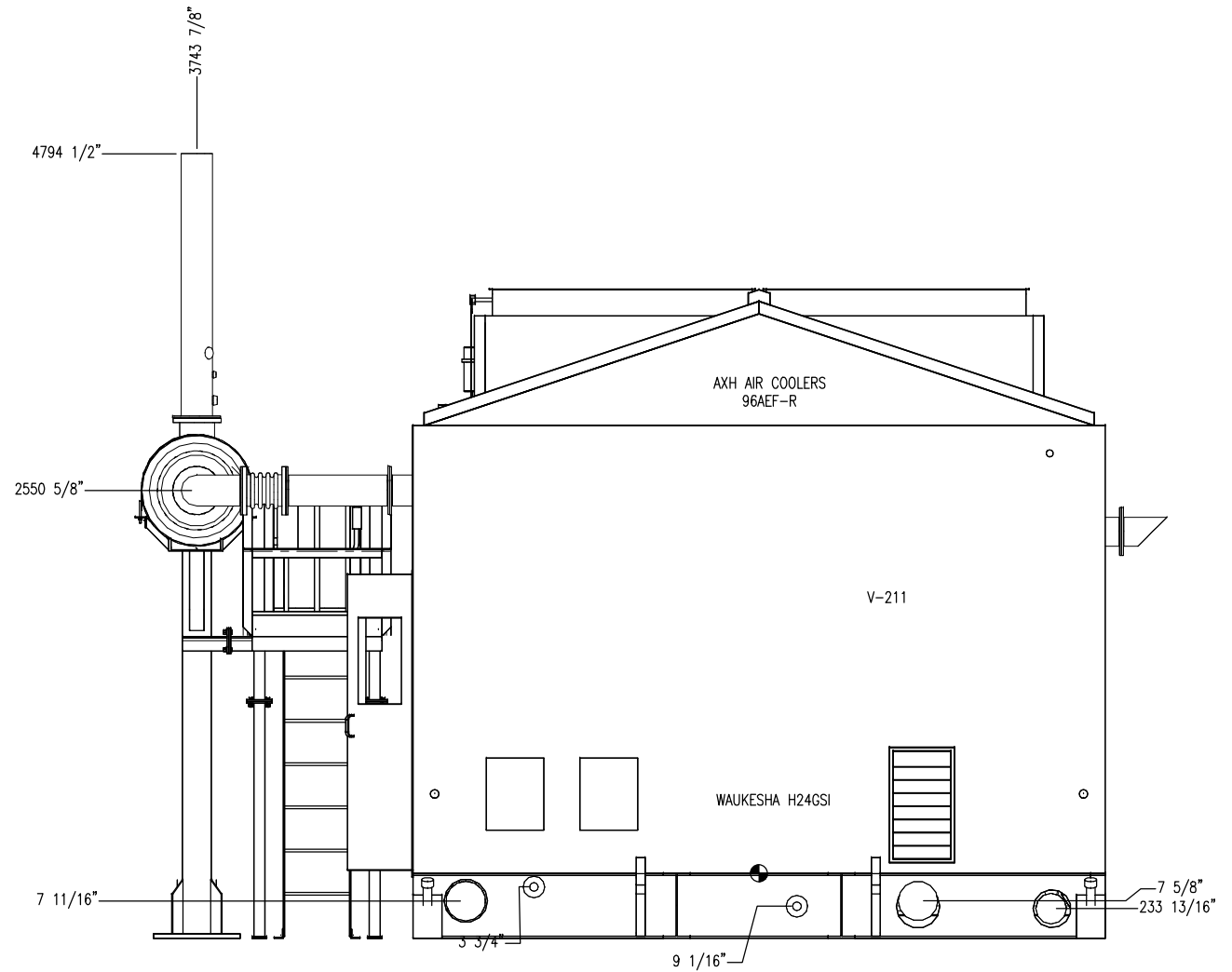
THE INFORMATION CONTAINED HEREIN IS THE CONFIDENTIAL PROPERTY OF ENERFLEX, LTD. AND IS NOT FOR PUBLICATION, AND NO PART THEREOF SHALL BE COPIED OR COMMUNICATED TO A THIRD PARTY WITHOUT AUTHORIZATION FROM ENERFLEX, LTD.



ISOMETRIC VIEW 'B'



ISOMETRIC VIEW 'A'



ELEVATION VIEW C-C

**FINAL AS BUILT**  
 NAME C.EASTHOPE DATE DEC 04/12

NOTE:  
 ALL TAIL DIMENSIONS ARE  
 TAKEN FROM REFERENCE  
 POINT AT TOP OF SKID

				DATE 08/09/12	SCALE 1/2"=1'-0"	ENERFLEX LTD. RENTAL		<b>ENERFLEX</b> Calgary, Alberta, Canada	GENERAL ARRANGEMENT	
				DRAWN BY J.Steinke	CHECKED BY K.Oxford	APPROVED BY L.DIOQUINO				
				PROJECT MANAGER S.PRITCHARD	PROJECT ENGINEER L.DIOQUINO		Waukesha H24GSI			
				CUST PO N/A		ARIEL JGJ/4-3 STD SWEET				
REV	DESCRIPTION	DATE	BY	APR	APEGGA PERMIT No: P8651	STEP CODE 198/298/490/511/591	WORK ORDER 31971	DWG NO 31971-201	SHT 4	REV 1

PLOT DATE Dec 04, 2012, ceasthope P:\30000 Projects\31971 EFX Rental H24GSI u04-3\4. Drafting\31971-MODEL.dwg

THE INFORMATION CONTAINED HEREIN IS THE CONFIDENTIAL PROPERTY OF ENERFLEX, LTD., AND IS NOT FOR PUBLICATION, AND NO PART THEREOF SHALL BE COPIED OR COMMUNICATED TO A THIRD PARTY WITHOUT AUTHORIZATION FROM ENERFLEX, LTD.



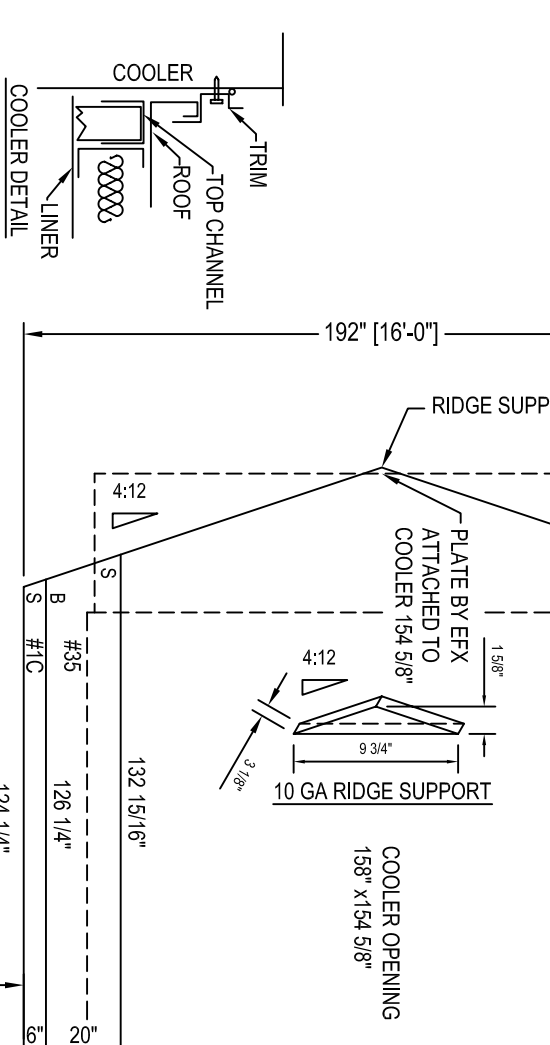
- NOTES:
- EXTERIOR WALLS TO BE: 22GA TAN OC8315
  - EXTERIOR ROOF TO BE: 22GA TAN OC8315
  - EXTERIOR TRIM TO BE: 22GA TAN OC8315
  - DOORS TO BE PAINTED: TAN OC8315
  - INTERIOR LINER TO BE: 24GA FLUTED ALUMINUM (NATURAL COLOR)
  - INSULATION IN ROOF: R-12 FIBERGLASS BATT
  - VAPOR BARRIER TO BE: 4 MIL

SURFACE AREA = 1289 SQ/FT.  
 APROX. TOTAL SHIPPING WEIGHT = 5,500 LBS. BUILDING ONLY

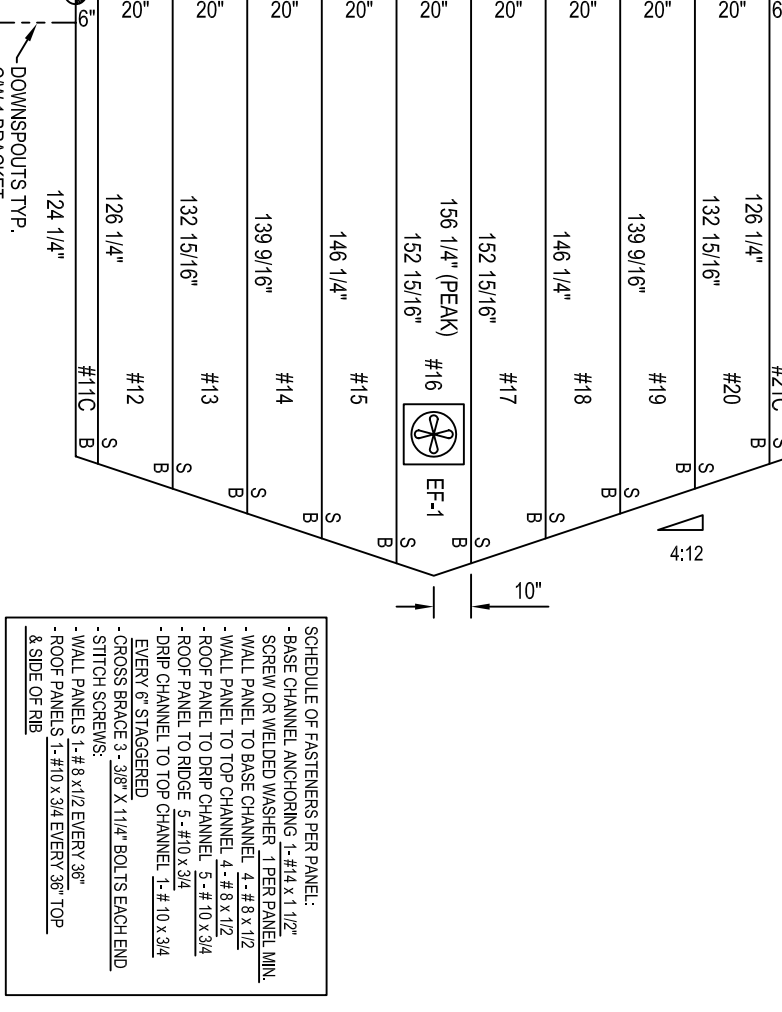
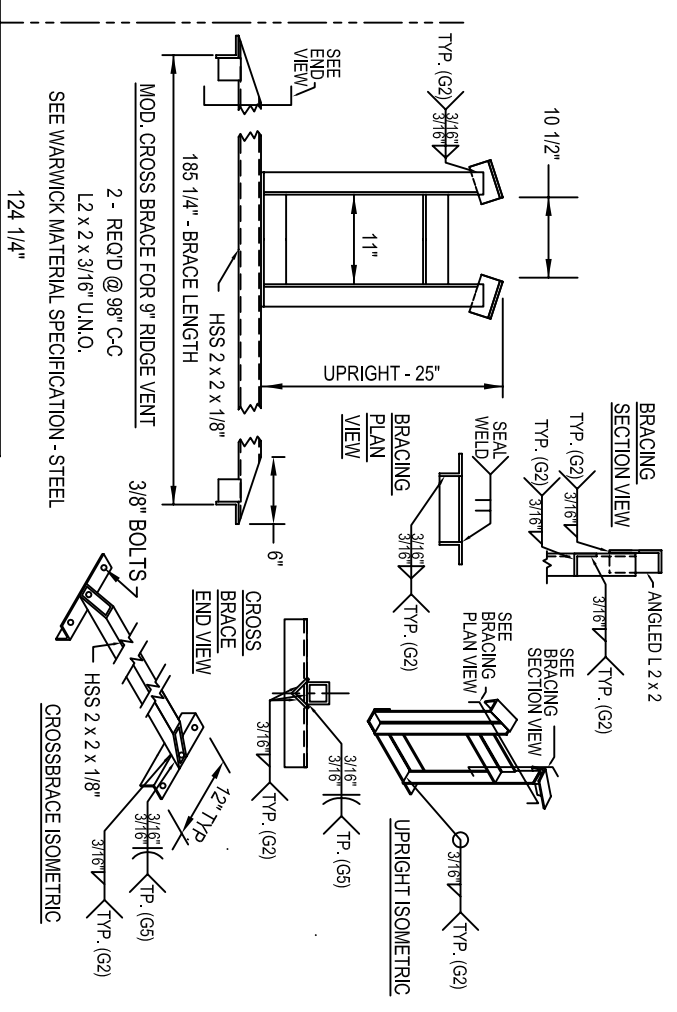
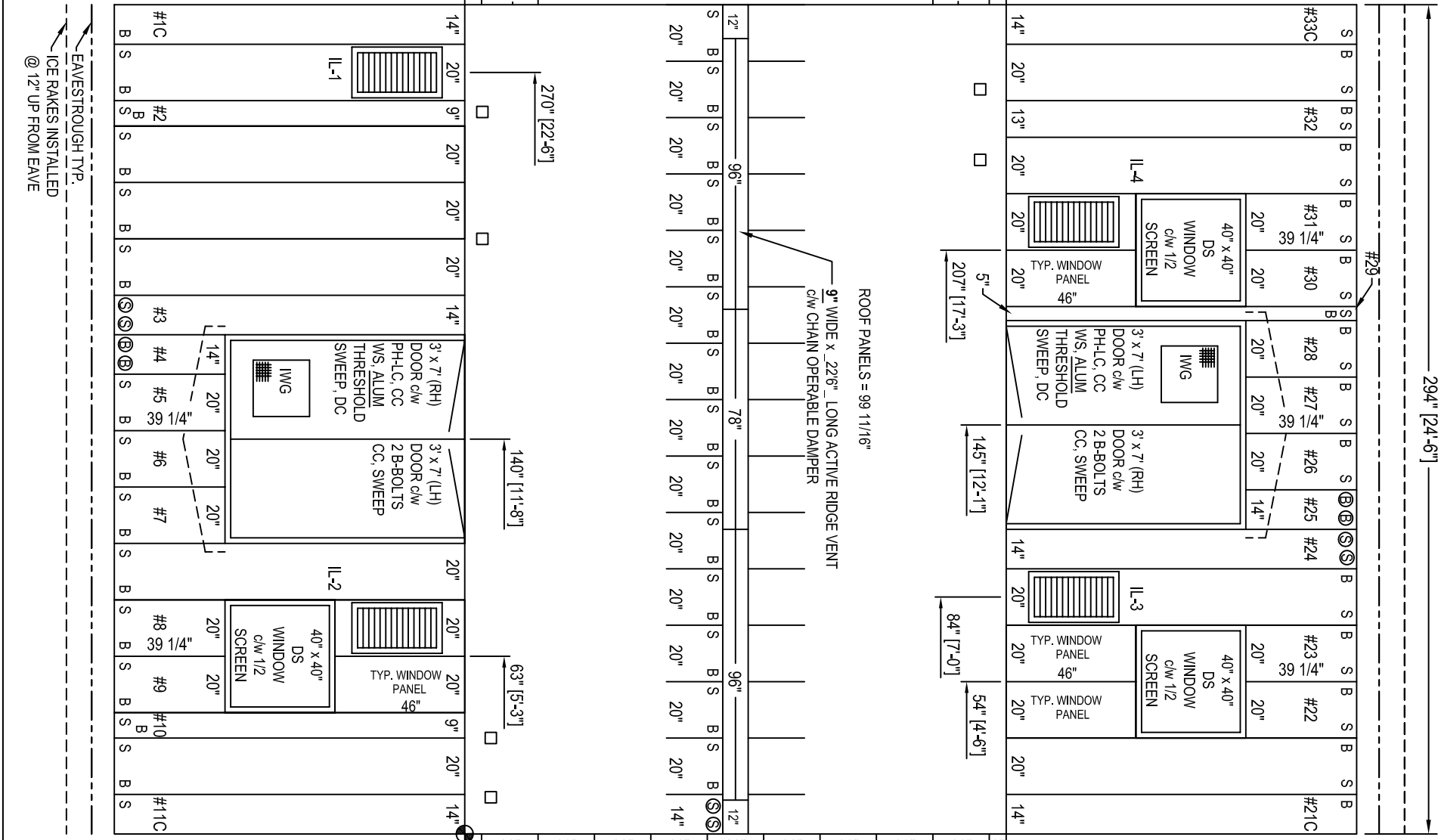
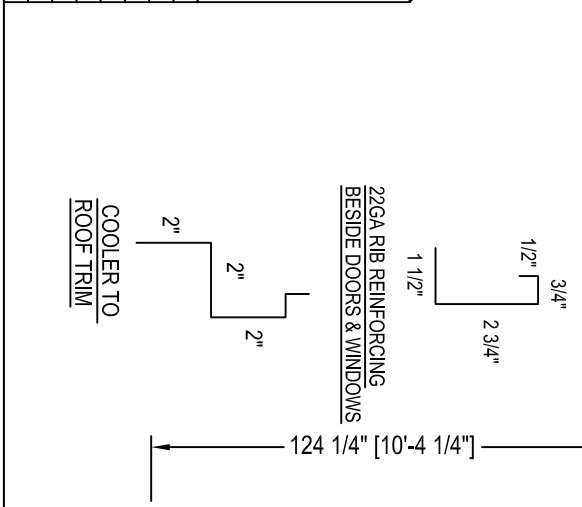
- 4 - 18" x 32" MANUALLY ADJUSTABLE LOUVERS c/w BIRD SCREENS
- 1 - 16" VENTURI XP WALL MOUNTED EXHAUST FAN 115/230V, 1ph, 60hz, 1/4hp (MIN. 12 ACPH) CLASS 1, DIV 1, GROUP C&D c/w BACKRAFT/DAMPNER & WEATHER HOOD (TO BE INSTALLED)
- 1 - XT-312 EXPLOSION PROOF THERMOSTAT
- 2 - DOUBLE DOOR CANOPIES (SHIP LOOSE)
- 3 - ESD SHROUDS, 1 - 12" WIDE, 2 - 8" WIDE
- SKID PATCHING REQ'D
- CLIMASEAL FASTENERS THROUGHOUT

- DESIGN LOADS: MOUNTAINTAL CO.ND.  
 SNOW = 40PSF  
 WIND = 100 MPH - 2 SEC. GUST

- FOR THIS PROJECT WE USED:
- 3" WP NO R FOR THE WALLS
  - 3" RP- 6 FOR THE ROOF
- APX. OVERALL BLDG. DIMENSIONS:
- WIDTH = 207"
  - HEIGHT = 163" PLUS SKID



- NOTES:
- BUILDING IS DESIGNED TO COMPLY WITH I.B.C. 2009 AS PER THE WIND AND SNOW LOAD SPECIFIED ON THE DRAWING. OWNER SHALL CONTACT WARWICK INDUSTRIES, IF ACTUAL BUILDING LOCATION DIFFERS FROM THOSE SHOWN, IN ORDER TO VALIDATE THE STABILITY OF THE DESIGN FOR THE INTENDED LOCATION.
- NOTE:
- ALL DIMENSIONS ARE IN INCHES AND DECIMAL INCHES.
  - DO NOT SCALE DRAWINGS.
  - ALL DIMENSIONS TO WINDOWS AND DOORS ARE TO ROUGH OPENINGS.
  - CONFIRM LOCATION OF ANY LOUVERS AND OR FANS PRIOR TO INSTALLATION
  - CENTER BUILDING ON SKID
  - BUILDING INSTALLATION & ASSEMBLY SHALL BE AS PER WARWICK INSTALLATION MANUAL, AND DETAILS WHERE THERE ARE CONFLICTS INFORMATION ON DRAWINGS SHALL BE TAKEN AS CORRECT



6899 84 ST SE,  
 Calgary, Alberta, T2C 4T6  
 Telephone (403) 720-9425,  
 Fax (403) 720-9426

**Warwick INDUSTRIES LTD**

Dwg Name	SHOP & FIELD PRINT
Rev. No.	Date:
0	4/10/2012
1	8/11/2012
2	
3	
4	

Customer	ENERFLEX
REFERENCE	31971 EOG RENTAL CLARKS CREEK NORTH DAKOTA
CUSTOMER P.O.#	MP558154
LOCATION	ENERFLEX 34TH STREET NE
DATE REQUIRED	NOVEMBER 2012
JOB NUMBER	W29417
DRAWING #	W29417-01

SCHEDULE OF FASTENERS PER PANEL:

- BASE CHANNEL ANCHORING 1- #14 x 1 1/2"
- SCREW OR WELDED WASHER 1 PER PANEL MIN.
- WALL PANEL TO BASE CHANNEL 4- #8 x 1/2"
- WALL PANEL TO TOP CHANNEL 4- #8 x 1/2"
- ROOF PANEL TO DRIP CHANNEL 5- #10 x 3/4"
- ROOF PANEL TO RIDGE 5- #10 x 3/4"
- DRIP CHANNEL TO TOP CHANNEL 1- #10 x 3/4"
- EVERY 6" STAGGERED
- CROSS BRACE 3- 3/8" x 11/4" BOLTS EACH END
- STITCH SCREWS:
- WALL PANELS 1- #8 x 1/2 EVERY 36"
- ROOF PANELS 1- #10 x 3/4 EVERY 36" TOP & SIDE OF RIB