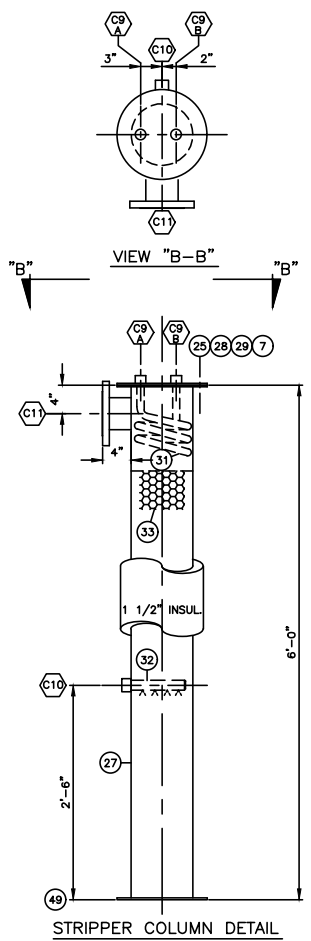
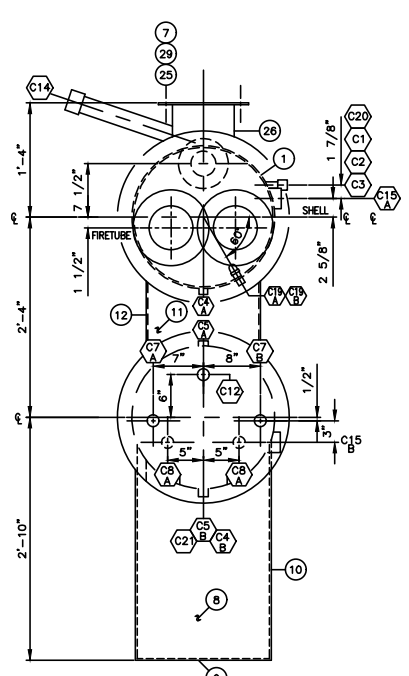
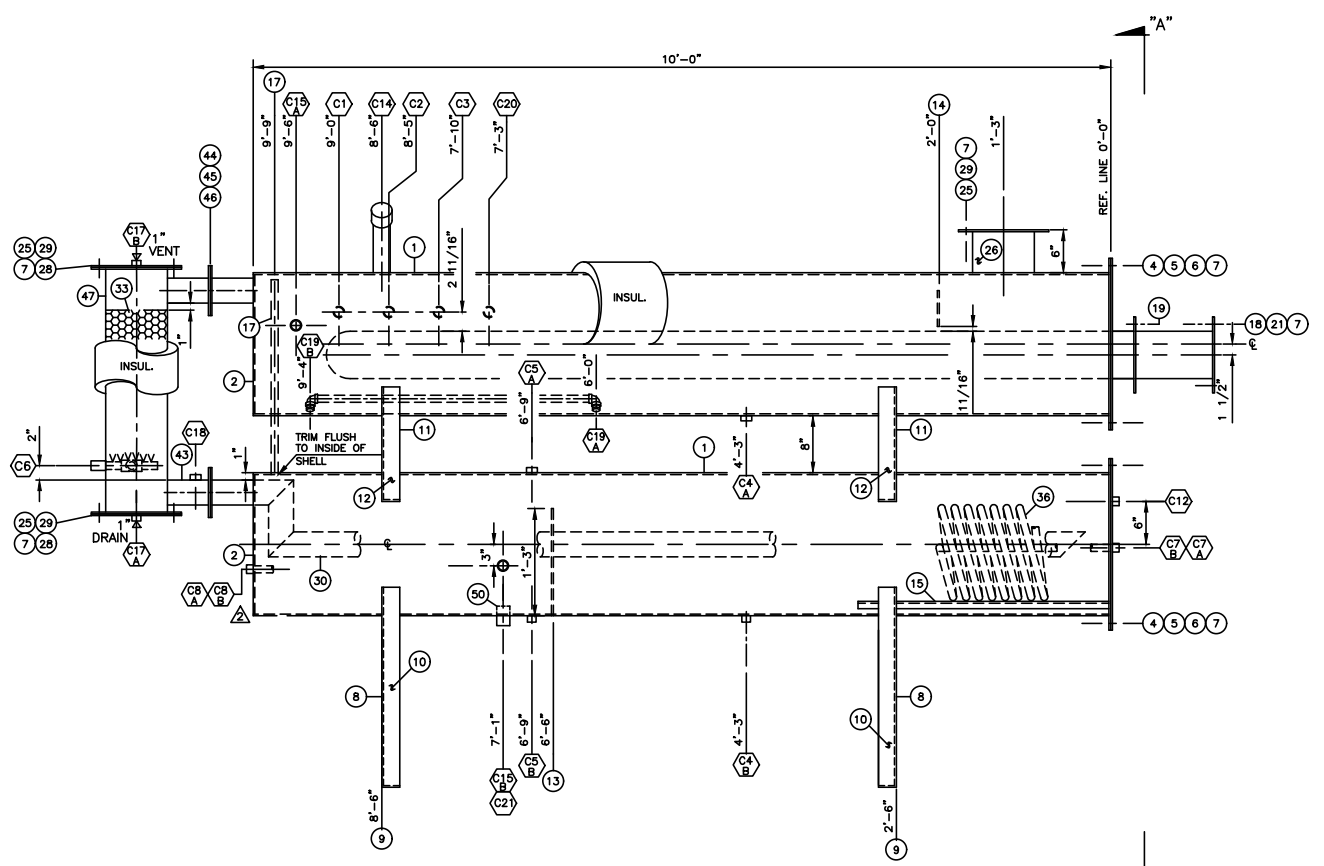


| MARK | REQ'D | SIZE | RATING | SERVICE | REMARKS |
|------|-------|------|------------|------------------------|---------|
| C1 | 1 | 3/4" | 3000# CPLG | TI | |
| C2 | 1 | 3/4" | 3000# CPLG | HTSD | |
| C3 | 1 | 1" | 3000# CPLG | TC | |
| C4 | 2 | 1" | 3000# CPLG | DRAINS | |
| C5 | 2 | 3/4" | 3000# CPLG | LG | |
| C6 | 1 | 1/2" | 3000# CPLG | STRIPPING GAS | |
| C7 | 2 | 1" | 3000# CPLG | GLYCOL COIL | |
| C8 | 2 | 3/4" | 3000# CPLG | PREHEAT COIL | |
| C9 | 2 | 3/4" | 3000# CPLG | STILL COLUMN COIL | |
| C10 | 1 | 1" | 3000# CPLG | GLYCOL INLET | |
| C11 | 1 | 4" | 150# RF | VENT | |
| C12 | 1 | 1" | 3000# CPLG | SKIMMER | PLUGGED |
| C13 | 1 | 3/4" | 3000# CPLG | SAMPLE/DRAIN | PLUGGED |
| C14 | 1 | 2" | PIPE | FILL (TOP SHELL) | CAPPED |
| C15 | 2 | 2" | 3000# CPLG | LLSD | |
| C17 | 2 | 1" | 3000# CPLG | H.P. VENT & L.P. DRAIN | PLUGGED |
| C18 | 1 | 1" | 3000# CPLG | FILL/PSV | |
| C19 | 2 | 3/4" | 3000# | STRIPPING PREHEAT COIL | |
| C20 | 1 | 3/4" | 3000# CPLG | TIT | |
| C21 | 1 | 2" | 3000# CPLG | GLYCOL OUTLET | |

| BILL OF MATERIALS | | | |
|-------------------|-------------------|------------------------------------------------------|-------------|
| TAG NO. | QNTY. | DESCRIPTIONS | MAT'L SPEC. |
| 1 | 2 | SHELL- 20" OD SCH 10 PIPE | S.S. |
| 2 | 2 | END PLATE- 19 5/8" OD x 1/4" THK. PLATE | S.S. |
| 3 | | | |
| 4 | 2 | HEATER FLANGE | S.S. |
| 5 | 2 | BLIND FLANGE | S.S. |
| 6 | 2 | GASKET | GARLOK |
| 7 | 120 | BOLTS | S.S. |
| 8 | 2 | SADDLE PLATE- 1/4" THK. x 1'-7" WD | SA-44W |
| 9 | 2 | BASE PLATE- 1/4" THK. x 3" WD | SA-44W |
| 10 | 4 | SIDE PLATE- 1/4" THK. x 3" WD | SA-44W |
| 11 | 2 | SUPPORT SADDLE- 1/4" THK. x 1'-7" WD | SA-44W |
| 12 | 4 | SIDE SUPPT SADDLE- 1/4" THK. x 3" WD | SA-44W |
| 13 | 1 | BAFFLE- 1/4" THK. PLATE x 19 3/8" WD | S.S. |
| 14 | 1 | BAFFLE- 1/4" THK. PLATE x 4" WD | S.S. |
| 15 | 2 | COIL SUPPT- 2" x 2" x 3/16" THK ANGLE BAR x 3'-0" LG | S.S. |
| 16 | 21' | FIRETUBE- 6" SCH STD PIPE | S.S. |
| 17 | 1 | EQUALIZING LINE- 1" SCH 80 SML'S PIPE | S.S. |
| 18 | 1 | FIRETUBE FLANGE | S.S. |
| 19 | 1 | FIRETUBE FLANGE | S.S. |
| 20 | 1 | STACK FLANGE | C.S. |
| 21 | 2 | FIRETUBE GASKET | GARLOK |
| 22 | 3 | SUPPORT- 2" x 2" x 3/16" THK. ANGLE BAR | SA-44W |
| 23 | 1 | STACK- 6 5/8" OD PIPE x 0.250" WALL | C.S. |
| 24 | 1 | STACK- 6 5/8" OD PIPE x 0.250" WALL | C.S. |
| 25 | 4 | STILL/STRIPPING COLUMN FLANGE | S.S. |
| 26 | 1 | STILL COL. NECK- 8" SCH STD PIPE | S.S. |
| 27 | 1 | STILL COL- 8" SCH STD PIPE | S.S. |
| 28 | 3 | BLIND FLANGE | S.S. |
| 29 | 4 | GASKET | GARLOK |
| 30 | 1 | PIPE- 3" SCH STD PIPE | S.S. |
| 31 | 10' | STILL COIL- 3/4" SCH 80 PIPE x 7" OD x 6 PASSES | S.S. |
| 32 | 1 | GLYCOL DISTRIBUTOR - 1" SCH 80 PIPE | S.S. |
| 33 | 4 FT ³ | PALL RINGS- 1" OD SERRATED | S.S. |
| 34 | | | |
| 35 | 1 | LIFT LUG - 6" x 6" x 1/4" THK. PLATE | SA-44W |
| 36 | 1 | GLYCOL COIL- 1" SCH 80 PIPE x 120' LG | S.S. |
| 37 | 1 | SMOKE STACK COVER- 12" OD x 1/4" THK PLATE | SA-36 |
| 38 | 3 | SMOKE STACK SUP'T- 1" x 1/4" THK. FLAT BAR | SA-36 |
| 39 | 1 | SHROUD 10 3/4" OD x SCH 20 PIPE | SA-36 |
| 40 | 1 | SLIDING SHOE- 1 1/2" SCH 80 PIPE | S.S. |
| 41 | 1 | SHOE SUP'T- 2" x 1/4" THK. PLATE | S.S. |
| 42 | 1 | PIPE- 2" SCH 40 | S.S. |
| 43 | 4 | STRIP. NOZ. NECK- 3" SCH STD. PIPE | S.S. |
| 44 | 8 | STUDS | S.S. |
| 45 | 2 | GASKET- 3" 150# RF | 316 SS |
| 46 | 4 | FLG. 3" 150# RF SLIP ON | S.S. |
| 47 | 1 | STRIP. COL- 8" SCH STD PIPE | S.S. |
| 48 | 1 | HOLD DOWN CLIP- 2" x 2" x 3/16" ANGLE | S.S. |
| 49 | 1 | FLG- 12 5/8" OD x 8 1/8" ID x 3/8" THK | S.S. |
| C1/C2 | 3 | FULL CPLG- 3/4" 3000# NPT | S.S. |
| C3 | 3 | NECK- 1" SCH 80 | S.S. |
| C3 | 1 | FULL CPLG- 1" 3000# NPT c/w 1" PIPE | S.S. |
| C4 | 2 | CPLG- 1" 3000# NPT (A) FULL & (B) HALF | S.S. |
| C5 | 2 | HALF CPLG- 3/4" 3000# NPT | S.S. |
| C6 | 1 | FULL CPLG- 1/2" 3000# NPT | S.S. |
| | 1 | CROSS TEE- 1/2" 3000# NPT | S.S. |
| | 2 | NIPPLE- 1/2" SCH 80 | S.S. |
| C7 | 2 | FULL CPLG- 1" 3000# NPT x SW | S.S. |
| | 2 | ELBOW- 1" S.W. x 90° LR | S.S. |
| C8/C9 | 4 | FULL CPLG- 3/4" 3000# NPT x SW | S.S. |
| | 4 | ELBOW- 3/4" S.W. x 90° LR | S.S. |
| | 2 | PIPE- 3/4" SCH 80 x 9'-0" LONG | S.S. |
| C9 | 2 | FULL CPLG- 3/4" 3000# NPT x SW | S.S. |
| | 2 | ELBOW- 3/4" S.W. x 90° LR | S.S. |
| C10 | 1 | FULL CPLG- 1" 3000# NPT x SW | S.S. |
| | 1 | NIPPLE- 1" SCH 80 x | S.S. |
| C11 | 1 | FLG- 4" 150# RF SLIP ON | S.S. |
| | 1 | PIPE- 4" SCH 40 SML'S PIPE | S.S. |
| C12/C17 | 4 | HALF CPLG- 1" 3000# NPT | S.S. |
| C13 | 1 | HALF CPLG- 3/4" 3000# NPT c/w PLUG | SA-105 |
| C14 | 1 | FILL- 2" SCH 80 PIPE TOE/POE c/w 2" NPT CAP | S.S. |
| C15 | 2 | HALF CPLG- 2" 3000# NPT | S.S. |
| | 2 | 3" SCH STD PIPE x 3" LONG | S.S. |
| C18 | 1 | HALF CPLG- 1" 3000# NPT | S.S. |
| C21 | 1 | HALF CPLG- 2" 3000# NPT | S.S. |



| DWG. NO. | REFERENCE DRAWINGS | REV | DESCRIPTION | DATE | BY |
|----------|--------------------|-----|---------------------------------------|----------|------|
| | | △ | REVISED VENT CONN. C11 TO 4" 150# RF. | 01/07/09 | Y.P. |
| | | △ | REMOVED BOTTOM SHELL FLG | 01/21/09 | O.L. |



| | | | | | |
|--------------------------------|---------|------------------|----------|---------------|----------|
| CUSTOMER: | | NEXEN INC. | | LOCATION: | |
| c/o TRI OCEAN ENGINEERING LTD. | | | | b-16-1/94-0-8 | |
| | | P.O.# 4500105121 | | | |
| GLYCOL REBOILER c/w STRIPPING | | | | | |
| 20" OD x 10'-0" 250,000 BTU/HR | | | | | |
| DATE: | DRN BY: | SCALE: | CHKD BY: | APPRD BY: | DWG NO: |
| 11/12/08 | Y.P. | 1":1'-0" | | | C-3026-E |

(1) REQ'D
TIME CARD
C-3026-RB