

PLAN VIEW



*N. Ganapathy*

THIS DRAWING IS SOLE PROPERTY OF BIDEILL EQUIPMENT AND SHALL NOT BE REPRODUCED, COPIED, LENT, ALTERED NOR USED FOR ANY PURPOSE OTHER THAN WHICH IT IS FURNISHED EXCEPT WITH THE WRITTEN PERMISSION OF BIDEILL EQUIPMENT

AS BUILT

**AS BUILT**

2016/04/13

F21	2"-NPT	LIQUID HOLDING TANK PUMPOUT
F20	2"-NPT	WASTE OIL TANK PUMPOUT
P3A	2"-150#RF	PACKING PURGE
U31	1"-PIPE	SEAL POT PSV
U30	1" PIPE	LOW PRESSURE FLARE
U27	2"-150#RF	INSTRUMENT AIR SUPPLY
U20	4"-150#RF	FLARE HEADER
U7	2"-600#RF	SCRUBBER DRAIN HEADER
P9	3"-900#RF	FINAL DISCHARGE
P1	3"-600#RF	INLET
TAG	SIZE & RATING	SERVICE / DESCRIPTION

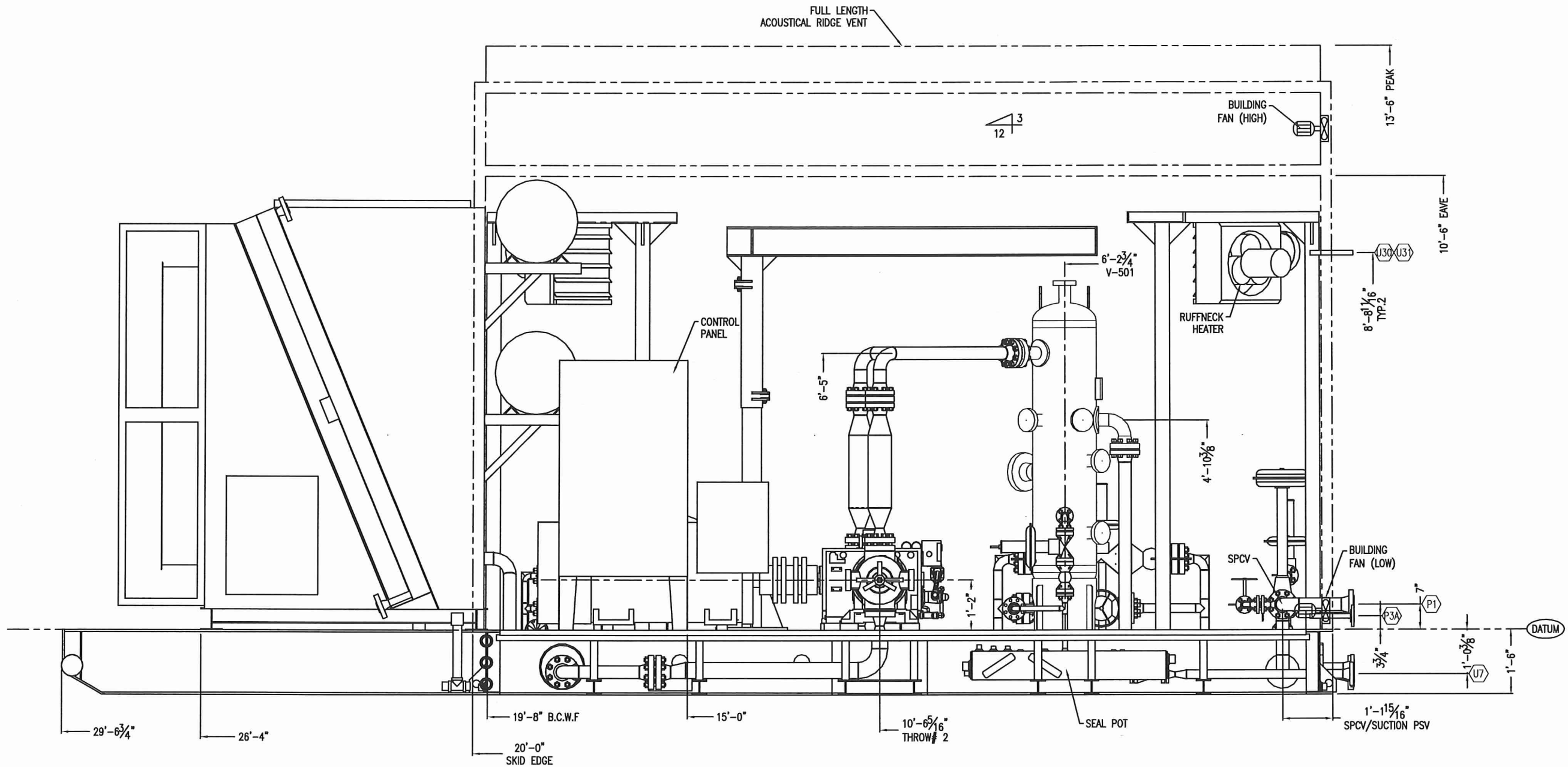
TOTAL PACKAGED UNIT  
 TOTAL PACKAGE WEIGHT = 46,000 lbs  
 TOTAL PACKAGE LENGTH = 30'-1"  
 TOTAL PACKAGE WIDTH = 17'-4"  
 TOTAL PACKAGE HEIGHT = 15'-0"

SCHEDULE OF OPENINGS

REV	DATE	CREATED	REVISED	APPROVED	DESCRIPTION
D	16-04-13	KM	CP	AH	AS BUILT
C	15-08-24	JQ	CP	AH	MOVED SKID EDGE CONNECTIONS
B	15-08-12	JQ	CP	AH	ISSUED FOR CONSTRUCTION
A	15-07-22	JQ	CP	AH	RE-ISSUED FOR APPROVAL
O	15-07-13	JQ	CP	AH	ISSUED FOR APPROVAL

REVISIONS	
MAN SHOP / OFFICE	6900 - 112th AVENUE S.E. CALGARY, AB T2C 4E1 PHONE: (403) 235-5877 FAX: (403) 272-7749
<b>BIDEILL</b>	GENERAL ARRANGEMENT (PLAN VIEW)
BALDOR G50102 / ARIEL JG1/2 / AIR-X B1AEF	
CUSTOMER: TOURMALINE OIL CORPORATION c/o OEL PROJECTS LTD.	
LOCATION: 9969 GAS LIFT COMPRESSOR	SHEET#: 1 OF 4
LSO: 12-06-B1-07 W6M	JOB#: 15-943
PAPER SIZE 11"x17"	SCALE NTS
DWG# 15-943-100	REV D



SOUTH ELEVATION



THIS DRAWING IS SOLE PROPERTY OF BIDEILL EQUIPMENT AND SHALL NOT BE REPRODUCED, COPIED, LENT, ALTERED NOR USED FOR ANY PURPOSE OTHER THAN WHICH IT IS FURNISHED EXCEPT WITH THE WRITTEN PERMISSION OF BIDEILL EQUIPMENT

**AS BUILT**

**AS BUILT**

2016/04/13

REV	DATE	CREATED	REVIEWED	APPROVED	DESCRIPTION
D	16-04-13	KM	CP	AH	AS BUILT

REVISIONS	
MAN SHOP / OFFICE 6900 - 112th AVENUE S.E. CALGARY, AB T2C 4Z1 PHONE: (403) 235-5877 FAX: (403) 272-7748	<b>BIDEILL</b> GAS COMPRESSION

APEGA PERMIT NUMBER P08318

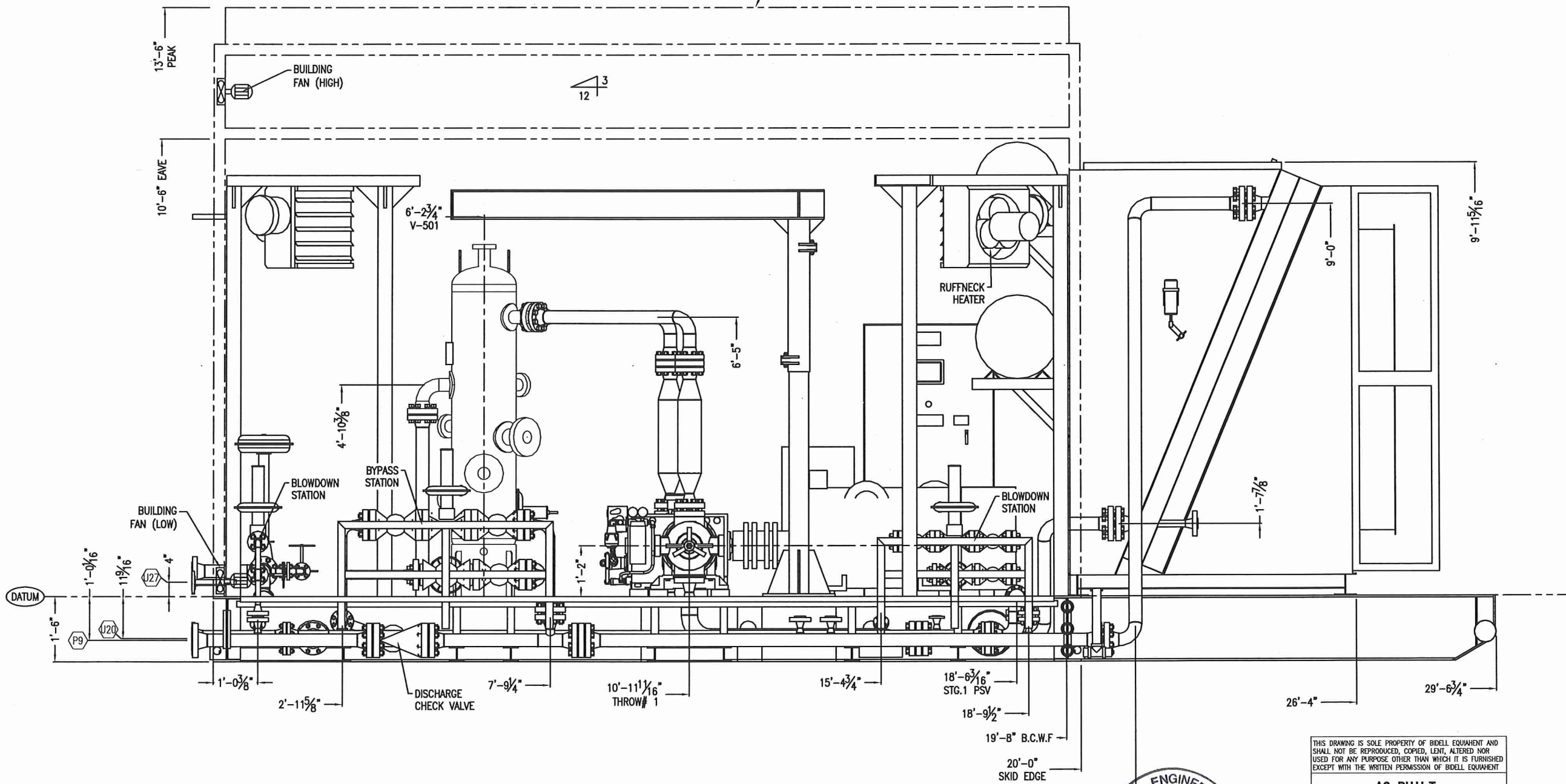
GENERAL ARRANGEMENT (SOUTH ELEVATION VIEW)  
BALDOR G5010Z / ARIEL JG1/2 / AIR-X B1AEF

CUSTOMER: TOURMALINE OIL CORPORATION c/o DEL PROJECTS LTD.  
LOCATION: 9969 GAS LIFT COMPRESSOR  
LSD: 12-06-81-07 W6M

SHEET#: 2 OF 4  
JOB#: 15-943

PAPER SIZE 11"x17"	SCALE NTS	DWG#	15-943-100	REV D
-----------------------	--------------	------	------------	----------

FULL LENGTH  
ACOUSTICAL RIDGE VENT



NORTH ELEVATION

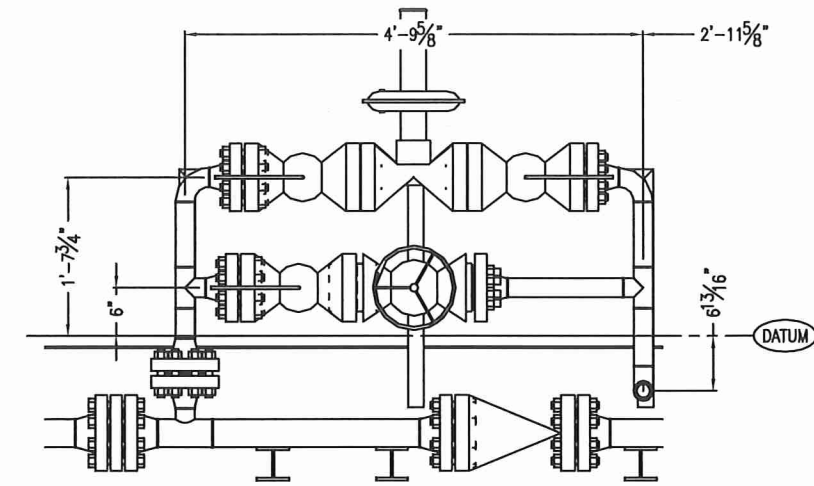
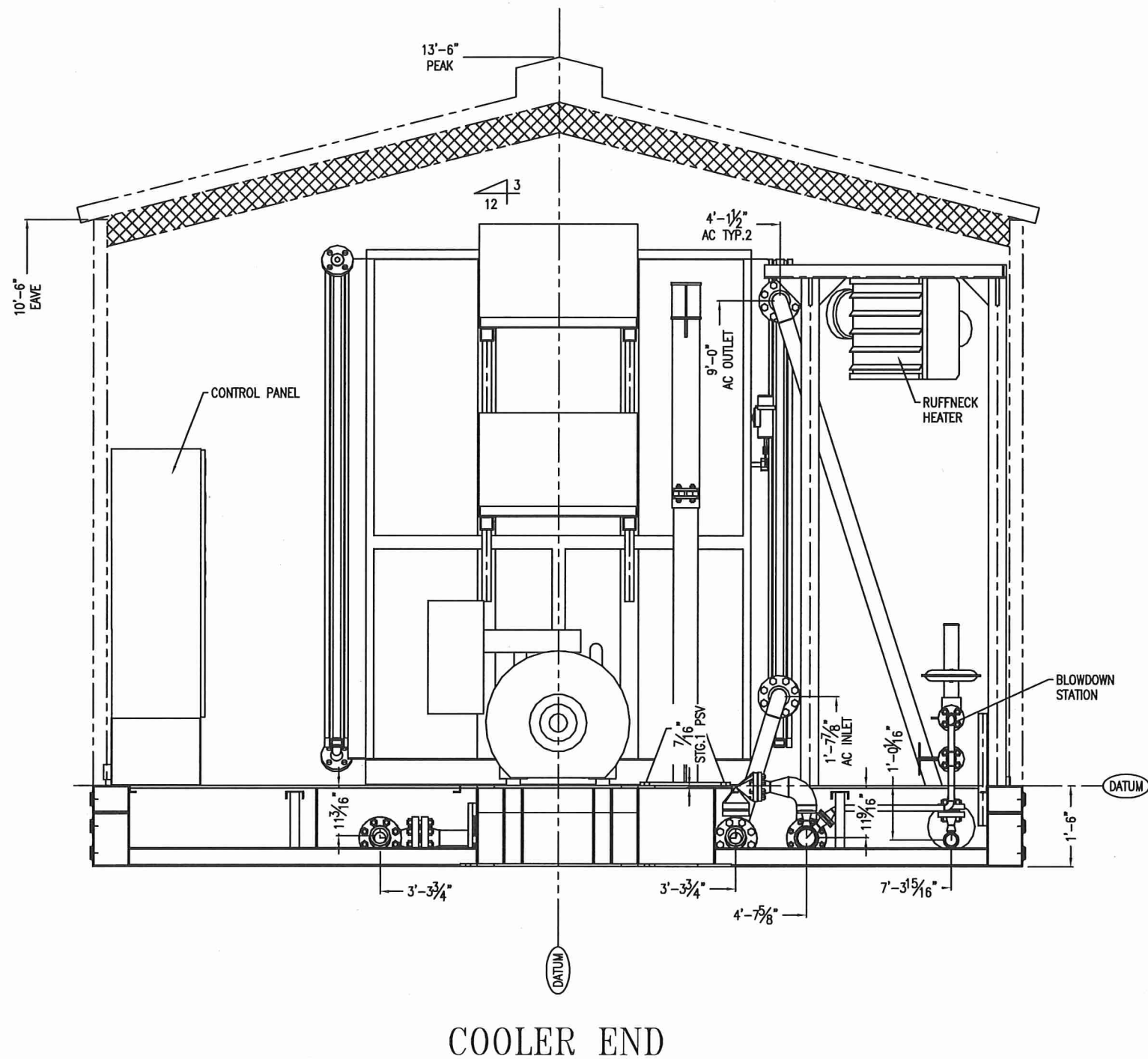


*N. Ganapathy*

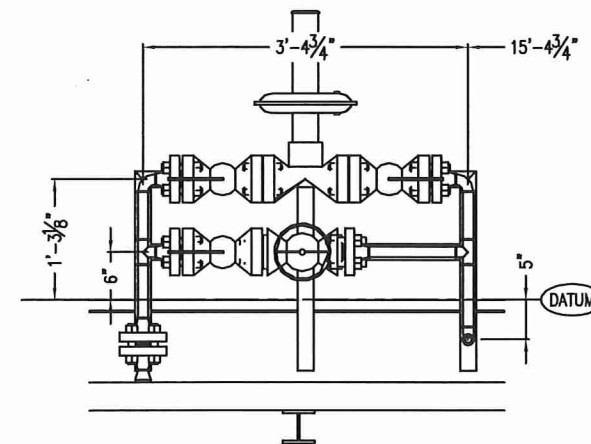
THIS DRAWING IS SOLE PROPERTY OF BIDEILL EQUIPMENT AND SHALL NOT BE REPRODUCED, COPIED, LENT, ALTERED NOR USED FOR ANY PURPOSE OTHER THAN WHICH IT IS FURNISHED EXCEPT WITH THE WRITTEN PERMISSION OF BIDEILL EQUIPMENT

AS BUILT  
**AS BUILT**  
2016/04/13

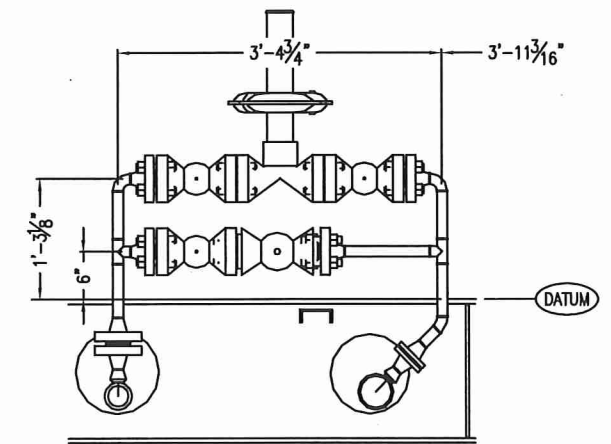
REV	DATE	CREATED	REVIEWED	APPROVED	DESCRIPTION
D	16-04-13	KM	CP	AH	AS BUILT
REVISIONS					
MAIN SHOP / OFFICE 6900 - 112th AVENUE S.E. CALGARY, AB T2C 4Z1 PHONE: (403) 235-5877 FAX: (403) 272-7749					
			<b>BIDEILL</b>		APEGA PERMIT NUMBER P08318
GENERAL ARRANGEMENT (NORTH ELEVATION VIEW)					
CUSTOMER: TOURMALINE OIL CORPORATION c/o OEL PROJECTS LTD.					
LOCATION: 9969 GAS LIFT COMPRESSOR					
LSD: 12-06-81-07 W6M					
PAPER SIZE 11"x17"		SCALE NTS		DWG# 15-943-100	
				REV D	



BYPASS STATION



BLOWDOWN STATION



BLOWDOWN STATION



*N. Ganapathy*

THIS DRAWING IS SOLE PROPERTY OF BIDELL EQUIPMENT AND SHALL NOT BE REPRODUCED, COPIED, LENT, ALTERED NOR USED FOR ANY PURPOSE OTHER THAN WHICH IT IS FURNISHED EXCEPT WITH THE WRITTEN PERMISSION OF BIDELL EQUIPMENT

AS BUILT

**AS BUILT**

2016/04/13

REV	DATE	CREATED	REVIEWED	APPROVED	DESCRIPTION
D	16-04-13	KM	CP	AH	AS BUILT
REVISIONS					
MAIN SHOP / OFFICE 6900 - 112th AVENUE S.E. CALGARY, AB T2C 4Z1 PHONE: (403) 235-5877 FAX: (403) 272-7749					
<b>BIDELL</b>			APEGA PERMIT NUMBER POB318		
GAS COMPRESSION					
GENERAL ARRANGEMENT (COOLER ELEVATION VIEW)					
BALDOR G5010Z / ARIEL JGJ/2 / AIR-X 81AEF					
CUSTOMER: TOURMALINE OIL CORPORATION c/o OEL PROJECTS LTD.					
LOCATION: 9969 GAS LIFT COMPRESSOR				SHEET#: 4 OF 4	
LSD: 12-06-81-07 W6M				JOB#: 15-943	
PAPER SIZE 11"x17"		SCALE NTS		DWG# 15-943-100	
					REV D