



CONTINUOUS 1250 KW POWER MODULE

60 Hz with On-Package Auto Paralleling Control System

Voltage	Continuous kW (kVA)
480/277V	1250 (1562.5)

FEATURES

The XQ1250G incorporates a wide range of rugged features into a mobile, natural gas powered, rental package. Each unit is factory designed and production tested to deliver a package ready to be connected to your fuel and power lines. Supported 100% by your Cat dealer with warranty on parts and labor with Extended Warranty available in most areas. The generator set is designed and manufactured in an ISO 9001:2000 compliant facility. Generator set and components meet or exceed the following specifications:

AS1359, AS2789, ABGSM TM3, BS4999, DIN6271, DIN6280, EGSA101P, JEM1359, IEC 34/1, ISO3046/1, ISO8528, NEMA MG1-22

RELIABLE, FUEL EFFICIENT GAS ENGINE

The compact, four-stroke-cycle Cat® G3516 Low Emission gas engine combines durability with minimum weight while providing exceptional dependability, economy, and power density. The G3516B uses a new robust kilowatt based air to fuel ratio control system providing enhanced system performance. The fuel system is designed for maximum performance on low pressure pipeline natural gas (5-10 psi to the container).

CAT SR4B GENERATOR

Single bearing, wye-connected, static regulated, brushless, permanent magnet excited, the Cat SR4B 824 frame generator designed to match the performance and output characteristics of the Cat gas engine driving it.

CAT ON-PACKAGE AUTO PARALLELING SYSTEM

Provides single unit stand alone, paralleling with other units, and single unit-to-utility paralleling capability (consult your local Cat Dealer to ensure correct application and transient load performance). Operational modes are standby or base load control with soft load/unload and power factor control. Utility/intertie protection features provided by the standard Utility Multi-function Relay (UMR).

CAT COOLING SYSTEM

Remote horizontally mounted radiator with vertical discharge for close proximity to buildings. Sized compatible to rating with energy efficient electric drive fan and core. The cooling system provides 43° C (104° F) ambient capability for continuous 1 g/bhp NO_x rating or 38° C (100° F) ambient capability for 0.5 g/bhp NO_x rating.

EXCLUSIVE CAT DIGITAL VOLTAGE REGULATOR (CDVR)

Three-phase sensing and adjustable Volts-per-Hertz regulation give precise control, excellent block loading, and constant voltage in the normal operating range.

ENVIRONMENTALLY FRIENDLY

110% spill containment of onboard engine fluids
Positive crankcase fumes ventilation

SOUND ATTENUATED CONTAINER

CSC approved for ease of transportation and protection. Enclosure designed with 4 inch sound attenuating panels and air inlet louvers, and critical grade exhaust silencer.

FACTORY INSTALLED STANDARD EQUIPMENT

SYSTEM	STANDARD EQUIPMENT
Engine	Cat G3516B Low Emission Gas Engine capable of New Source Performance Standard (NSPS) certification on-site (Operates on 31.5 to 47.2 MJ/Nm ³ (800 to 1200 btu/cu ft) dry pipeline natural gas) Cat Engine Advisor Panel provides engine diagnostics and full text descriptions Cat Gas Engine Control Module (based on ADEM III) includes electronic speed governor with hydrax actuator and provides transient richening and turbo bypass control Electronic Ignition System (controlled by ECM) Individual cylinder Detonation Sensitive Timing (DST) Engine installed electronic fuel metering valve Hydraulic actuated throttle plate electronically controlled by ECM Heavy duty, single element canister type air cleaner with service indicator 60-Amp charging alternator Dual 24V electric starting motors Integral lube oil cooler, lube oil pump, oil filter, filler, and dipstick and oil drain lines routed to engine rail 115/230 VAC continuous prelube Jacket water heater
Generator	824 frame, SR4B brushless, form wound, permanent magnet excited, three-phase with Cat Digital Voltage Regulator (CDVR), 6-lead design, Class H insulation operating at Class F temperature for extended life, and anti-condensation space heaters (120/240V 1.2 kW)
Containerized Module	40' ISO high cube container, CSC certified for nine (9) high stacking 3-axle, 40' ISO container chassis Spill containment 110% of all engine fluids Interior walls and ceilings insulated with 100 mm of acoustic paneling Floor of container insulated with acoustic glass and covered with steel plating Sound attenuated air intake louvers and 3 lockable personnel doors with panic release Side bus bar access door, external access load connection bus bars Distribution block connections for jacket water heater, battery charger, space heaters, and generator condensate heaters 3" ANSI flange customer fuel connection with cover to prevent vandalism Energized-to-run (ETR) shutoff valve (double solenoid, low/high pressure switch, CSA/FM approved) Cat Brand fuel filter, wall mounted and gas pressure regulator Lube oil level regulator with makeup tank Exhaust silencer, wrapped and insulated, with oxidation catalyst Four (4) oversized maintenance-free batteries disconnect switch, rack, and cables 20-Amp battery charger Vibration isolators, corrosion resistant hardware and hinges External drain access to standard fluids Standard lighting 3 AC/4 DC, three (3) duplex service receptacles, 3 external emergency stop push buttons Three (3) 4.5 kg (10lb) carbon dioxide fire extinguishers Cat Rental decals and painted Cat Power Module white
Cooling	Cooling provides 43° C ambient capability at 1g/bhp NO _x and 38° C ambient capability at 0.5g/bhp No _x Remote, horizontally mounted with vertical discharge JW and SCAC engine driven pumps and thermostats
Generator Controls and Protection	EMCP 3.3 control panel and wall-mounted auto paralleling controls Automatic start/stop with cool down timer Generator Protection features: 25, 32, 40, 50/51, 27/59, 81 O/U Utility multi-function relay protection features: 25, 27/59, 32, 47, 51, 51N, 81O/U UMR is IEEE 1547-2003 compliant in most applications 3000A generator circuit breaker with field adjustable long time trip point setting Multi-mode operation (stand-alone, multi-unit and utility paralleling), load sharing (multi-unit only) Manual and automatic paralleling capability Metering display: voltage, current, frequency, power factor, kW, WHM, kVAR, and synchroscope
Quality	Factory testing of generator set and complete power module UL, NEMA, ISO and IEEE standards O&M manuals

SPECIFICATIONS

CAT SR4B GENERATOR	CAT G3516B LOW EMISSION ENGINE GAS ENGINE
Frame Size 824	Bore – mm (in) 170 (6.7)
Pitch 0.6667	Stroke – mm (in) 190 (7.5)
No. of poles 4	Displacement – L (cu in) 69 (4,210)
Excitation Static regulated brushless PM excited	Compression ratio 11:1
Construction Single bearing, close coupled	Engine Speed 1800
Insulation Class H	Aspiration Turbocharged, Separate Circuit AC
Enclosure Drip proof IP22	Aftercooler Inlet (°C) 54
Alignment Pilot shaft	Jacket Water Outlet (°C) 92
Overspeed capability – % of rated 125% of rated	Exhaust Manifold Dry
Voltage regulator 3 phase sensing with Volts-per-Hertz	Fuel system CAT Low Pressure w/ Air Fuel Ratio Control
Voltage regulation Less than ± 0.5% voltage gain	Governor type ADEM™ A3
Adjustable to compensate for engine speed droop and line loss	Combustion Lean Burn
Wave form deviation Less than 5% deviation	Fuel Pressure Range (PSIG) 5-10
Telephone Influence Factor (TIF) Less than 50	Methane Number 60-100
Harmonic Distortion (THD) Less than 5%	Lower Heating Value (LHV) (Btu/ft³) 800-1200
	(consult your Cat dealer if fuel is out of spec)

TECHNICAL DATA

Generator Set Technical Data	Units	60 Hz Continuous	60Hz Continuous
Power Rating	kW (KVA)	1250 (1562.5)	1250 (1562.5)
Performance Specification	(See data sheet for complete details)	DM5644 (0.5 g/bhp-hr NO _x)	DM5646 (1.0 g/bhp-hr NO _x)
Rating and Efficiency			
LHV of Fuel	MJ/Nm ³ (BTU/SCF)	36.4 (925)	36.4 (925)
Engine Power	KW (BHP)	1356 (1818)	1356 (1818)
Engine Efficiency (ISO 3046/1)	% ^A	36.1	37.1
Engine Efficiency	% ^B	35.0	36.0
Engine Data			
Fuel Consumption (ISO 3046/1)	MJ/bkw-hr (BTU/bhp-hr)	9.98 (7055)	9.71 (6863)
Fuel Consumption	MJ/bkw-hr (BTU/bhp-hr)	10.29 (7274)	10.02 (7078)
Air flow	kg/bkw-hr (lb/hr)	6.12 (18294)	5.84 (17435)
Inlet Man. Press	KPAa (in. HG abs)	280 (82.9)	268 (79.3)
Inlet Man. Temp	°C (°F)	60 (139)	61 (141)
Exhaust Stack Temp	°C (°F)	523 (974)	530 (986)
Exhaust Mass (Wet)	kg/bkw-hr (lb/hr)	6.34 (18932)	6.04 (18054)
Cooling System			
Cooling Airflow	m ³ /min (ft ³ /min)	2391 (84,486)	2391 (84,486)
Radiator coolant capacity including engine	L (gal)	681.5 (180)	681.5 (180)
Lubricating System			
Lube oil refill volume w/filter change	L (gal)	424 (112)	424 (112)
Emissions Data*			
NO _x (as NO ₂) (corr 5% O ₂)	Mg/Nm ³ (g/bhp-hr) ^C	185 (0.5)	407 (1.0)
CO	Mg/Nm ³ (g/bhp-hr) ^D	72 (0.2)	78 (0.2)
THC	Mg/Nm ³ (g/bhp-hr) ^D	1675 (4.1)	1421 (3.3)
NMHC	Mg/Nm ³ (g/bhp-hr) ^D	168 (0.41)	143 (0.33)
Exhaust O ₂	% ^E	9.2	9.2

*Emissions with oxidation catalyst

Model	Length mm (in)	Width mm (in)	Height mm (in)	Approximate Weight (Dry) kg (lb)
XQ1250G w/o chassis	12192 (480)	2438 (96)	2896 (114)	27,365 (60,340)
XQ1250G w/ chassis	12192 (480)	2438 (96)	4267 (168)	31,365 (69,150)

RATING DEFINITIONS

Conditions and Definitions: Engine rating obtained and presented in accordance with ISO 3046/1. Data represents conditions of 25C, 100 KPA barometric temperature, 30% relative humidity, 2.5 KPA air filter restriction, and 6.7 KPA exhaust stack pressure. No overload permitted at rating shown. Data noted as ISO 3046/1 represents the same ambient conditions with 1.25 KPA air filter restriction and 0 KPA exhaust stack pressure. Consult altitude curves for applications above maximum rated altitude and/or ambient temperature. Engine rating is with 2 engine driven water pumps.

Notes: A) ISO 3046/1 fuel consumption is 0, +5% of full load data. B) Fuel consumption tolerance is +/-3% of full load data. C) NO_x value shown is dry. Full load NO_x value is set at site. Control tolerance is +/- 30% of full load data. D) Emissions data shown are dry and not to exceed. E) Exhaust O₂ is nominal +/- 0.5% O₂.

STANDARD FEATURES

GAS ENGINE CONTROL MODULE (ECM)

- Based on ADEM III technology
- Fuel/air ratio control
- Start/stop logic with purge cycle and staged shutdown
- Engine Protection System with:
 - Detonation Sensitive Timing - Overspeed
 - High Exhaust Temperature - Emergency Stop
 - Failure to Start (Overcrank) - Low oil pressure
 - High oil temperature
- Electronic speed governor with 4 to 20ma input

CAT ADVISOR PANEL

- Display engine performance and diagnostics information
- Full text descriptions

EMCP 3.3 LOCAL CONTROL PANEL

- Generator mounted EMCP 3.3 provides power metering, protective relaying and generator control and monitoring.
- Integration with the CDVR provides enhanced system monitoring.
- Real-time clock allows for date and time-stamping of diagnostics and events.
- True RMS AC metering, 3 phase: L-L volts, L-N volts, Phase, Amps, Hz, ekW, kVA kVAR, kWhr, % kW, PF

EMCP 3.3 ENGINE OPERATOR INTERFACE

- Digital indication for:
 - RPM
 - DC Volts
 - Operating hours
 - Oil pressure
 - Coolant Temperature
- Auto start/stop control switch
- Voltage adjust potentiometer
- Lamp test and Alarm acknowledgement keys
- Warnings/shutdowns with indicating lights
- Emergency stop pushbutton
- Panel illuminating lights
- Programmable protective relaying
 - Over/under voltage
 - Reverse Power
 - Over/Under frequency
 - Overcurrent
 - Loss of Excitation (provided by CDVR)

CONTAINER

- 40' ISO high cube container, CSC 9 stack certified
- Painted Cat Power Module white steel
- Sound attenuated air intake louvers
- Floor insulated with acoustic glass and covered by steel plate
- Three lockable personnel doors with panic release
- Three fire extinguishers
- External drain access to standard fluids

FUEL SYSTEM

- 3" ANSI flange connection with cover
- Gas pressure regulator, self operated design

EXHAUST SYSTEM

- Rectangular exhaust silencer with oxidation catalyst
- Exhaust wraps and insulation
- Capable of meeting emission requirements: NSPS, HAPS (93% reduction CO)

SHORE POWER TWO

- One shore power connection distribution block for jacket water heaters.
- One for generator space heaters and battery charger.

INTERNAL LIGHTING

- Four internal DC lights with one timer and two switches installed at each side of the container door.
- Three internal AC lights.
- Three duplex service receptacles

BATTERY CHARGER AND BATTERIES

- 24 VDC/20A battery charger with float/equalize modes and charging ammeter.
- Four oversized maintenance free batteries.

EMERGENCY STOP PUSHBUTTON

- Three external emergency stop pushbuttons located near each access door.

TRAILER

- Three axle with Anti-lock brake system
- Goodyear G314 295/75R225 Load Range G

VOLTAGE REGULATION AND POWER FACTOR CONTROL CIRCUITRY

- Generator mounted automatic voltage regulator, microprocessor based.
- Manual raise/lower voltage adjust capability and VAR/power factor control circuitry for maintaining constant generator power factor while paralleled with the utility. Voltage and power factor adjustments are performed on the Generator Paralleling Control
- Includes RFI suppression, exciter limiter and exciter diode monitoring.

CIRCUIT BREAKER

- 3000A fixed type, 3 poles, genset mounted, electrically operated, insulated CB.
- Field adjustable, solid state trip unit for overload (time overcurrent) and fault (instantaneous) overcurrent protection.
- Includes DC shunt trip coil activated on any monitored engine or electrical fault, 100 KA-interrupting capacity at 480 VAC.

CURRENT TRANSFORMERS

- CT's rated 3000:5 with secondaries wired to shorting terminal strips.

POTENTIAL TRANSFORMERS

- 4:1 ratio with primary and secondary fuse protection.

BUS BARS

- Three phase, plus full rated neutral, bus bars are tin-plated copper with NEMA standard hole pattern for connection of customer load cables and generator cables.
- Bus bars are sized for full load capacity of the generator set at 0.8 power factor.
- Includes ground bus, tin-plated copper, for connection to the generator frame ground and field ground cable.

AC DISTRIBUTION

- Provides 240 VAC for all module accessories.
- Includes controls to de-energize jacket water heaters and generator space heater when the engine is running.

ON-PACKAGE PARALLELING CONTROL SYSTEM

- Cat On-Package Paralleling controls are intended for automatic or manual paralleling with a utility power source as a load management system, with

provisions for standby operation feeding an isolated load network. For Standby operation, the generator operates as an isochronous machine isolated from the utility supply. The controls allow for automatic operation, initiated locally or remotely by the customer's SCADA system.

- Operator controls are conveniently mounted on the generator terminal box next to the EMCP 3.3 while the Generator Paralleling Control (GPC) and Utility Multi-Function Relay (UMR) are wall-mounted nearby
- GPC provides Generator/Bus metering display and LED synchroscope.
- GPC performs all the necessary functions for paralleling: auto synchronization, load sharing, utility baseload control w/ soft load & soft unload, and utility PF control.
- The simple to use Operator Controls include:
 - Local start/stop control switch (for auto mode)
 - Generator voltage and frequency adjust
 - Generator Breaker control switch
 - Lockout Relay (86), manual reset type
 - Base-load Select Switch and Potentiometer
 - Indicating lights for:
 - Auto start
 - Dead bus close permissive
 - Utility Transfer Trip
 - Utility breaker closed
- Fail to parallel circuit with (field adjustable) timer delay causes shutdown if the breaker fails to close automatically
- Allows for customer utility-transfer-trip signal (dry contact) and utility breaker status signal (dry contact)
- Basler Utility Multi-function Relay (UMR) IPS-100 provides the following utility/intertie protection features:
 - Synch Check (Device 25)
 - Phase under voltage, 2 stage (Device 27)
 - Reverse Power (Device 32)
 - Negative sequence overvoltage (Device 47)
 - Phase time overcurrent (Device 51)
 - Neutral overcurrent (Device 51N)
 - Phase overvoltage, 2 stage (Device 59)
 - Under frequency, 2 stage (Device 81U)
 - Over frequency (Device 81O)

MODES OF OPERATION

MODES OF OPERATION

- Provides for single unit stand-alone operation, island mode paralleling and load sharing with other power modules, and single unit-to-utility mode paralleling for base load control (with open transition between paralleling modes)
- Island mode paralleling features:
 - Lead unit select control allows single unit to connect to a dead bus
 - Auto synchronization (voltage & phase matching)
 - Load sharing (kW) analog signal (like units & legacy compatible)
 - Load sharing (kVAR) analog signal (like units only)
- Utility mode paralleling features:
 - Auto synchronization (voltage & phase matching)
 - Base-load control (selectable: programmable set-point or potentiometer adjust)
 - Soft load/unload (programmable, shared set-point)
 - Power Factor control (programmable set-point)

SINGLE UNIT STAND-ALONE AND MULTI-UNIT PARALLELING OPERATION

1. Utility Standby Mode (Normal)
 - a. The utility is providing power for the plant loads.
 - b. The PM Generator breaker is open.
 - c. The PM is in automatic standby mode to respond to a utility failure.
2. Emergency Mode (Emergency)
 - a. Utility Failure
 - 1) The customer protective relaying senses a utility abnormal condition.
 - 2) A run request is sent to the PM Generator plant.
 - 3) The lead unit reaches rated voltage and frequency and is closed to the bus. This function is performed via the lead unit select jumper and interconnect wiring between the Power Modules.

- 4) In Multi-Unit Island Mode, the remaining PM Generators are paralleled to the bus as they reach rated voltage and frequency.
- 5) Plant load is transferred to the Power Modules, which share load equally via load share lines.

SINGLE UNIT BASE LOAD OPERATION

1. Utility Mode (Normal)
 - a. The utility is providing power for the plant loads.
 - b. The PM is in auto mode and the generator breaker is open.
 - c. The PM is interconnected to the utility breaker aux contact, lead unit jumper is not installed and load share lines are not connected
 - d. The Paralleling controls automatically detect utility parallel mode when the utility aux contact is closed.
 - e. GPC is programmed to the desired Base-load level, ramp times, and PF control
2. Base Load Mode
 - a. Unit receives remote run request and starts
 - b. Unit reaches rated voltage and frequency.
 - c. UMR performs sync-check to permit generator breaker to close.
 - d) Unit ramps to Base-Load set-point at programmed ramp time.
3. Unit continues to run until either a remote run request is removed, the unit is stopped at control panel, or a utility failure is detected.

Information contained in this publication may be considered confidential. Discretion is recommended when distributing.

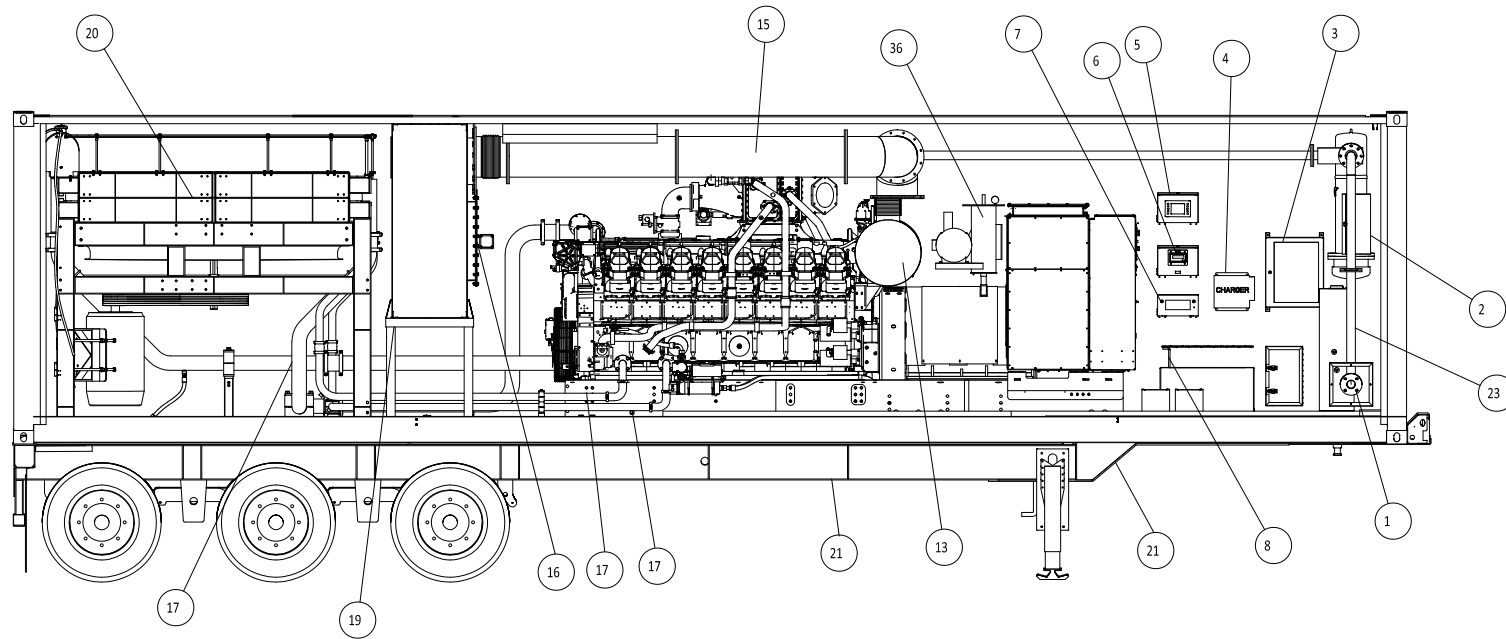
Materials and specifications are subject to change without notice.

CAT, CATERPILLAR, their respective logos, "Caterpillar Yellow", the "Power Edge" trade dress as well as corporate and product identity used herein, are trademarks of Caterpillar and may not be used without permission.

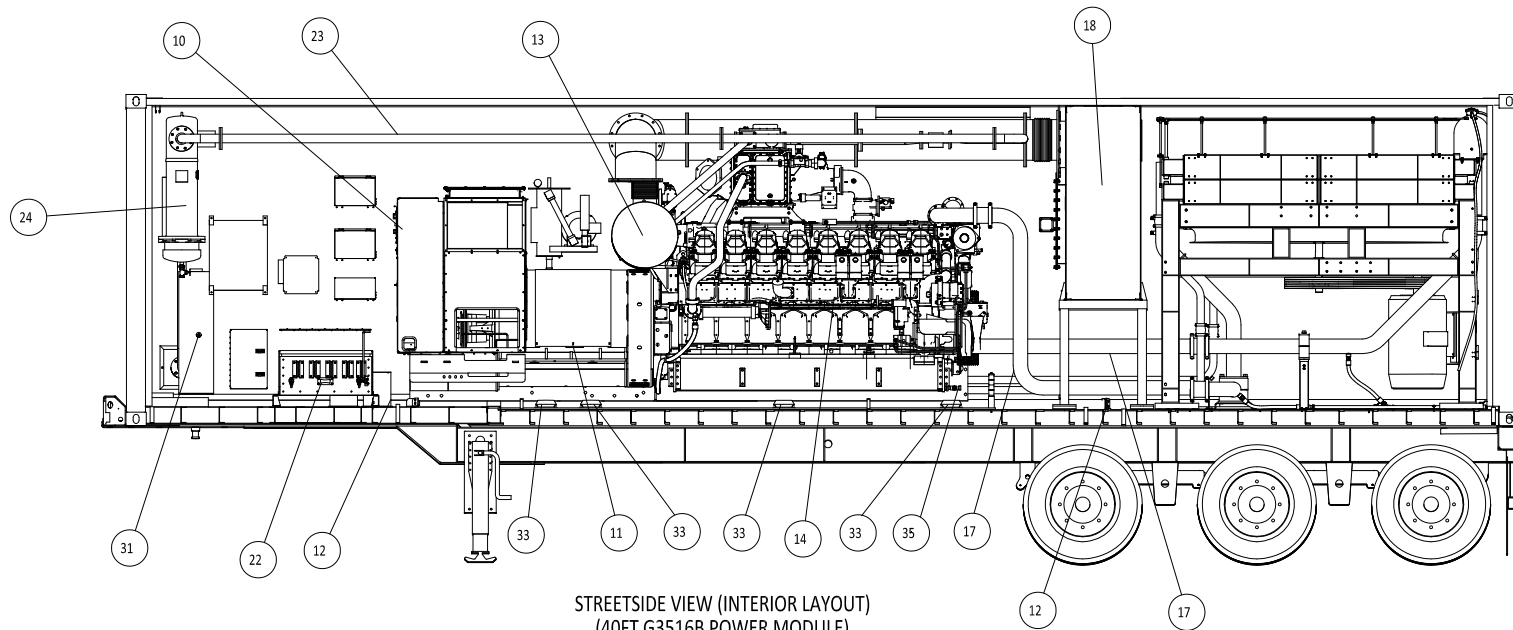
www.Cat-ElectricPower.com

©2010 Caterpillar
All Rights Reserved.
Printed in U.S.A

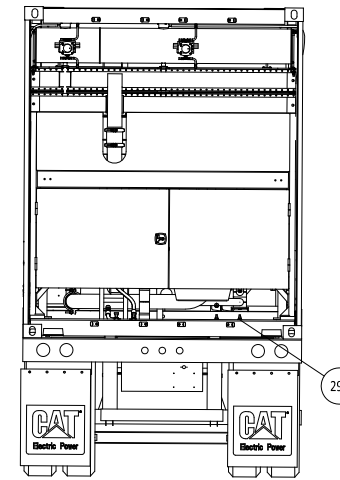
ITEM	DESCRIPTION
1	7.5" ANSI FLANGE (4 HOLE) FUEL CONNECTION
2	LITERATURE BOX
3	DISTRIBUTION PANEL
4	BATTERY CHARGER
5	ENGINE MONITORING SYSTEM
6	AUTO PARALLELING SYSTEM
7	MULTI-FUNCTION RELAY
8	CABLE TRAY
9	24VDC BATTERIES W/ WALKOVER GRATING
10	3.3 EMCP CONTROL PANEL
11	824 FRAME, FORM WOUND SR4B GENERATOR
12	SPILL CONTAINMENT
13	AIR FILTER HOUSING
14	G3516B GAS GENSET
15	EXHAUST SYSTEM PIPING
16	CATALYST SERVICE ACCESS
17	RADIATOR PIPING
18	CRITICAL GRADE EXHAUST SYSTEM
19	CRITICAL GRADE EXHAUST MOUNTING FRAME
20	HORIZONTAL RADIATOR
21	CHASSIS
22	CUSTOMER CONNECTIONS BOX
23	GAS PIPING
24	GAS FILTER
25	SHUT OFF VALVE
26	AC LIGHTING
27	JACKET WATER FILL CAP
28	AFTER COOLER FILL CAP
29	RADIATOR DRAIN
30	GAS LEAK DETECTOR
31	LUBE OIL MAKE-UP TANK
32	GAS REGULATOR
33	ISOLATOR (GENSET)
34	4" ACOUSTIC SOUND PANELING
35	OIL DRAIN
36	CLOSED CRANKCASE VENTILATION SYSTEM
37	DC LIGHTING



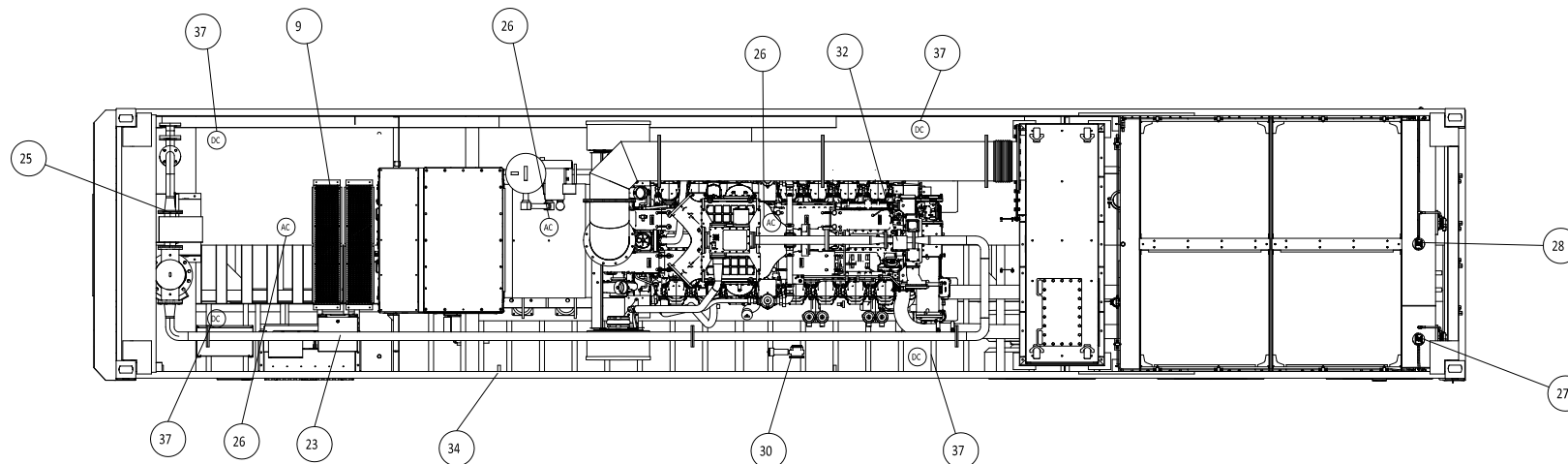
CURBSIDE VIEW (INTERIOR LAYOUT)
(40FT G3516B POWER MODULE)



STREETSIDE VIEW (INTERIOR LAYOUT)
(40FT G3516B POWER MODULE)



REAR VIEW



TOP VIEW (INTERIOR LAYOUT)
(40FT G3516B POWER MODULE)

1E2722D	DRAWING
1E0198W	LETTERS
1E0013Y	CONFIDENTIALTY
1E0011	INTPR & TOL
Caterpillar: Confidential Yellow	
PROD	OTHER CUSTOM PROD.
UNLESS OTHERWISE SPECIFIED	VERSION PRIMARY X
DIMENSIONS ARE IN mm	TYPE SECONDARY
DIMENSIONS W/O TOL ARE BASIC	
THIRD ANGLE PROJECTION	SHEET 1 OF 1 DWG CONTROL W858

CATERPILLAR

THE INFORMATION ON THIS DRAWING IS THE PROPERTY OF CATERPILLAR INC. AND IS NOT TO BE REPRODUCED OR TRANSMITTED IN ANY FORM OR BY ANY MEANS, ELECTRONIC OR MECHANICAL, INCLUDING PHOTOCOPYING, RECORDING, OR BY ANY INFORMATION STORAGE AND RETRIEVAL SYSTEM.

DIMENSIONS-GENERAL
(XQ1250G)

372-7937

WEL - 01