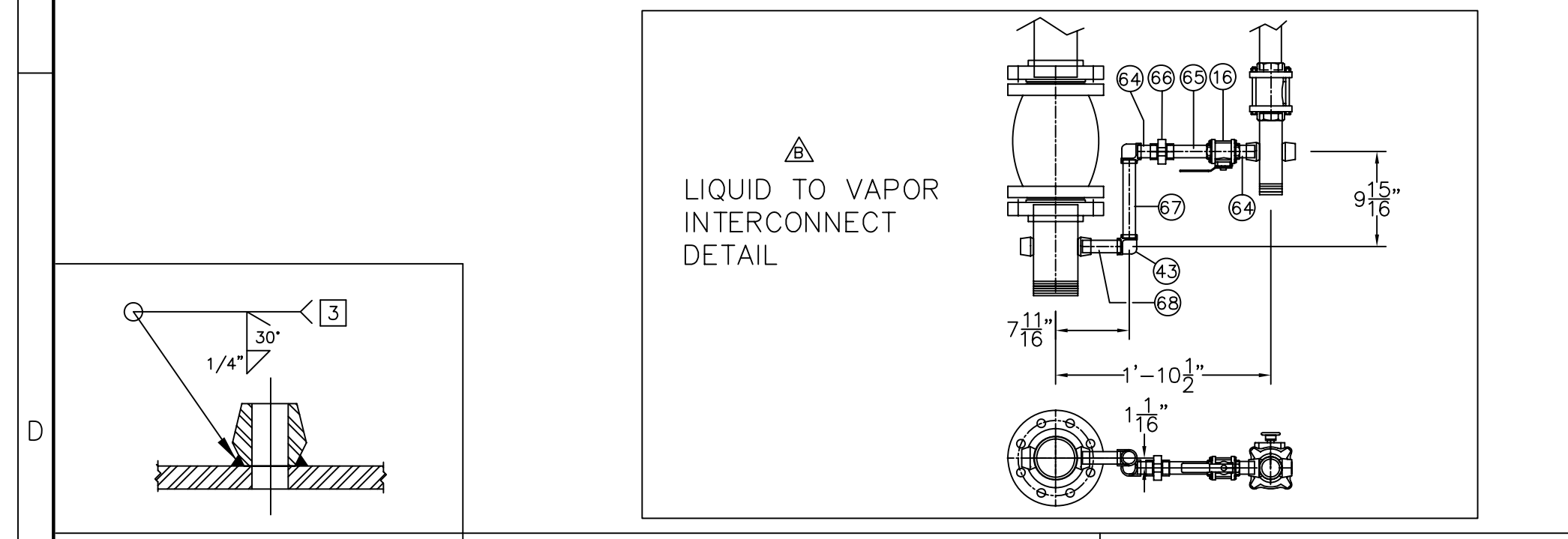
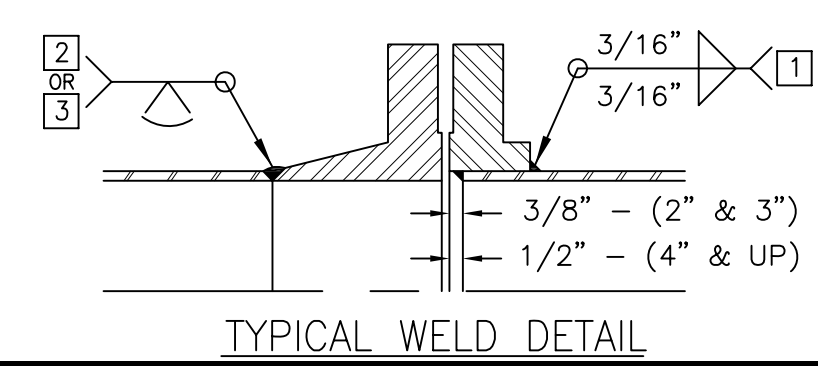


ITEM	PART NO.	QTY	UM	DESCRIPTION
1	68385	1EA		VALVE BUTTERFLY 4" CL300 KEYSTONE, TEFLON SEAT C/W HANDWHEEL, 30-1 RATI
2	50642	5EA		GASKET FLEXITALIC 4" RF CL300 304-SS
3	53809	2EA		FLG 4 CL300 RFWN XH BORE SA105N
4	51563	0.4FT		PIPE 4" STD SMLS SA 106B BBE
5	53802	3EA		ELBOW WELD 90 LR 4 STD SA234 WPB BBE
6	51563	1.6FT		PIPE 4" STD SMLS SA 106B BOE/POE
7	68181	3EA		VALVE HYDROSTATIC RLF 1/2" 450 PSI F/CO2
8	18660360	1EA		THREDOLET 1/2" 3000# X 4 RUN SA105
9	68695	2EA		ELBOW STREET 90 1/2" 3000#
10	65369	3EA		FLG 4 CL300 RFSO SA105N
11	51563	0.7FT		PIPE 4" STD SMLS SA 106B BBE
12	51563	0.8FT		PIPE 4" STD SMLS SA 106B BOE/POE
13	68654	1EA		VALVE BALL 4" CL300 RF/FP/CS/TEFLON FOR CO2 RHINO
14	51564	0.8FT		PIPE 4" XH SMLS SA 106B TOE/POE
15	51545	1.7FT		PIPE 1" XH SMLS SA 106B TBE
16	18120181	4EA		VALVE BALL 1" F PORT 83-105-01
17	51545	1.3FT		PIPE 1" XH SMLS SA 106B TBE
19	51545	0.9FT		PIPE 1" XH SMLS SA 106B TOE/CUT OTHER END AT 45 DEG
21	51421	0.3FT		BAR FLAT 1/4" X 3" 44W
22	50587	2EA		WASHER LOCK 1/2 ZN P
23	50498	2EA		BOLT HEX 1/2" NC X 1-3/4" GR8 ZN PL
24	56639	2EA		NUT HEX 1/2" NC SAE GR8 ZN PLT
25	54687	2EA		GASKET FLEXITALIC 2" RF CL300/600 304-SS
26	54686	2EA		FLG 2 CL300 RFWN XH BORE SA105N
27	51551	0.3FT		PIPE 2" STD SMLS SA 106B BOE/POE
28	67153	2EA		VALVE BALL 2" SW FP VENTED EMICO
29	51551	0.3FT		PIPE 2" STD SMLS SA 106B BOE
30	51629	3EA		ELBOW WELD 90 LR 2 STD SA234 WPB BBE
31	51551	2.5FT		PIPE 2" STD SMLS SA 106B BOE/POE
32	67826	1EA		THREDOLET 1/2" 3000# X 2 RUN SA105
33	56001	1EA		FLG 2 CL300 RFSO SA105N
34	51551	1.1FT		PIPE 2" STD SMLS SA 106B BBE
35	51551	0.7FT		PIPE 2" STD SMLS SA 106B BOE/POE
36	51552	0.9FT		PIPE 2" XH SMLS SA 106B TOE/POE
38	54579	2EA		THREDOLET 1 3000# X 2 RUN SA105
39	51545	0.6FT		PIPE 1" XH SMLS SA 106B TBE
40	63794	2EA		THREDOLET 1 3000# X 5-4 RUN SA105
41	51545	1.0FT		PIPE 1" XH SMLS SA 106B TBE
42	68681	1EA		THREDOLET 1/2" 3000# X 1 RUN SA105
43	18615060	2EA		ELBOW 90 1" NPT 3000# SA105
44	68701	2EA		BOLT U 4" PIPE 3/8" ROD STEEL ZN PL
45	50515	2EA		NUT HEX 3/8" NC SAE GR8 ZN PL
46	50582	2EA		WASHER LOCK 3/8 ZN PL
47	68702	2EA		BOLT U 2" PIPE 5/16" ROD STEEL ZN PL
48	50584	2EA		WASHER LOCK 5/16 ZN PL
49	50576	2EA		NUT HEX 5/16" NC GR8 ZN PL
50	18620421	1EA		NIPPLE 1/2MNPT X 4 XH SMLS SA106B
51	51542	0.9FT		PIPE 1/2" XH SMLS SA 106B TBE
52	18615040	2EA		ELBOW 90 1/2" NPT 2000# SA105
53	51719	16EA		STUD 5/8NC X 3-1/2 LG SA 193-B7
54	51710	32EA		NUT HEX 5/8" NC SA 194-2H
55	67940	8EA		STUD 3/4NC X 7-1/2 LG SA193-B7
56	17110008	64EA		NUT HEX 3/4" NC SA 194-2H
57	51724	24EA		STUD 3/4NC X 4-1/2 LG SA 193-B7
58	65694	4EA		EYE PAD 3/4" ID
59	18630040	1EA		PLUG HEX HEAD 1/2 NPT SA105
60	67845	1EA		VALVE BALL 1/2" SS/NPT
61	66683	2EA		NIPPLE 1/2MNPT X 5 XH SMLS SA106B
62	18635040	1EA		TEE 1/2 NPT 2000# SA105
63	18620381	1EA		NIPPLE 1/2MNPT X 3" XH SMLS SA106B
64	533975	2EA		NIPPLE 1MNPT X 2 XH SMLS SA106B
65	51545	0.5FT		PIPE 1" XH SMLS SA 106B TBE
66	18640061	1EA		UNION SCRD 1 3000# SA105
67	51545	1FT		PIPE 1" XH SMLS SA 106B TBE
68	51568	1EA		NIPPLE 1MNPT X 4 XH SMLS SA 106B



WELD PROCEDURES

- 1 609.2-S-170 (SMAW)
- 2 609.2-S-140 (SMAW)
- 3 609.2-S-94-1(SMAW)
- 4 609.2-S-161 (GMAW)



PRESSURE PIPING SYSTEM DESIGN DATA (CODE-ANSI/ASME B31.3 2001 EDITION, ADDENDA 2003)

PROCESS	DESIGN PRESS. PSI (kPa)	DESIGN TEMP. °F (°C)	TEST PRESS. PSI (kPa)	TEST MEDIUM	MATERIAL SPEC. AND GRADE	PIPE DIAMETER AND SCHEDULE	FLANGE RATING	R.T. %
CO2	385 (2653)	150° (66°)	578 (3982)	H2O	SA-106-B SA-234-WPB SA-105	1 SCH XH 2" SCH STD 2" SCH XH 4" SCH STD 4" SCH XH	CL 300#	5 %

NOTES:

- REFER TO GA DWG 2004-0924D FOR PIPING ASSEMBLY QUANTITIES AND POSITION/ORIENTATION. ORIENT THREADED COMPONENTS TO SUIT.

SHOP NOTES:

- ALL THREADED CONNECTIONS TO BE SCH 80 OR XH.
- SHOP TO ADJUST PIPE LENGTH ON WELDED PIPING TO ALLOW FOR SHRINKAGE.

REV NO.	DRWN	DATE	CHECKED BY	APPROVED BY	DESCRIPTION
C	DR	04.11.10			ADDED LIQUID-VAPOR PIPING & MOD 4" PRV PIPE ADDED SAFETY LUGS, PURGE TUBE (#19)
B	DR	04.11.02			
A	DR	04.10.19			CORR. ITM# 55 & 56,
O	DR	04.10.08			INITIAL RELEASE

MaXfield Inc.

THIS DRAWING IS CONFIDENTIAL IN NATURE AND IS THE EXCLUSIVE PROPERTY OF MAXFIELD INC., CROSSFIELD ALBERTA. IT MAY NOT BE REPRODUCED IN ANY WAY WITHOUT THE WRITTEN PERMISSION OF MAXFIELD INC.

PIPING LAYOUT FOR 36,000 USWG 120" ID 57' 5-1/2" S/S CO2 SKIDDED STORAGE VESSEL

THIRD ANGLE PROJECTION

SEE DRAWING 2002-0707D FOR APPLICABLE TOLERANCES UNLESS OTHERWISE STATED

JOB: #31-1544

DRAWING No. 2004-0922D

SHEET 1 OF 1

SCALE: NTS P/N: 68649

REV C