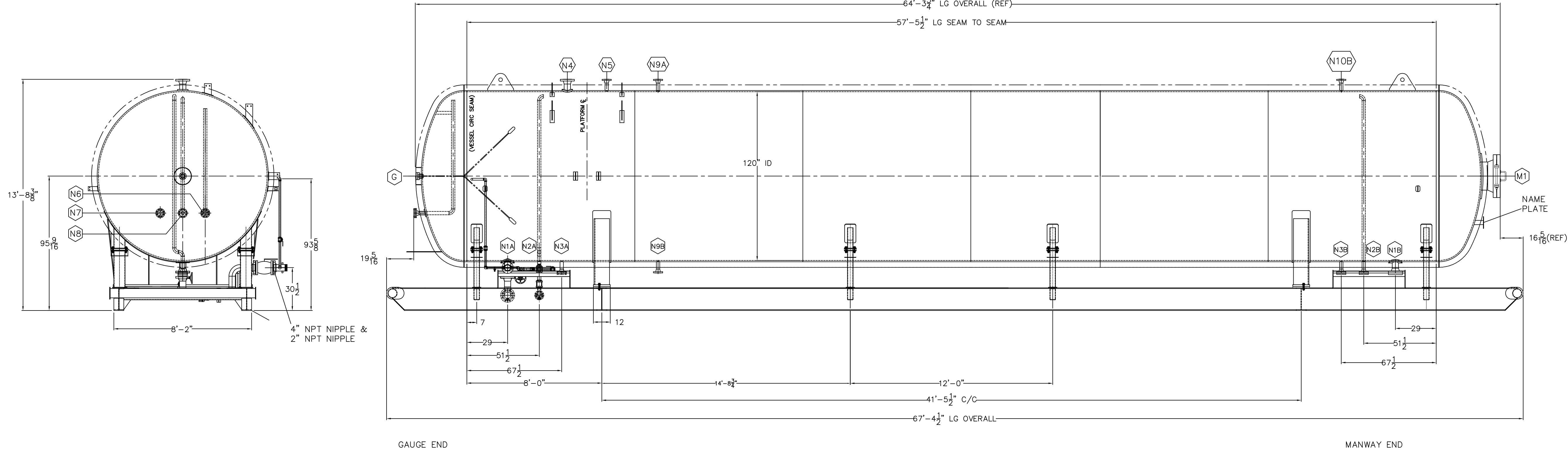
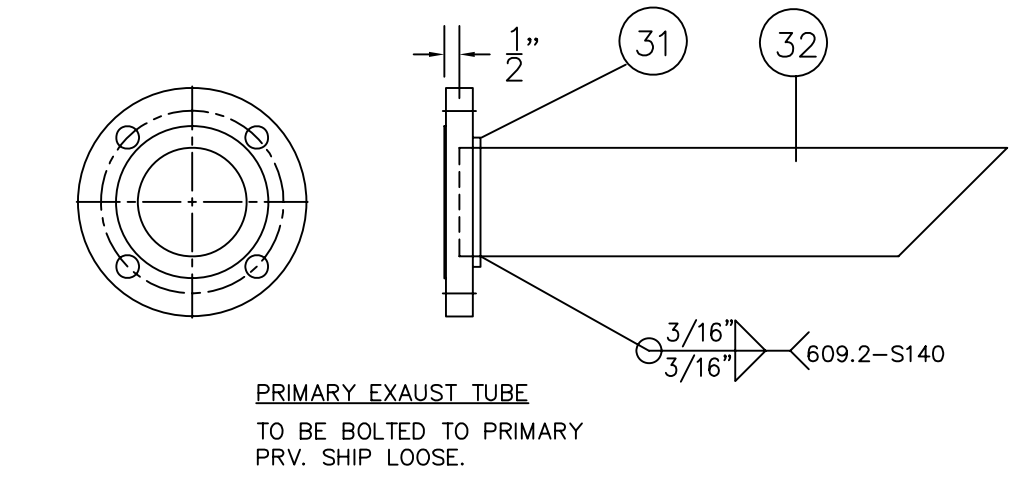


PIPING CONFIGURATION MATRIX		
VESSEL	PIPING LOCATION	ORIENTATION
31-0830	BOTH ENDS	AS PER CUSTOMER
31-0831	BOTH ENDS	AS PER CUSTOMER
31-0832	GAUGE END	AS PER CUSTOMER



NOZZLE	SERVICE
N1A	LIQUID INLET
N2A	VAPOR CO2 C/W RISER
N3A	DRAIN C/W BLIND
N1B	LIQUID OUTLET
N2B	VAPOR CO2 C/W RISER
N3B	DRAIN C/W BLIND
N4	RELIEF
N5	RELIEF
N6	FULL TRICOCK 95%
N7	THERMOWELL W/BLIND
N8	LIQUID PHASE W/BLIND
G	FLOAT GAUGE
M1	MANWAY C/W BLIND



- NOTES:**
1. PLATFORM CLIP LAYOUT TO FIT 2002-0802D PLATFORM & LADDER DESIGN.
 2. PIPING SHOWN ABOVE IS FOR REFERENCE ONLY. REFER TO PIPE CONFIGURATION MATRIX.
 3. VESSELS WITH PIPING ON 1 END ONLY TO HAVE PIPING INSTALLED ON GAUGE END. BLIND MANWAY END.

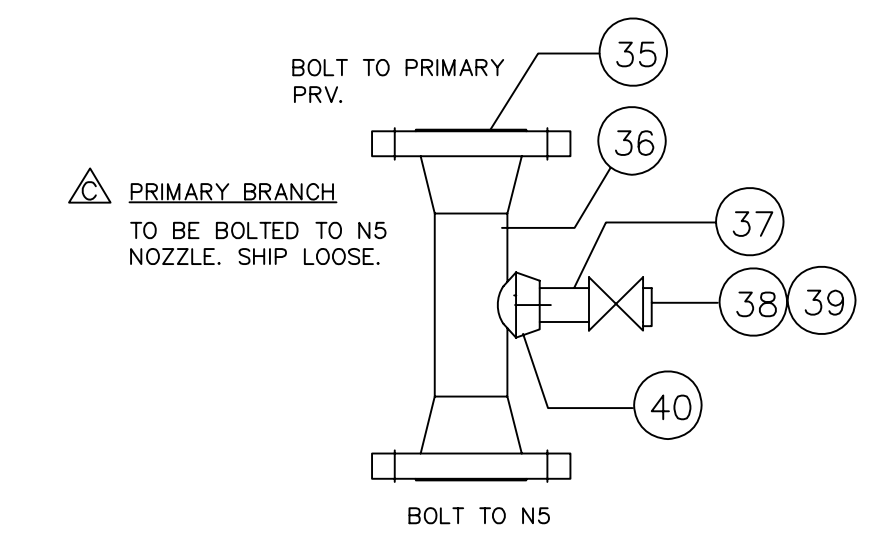
EST SHIPPING WEIGHT: 92,000 LBS

Bom FOR 31-0830, 31-0831 & 31-1544

ITEM	LOCATION	PART NO	QTY	UM	DESCRIPTION	DWG
1		16436000	1	EA	36,000 USWG-120" ID x 57'-1/2" S/S CO2 STORAGE VESSEL	DWG 2004-0902D
2		68650	1	EA	SKID ASSEMBLY - 36,000 USWG CO2 STORAGE VESSEL	DWG 2004-0923D
3		68648	1	EA	SADDLE DETAIL - 120" ID TANK	DWG 2004-0903C
4		68649	2	EA	PIPING PACKAGE - 36,000 USWG CO2 SKIDDED STORAGE VESSEL	DWG 2004-0922D
5	N7	50417	1	EA	THERMOWELL 3/4M X 1/2FNPT X 7-1/2	
6	N7	16990142	1	EA	THERMOMETER 6"STEM STEEL J701	
7	N6	67844	1	EA	VALVE BALL 3/4" SS/NPT - 2 PC/EMICO	
8	N6	18615050	1	EA	ELBOW 90 3/4 NPT 2000# SA105	
9	N6	51544	1.5	FT	PIPE 3/4" XH SMLS SA 106B TBE	2 PCS 6" LG
10	N6	18635050	1	EA	TEE 3/4" NPT 2000# SA105	
11	N6	18605050	1	EA	CPLG FULL 3/4 NPT 3000# SA 105	
12	N6	18600430	1	EA	BUSH RED HEX 3/4 X 1/4 FS SA105	
13	N6	18620161	1	EA	NIPPLE 1/4MNPT X 1-1/2 XH SMLS SA106B	
14	N6	51734	1	EA	NIPPLE 1/4MNPT X 1-1/2 XH SMLS SA106B	
15	N6	66600	1	EA	ELBOW 90 1/4 NPT X 1/4 TUBING 304SS SWAGelok	
16	N6	55907	4	FT	TUBING 1/4" OD X .035" SMLS SS316	
17	N6	50426	2	EA	BOLT U 3/4" PIPE C/W PL & NUTS	
18	N6	68762	1	EA	GA PRES 1/4" NPT 0-400 PSI 4" DIAL BTM MT SS DRY	
19	G	67575	1	EA	BLIND FOR 8-BOLT FLOAT GAUGE - 5" O.D. HYDRO	
20	G	50587	8	EA	WASHER LOCK 1/2 ZN PL	
21	G	50498	8	EA	BOLT HEX 1/2" NC X 1-3/4" GR8 ZN PL	
22						
23	N4	50642	2	EA	GASKET FLEXITALIC 4" RF CL400 304-SS	
24	N4,N1B	51724	16	EA	STUD 3/4NC X 4-1/2 LG SA 193-B7	
25	N4,N1B	17110008	32	EA	NUT HEX 3/4" NC SA 194-2H	
26	N5	68646	1	EA	VALVE RLF 2" RF FLG CL300 X 3" RF FLG CL150 CROSBY 2 H 3 J05-E-35-J 285psi	
27	N5,N2B	51710	48	EA	NUT HEX 5/8" NC SA 194-2H	
28	N5,N2B	51719	24	EA	STUD 5/8NC X 3-1/2 LG SA 193-B7	
29	N5,N2B	63659	3	EA	GASKET FLEXITALIC 2" CL300 RF 316SS	
30	N5	50641	1	EA	GASKET FLEXITALIC 3" RF CL150 316-SS	
31	N5	18650006	1	EA	FLG 3 CL150 RFSO SA105N	
32	N5	51559	1	EA	PIPE 3" STD SMLS SA106B POE/ ONE END CUT AT 45 DEG	1 PCS 18" LG
33	N1B	51644	1	EA	FLG BLIND 4 CL300 RF SA105N	
34	N2B	54690	1	EA	FLG BLIND 2 CL300 RF SA105	
35	N5	54686	2	EA	FLG 2 CL300 RFWN XH BORE SA105N	
36	N5	51552	0.5	FT	PIPE 2" XH SMLS SA106B	
37	N5	18620461	1	EA	NIPPLE 3/4MNPT X 2 XH SMLS SA106B	
38	N5	68402	1	EA	VALVE BALL 3/4" SS/NPT-3 PC/EMICO	
39	N5	18630050	1	EA	PLUG HEX HEAD 3/4 NPT SA105	
40	N5	55063	1	EA	THREDOLET 3/4 3000# X 2-2.5 RUN SA105	
41	G	17250003	1	EA	GASKET FLOAT GA MASTER VISIBLE	

Bom FOR 31-0832

ITEM	LOCATION	PART NO	QTY	UM	DESCRIPTION	DWG
1		16436000	1	EA	36,000 USWG-120" ID x 57'-1/2" S/S CO2 STORAGE VESSEL	DWG 2004-0902D
2		68650	1	EA	SKID ASSEMBLY - 36,000 USWG CO2 STORAGE VESSEL	DWG 2004-0923D
3		68648	1	EA	SADDLE DETAIL - 120" ID TANK	DWG 2004-0903C
4		68649	2	EA	PIPING PACKAGE - 36,000 USWG CO2 SKIDDED STORAGE VESSEL	DWG 2004-0922D
5	N7	50417	1	EA	THERMOWELL 3/4M X 1/2FNPT X 7-1/2	
6	N7	16990142	1	EA	THERMOMETER 6"STEM STEEL J701	
7	N6	67844	1	EA	VALVE BALL 3/4" SS/NPT - 2 PC/EMICO	
8	N6	18615050	1	EA	ELBOW 90 3/4 NPT 2000# SA105	
9	N6	51544	1.5	FT	PIPE 3/4" XH SMLS SA 106B TBE	2 PCS 6" LG
10	N6	18635050	1	EA	TEE 3/4" NPT 2000# SA105	
11	N6	18605050	1	EA	CPLG FULL 3/4 NPT 3000# SA 105	
12	N6	18600430	1	EA	BUSH RED HEX 3/4 X 1/4 FS SA105	
13	N6	18620161	1	EA	NIPPLE 1/4MNPT X 1-1/2 XH SMLS SA106B	
14	N6	51734	1	EA	NIPPLE 1/4MNPT X 1-1/2 XH SMLS SA106B	
15	N6	66600	1	EA	ELBOW 90 1/4 NPT X 1/4 TUBING 304SS SWAGelok	
16	N6	55907	4	FT	TUBING 1/4" OD X .035" SMLS SS316	
17	N6	50426	2	EA	BOLT U 3/4" PIPE C/W PL & NUTS	
18	N6	68762	1	EA	GA PRES 1/4" NPT 0-400 PSI 4" DIAL BTM MT SS DRY	
19	G	67575	1	EA	BLIND FOR 8-BOLT FLOAT GAUGE - 5" O.D. HYDRO	
20	G	50587	8	EA	WASHER LOCK 1/2 ZN PL	
21	G	50498	8	EA	BOLT HEX 1/2" NC X 1-3/4" GR8 ZN PL	
22	N4	67877	1	EA	VALVE RLF MAN 4 FLG #300 W /RLF VALVES CO2 REGO A8574A303	
23	N4,N1B	50642	2	EA	GASKET FLEXITALIC 4" RF CL400 304-SS	
24	N4,N1B	51724	16	EA	STUD 3/4NC X 4-1/2 LG SA 193-B7	
25	N4,N1B	17110008	32	EA	NUT HEX 3/4" NC SA 194-2H	
26	N5	68646	1	EA	VALVE RLF 2" RF FLG CL300 X 3" RF FLG CL150 CROSBY 2 H 3 J05-E-35-J 285psi	
27	N5,N2B	51710	48	EA	NUT HEX 5/8" NC SA 194-2H	
28	N5,N2B	51719	24	EA	STUD 5/8NC X 3-1/2 LG SA 193-B7	
29	N5,N2B	63659	3	EA	GASKET FLEXITALIC 2" CL300 RF 316SS	
30	N5	50641	1	EA	GASKET FLEXITALIC 3" RF CL150 316-SS	
31	N5	18650006	1	EA	FLG 3 CL150 RFSO SA105N	
32	N5	51559	1	EA	PIPE 3" STD SMLS SA106B POE/ ONE END CUT AT 45 DEG	1 PCS 18" LG
33	N1B	51644	1	EA	FLG BLIND 4 CL300 RF SA105N	
34	N2B	54690	1	EA	FLG BLIND 2 CL300 RF SA105	
35	N5	54686	2	EA	FLG 2 CL300 RFWN XH BORE SA105N	
36	N5	51552	0.5	FT	PIPE 2" XH SMLS SA106B	
37	N5	18620461	1	EA	NIPPLE 3/4MNPT X 2 XH SMLS SA106B	
38	N5	68402	1	EA	VALVE BALL 3/4" SS/NPT-3 PC/EMICO	
39	N5	18630050	1	EA	PLUG HEX HEAD 3/4 NPT SA105	
40	N5	55063	1	EA	THREDOLET 3/4 3000# X 2-2.5 RUN SA105	
41	G	17250003	1	EA	GASKET FLOAT GA MASTER VISIBLE	



REV NO.	DRWN	DATE	CHECKED BY	APPROVED BY	DESCRIPTION
E	JW	06.03.16			REMOVED VAPOR MANIFOLDER
D	JW	06.03.08			ADDED JOB NO. 31-1544
C	DR	04.11.23			ADDED PRIMARY BRANCH, REM FLT GAUGE
B	DR	04.11.15			REPLACE PRESS GAUGE WITH DRY GAUGE
A	DR	04.10.20			UPDATED PIPING MATRIX & Bom
O	DR	04.10.12			31-0830 TO HAVE PIPING BOTH ENDS

Maxfield Inc.		GENERAL ASSEMBLY - 36,000 USWG 120" ID 57' 5-1/2" S/S CO2 SKIDDED STORAGE VESSEL	
THIRD ANGLE PROJECTION	SEE DRAWING 2002-0707D FOR APPLICABLE TOLERANCES UNLESS OTHERWISE STATED	JOB: #31-0831,0831,0832 #31-1544	REV E
SCALE: NTS	P/N -	2004-0924D	SHEET 1 OF 1