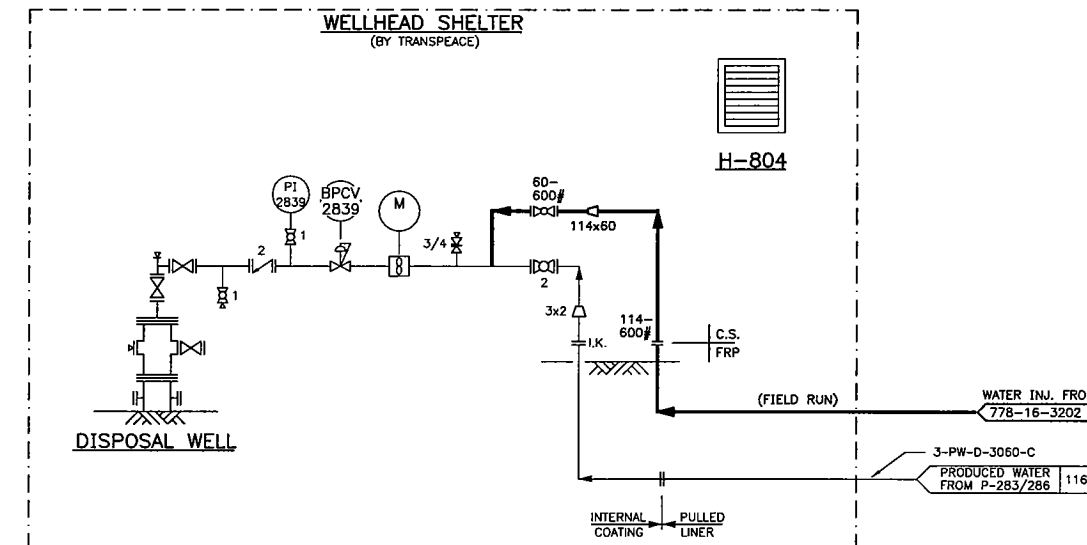
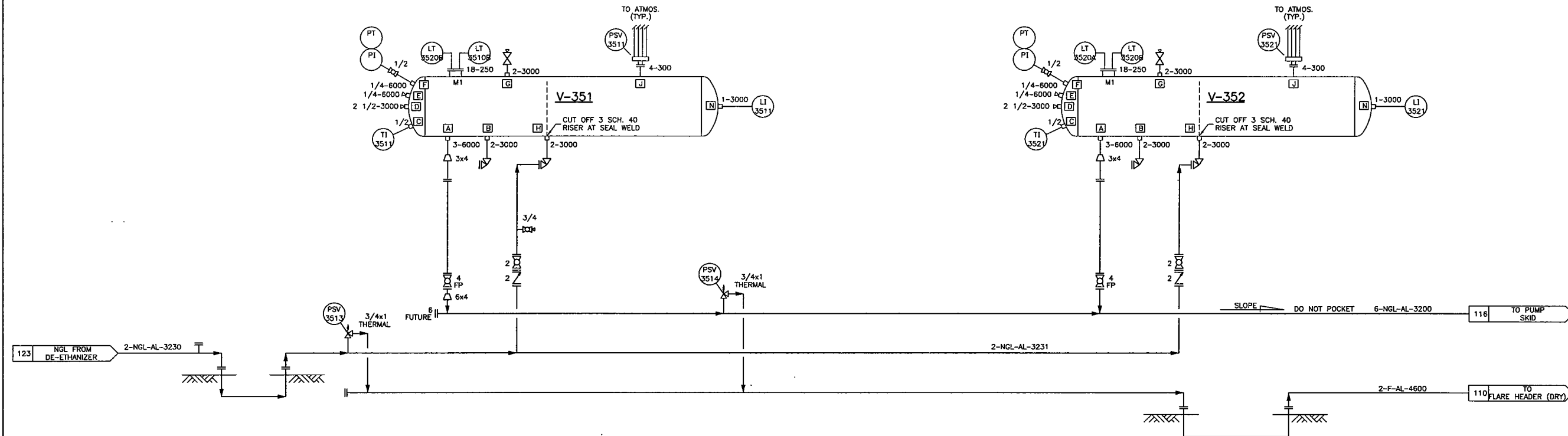


V-351/352
NGL STORAGE TANKS

VENDOR: TRINITY INDUSTRIES
SIZE: 2777mm O.D. x 17374mm S/S
D.P.: 1725KPa @ 49°C
CAP: 113.5m³
C.A.: 1.6mm

H-804
BUILDING HEATER

VENDOR: ELECTRICAL
MAKE/MODEL: RUFFNECK
DUTY:
D.P.:
CRN./SN.:



© TARTAN ENGINEERING LTD 1997

- NOTES:
1. ALL ANSI B31.3 PRODUCED WATER PIPING TO BE INTERNALLY COATED WITH DEVOE 253 OR EQUIVALENT.
2. PRODUCED WATER PIPELINE (CSA Z662) TO BE INTERNALLY LINED WITH HDPE LINER.

REV	REVISION	DATE	DRWN BY	CHKD BY	CIVIL APP	PROC APP	MECH APP	ELEC APP	INST APP	SYST APP	PROJ ENG	Q.A.	OWNER CHKD	OWNER APP
7	2006 AS-BUILT (778.16)	06.03.31	GX											
6	GAS PLANT EXPANSION (CONCISE #778.16) - ISSUED FOR CONSTRUCTION	05.12.23	ME											
5	AS BUILT BY CIMARRON ENGINEERING LTD (PNR103-5)	99.09.22	DK											
4	AS BUILT BY CIMARRON ENGINEERING LTD	99.01.11	AS											
3	CONTROL REVISIONS	98.03.09	RP											
2	RE-ISSUED FOR CONSTRUCTION	98.02.20	MAA											
1	ISSUED FOR CONSTRUCTION	97.11.28	LHMK											
D	ISSUED FOR DESIGN	97.10.15	RP											
A	CONCEPTUAL DESIGN	97.10.15	RP											

PERMIT	ENGINEER
--------	----------



CHINCHAGA GAS PLANT c-32-H/94-H-8 NGL STORAGE AREA/ DISPOSAL WELL P&ID			
SCALE	PROJECT No.	DWG. No.	REV
NTS	226200	A1-2262-B-119	7