

**F-482**  
**F.G. SCRUBBER**  
 TYPE: FINITE  
 MODEL: HN4S-10CN  
 MAWP: 3447 kPag @ 79°C

**V-480**  
**SUCTION SCRUBBER**  
 SIZE: 1372mm I.D. x 3048mm S/S  
 MAWP: 1689 kPag @ 121°C  
 MDMT: -29°C @ 1689 kPag

**K-480**  
**GAS COMPRESSOR**  
 FRICK: TDSH-355XL  
 OPERATING SPEED: 3344 RPM

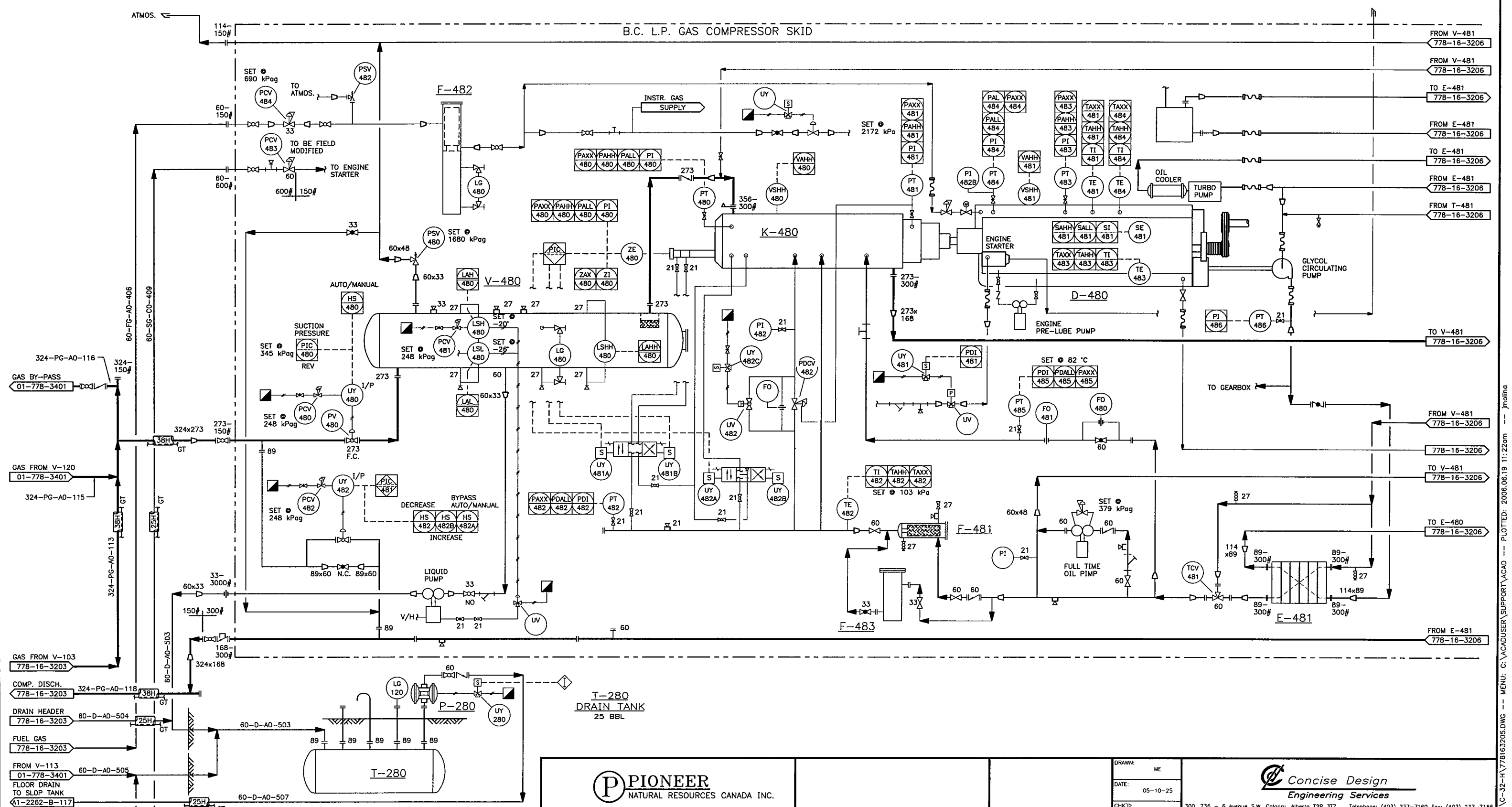
**D-480**  
**GAS ENGINE**  
 TYPE: CATERPILLAR 3512 TALE AFRC  
 BHP (RATED): 860 HP @ 1200 RPM  
 WEIGHT: 14750 LBS

**F-481**  
**OIL FILTER**  
 SIZE: 219mm O.D. x 660mm S/F  
 MAWP: 3102 kPa @ 121°C  
 MDMT: -29°C @ 3102 kPag  
 ELEMENT: MODEL 1833C05 5 MICRON

**F-483**  
**SLIPSTREAM OIL FILTER**  
 MODEL: JL FILTRATION  
 SIZE: 219mm O.D. x 905mm S/F  
 MAWP: 5171 kPag @ 177°C  
 MDMT: -29°C @ 5171 kPag

**E-481**  
**OIL COOLER**  
 MAKE: VIEX INC  
 MODEL: VXN-48-SS-FS-1-100  
 PLATES: 67  
 MAWP (OIL): 2758 kPag @ 121°C  
 MAWP (GLYCOL): 2758 kPag @ 121°C

B.C. L.P. GAS COMPRESSOR SKID



- GAS BY-PASS  
01-778-3401
- GAS FROM V-120  
01-778-3401
- GAS FROM V-103  
778-16-3203
- COMP. DISCH.  
778-16-3203
- DRAIN HEADER  
778-16-3203
- FUEL GAS  
778-16-3203
- FROM V-113  
01-778-3401
- FLOOR DRAIN TO SLOP TANK  
A1-2262-B-117
- FROM V-103  
A1-2262-B-136
- FLOOR DRAIN START GAS  
778-16-3203

**NOTES:**  
 THIS DRAWING IS OF A CONFIDENTIAL NATURE AND SHALL NOT BE REPRODUCED IN ANY MANNER, NOR USED FOR ANY PURPOSE WHATSOEVER EXCEPT BY WRITTEN PERMISSION OF CONCISE DESIGN.  
 THIS DRAWING IS NOT APPROVED FOR CONSTRUCTION UNLESS SIGNED AND DATED. DESTROY ALL DRAWINGS BEARING EARLIER DATE AND/OR REVISION NUMBER.

No	DATE	REVISIONS	DRAWN	CHK.	APPD.
1	06-03-31	2006 AS-BUILT (778.16)		GX	
0	05-12-23	ISSUED FOR CONSTRUCTION		ME	
A	05-11-18	ISSUED FOR OGC PERMIT		ME	

**PIONEER**  
 NATURAL RESOURCES CANADA INC.

CONCISE DESIGN  
 Engineering Services  
 300, 736 - 6 Avenue S.W. Calgary, Alberta T2P 3T7 Telephone: (403) 237-7160 Fax: (403) 237-7166  
**PIONEER NATURAL RESOURCES CANADA INC.**  
 CHINCHAGA GAS PLANT c-32-H, 94-H-8  
 B.C. L.P. GAS COMPRESSOR SKID  
 P & ID

DRAWN: ME	DATE: 05-10-25
CHK'D:	
APPR'D:	
SCALE: NONE	
CONCISE PROJ. No. 778.16	CONCISE FILE No. 778163205
CLIENT DWG. No.	CONCISE DWG. No. 778-16-3205
REV. 1	

FILE NAME: G:\778.16\C-32-H\778163205.DWG --- MENU: C:\ACADUSER\SUPPORT\ACAD --- PLOTTED: 2006.06.19 11:22am

V-481  
OIL SEPARATOR  
SIZE: 1067mm I.D. x 2590mm S/S  
MAWP: 2483 kPag @ 121°C  
MDMT: -29°C @ 2483 kPag

T-480/T-481  
GLYCOL TANKS

T-483/T-484  
USED OIL TANKS

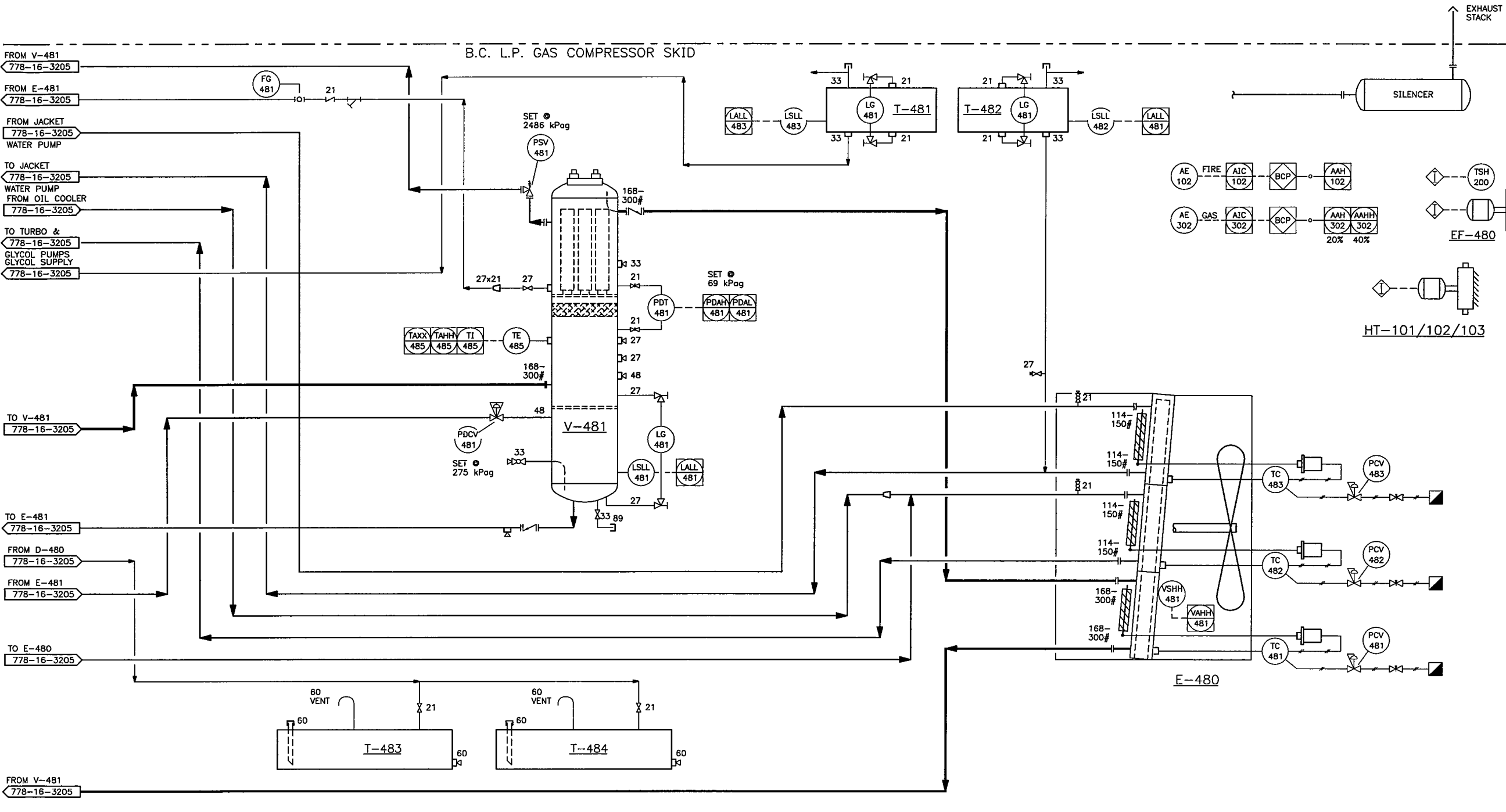
E-480  
AFTERCOOLER/GLYCOL COOLER

MAKE: AIR-X-HEMPHILL  
MODEL: 132EF-900-18  
MAWP: 2758 kPag @ -29/149°C  
DES. AMB.: 32°C

HT-104/105/106  
BUILDING HEATERS

RUFFNECK

EF-480  
EXHAUST FAN



NOTES:  
THIS DRAWING IS OF A CONFIDENTIAL NATURE AND SHALL NOT BE REPRODUCED IN ANY MANNER, NOR USED FOR ANY PURPOSE WHATSOEVER EXCEPT BY WRITTEN PERMISSION OF CONCISE DESIGN.  
THIS DRAWING IS NOT APPROVED FOR CONSTRUCTION UNLESS SIGNED AND DATED. DESTROY ALL DRAWINGS BEARING EARLIER DATE AND/OR REVISION NUMBER.

No	DATE	REVISIONS	DRAWN	CHK.	APPD.
1	06-03--31	2006 AS-BUILT (778.16)		GX	
0	05-12-23	ISSUED FOR CONSTRUCTION		ME	
A	05-11-18	ISSUED FOR OGC PERMIT		ME	



DRAWN: ME  
DATE: 05-10-25  
CHK'D:  
APPR'D:  
SCALE: NONE  
CONCISE PROJ No. 778.16

**Concise Design**  
Engineering Services  
300, 736 - 6 Avenue S.W. Calgary, Alberta T2P 3T7 Telephone: (403) 237-7160 Fax: (403) 237-7166

PIONEER NATURAL RESOURCES CANADA INC.  
CHINCHAGA GAS PLANT c-32-H, 94-H-8  
B.C. L.P. GAS COMPRESSOR SKID  
P & ID

CONCISE FILE No. 778163206 CLIENT DWG. No. 778-16-3206 CONCISE DWG. No. 778-16-3206 REV. 1

FILE NAME: G:\778.16\C-32-H\778163206.DWG --- MENU: C:\ACADUSER\SUPPORT\ACAD --- PLOTTED: 2006.06.19 11:22am --- jmolina