

THE INFORMATION CONTAINED HEREIN IS THE CONFIDENTIAL PROPERTY OF TOROMONT PROCESS SYSTEMS. IT IS NOT FOR PUBLICATION AND NO PART THEREOF SHALL BE COPIED OR COMMUNICATED TO A THIRD PARTY WITHOUT AUTHORIZATION.

V-1
COMPRESSOR SUCTION SCRUBBER
 SIZE: 54" I.D. X 120" S/S
 M.A.W.P.: 245 PSIG @ 250 DEG. F
 M.D.M.T.: -20 DEG F @ 245 PSIG
 C.A.: 0.0625"
 SHELL MATERIAL: SA-516-70
 HEAD MATERIAL: SA-516-70
 WEIGHT: 5800 LBS.

CP-1
CONTROL PANEL
 MAKE: ALLEN BRADLEY
 MODEL: COMPACT LOGIX
 POWER: 24 VDC (BY OTHERS)
 CSA APPROVED CLASS I.D.V. II,
 GROUP D

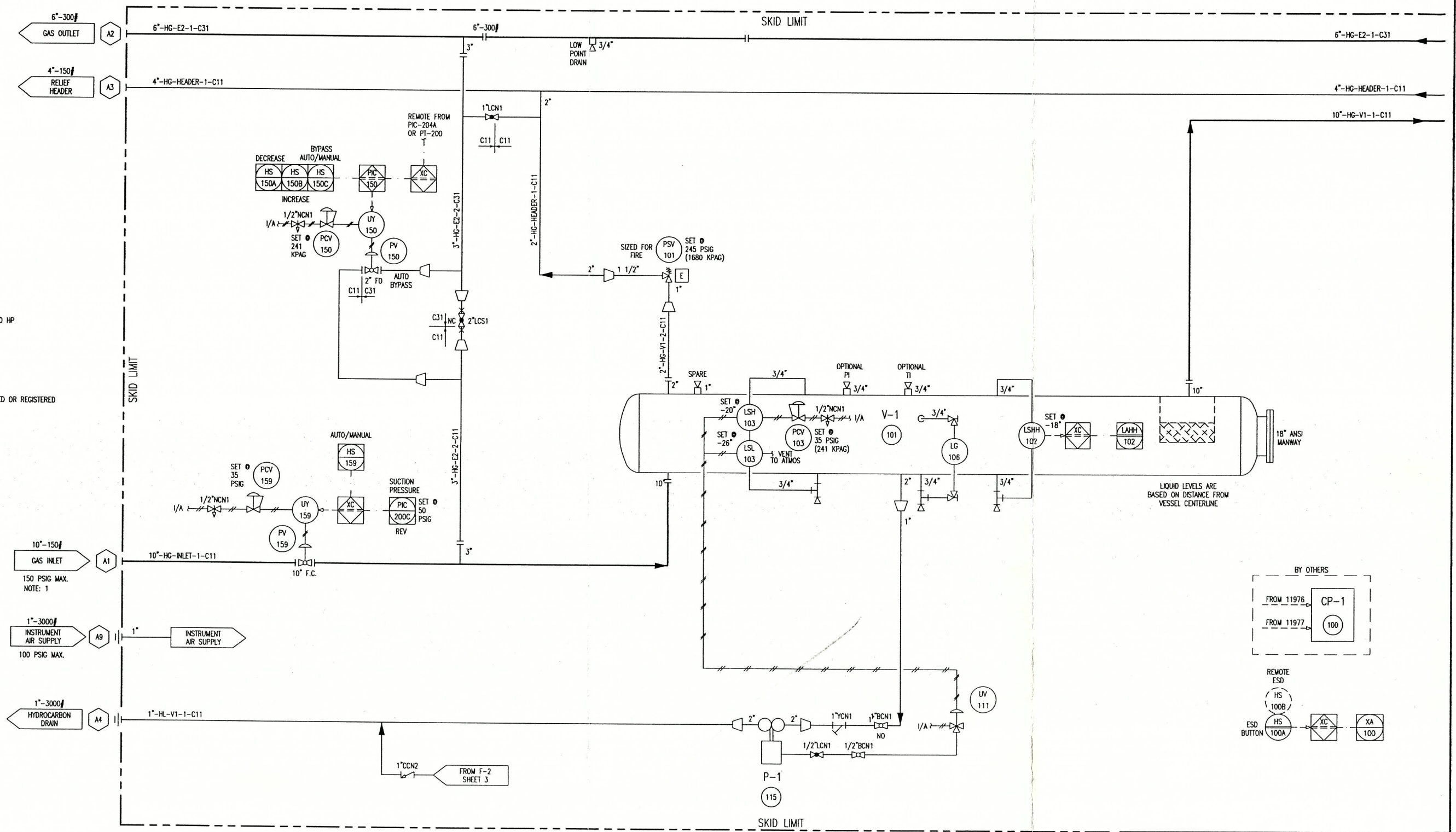
SKID GENERAL NOTES:

- LSD: T.B.A.
- ELECTRICAL CLASSIFICATION: CLASS 1, DIV. II, GROUP D
- MINIMUM DESIGN INDOOR TEMPERATURE: 60 DEG.F
- MAXIMUM DESIGN AMBIENT TEMPERATURE: 90 DEG.F
- COMPRESSOR SYSTEM OIL CHARGE: 220 USGAL
- COMPRESSOR OIL TYPE: SS-100
- ENGINE OIL CHARGE: 100 USGAL
- ENGINE OIL TYPE: SAE 40
- ENGINE JACKET COOLANT CAPACITY: 130 USGAL
- ENGINE TURBO COOLANT CAPACITY: 210 USGAL
- ENGINE COOLANT: 50/50 ETHYLENE GLYCOL
- INSTRUMENT / FUEL GAS CONSUMPTION: 7000 SCFH @ 810 HP
- START GAS CONSUMPTION: 1505 SCFM @ 60 PSIG
- ATMOSPHERIC PRESSURE: 13.4 PSIA
- ELEVATION: 2500 FT. DESIGN
- EXHAUST STACK 1.2 TIMES PEAK HEIGHT
- GEARBOX OIL CAPACITY: 15 USGAL
- C11* LINES BUILT TO C11 SPEC BUT NOT PRESSURE TESTED OR REGISTERED

CUSTOMER INTERFACE

DISCRETE INPUTS FROM CUSTOMER:

OUTPUTS TO CUSTOMER:



NOTE: 1 INLET PRESSURE LIMITED BY RATING OF P-1
 PRESSURE PROTECTION TO BE PROVIDED BY CUSTOMER

| REV. | DESCRIPTION | DATE | BY | APPR. |
|------|-------------------------|-----------|----|-------|
| 2 | AS BUILT | FEB 01/06 | RH | |
| 1 | ISSUED FOR CONSTRUCTION | OCT 31/05 | KW | GM |

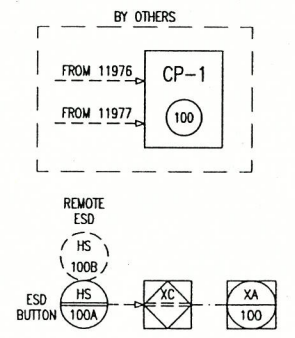
PERMIT TO PRACTICE STAMP

ENGINEER STAMP

TOROMONT
TOROMONT PROCESS SYSTEMS

DRAWN BY: K. WALTON
 DATE: OCT. 26, 2005
 CHKD. BY: G. MORRIS
 SCALE: N/A
 APPR. BY: G. MORRIS
 W.O. No: 11976101
 CUST. PO No:

TITLE: P & I FLOW DIAGRAM
 FOR: PIONEER 860 HP BOOSTER COMPRESSOR
 DWG. No: 11976-101
 SHEET No: 1 OF 5
 REV: 2



THE INFORMATION CONTAINED HEREIN IS THE CONFIDENTIAL PROPERTY OF TOROMONT PROCESS SYSTEMS AND IS NOT FOR PUBLICATION AND NO PART THEREOF SHALL BE COPIED OR COMMUNICATED TO A THIRD PARTY WITHOUT AUTHORIZATION FROM TOROMONT PROCESS SYSTEMS

C-1
GAS COMPRESSOR
 FRICK: TD5H-355XL
 OPERATING SPEED: 3344 RPM
 SUCTION PRESSURE: SEE CURVE
 DISCHARGE PRESSURE: SEE CURVE
 OIL TEMPERATURE: 160 DEG.F
 POWER DRAW: SEE CURVE
 WEIGHT: 9200 LBS.

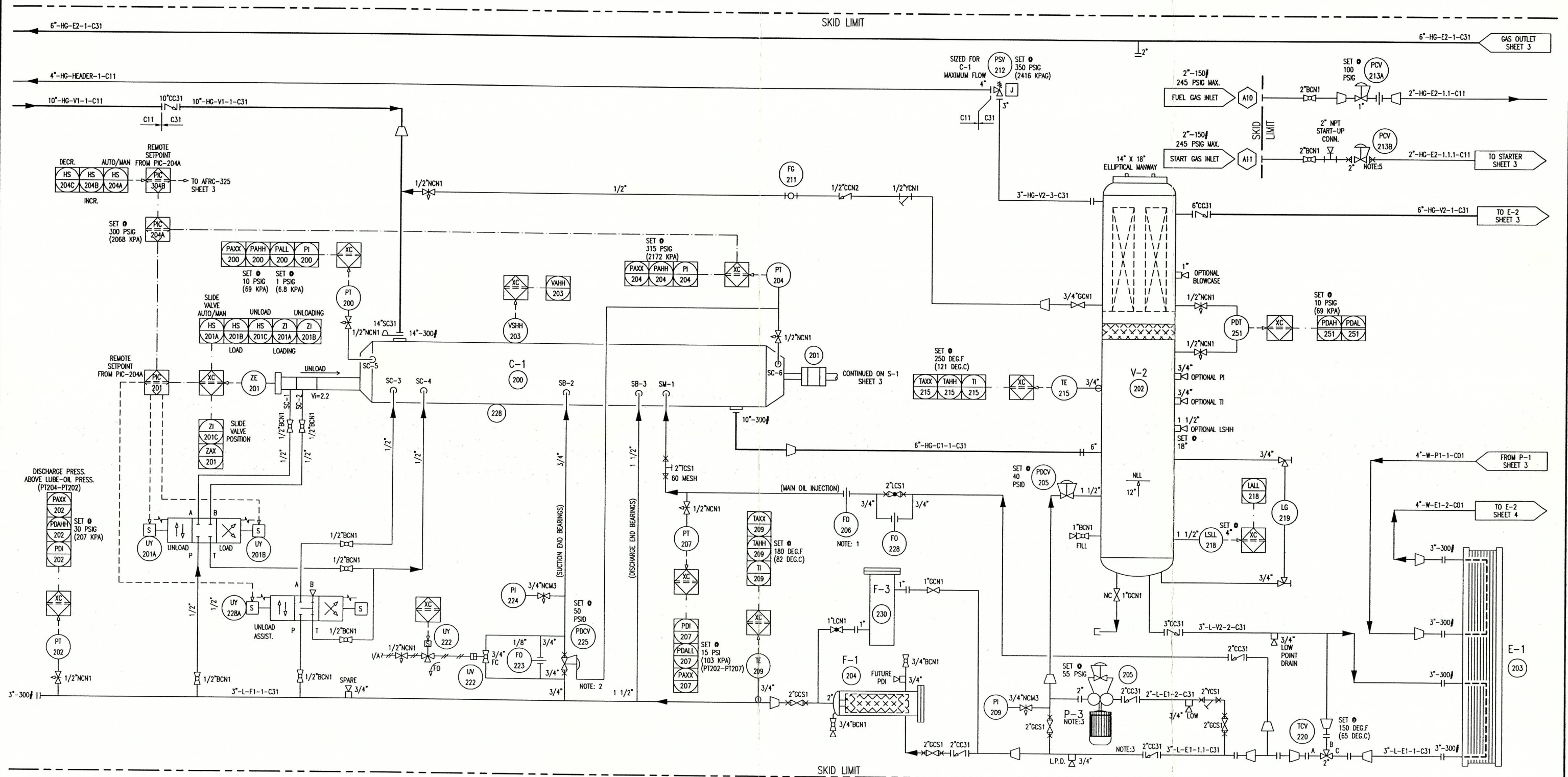
F-3
SLIPSTREAM OIL FILTER
 MODEL: JL FILTRATION
 SIZE: 8" O.D. X 35 5/8" S/F
 MAWP: 750 PSIG @ 350 DEG.F
 MDMT: -20 DEG.F @ 750 PSIG
 CA: 0.0625"
 SHELL MATERIAL: SA-234 WPB
 HEAD MATERIAL: SA-234 WPB/SA-105
 ELEMENT: PD1-P25H
 WEIGHT: 340 LBS (EMPTY)

F-1
OIL FILTER
 SIZE: 8 5/8" O.D. X 26" S/F
 MAWP: 450 PSIG @ 250 DEG.F
 MDMT: -20 DEG.F @ 450 PSIG
 CA: 0.0625"
 SHELL MATERIAL: SA-106B
 HEAD MATERIAL: SA-516-70
 ELEMENT: 1833C05 5 MICRON
 WEIGHT: 304 LBS.

P-3
FULL TIME OIL PUMP
 MAKE: TUTHILL
 MODEL: G6030WVMD0E0000-X0502
 FLOW: 20 GPM @ 1150 RPM
 FLUID: SS-100
 DRIVER: 5 HP, 230/460V, 30H
 SPEED: 1150 RPM

V-2
OIL SEPARATOR
 MAKE: TUTHILL
 SIZE: 42" I.D. X 102" S/S
 MAWP: 350 PSIG @ 250 DEG.F
 MDMT: -20 DEG.F @ 350 PSIG
 CA: 0.0625"
 SHELL MATERIAL: SA-516-70
 HEAD MATERIAL: SA-516-70
 ELEMENT: (7) RSC1175-3
 WEIGHT: 4640 LBS.

E-1
OIL COOLER
 MAKE: VIEK INC
 MODEL: VKN-46-SS-FS-1-100
 PLATES: 67
 MAWP OIL SIDE: 400 PSIG @ 250 DEG.F
 MAWP GLYCOL SIDE: 400 PSIG @ 250 DEG.F
 WEIGHT: 2637 LBS.



- NOTE: 1 ORIFICE SUPPLIED WITH COMPRESSOR
- NOTE: 2 BLOCK INTERNAL PORT ON PDCV-225
- NOTE: 3 INTERNAL RELIEF SET @ 55 PSIG

| REV. | DESCRIPTION | DATE | BY | APPR. |
|------|-------------------------|-----------|----|-------|
| 2 | AS BUILT | FEB 01/06 | RH | |
| 1 | ISSUED FOR CONSTRUCTION | OCT 31/05 | KW | GM |

PERMIT TO PRACTICE STAMP

ENGINEER STAMP

| | | | |
|---|--|--|------------------|
| | | TITLE: P & I FLOW DIAGRAM | |
| | | FOR: PIONEER 860 HP BOOSTER COMPRESSOR | |
| DRAWN BY: K. WALTON CHKD. BY: C. MORRIS APPR. BY: C. MORRIS | DATE: OCT. 26, 2005 SCALE: N/A W.D. No: 11976101 | DWG. No: 11976-101 | SHEET No: 2 OF 5 |

H-1 A/B/C
BUILDING HEATERS
 MAKE: RUFNACK ELECTRIC
 MODEL: FX4-480360-300
 POWER: 30 KW (102, 350 BTU/HR)
 3 / 60 / 480 VAC
 ENCLOSURE: EXPLOSION PROOF
 CLASS I DIV II GROUPS C & D
 WEIGHT: 290 LBS

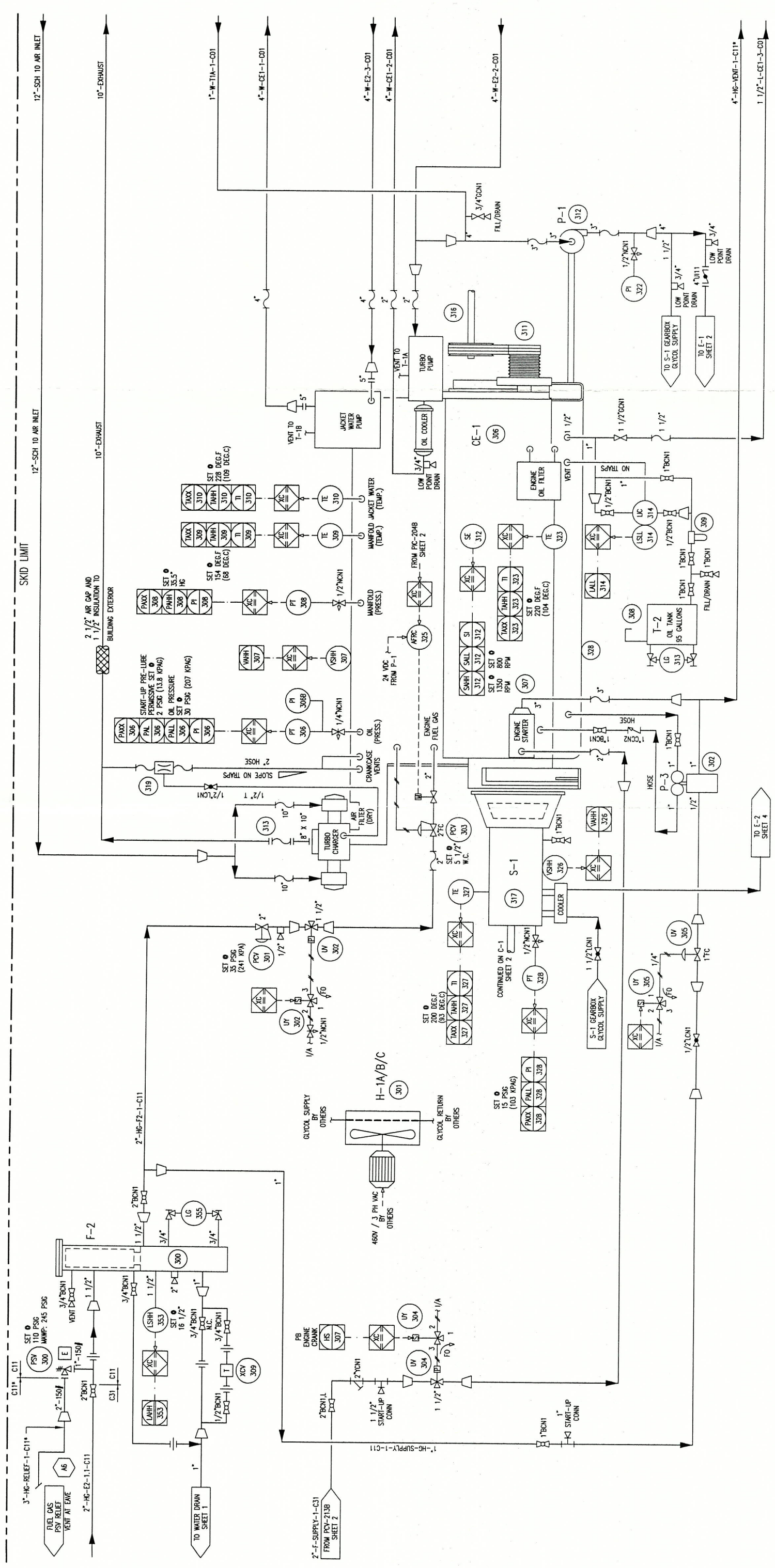
F-2
FUEL GAS SCRUBBER
 SIZE: 6 5/8" OD X 68 1/2" S/F
 MAKE: WARENE RUPP
 MODEL: EMP8 0800B-001
 RATIO: 1 : 3
 INPUT: 1200 RPM
 OUTPUT: 3600 RPM
 SAE "00" BELLHOUSING
 WEIGHT: 3000 LBS

S-1
SPEED INCREASER
 MAKE: PACIFIC RIM
 MODEL: EMF8 0800B-001
 INLET GAS PRESSURE: 100 PSIG MAX.
 FLOW: 25 GPM @ 20 PSIG
 FLUID: SAE-40 LUBE OIL
 WEIGHT: 28 LBS

P-3
ENGINE PRE-LUBE PUMP
 MAKE: WARREN RUPP
 MODEL: G1B1A10N3000
 INLET GAS PRESSURE: 100 PSIG MAX.
 FLOW: 25 GPM @ 20 PSIG
 FLUID: SAE-40 LUBE OIL
 WEIGHT: 28 LBS

CE-1
NATURAL GAS ENGINE
 TYPE: CATERPILLAR 3512 TALE AFR
 BORE: 6.7"
 STROKE: 7.5"
 DISPLACEMENT: 3158 CU. IN.
 COMPRESSION RATIO: 8 : 1
 BHP (RATED): 860 HP @ 1200 RPM
 WEIGHT: 14750 LBS

P-1
GLYCOL CIRCULATION PUMP
 MAKE: CATERPILLAR
 FLOW: 200 GPM @ 40 FTHD
 FLUID: 50/50 GLYCOL
 SUPPLIED WITH ENGINE



TITILE: P & I FLOW DIAGRAM
FOR: PIONEER 860 HP BOOSTER COMPRESSOR
DATE: OCT. 26, 2005
SCALE: N/A
W.O. No.: 11976101
DWG. No.: 11976-101
SHEET No.: 3 OF 5
REV.: 2

| REV. | DESCRIPTION | DATE | BY | APPR. |
|------|-------------------------|-----------|----|-------|
| 2 | AS BUILT | FEB 01/06 | RH | |
| 1 | ISSUED FOR CONSTRUCTION | OCT 31/05 | KW | GM |

ENGINEER STAMP
 NEXT AVAILABLE TAG NUMBER: 333
 PERMIT TO PRACTICE STAMP

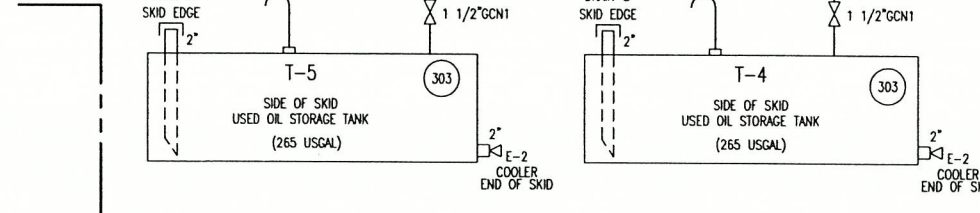
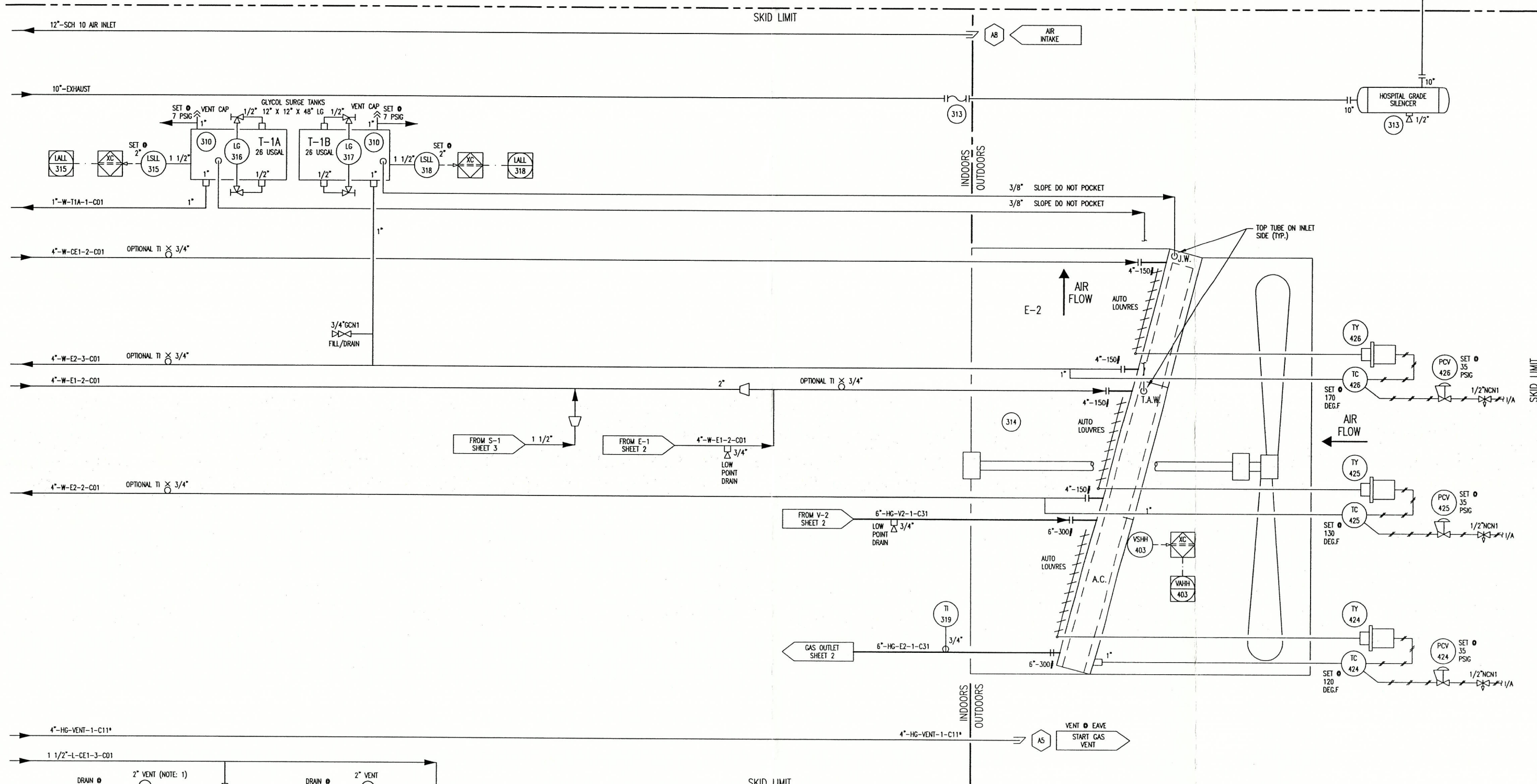
THE INFORMATION CONTAINED HEREIN IS THE CONFIDENTIAL PROPERTY OF TOROMONT PROCESS SYSTEMS AND IS NOT FOR PUBLICATION AND NO PART THEREOF SHALL BE COPIED OR COMMUNICATED TO A THIRD PARTY WITHOUT AUTHORIZATION FROM TOROMONT PROCESS SYSTEMS.

THE INFORMATION CONTAINED HEREIN IS THE CONFIDENTIAL PROPERTY OF TOROMONT PROCESS SYSTEMS AND IS NOT FOR PUBLICATION AND NO PART THEREOF SHALL BE COPIED OR COMMUNICATED TO A THIRD PARTY WITHOUT AUTHORIZATION FROM TOROMONT PROCESS SYSTEMS.

**E-2
PROCESS GAS AFTERCOOLER/GLYCOL COOLER**

MAKE: AIR-X-HEMPHILL
MODEL: 132EF-100-18
WEIGHT: 15500 LBS
TAW/CLOW: MAMP: 14 PSIG @ -20/300 DEG.F
DES. AMB: 95 DEG.F
AFTERCOOLER: MAMP: 400 PSIG @ -20/300 DEG.F
DES. AMB: 90 DEG.F
E.W./ELOW: MAMP: 14 PSIG @ -20/300 DEG.F
DES. AMB: 95 DEG.F
FAN: MAKE: MOORE
MODEL: 8-BLADE, 48VT HD
SPEED: 305 RPM
PITCH: 13 DEGREES
POWER: 40 HP

EXHAUST STACK
1.2 TIMES PEAK HEIGHT



NOTE: 1 VENT USED OIL TANK ABOVE ENGINE OIL N.L.L.

| REV. | DESCRIPTION | DATE | BY | APPR. |
|------|-------------------------|-----------|-------|-------|
| 2 | AS BUILT | FEB 01/06 | RH | |
| 1 | ISSUED FOR CONSTRUCTION | OCT 31/05 | KW GM | |

| | |
|--------------------------|----------------|
| PERMIT TO PRACTICE STAMP | ENGINEER STAMP |
| | |

TOROMONT
TOROMONT PROCESS SYSTEMS

DRAWN BY: K. WALTON
CHKD. BY: G. MORRIS
APPR. BY: G. MORRIS
CUST. PO No:

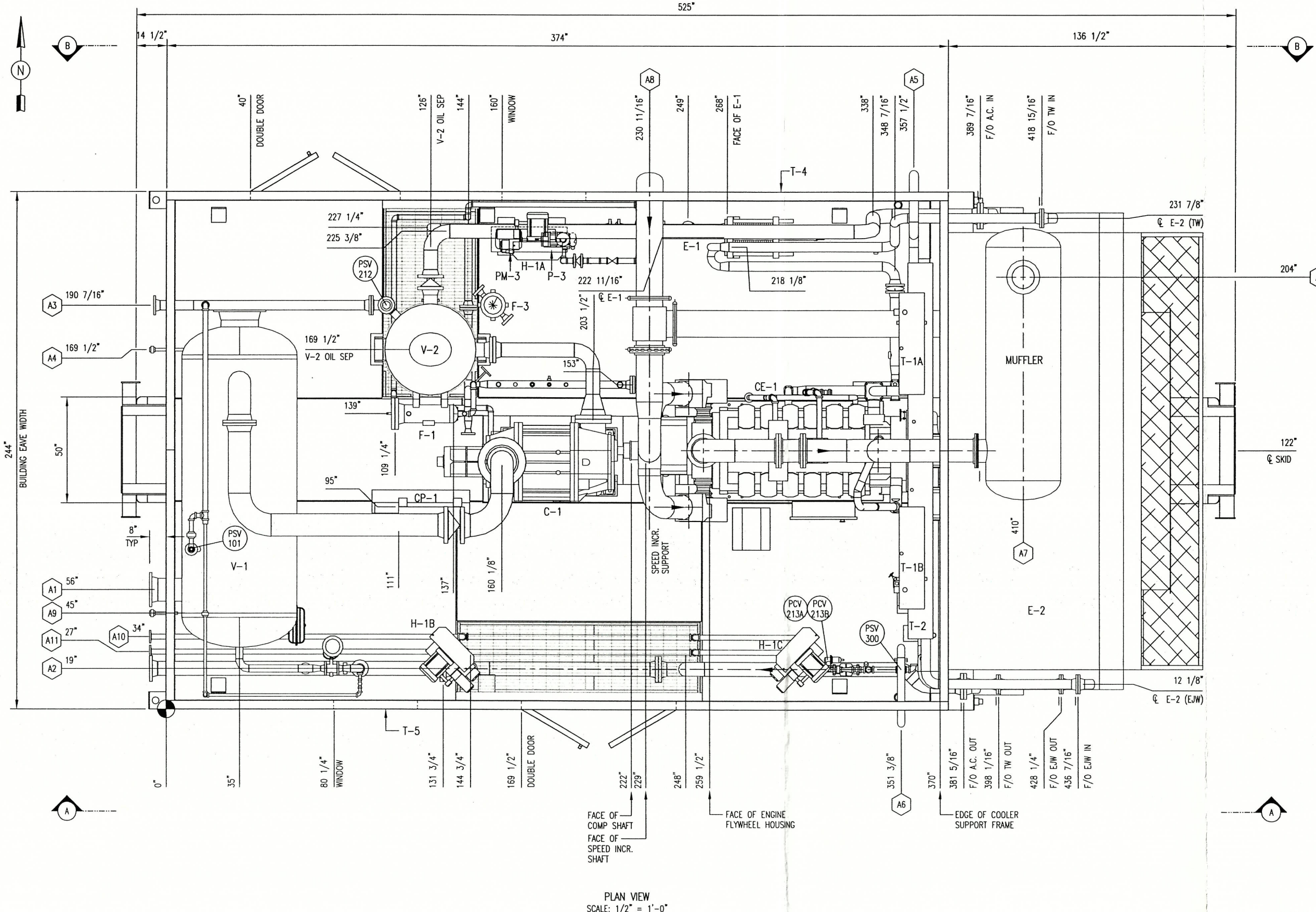
DATE: OCT. 26, 2005
SCALE: N/A
W.D. No: 11976101

TITLE: P & I FLOW DIAGRAM

FOR: PIONEER 860 HP BOOSTER COMPRESSOR

DWG. No: 11976-101
SHEET No: 4 OF 5
REV: 2

THE INFORMATION CONTAINED HEREIN IS THE CONFIDENTIAL PROPERTY OF TOROMONT PROCESS SYSTEMS. IS NOT FOR PUBLICATION, AND NO PART THEREOF SHALL BE COPIED OR COMMUNICATED TO A THIRD PARTY WITHOUT AUTHORIZATION.



| NOZZLE SCHEDULE | | | | |
|-----------------|-----------------------|------|--------|-------|
| MARK | SERVICE | SIZE | RATING | TYPE |
| A1 | GAS INLET | 8" | 150# | RFWN |
| A2 | GAS OUTLET | 6" | 300# | RFWN |
| A3 | RELIEF HEADER | 4" | 150# | RFWN |
| A4 | HYDROCARBON DRAIN | 1" | 3000# | NPT |
| A5 | START GAS VENT | 4" | - | PIPE |
| A6 | FUEL GAS VENT | 3" | - | PIPE |
| A7 | EXHAUST | 10" | - | PIPE |
| A8 | FRESH AIR INTAKE | 12" | - | PIPE |
| A9 | INSTRUMENT AIR SUPPLY | 1" | 3000# | NPT |
| A10 | FUEL GAS INLET | 2" | 150# | RFNPT |
| A11 | START GAS INLET | 2" | 150# | RFNPT |

NOTE:
MUFFLER SUPPORT STEEL
AND BRIDGE CRANE
NOT SHOWN FOR CLARITY

GENERAL NOTES:

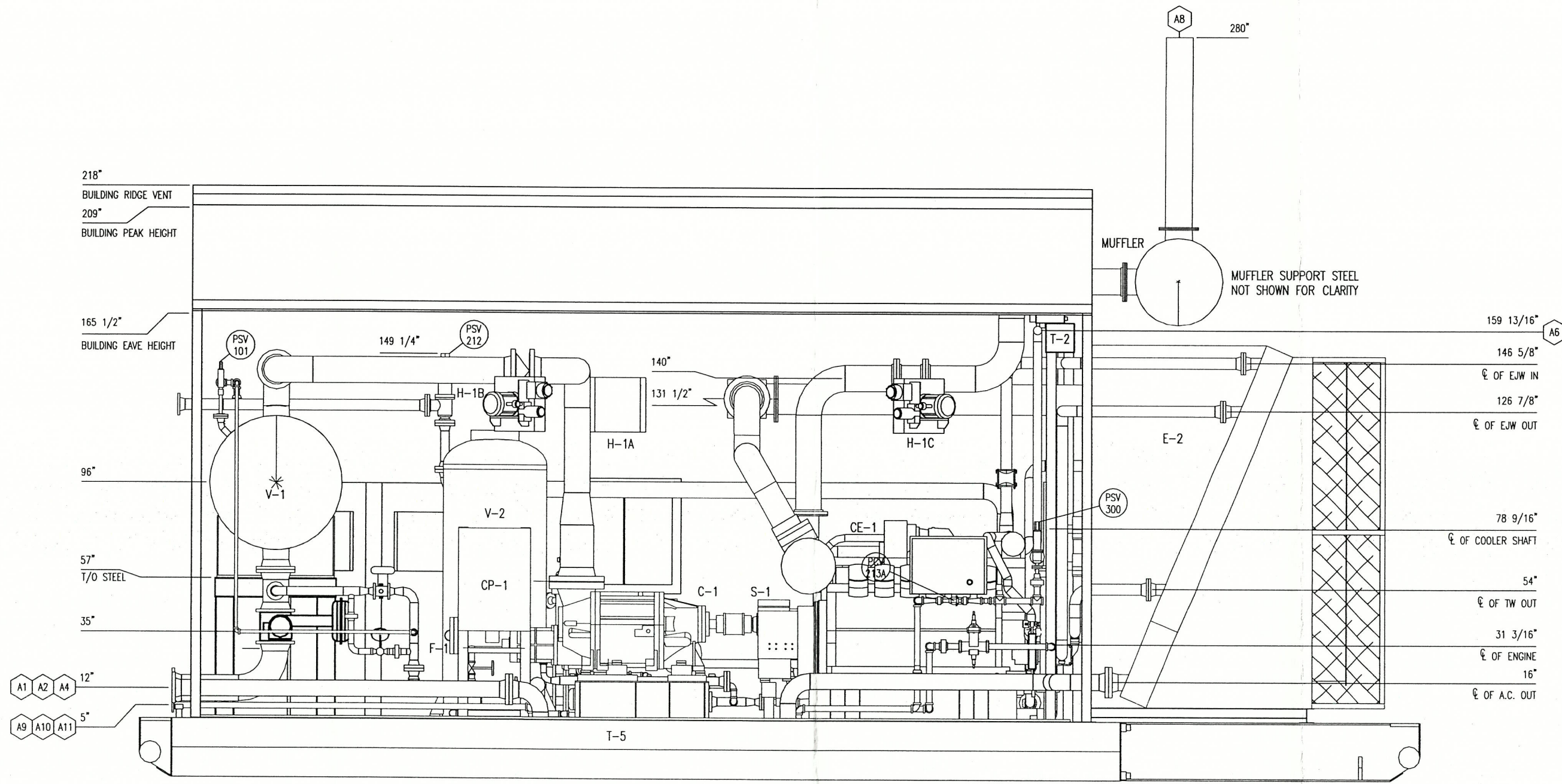
- ALL TAIL DIMENSIONS FROM REFERENCE POINT.
- SHIPPING LENGTH: 532" (44'-4")
SHIPPING WIDTH: 261" (21'-9")
SHIPPING HEIGHT: 243" (20'-3")
- SHIPPING WEIGHT: 141950 (NO FLUIDS)
- OPERATING WEIGHT: 146850 (W/FLUIDS)
- OVERALL SKID DEPTH: 24"
- NOZZLE ELEVATIONS ARE FROM CENTERLINE OF PIPE TO TOP OF BASE (REFERENCE POINT).
- (*) DENOTES ELEVATION FROM FACE OF FLANGE TO TOP OF BASE (REFERENCE POINT).

PLAN VIEW
SCALE: 1/2" = 1'-0"

| | | PERMIT TO PRACTICE STAMP | | ENGINEER STAMP | |
|------|-------------------------|--------------------------|-------|----------------|--|
| 2 | AS BUILT | FEB 01/06 | RH | | |
| 1 | ISSUED FOR CONSTRUCTION | NOV 17/05 | KW GM | | |
| REV. | DESCRIPTION | DATE | BY | APPR. | |

| | | | |
|---|--|--|--|
| | | TITLE: GENERAL ARRANGEMENT PLAN VIEW | |
| FOR: PIONEER 800 HP BOOSTER COMPRESSOR | | DATE: OCT. 21, 2005 | |
| SCALE: 1/2" = 1'-0" | | W.D. No.: 11976201 | |
| W.D. No.: 11976201 | | SHEET No.: 1 OF 4 | |
| REV. No.: 11976-201 | | REV.: 2 | |

THE INFORMATION CONTAINED HEREIN IS THE CONFIDENTIAL PROPERTY OF TOROMONT PROCESS SYS. IT IS NOT FOR PUBLICATION AND NO PART THEREOF SHALL BE COPIED OR COMMUNICATED TO A THIRD PARTY WITHOUT AUTHORIZATION TOROMONT PROCESS SYSTEMS



ELEVATION 'A-A'
SCALE: 1/2" = 1'-0"

| REV. | DESCRIPTION | DATE | BY | APPR. |
|------|-------------------------|-----------|----|-------|
| 2 | AS BUILT | FEB 01/06 | RH | |
| 1 | ISSUED FOR CONSTRUCTION | NOV 17/05 | KW | GM |

PERMIT TO PRACTICE STAMP

ENGINEER STAMP

TOROMONT TOROMONT PROCESS SYSTEMS

DRAWN BY: K. WALTON
CHKD. BY: G. MORRIS
APPR. BY: G. MORRIS

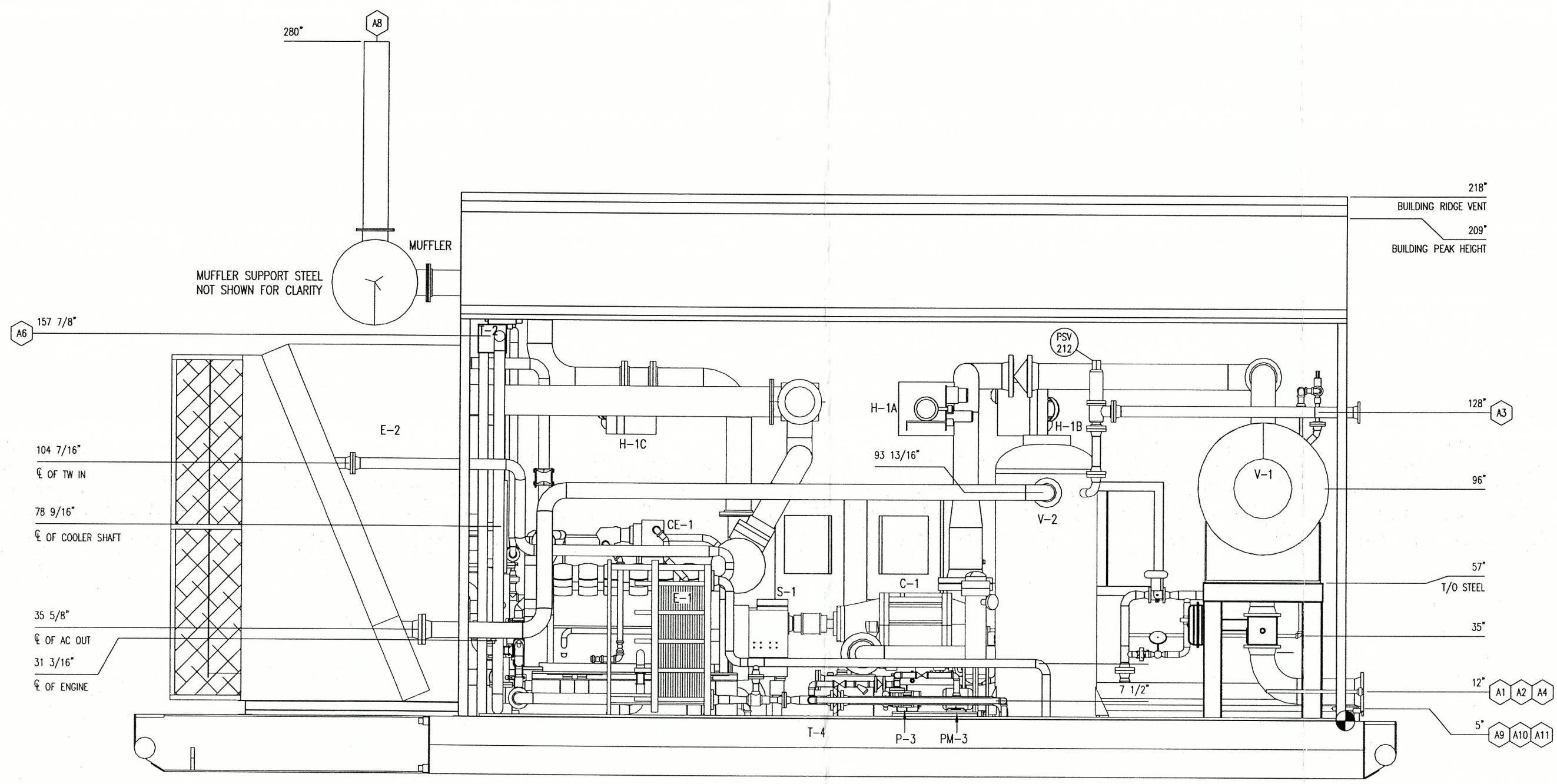
DATE: OCT. 21, 2005
SCALE: 1/2" = 1'-0"
W.O. No: 11976201

TITLE: GENERAL ARRANGEMENT
ELEVATION 'A-A'

FOR: PIONEER
800 HP
BOOSTER COMPRESSOR

CUST. PO No: 11976-201
SHEET No: 2 OF 4
REV: 2

THE INFORMATION CONTAINED HEREIN IS THE CONFIDENTIAL PROPERTY OF TOROMONT PROCESS SYS... IS NOT FOR PUBLICATION, AND NO PART THEREOF SHALL BE COPIED OR COMMUNICATED TO A THIRD PARTY WITHOUT AUTHORIZATION TOROMONT PROCESS SYSTEMS



ELEVATION 'B-B'
SCALE: 1/2" = 1'-0"

| REV. | DESCRIPTION | DATE | BY | APPR. |
|------|-------------------------|-----------|----|-------|
| 2 | AS BUILT | FEB 01/06 | RH | |
| 1 | ISSUED FOR CONSTRUCTION | NOV 17/05 | KW | GM |

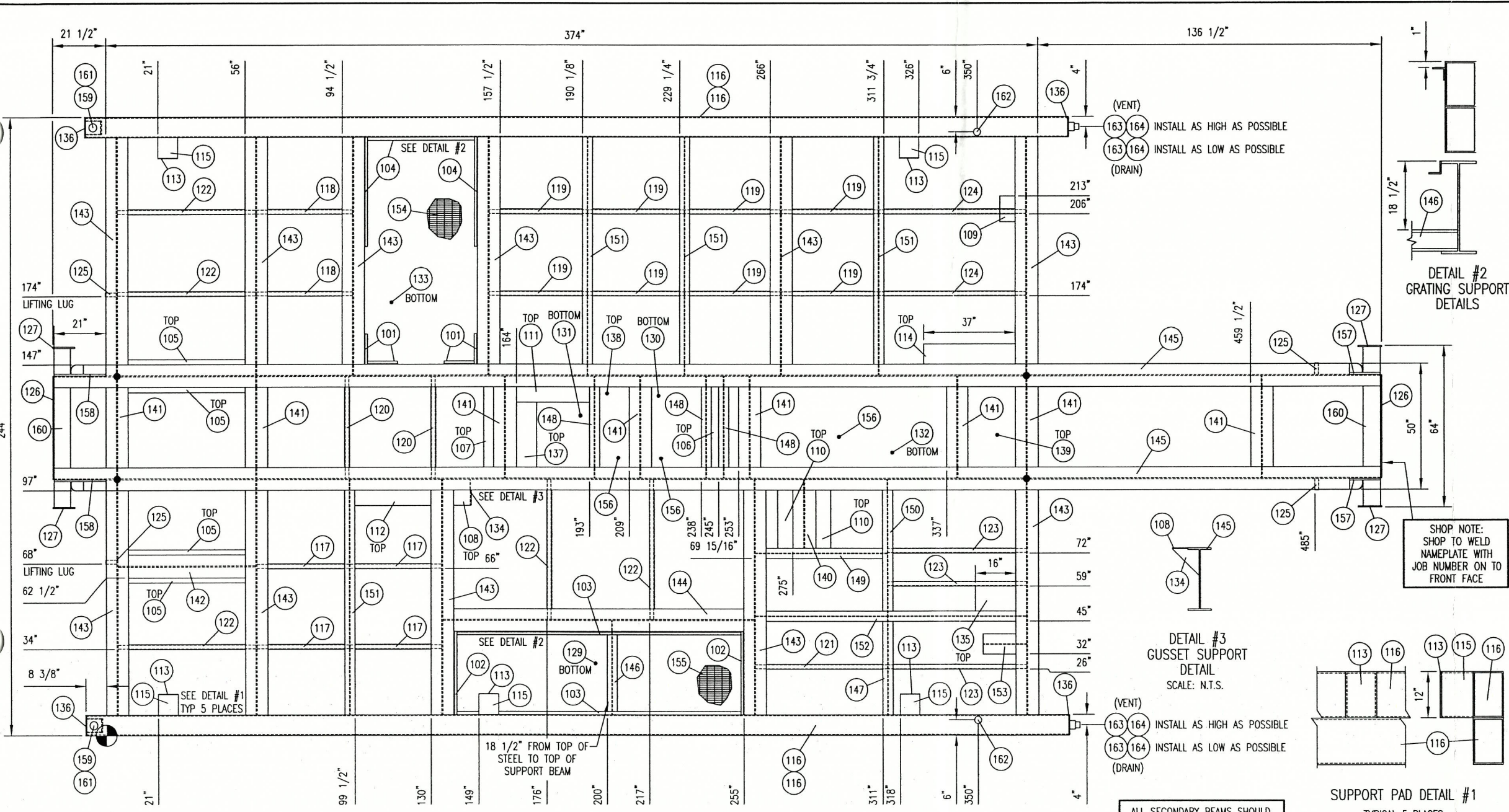
PERMIT TO PRACTICE STAMP

ENGINEER STAMP

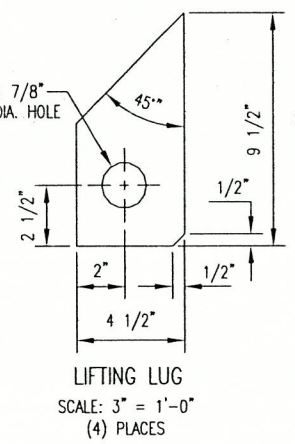
| | |
|---|--|
| TOROMONT TOROMONT PROCESS SYSTEMS | |
| DRAWN BY: K. WALTON CKD. BY: G. MORRIS APPR. BY: G. MORRIS CUST. PO No: | DATE: OCT. 21, 2005 SCALE: 1/2" = 1'-0" W.O. No: 11976201 |

| | |
|-----------|---|
| TITLE: | GENERAL ARRANGEMENT ELEVATION 'B-B' |
| FOR: | PIONEER 800 HP BOOSTER COMPRESSOR |
| DWG. No: | 11976-201 |
| SHEET No: | 3 OF 4 |
| REV: | 2 |

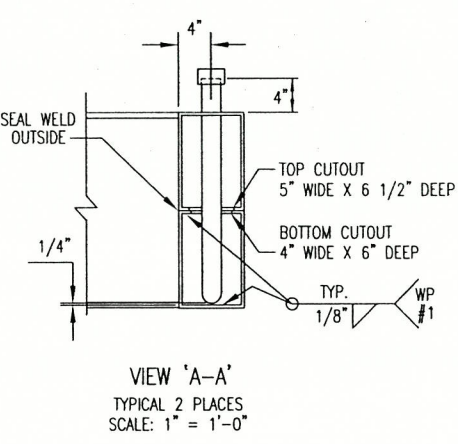
THE INFORMATION CONTAINED HEREIN IS THE CONFIDENTIAL PROPERTY OF TOROMONT PROCESS SYSTEMS. IT IS NOT FOR PUBLICATION, AND NO PART THEREOF SHALL BE COPIED OR COMMUNICATED TO A THIRD PARTY WITHOUT AUTHORIZATION.



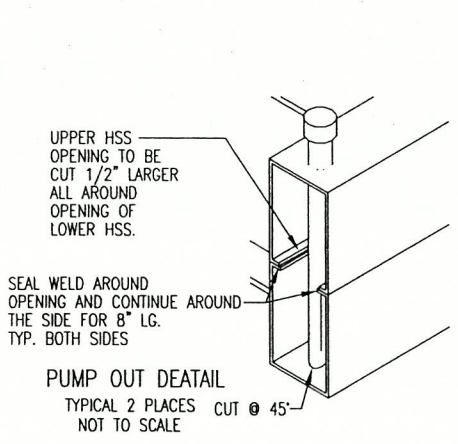
PLAN VIEW



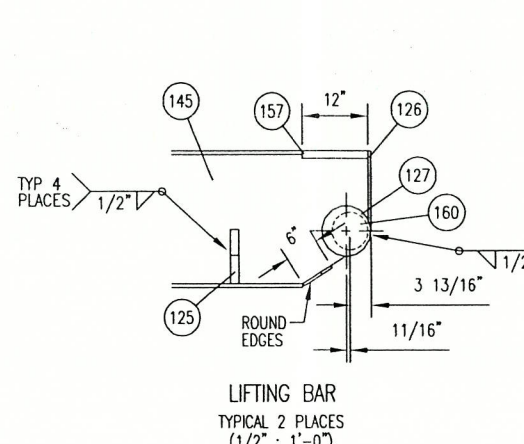
LIFTING LUG
SCALE: 3" = 1'-0"
(4) PLACES



VIEW 'A-A'
TYPICAL 2 PLACES
SCALE: 1" = 1'-0"

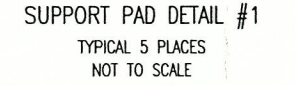


PUMP OUT DETAIL
TYPICAL 2 PLACES
NOT TO SCALE

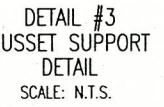


LIFTING BAR
TYPICAL 2 PLACES
(1/2" : 1'-0")

ALL SECONDARY BEAMS SHOULD BE COPED AND FLUSH WITH THE TOP OF STEEL U.O.



SUPPORT PAD DETAIL #1
TYPICAL 5 PLACES
NOT TO SCALE



DETAIL #3
GUSSET SUPPORT
DETAIL
SCALE: N.T.S.

SHOP NOTE:
SHOP TO WELD
NAMEPLATE WITH
JOB NUMBER ON TO
FRONT FACE



DETAIL #2
GRATING SUPPORT
DETAILS

GENERAL NOTES:

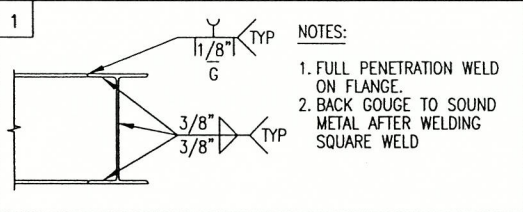
- ALL TAIL DIMENSIONS FROM REFERENCE POINT.
- WEIGHT OF SKID STEEL BASE: 26070 LBS (MILL TOLERANCES & S.F. NOT APPLIED)
WEIGHT OF CONCRETE: 14370 LBS
TOTAL WEIGHT: 40440 LBS
- COPE FLANGES WHERE REQUIRED.
- ALL WELDS TO BE 1/4" FILLETS ALL AROUND, UNLESS OTHERWISE NOTED.
- ALL CUT LENGTHS ARE EXACT TOL +0.0"/-0.125" (+0 MM/-3 MM)
- ALL BOLT HOLES ARE 3/4" (19 MM) UNLESS OTHERWISE NOTED.
- SURFACE PREP: SP2
PRIMER: ONE COAT OF PRI-1 RED OXIDE
PAINT: ONE COAT OF FIN-1
- FULL PENETRATION STRENGTH WELD IS REQ'D AT THESE LOCATIONS.

STEEL BILL OF MATERIAL

| ITEM | QTY | DESCRIPTION | MATERIAL | LENGTH |
|------|------|--|------------|----------|
| 101 | 4 | ANGLE: 1 1/4" X 1 1/4" X 1/4" | G40.2144W | 12 |
| 102 | 2 | ANGLE: 1 1/4" X 1 1/4" X 1/4" | G40.2144W | 33 |
| 103 | 2 | ANGLE: 1 1/4" X 1 1/4" X 1/4" | G40.2144W | 113 1/2 |
| 104 | 3 | ANGLE: 1 1/4" X 1 1/4" X 1/4" | G40.2144W | 42 1/2 |
| 105 | 4 | FLAT BAR: 2" X 1/4" | G40.2144W | 47 |
| 106 | 1 | FLAT BAR: 3" X 3/8" | G40.2144W | 32 |
| 107 | 1 | FLAT BAR: 4" X 3/8" | G40.2144W | 32 |
| 108 | 1 | FLAT BAR: 6" X 3/8" | G40.2144W | 7 |
| 109 | 1 | FLAT BAR: 6" X 3/8" | G40.2144W | 10 |
| 110 | 2 | FLAT BAR: 6" X 3/8" | G40.2144W | 23 |
| 111 | 1 | FLAT BAR: 6" X 3/8" | G40.2144W | 29 |
| 112 | 1 | FLAT BAR: 6" X 3/8" | G40.2144W | 30 1/2 |
| 113 | 5 | FLAT BAR: 8" X 1/4" | G40.2144W | 12 |
| 114 | 1 | FLAT BAR: 8" X 3/8" | G40.2144W | 37 |
| 115 | 5 | H.S.S.: 12" X 8" X 3/8" | G40.21350W | 8 |
| 116 | 4 | H.S.S.: 12" X 8" X 3/8" | G40.21350W | 394 |
| 117 | 4 | H.S.S.: 2" X 2" X 1/4" | G40.21350W | 36 5/8 |
| 118 | 2 | H.S.S.: 2" X 2" X 1/4" | G40.21350W | 38 1/16 |
| 119 | 8 | H.S.S.: 2" X 2" X 1/4" | G40.21350W | 38 13/16 |
| 120 | 2 | H.S.S.: 2" X 2" X 1/4" | G40.21350W | 40 9/16 |
| 121 | 1 | H.S.S.: 2" X 2" X 1/4" | G40.21350W | 53 3/16 |
| 122 | 5 | H.S.S.: 2" X 2" X 1/4" | G40.21350W | 55 9/16 |
| 123 | 3 | H.S.S.: 2" X 2" X 1/4" | G40.21350W | 56 1/8 |
| 124 | 2 | H.S.S.: 2" X 2" X 1/4" | G40.21350W | 59 7/16 |
| 125 | 4 | PLATE: 1 1/2" X 9 1/2" X 4 1/2" | G40.2144W | 9 1/2 |
| 126 | 2 | PLATE: 1/2" X 41" X 14" | G40.2144W | 41 |
| 127 | 4 | PLATE: 1/2" X 9" DIA. | G40.2144W | 9 |
| 128 | - | - | - | - |
| 129 | 1 | PLATE: 3/16" X 116" X 33" | G40.2144W | 116 |
| 130 | 1 | PLATE: 3/16" X 35" X 32" | G40.2144W | 35 |
| 131 | 1 | PLATE: 3/16" X 45" X 32" | G40.2144W | 45 |
| 132 | 1 | PLATE: 3/16" X 75" X 32" | G40.2144W | 75 |
| 133 | 1 | PLATE: 3/16" X 89" X 45" | G40.2144W | 89 |
| 134 | 1 | PLATE: 3/8" X 12" X 12" (C.T.S.) | G40.2144W | 12 |
| 135 | 1 | PLATE: 3/8" X 16" X 9 15/16" | G40.2144W | 16 |
| 136 | 4 | FLAT BAR: 8" X 3/8" | G40.2144W | 24 |
| 137 | 1 | FLAT BAR: 8" X 3/8" | G40.2144W | 26 |
| 138 | 1 | PLATE: 3/8" X 32" X 11 15/16" | G40.2144W | 32 |
| 139 | 1 | PLATE: 3/8" X 32" X 19" | G40.2144W | 32 |
| 140 | 1 | W24X76 | G40.2150W | 27 1/4 |
| 141 | 8 | W24X76 | G40.2150W | 40 9/16 |
| 142 | 1 | W24X76 | G40.2150W | 55 9/16 |
| 143 | 11 | W24X76 | G40.2150W | 93 1/4 |
| 144 | 1 | W24X76 | G40.2150W | 124 9/16 |
| 145 | 2 | W24X76 | G40.2150W | 531 |
| 146 | 1 | W4X13 | G40.2150W | 37 1/4 |
| 147 | 1 | W4X13 | G40.2150W | 38 7/8 |
| 148 | 3 | W4X13 | G40.2150W | 40 9/16 |
| 149 | 1 | W4X13 | G40.2150W | 53 3/16 |
| 150 | 1 | W4X13 | G40.2150W | 54 1/8 |
| 151 | 4 | W4X13 | G40.2150W | 93 1/4 |
| 152 | 1 | W4X13 | G40.2150W | 109 9/16 |
| 153 | 1 | W8X31 | G40.2150W | 17 1/4 |
| 154 | SHOP | GRATING: 1 X 3/16"(19-4) X 14.0 FT2 (C.T.S.) | SA-36 | - |
| 155 | SHOP | GRATING: 1 X 3/16"(19-4) X 26.3 FT2 (C.T.S.) | SA-36 | - |
| 156 | SHOP | CONCRETE: 100 FT3 | - | - |

PIPING BILL OF MATERIAL

| ITEM | QTY | DESCRIPTION | SIZE | LENGTH |
|------|-----|--|--------|--------|
| 157 | 1 | PIPE, XS WT, SMLS SA-106-B (CUT IN HALF) | 1" | 12 |
| 158 | 1 | PIPE, XS WT, SMLS SA-106-B (CUT IN HALF) | 1" | 21 |
| 159 | 2 | PIPE, STD WT, SMLS SA-106-B | 2" | 27 1/2 |
| 160 | 2 | PIPE, NOM XS WT, SMLS SA-106-B | 6" | 63 |
| 161 | 2 | CAP, THD, 3000#, SA-105 | 2" | - |
| 162 | 2 | COUPLING, THD, 3000#, SA-105 | 1 1/2" | - |
| 163 | 4 | COUPLING, THD, 3000#, SA-105 | 2" | - |
| 164 | 4 | HEX HEAD PLUG, THD, 3000#, SA-105 | 2" | - |



- NOTES:
- FULL PENETRATION WELD ON FLANGE.
 - BACK GOUGE TO SOUND METAL AFTER WELDING SQUARE WELD

| REV. | DESCRIPTION | DATE | BY | APPR. |
|------|------------------------|-----------|----|-------|
| 2 | AS BUILT | FEB 01/06 | RH | |
| 1 | ISSUED FOR INFORMATION | OCT 24/05 | KW | GM |

| | |
|--------------------------|----------------|
| PERMIT TO PRACTICE STAMP | ENGINEER STAMP |
|--------------------------|----------------|

TOROMONT TOROMONT PROCESS SYSTEMS

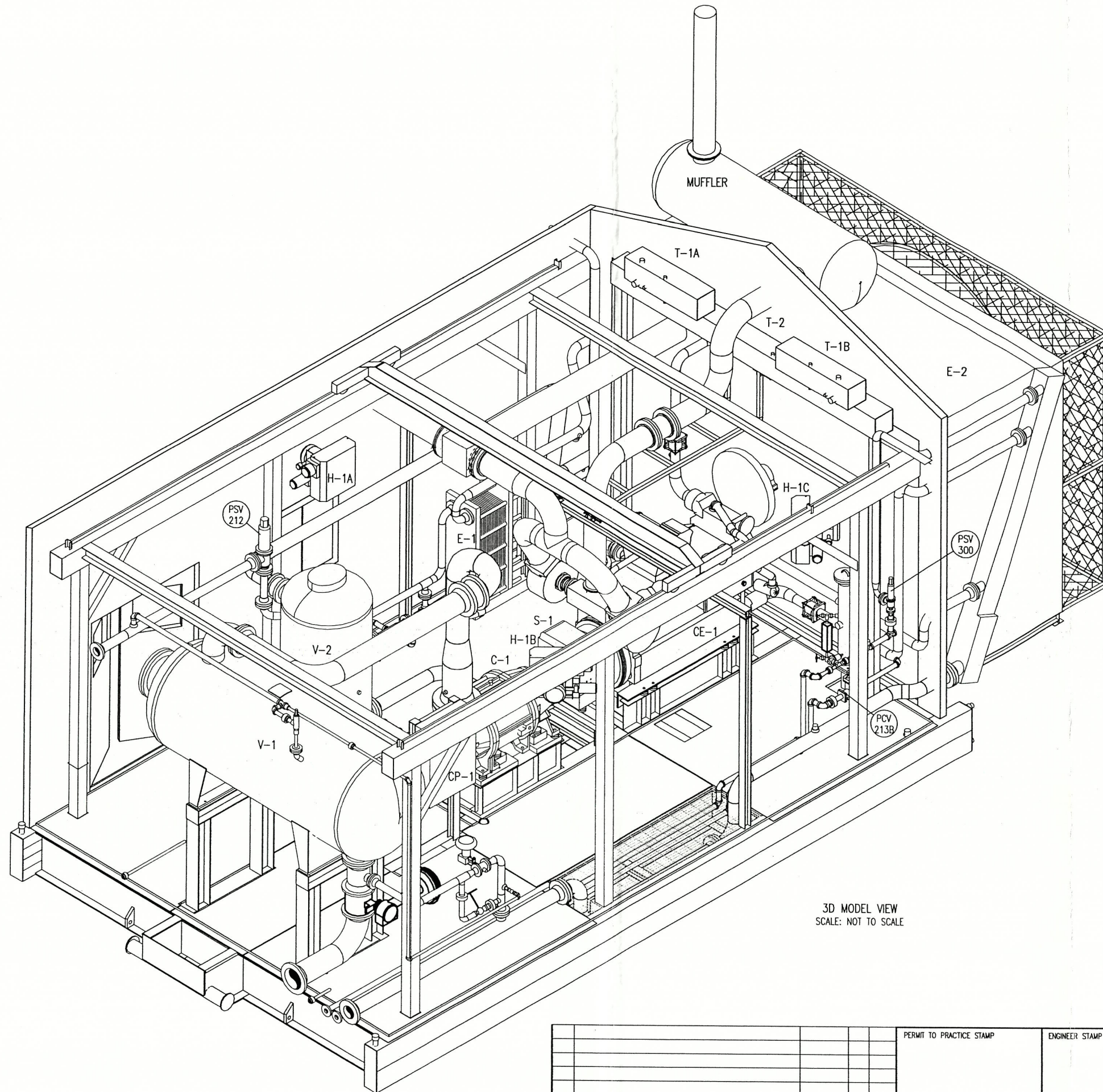
DRAWN BY: K. WALTON
CHKD. BY: G. MORRIS
APPR. BY: G. MORRIS

DATE: OCT. 21, 2005
SCALE: 1/2" = 1'-0"
W.O. No: 11976301

TITLE: STRUCTURAL STEEL LAYOUT & DETAILS

FOR: PIONEER 800 HP BOOSTER COMPRESSOR

DWG. No: 11976-301
SHEET No: 1 of 9
REV: 2



3D MODEL VIEW
SCALE: NOT TO SCALE

| REV. | DESCRIPTION | DATE | BY | APPR. |
|------|-------------------------|-----------|----|-------|
| 2 | AS BUILT | FEB 01/06 | RH | |
| 1 | ISSUED FOR CONSTRUCTION | NOV 17/05 | KW | GM |

PERMIT TO PRACTICE STAMP

ENGINEER STAMP

| | | | |
|------------------------|------------------------|------------------------|---|
| | DRAWN BY: K. WALTON | DATE: OCT. 21, 2005 | TITLE: 3D MODEL VIEW |
| | CHKD. BY: G. MORRIS | SCALE: 1/2" = 1'-0" | FOR: PIONEER 800 HP BOOSTER COMPRESSOR |
| APPR. BY: G. MORRIS | W.D. No: 11976201 | DWG. No: 11976-201 | SHEET No: 4 OF 4 |
| CUST. PO No: | REV: 2 | | |